

BIONICLE™

www.bionicle.com



8593

МАКУТА


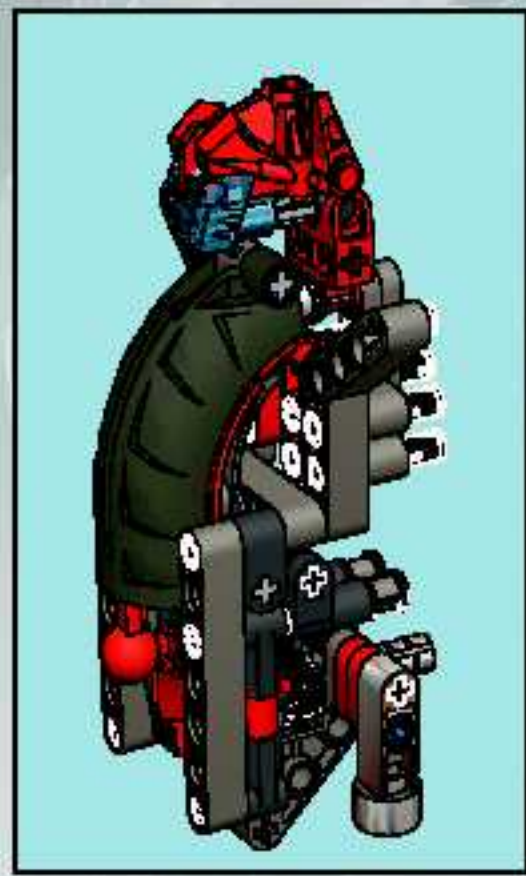




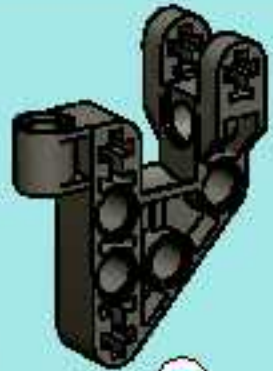
BIONICLE



1

8593

1:1


1x  3

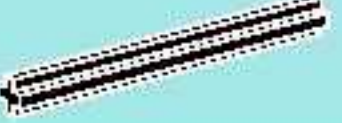
1x  1x 

1

1x  1x 

2

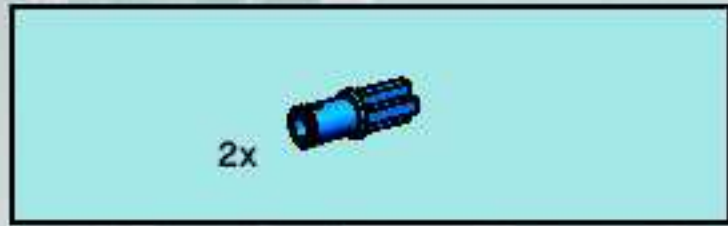
1x  6

1x 

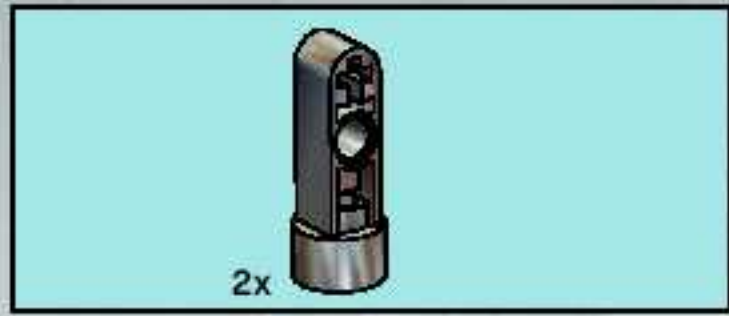
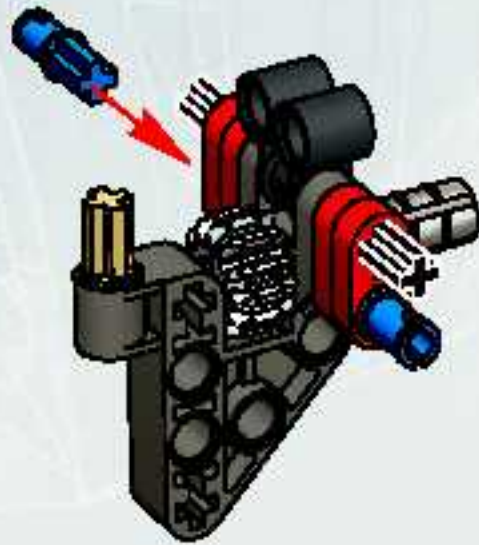
3



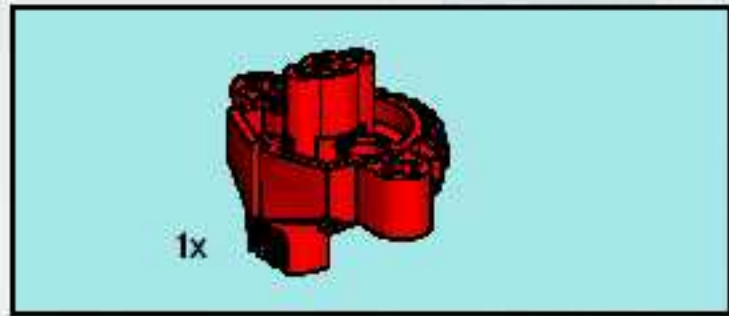
4



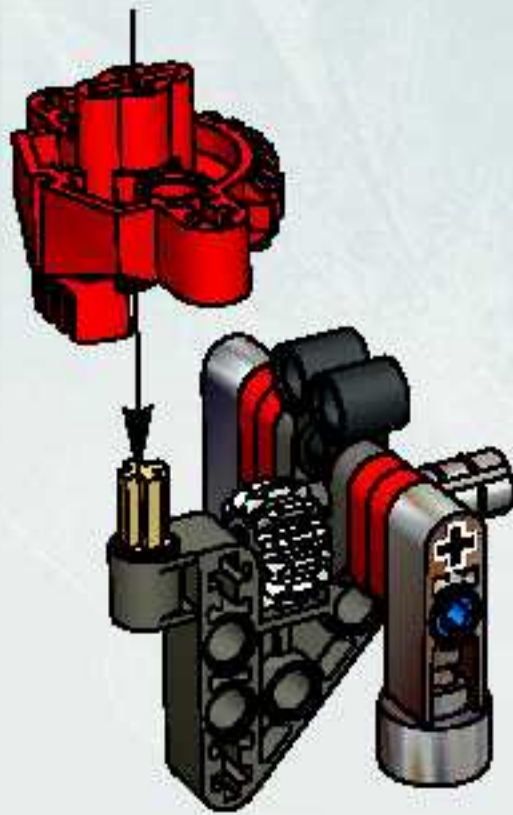
5

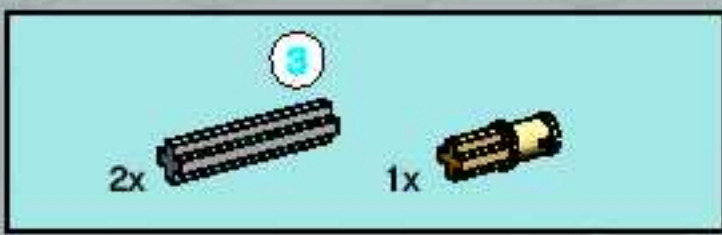


6

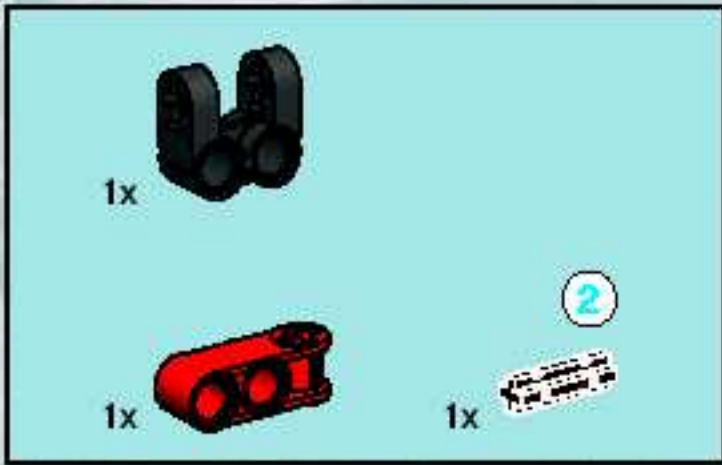
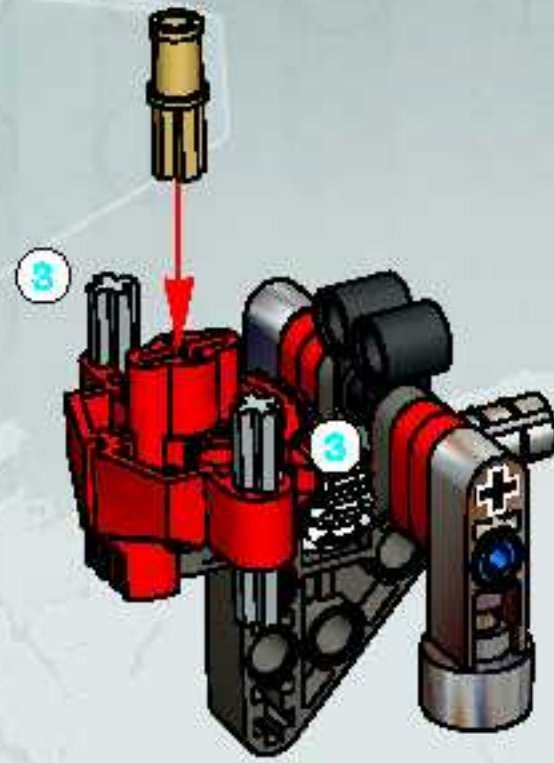


7

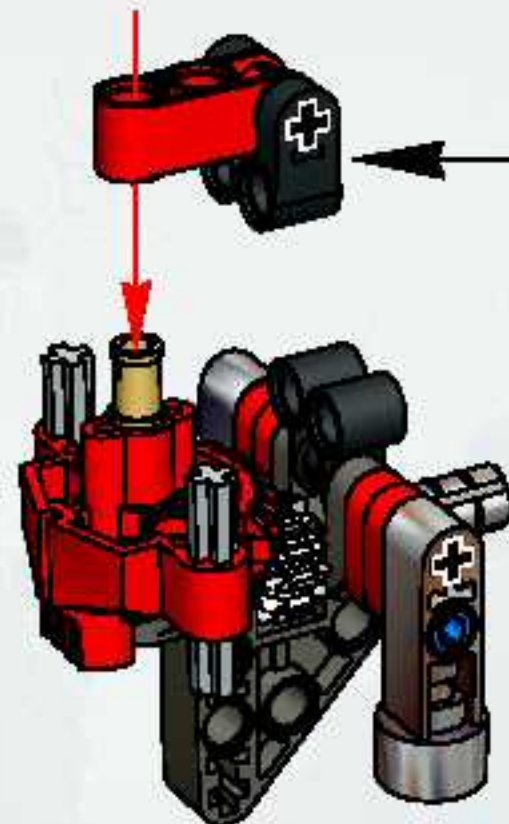
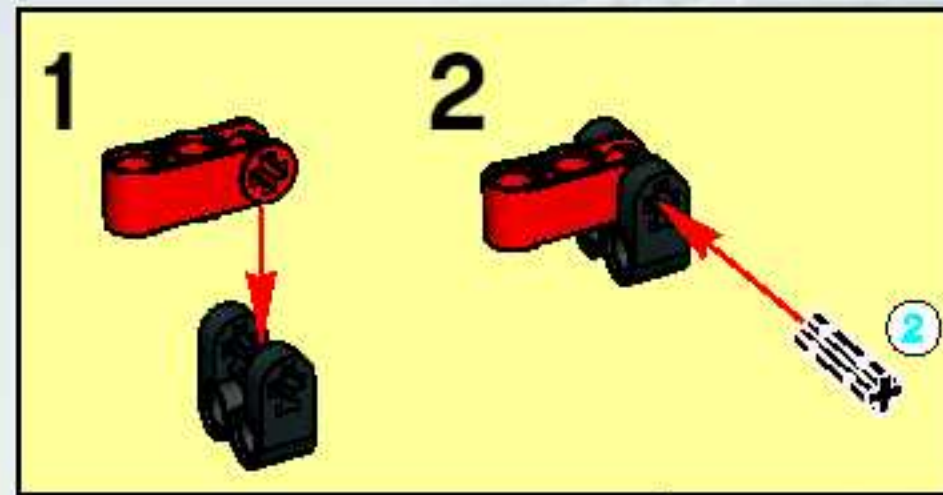




8



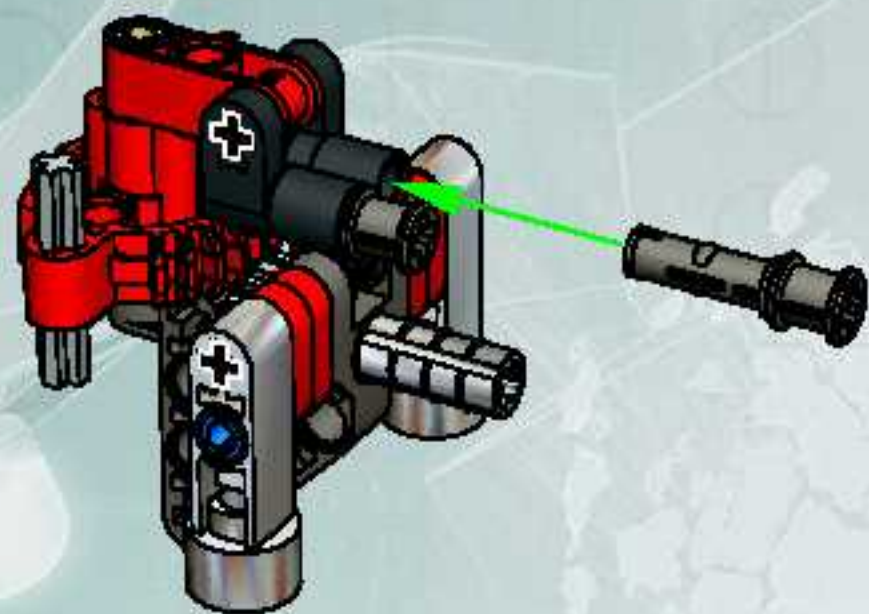
9



2x



10



4x



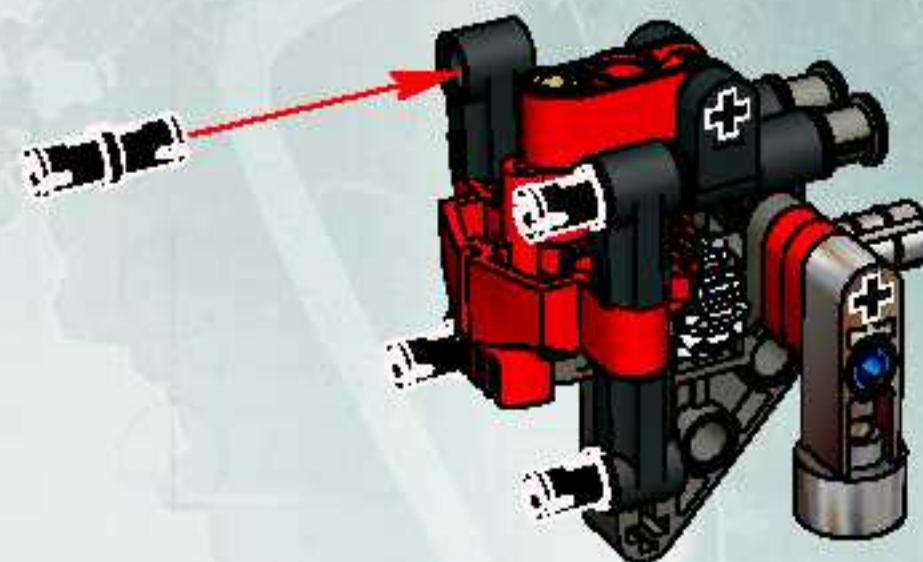
11

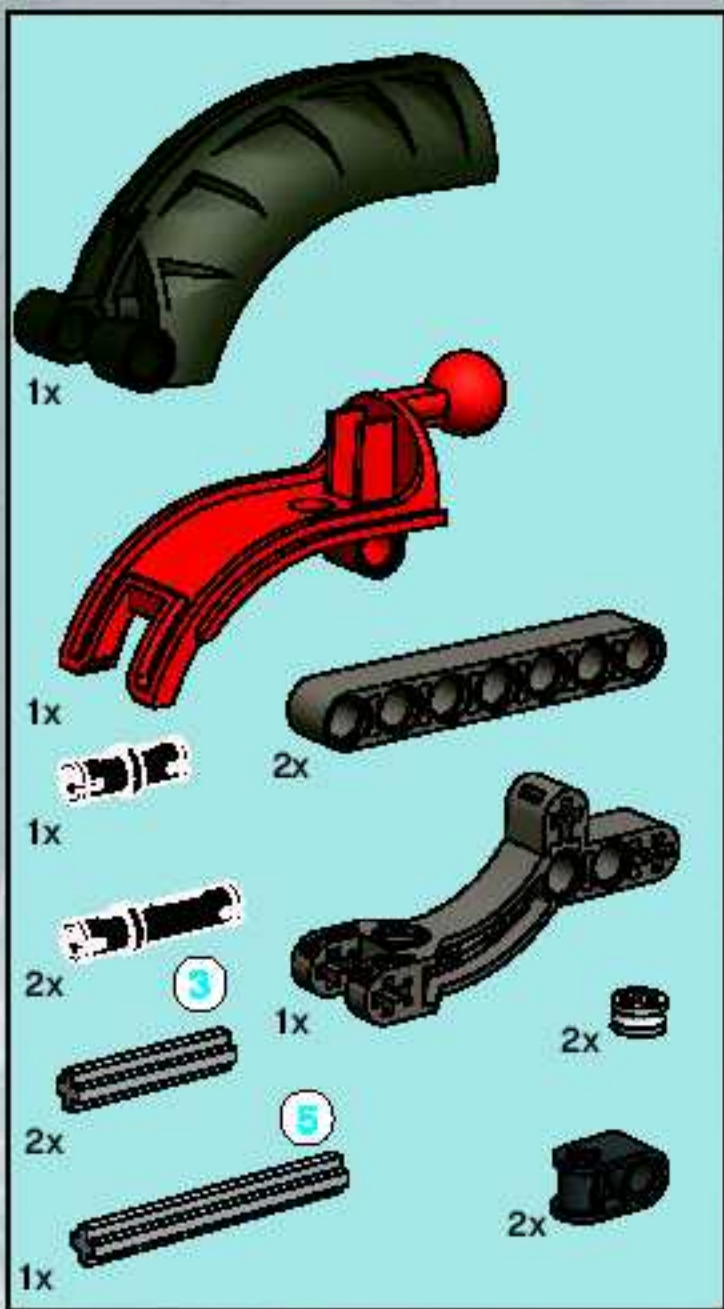


4x

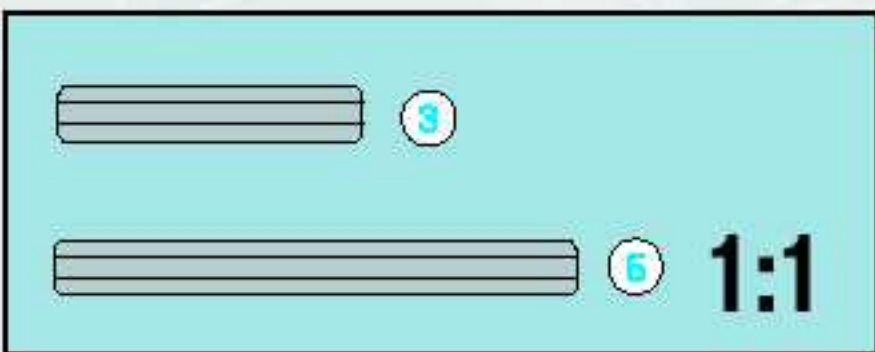


12

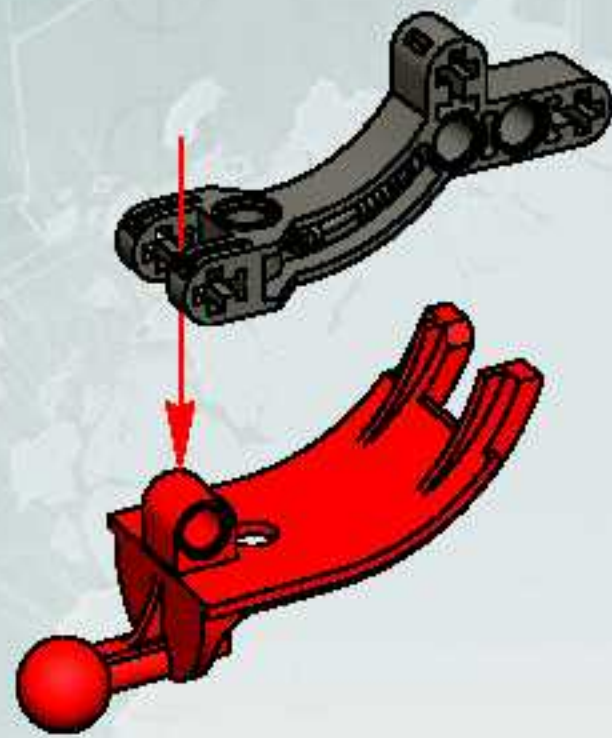




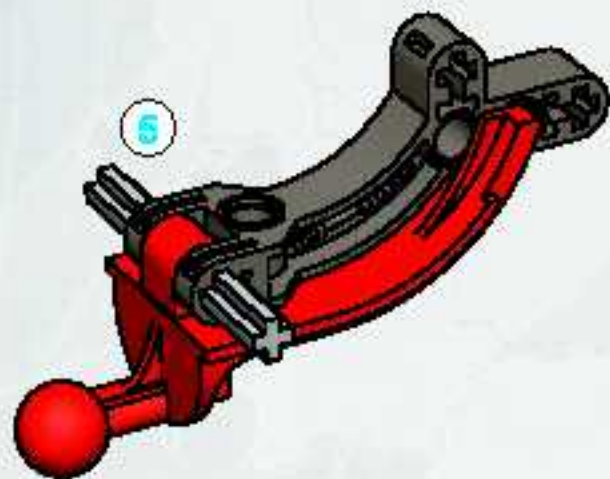
13



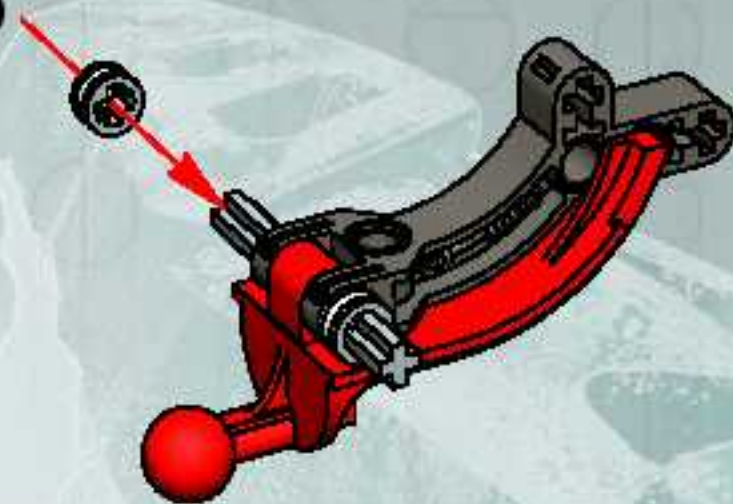
1



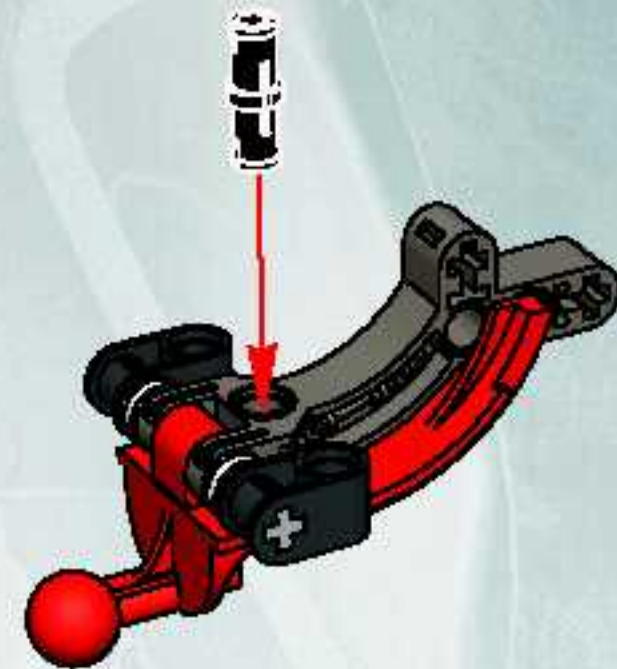
2



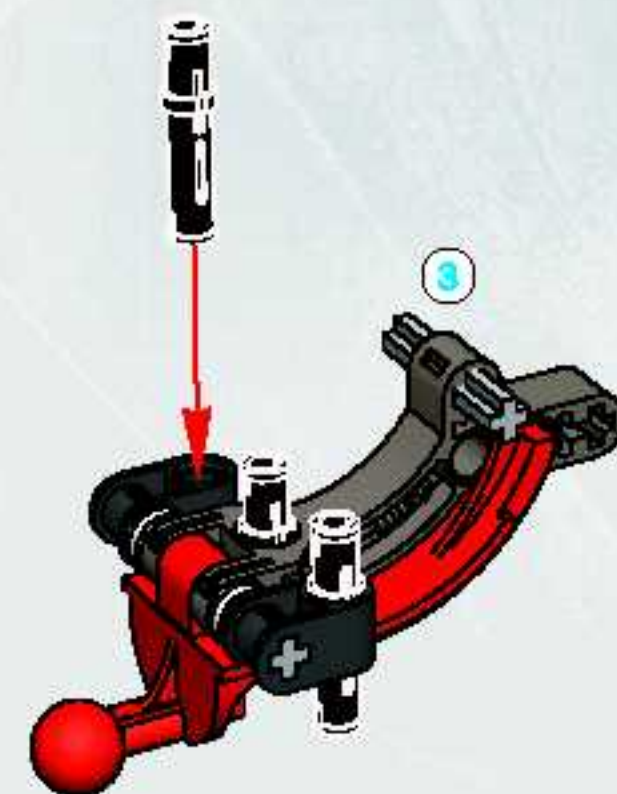
3



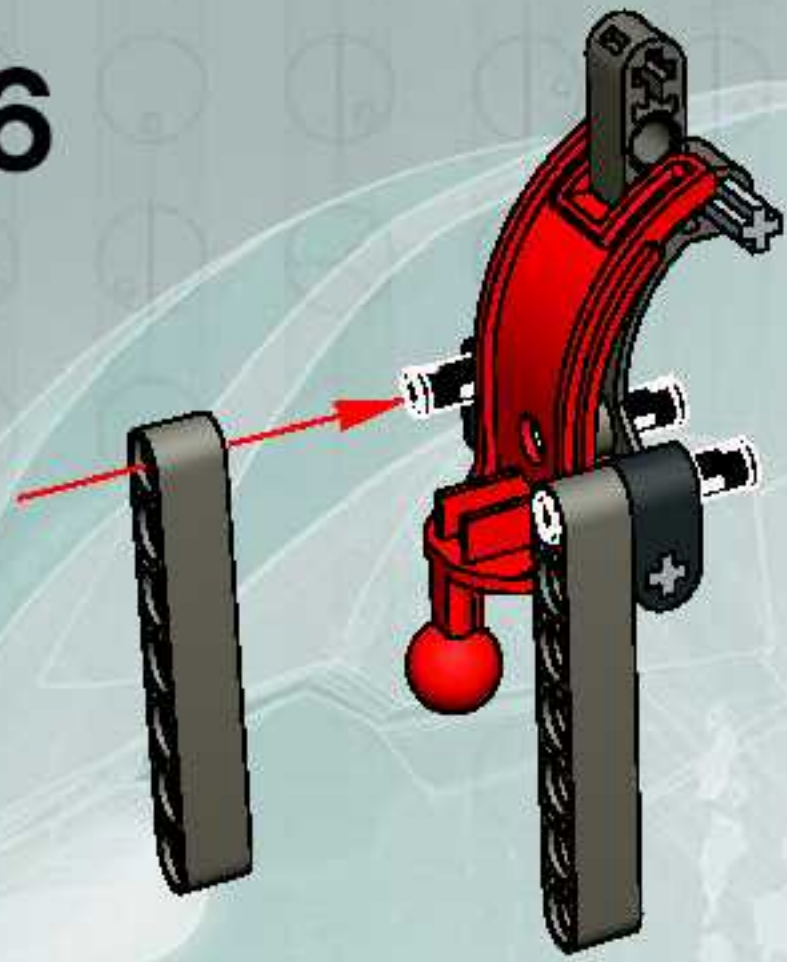
4



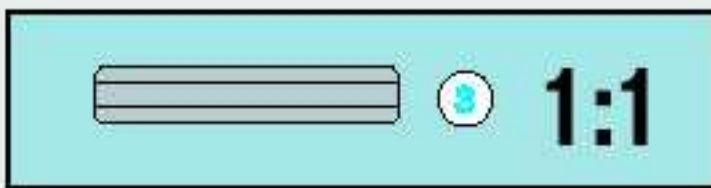
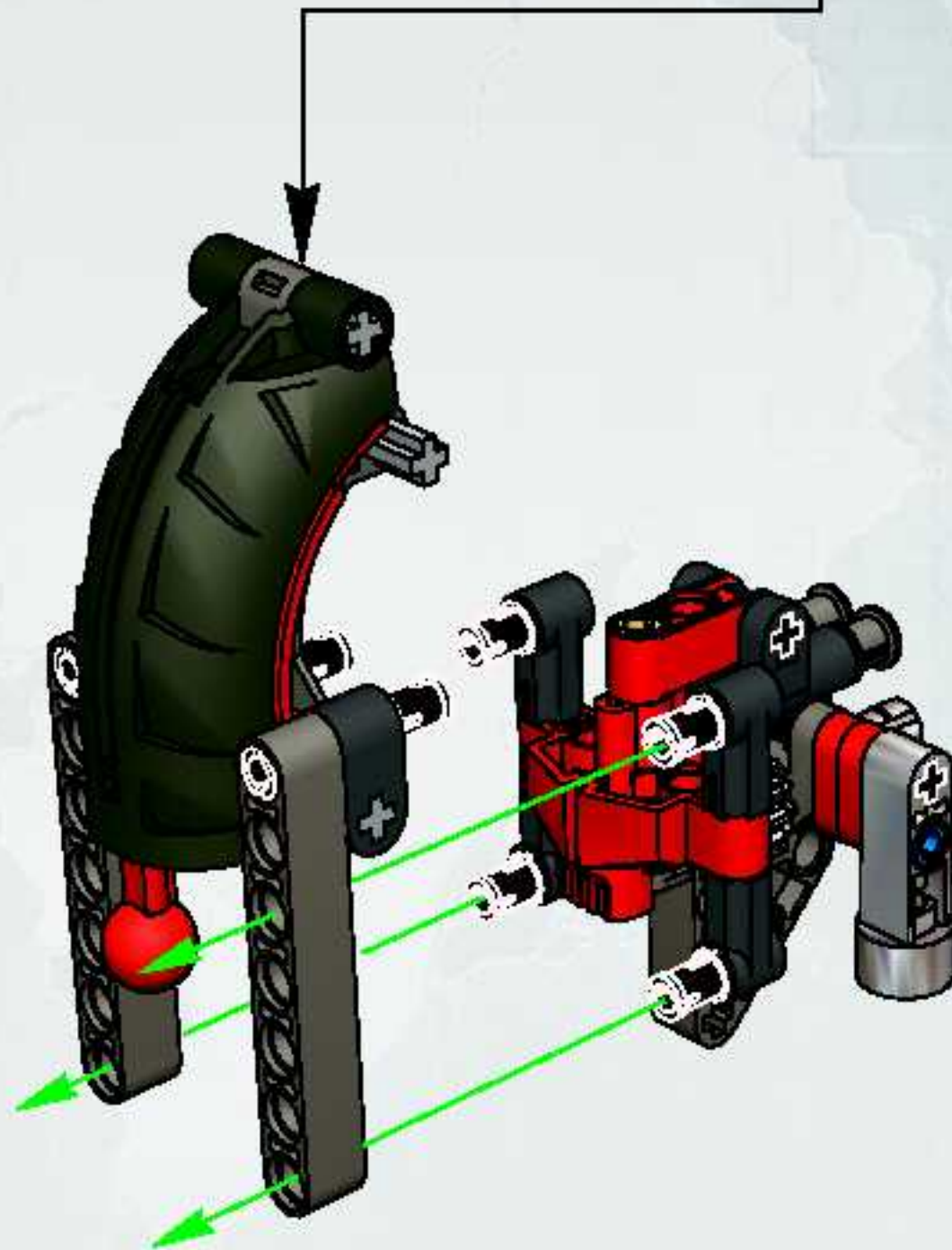
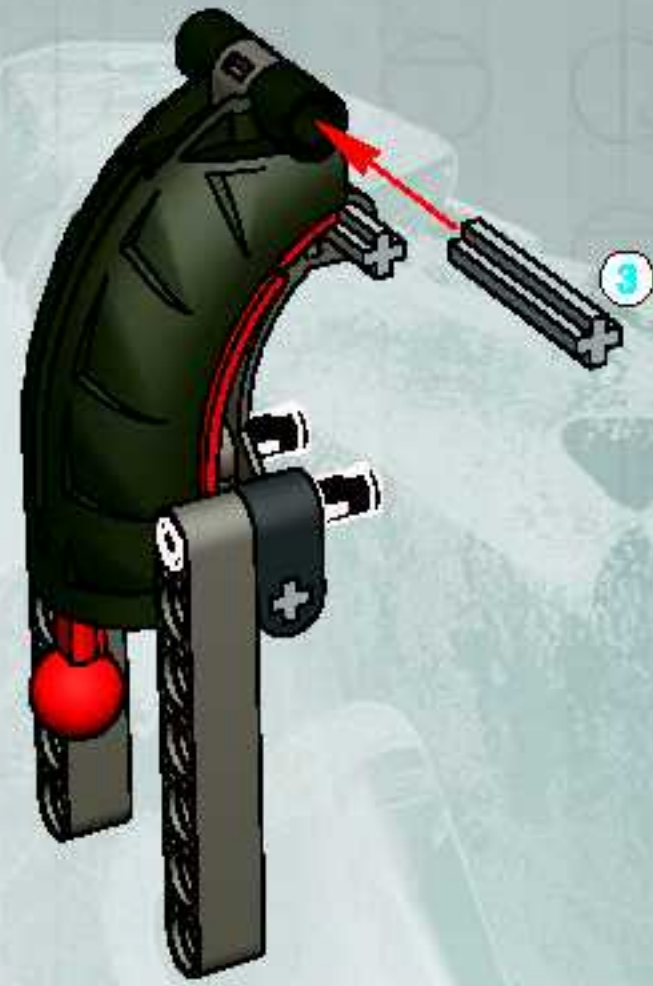
5

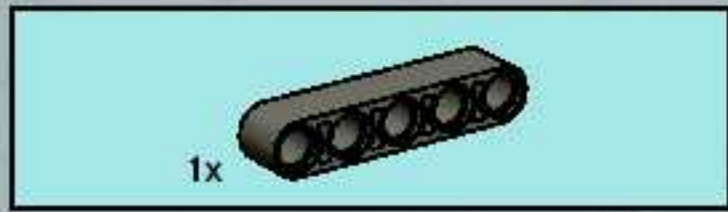


6

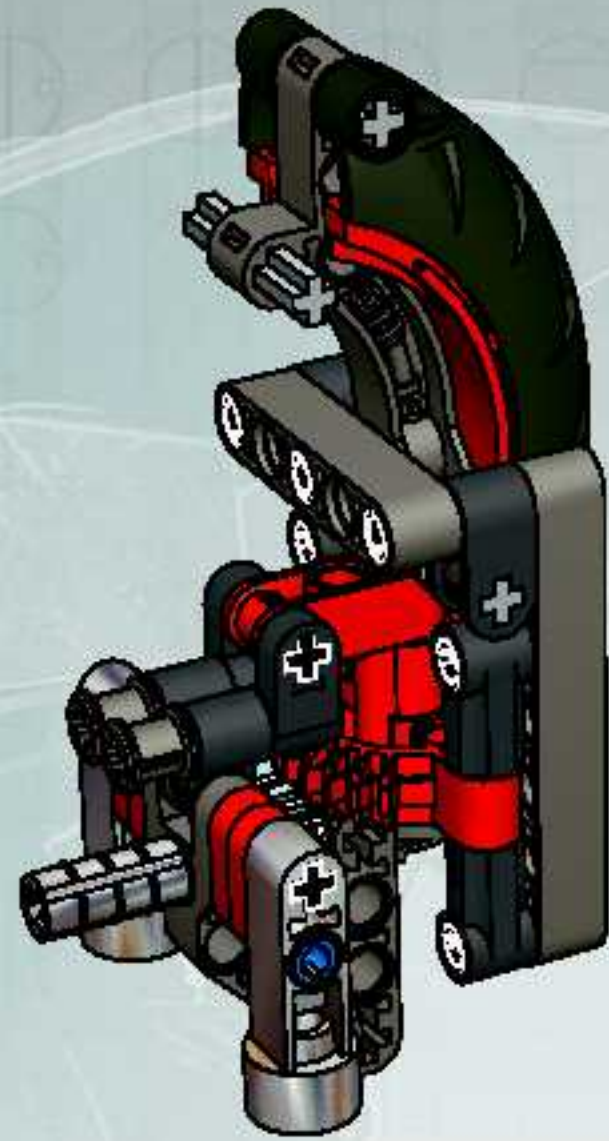


7

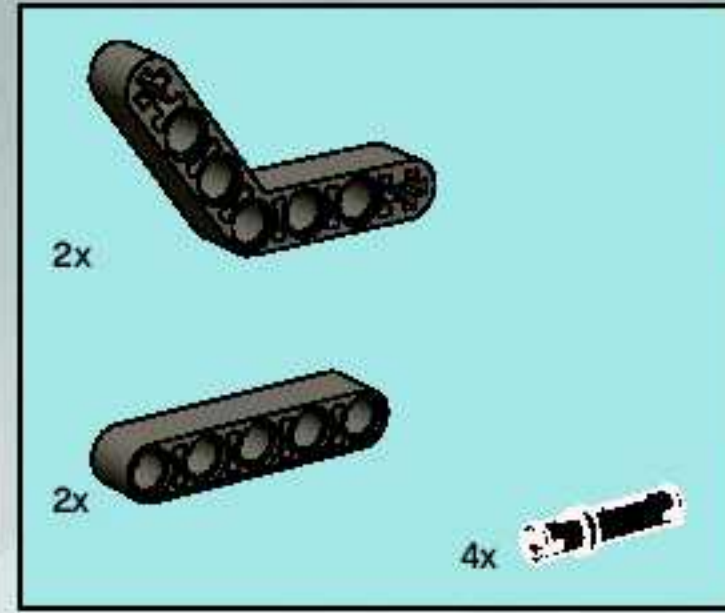
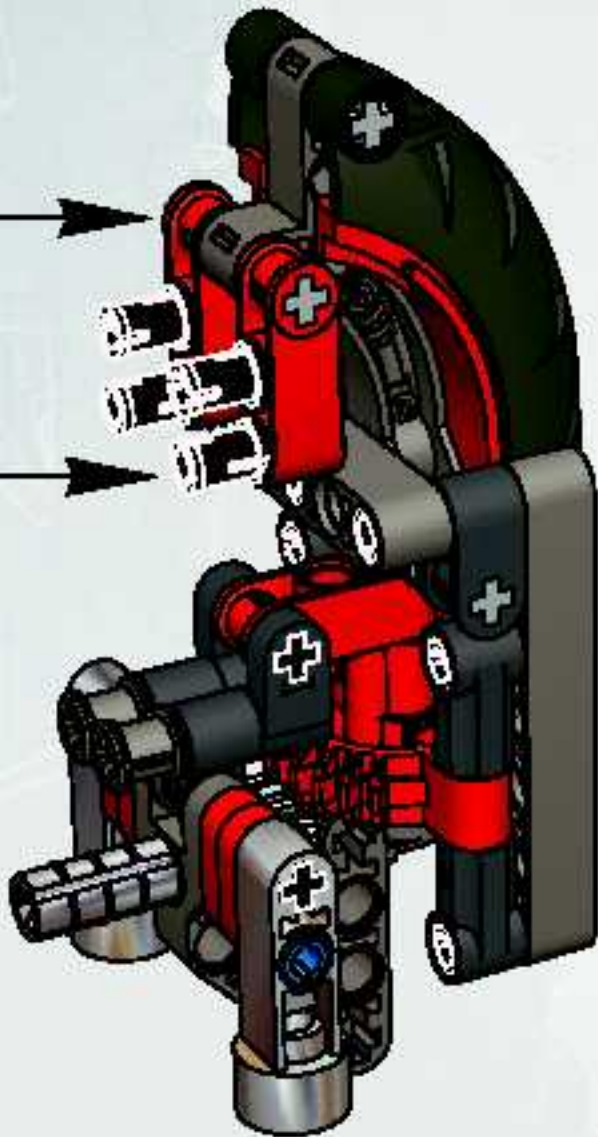
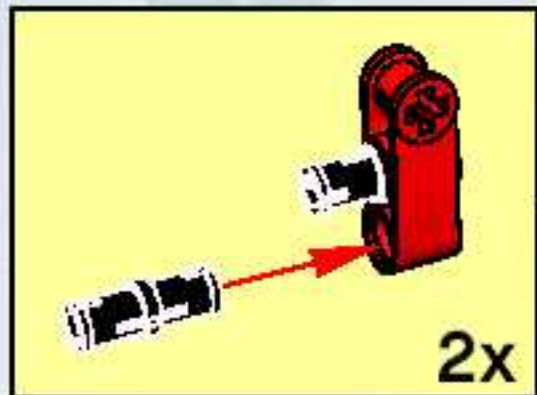




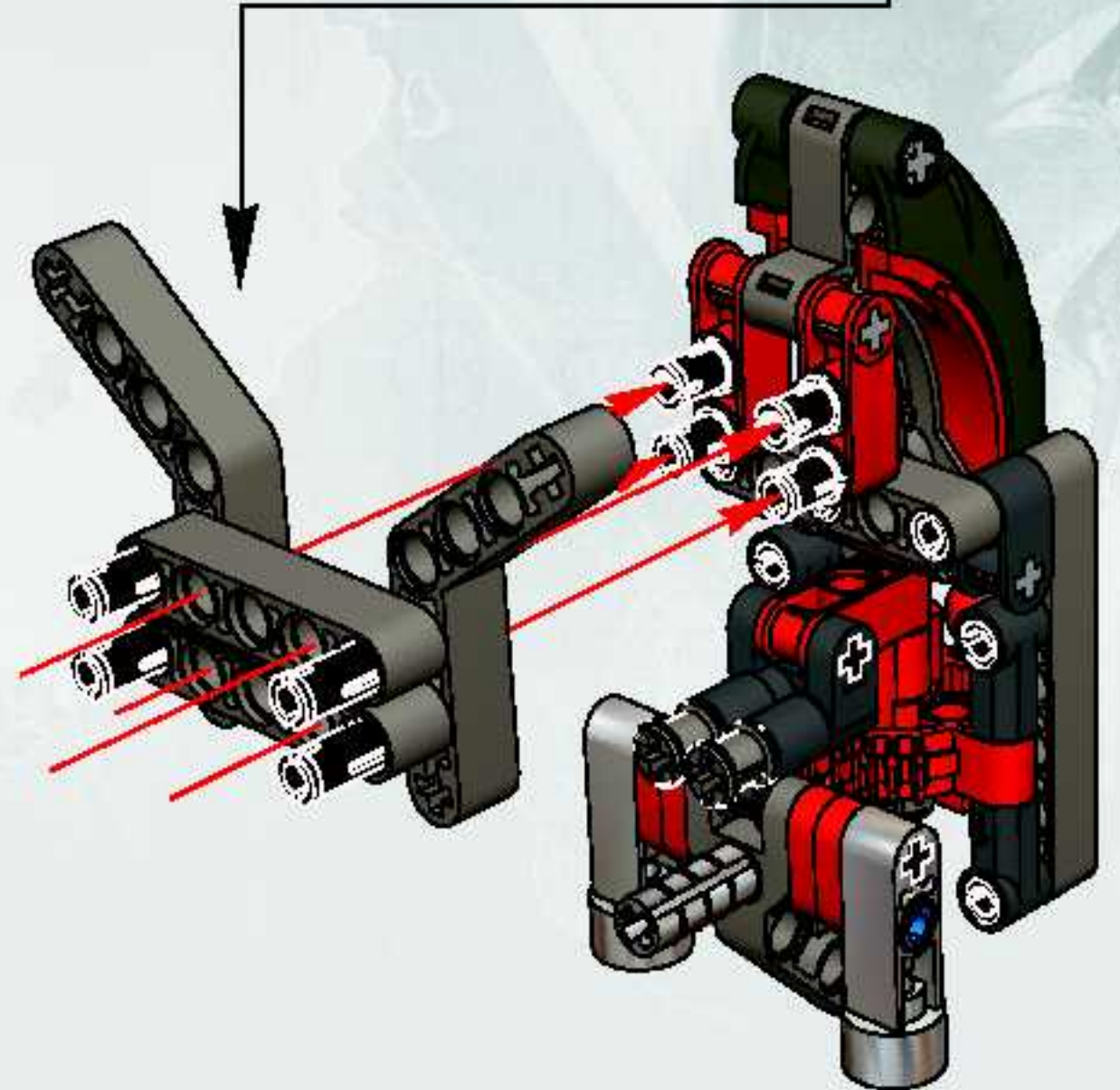
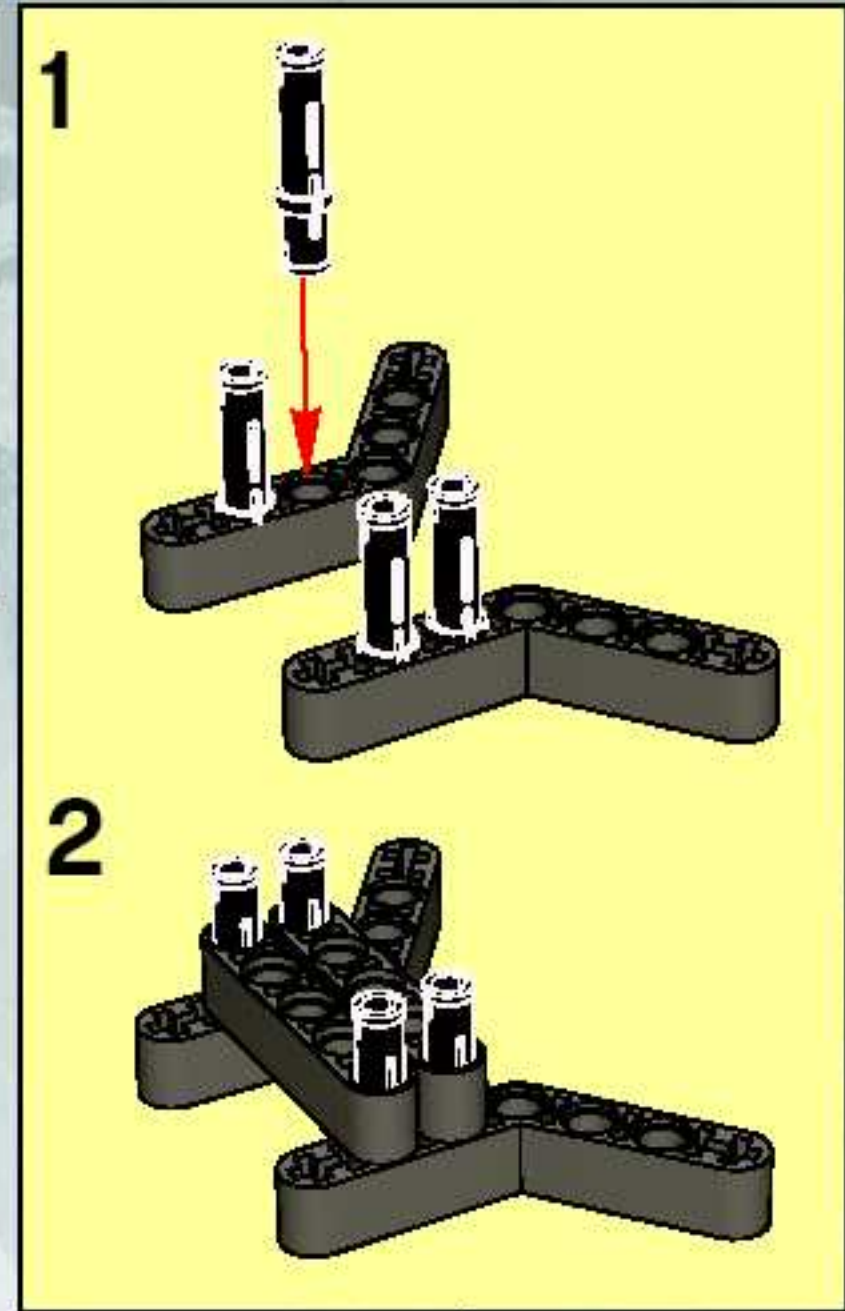
14

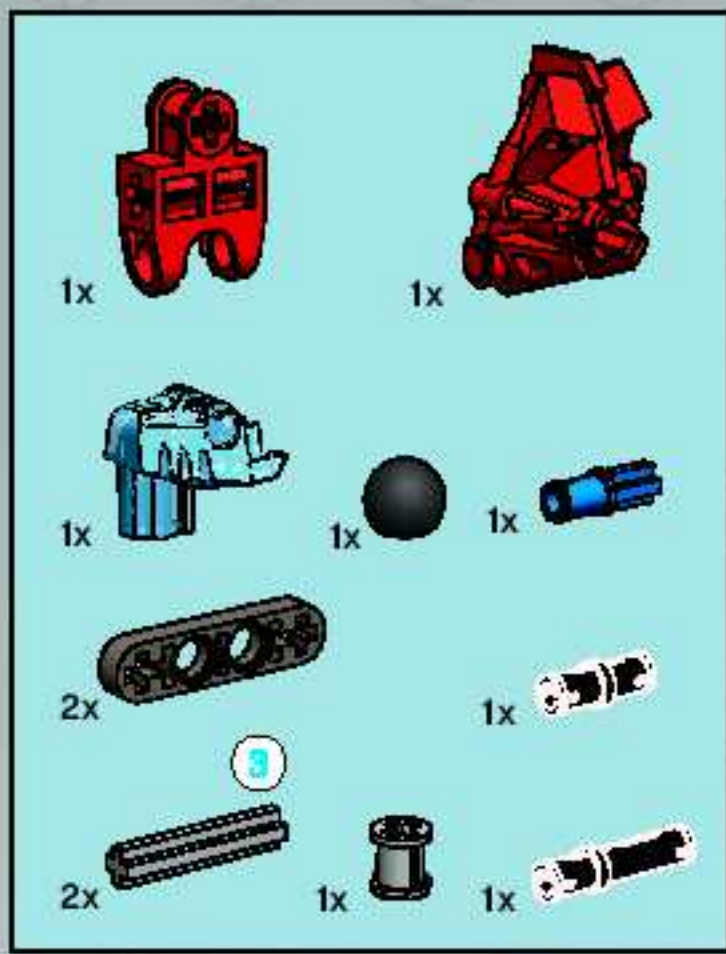


15

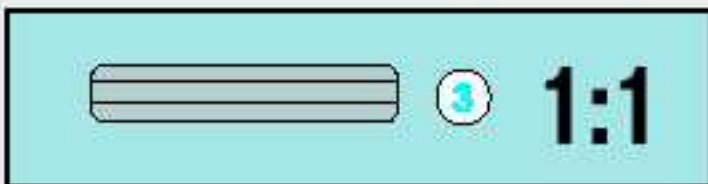
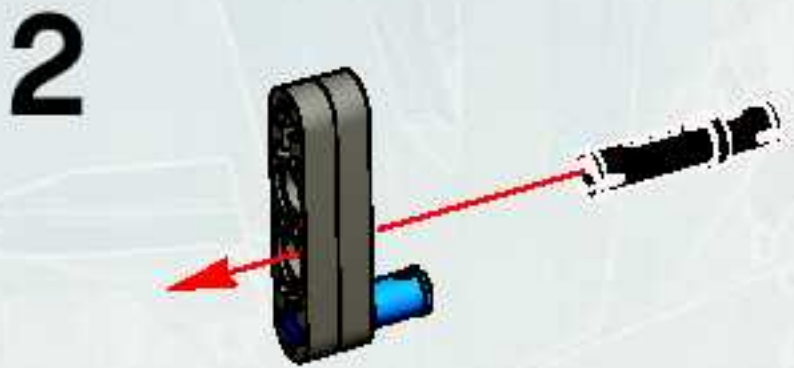
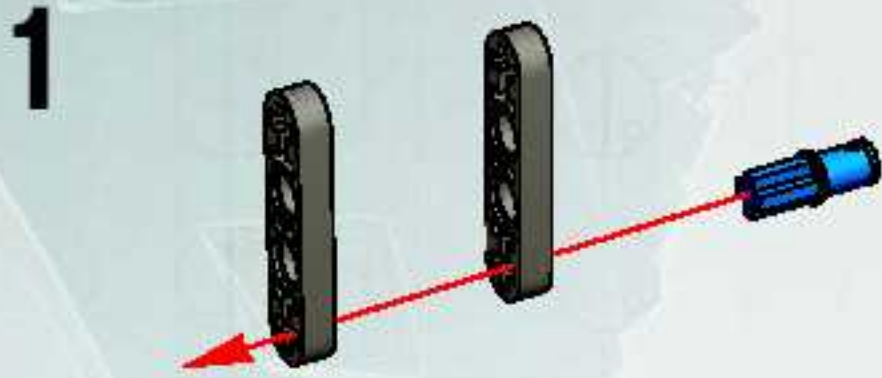


16

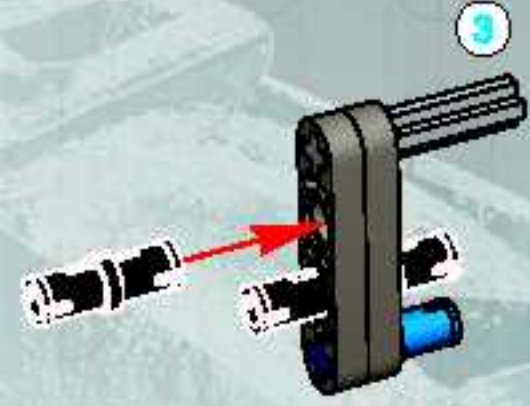




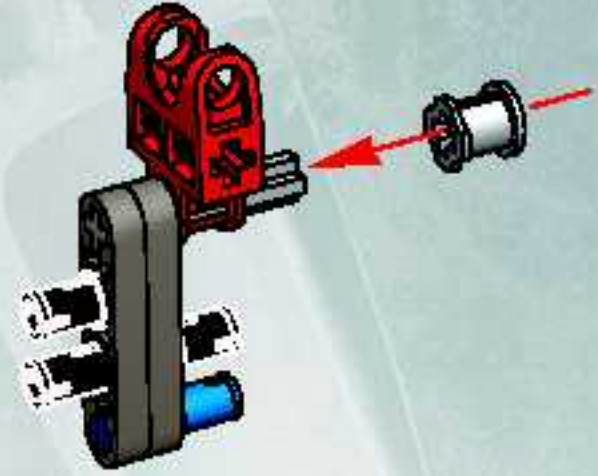
17



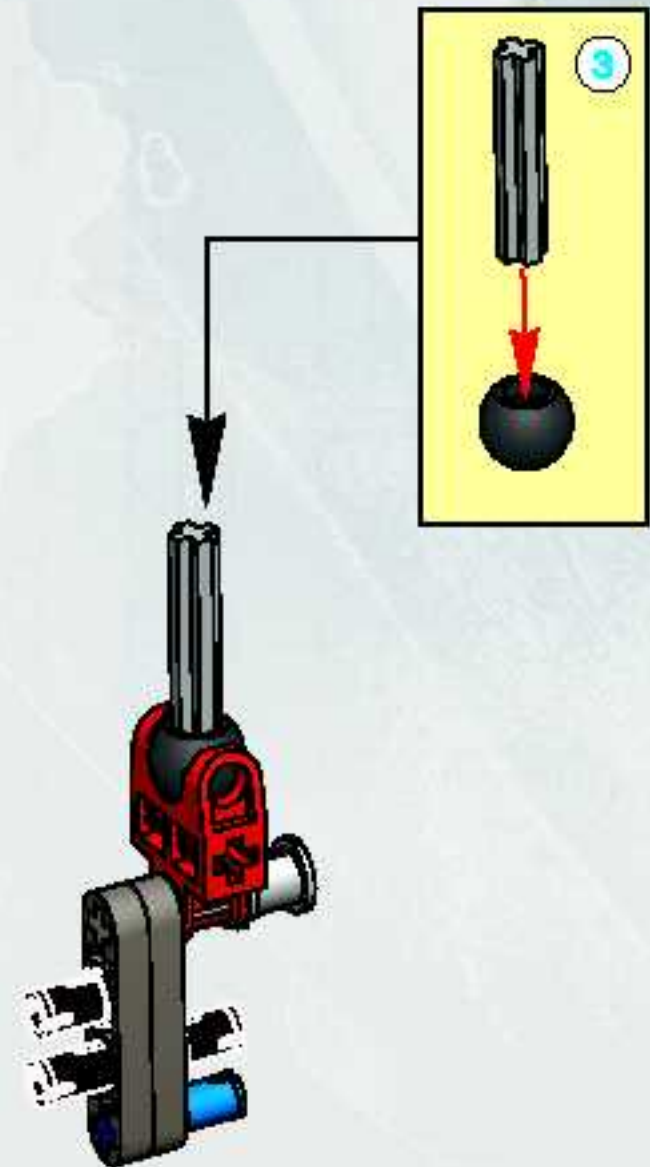
3



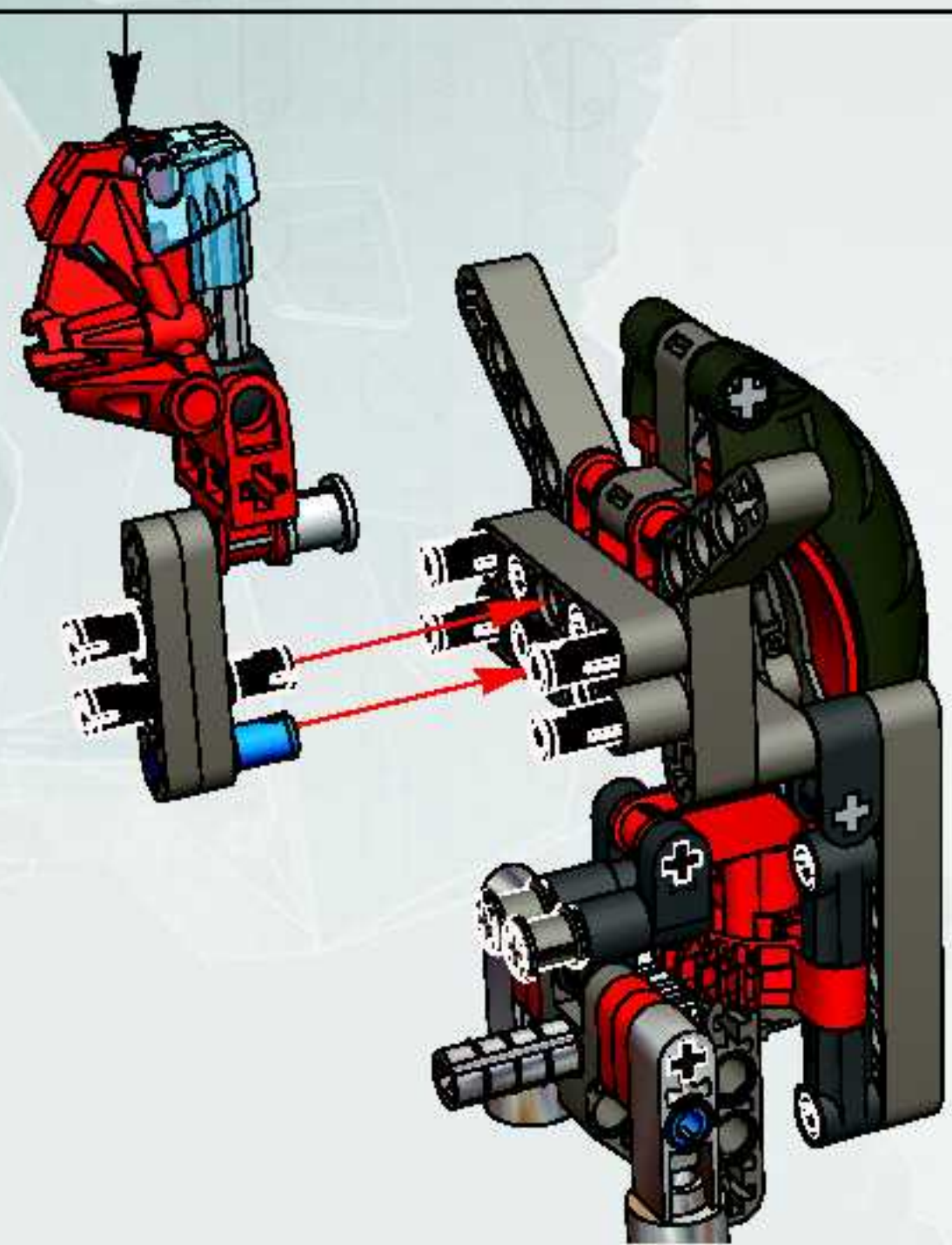
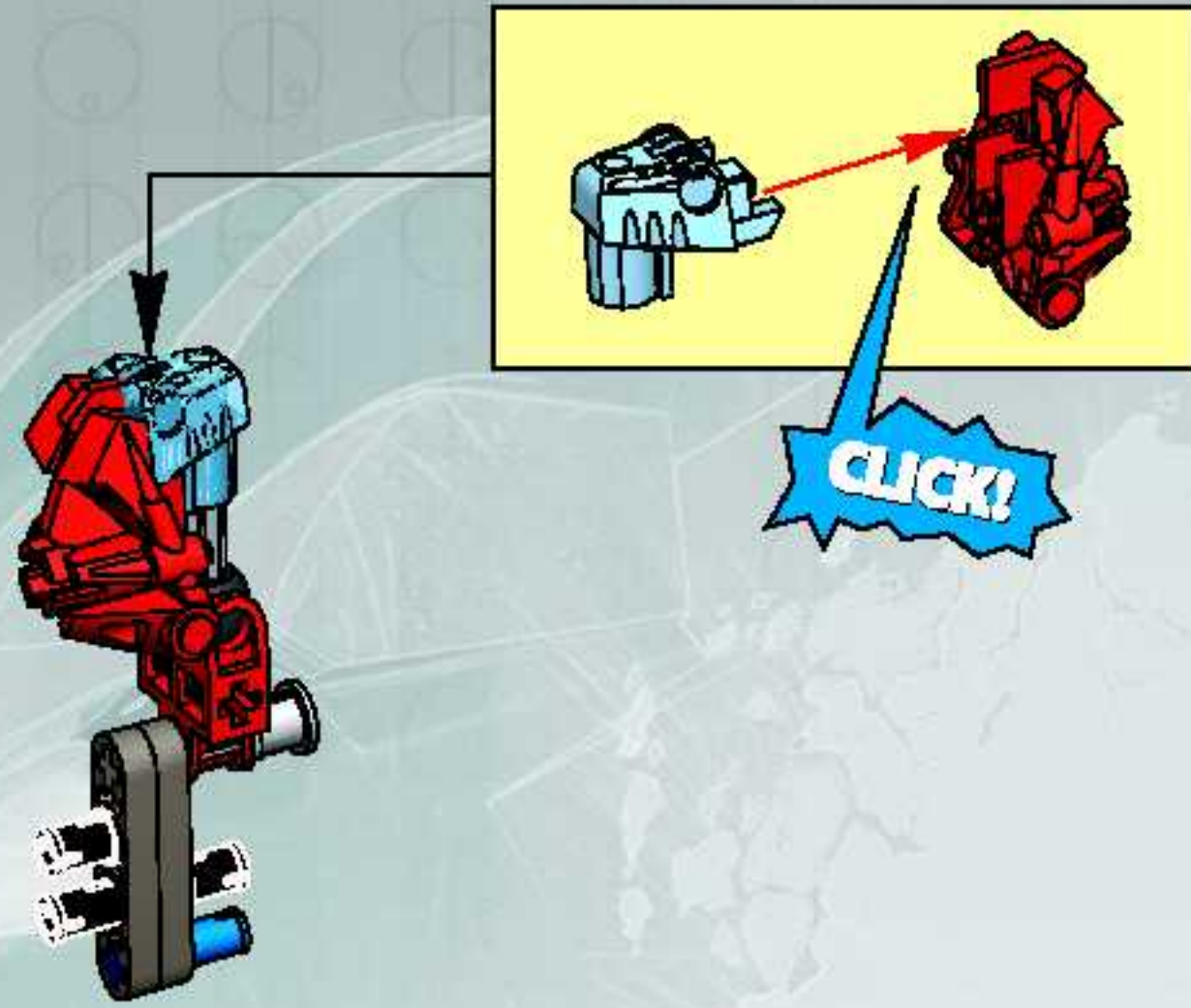
4



5



6



18

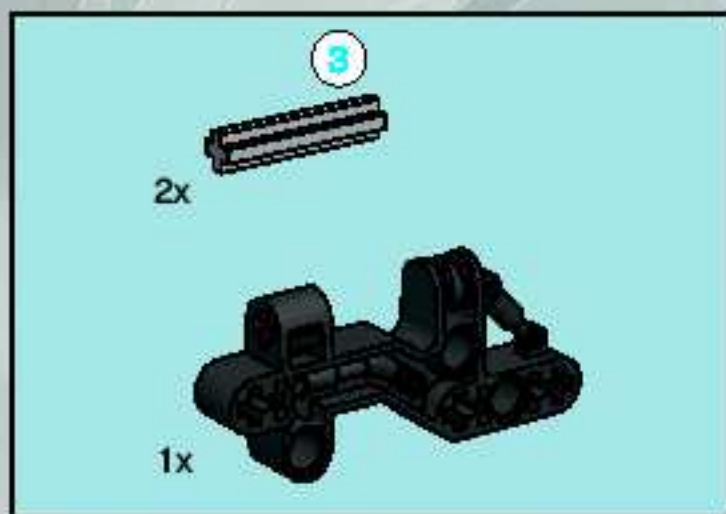
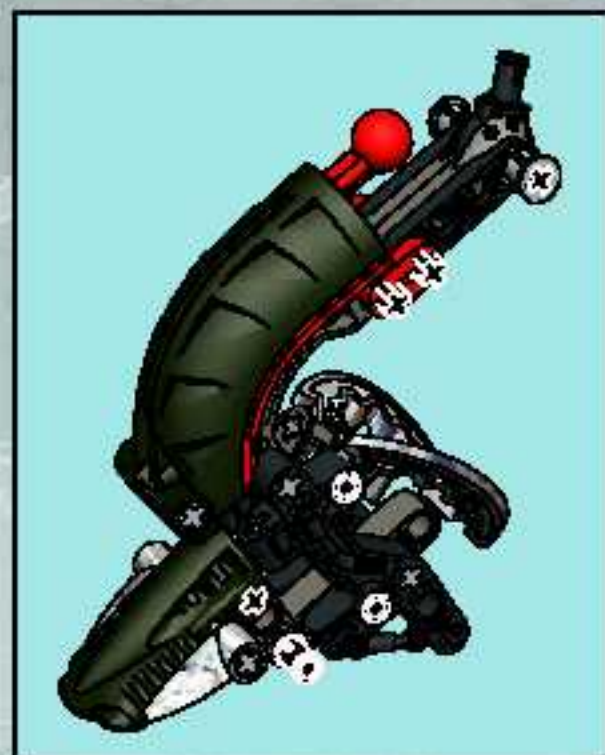


BIONICLE

2

LEGO

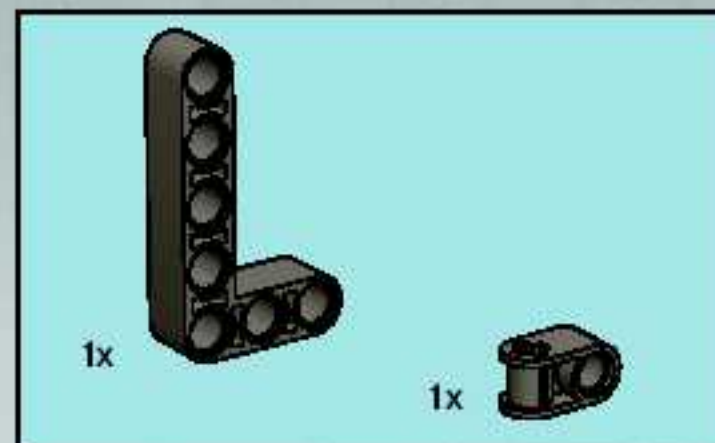
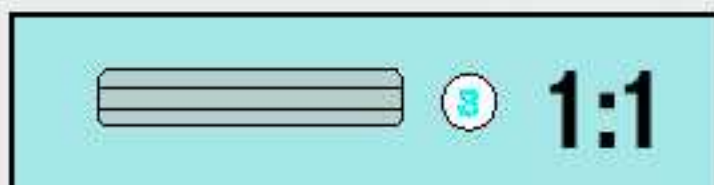
8583



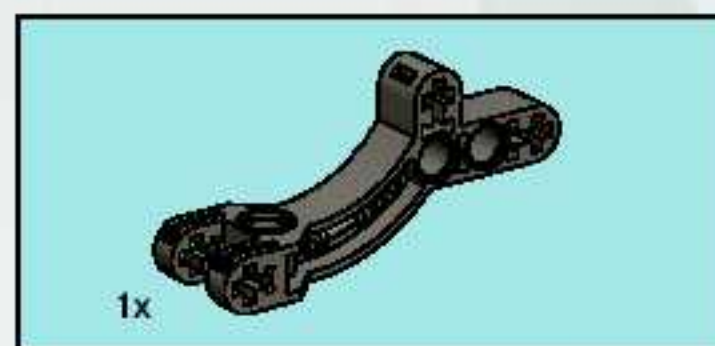
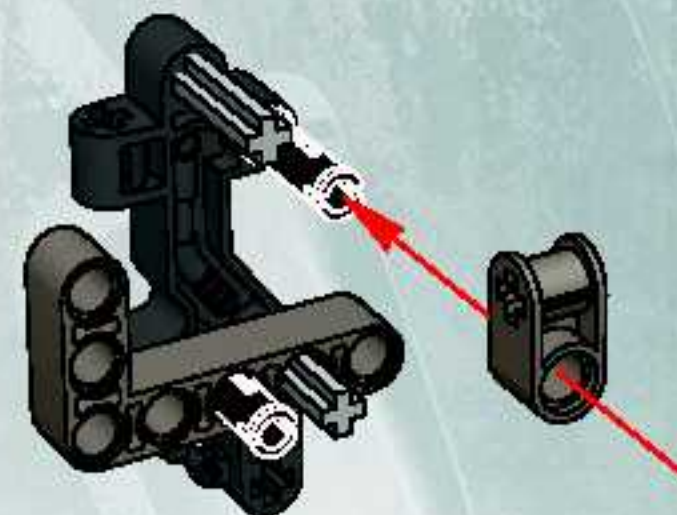
1



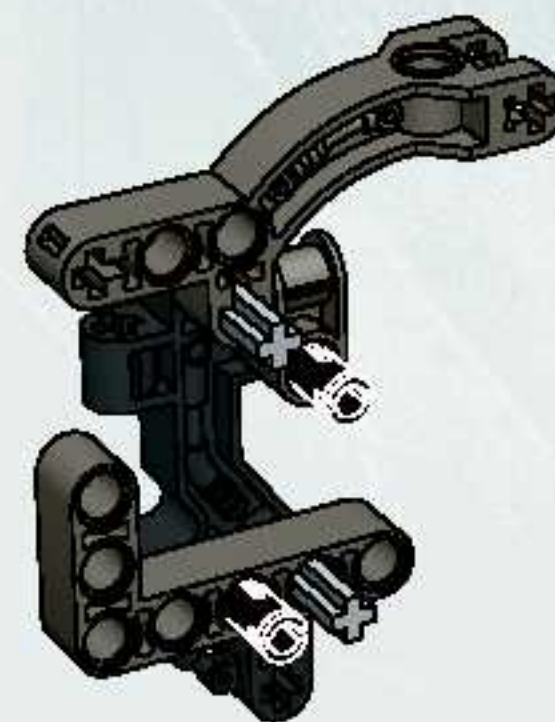
2

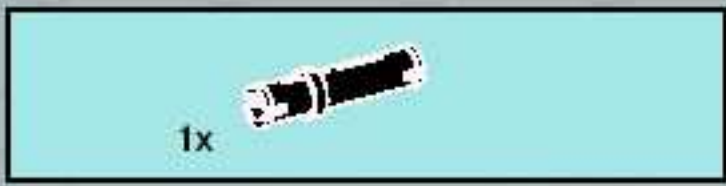


3

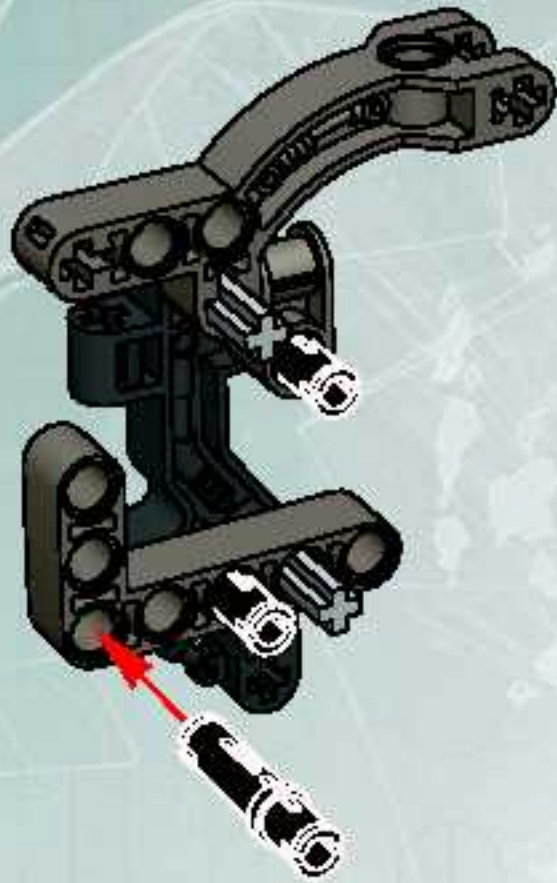


4

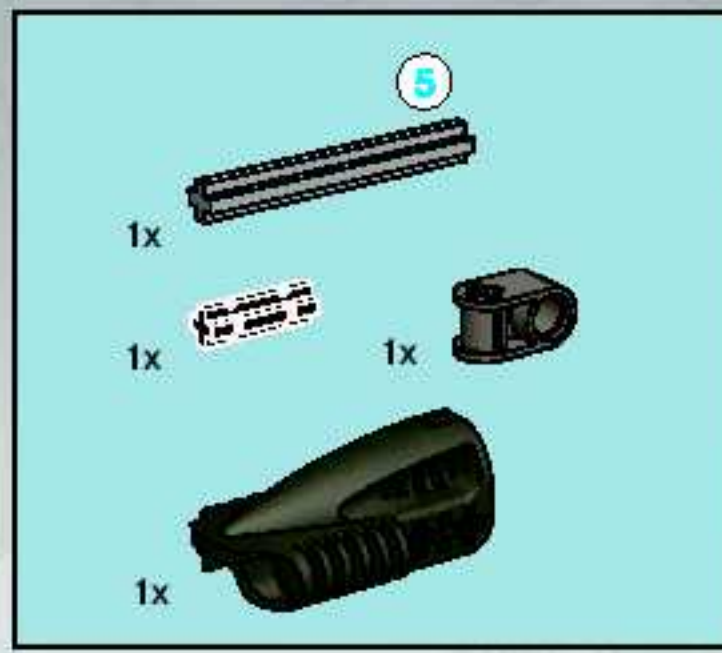
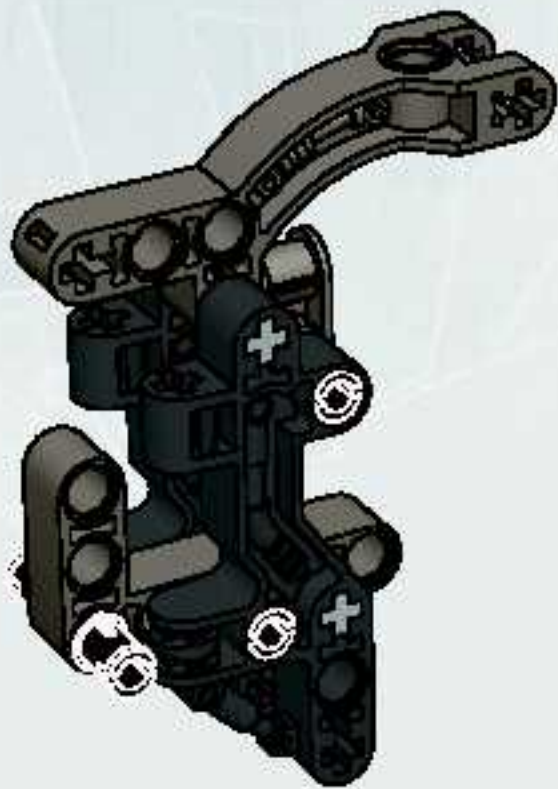




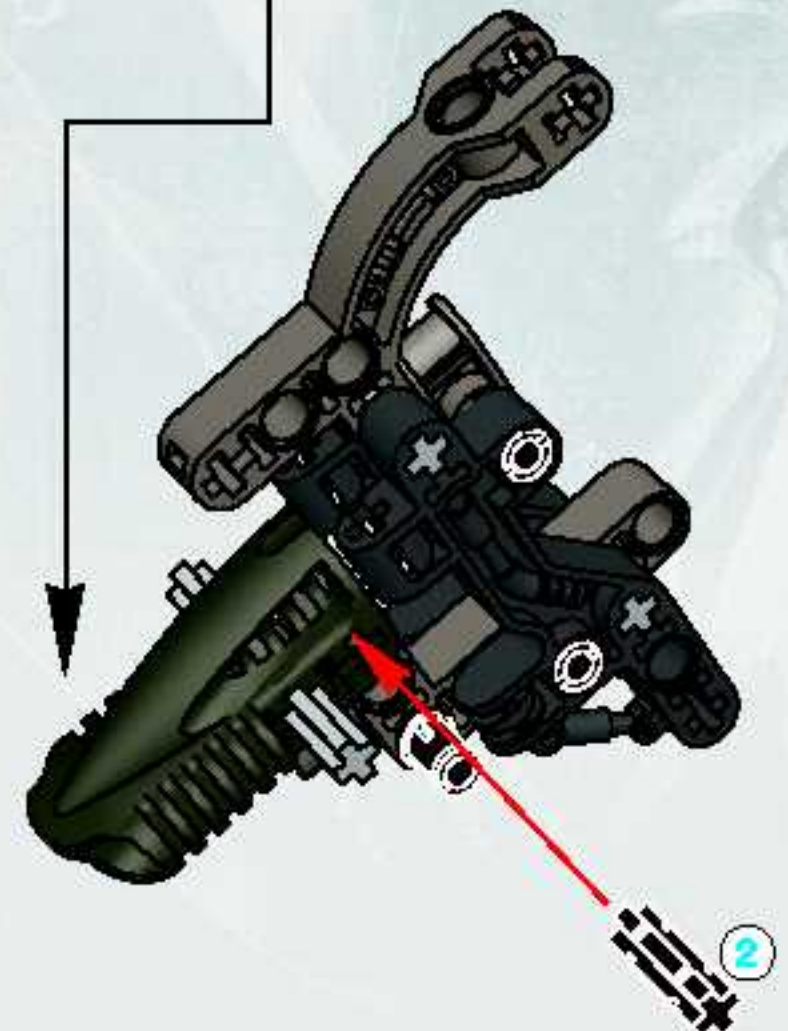
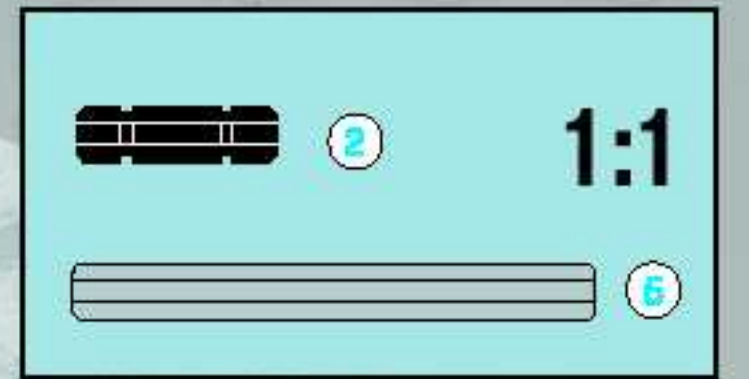
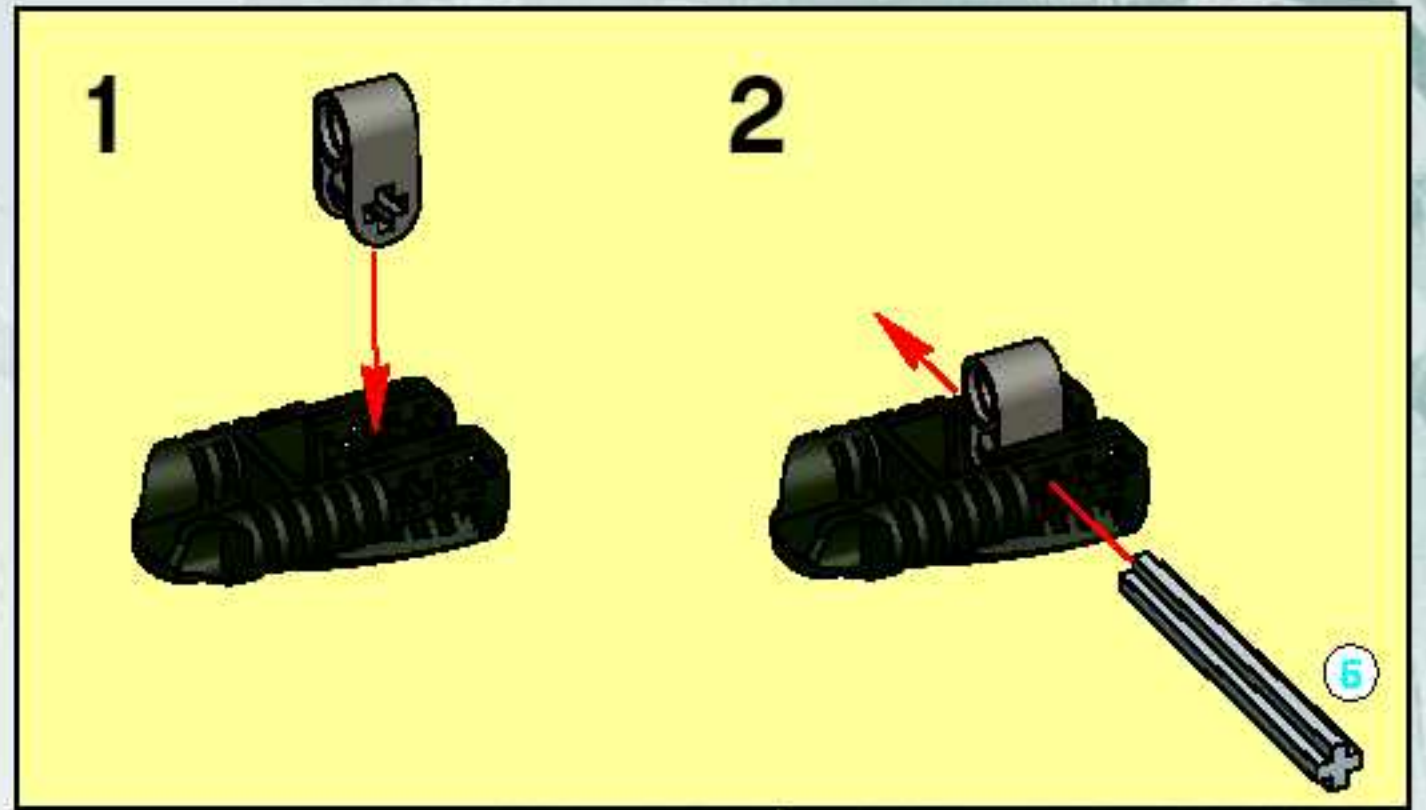
5

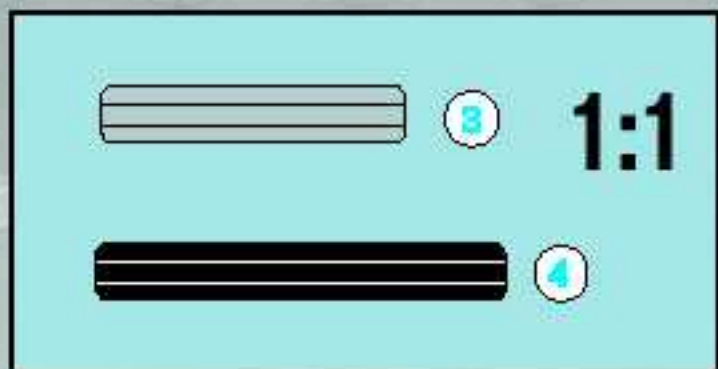
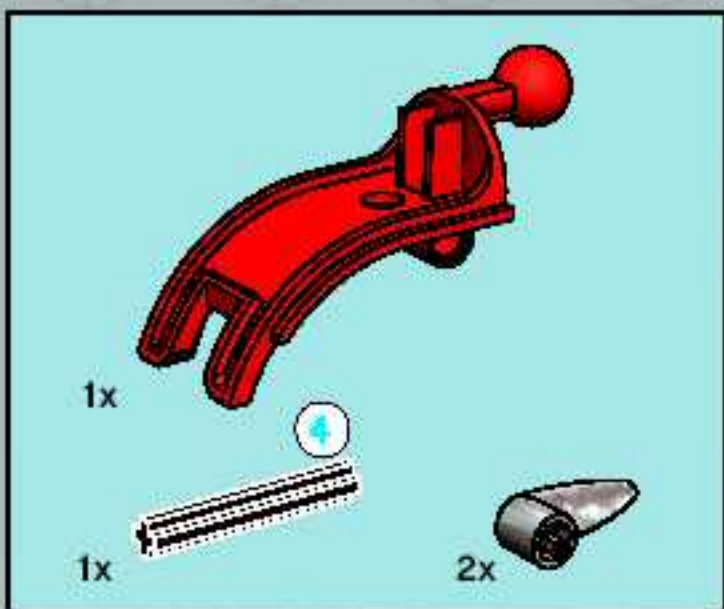


6

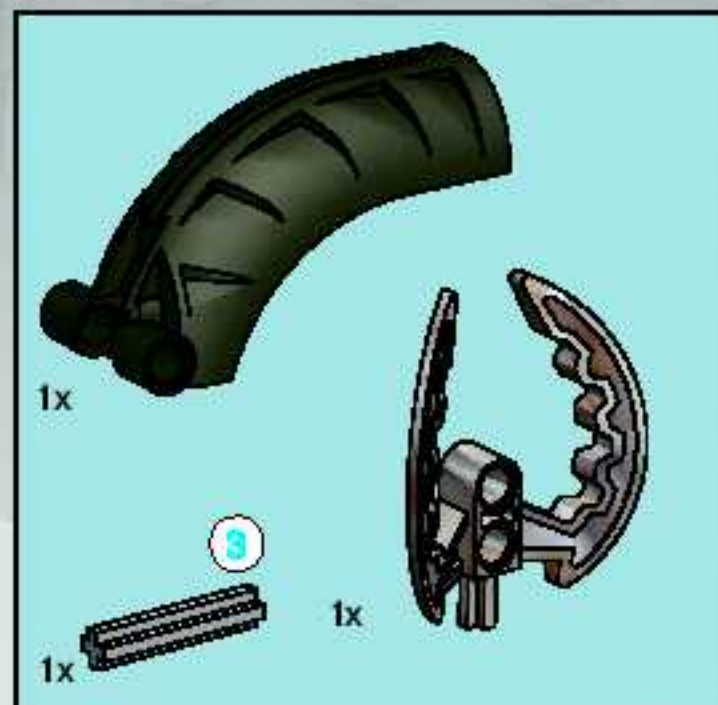


7

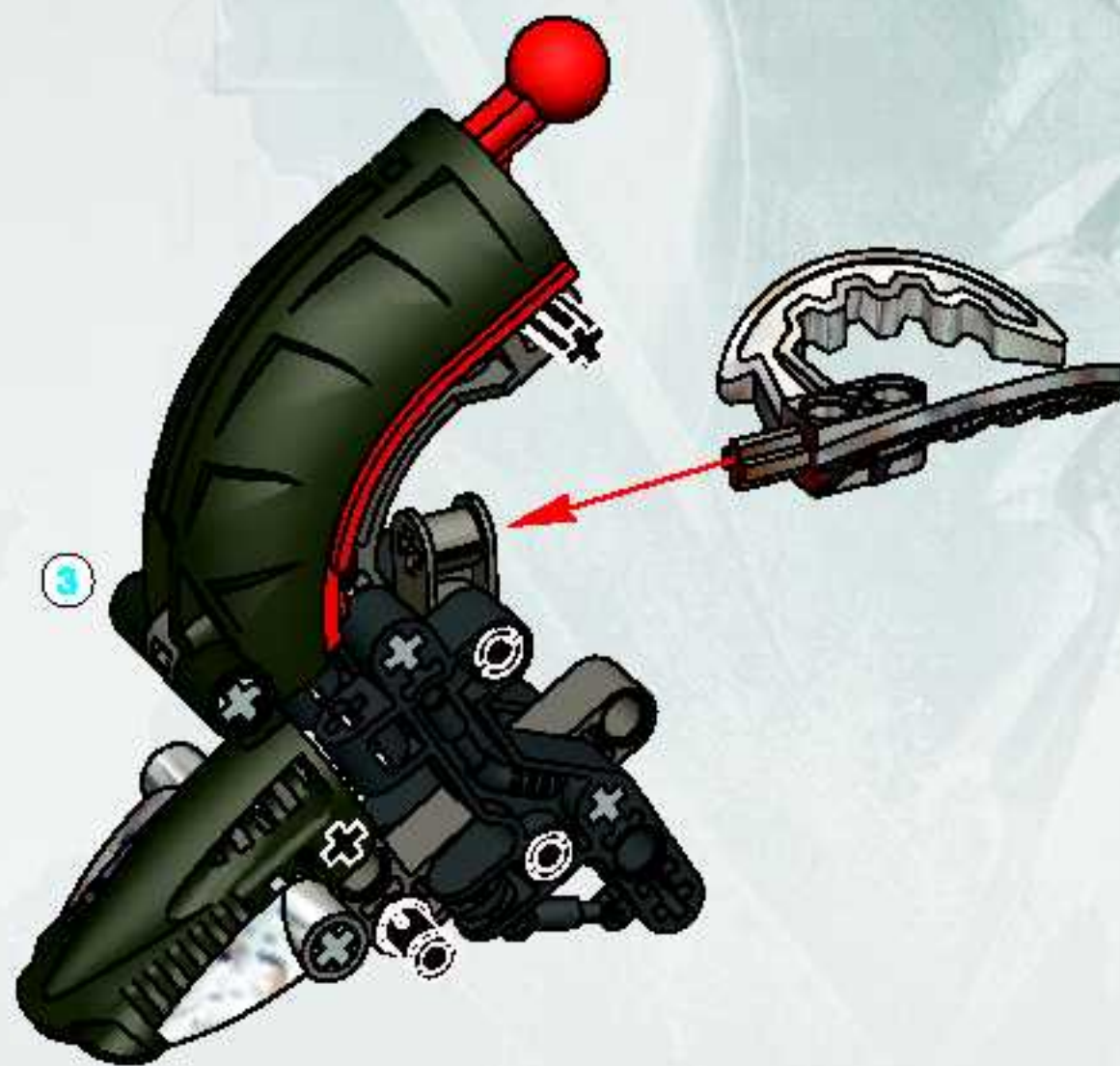


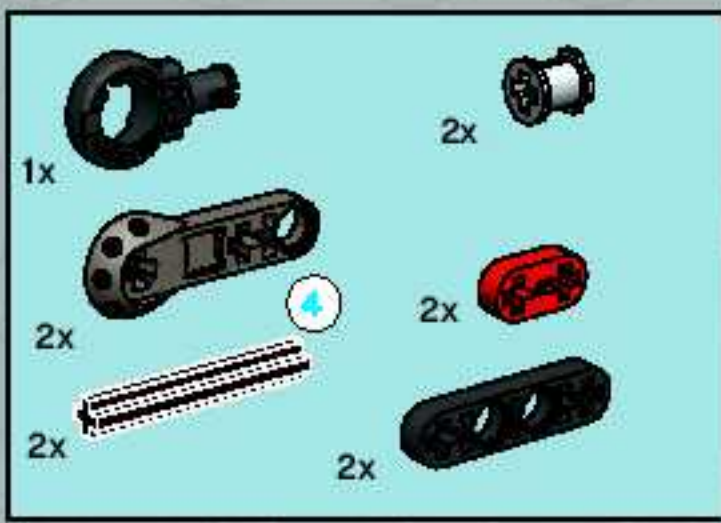


8

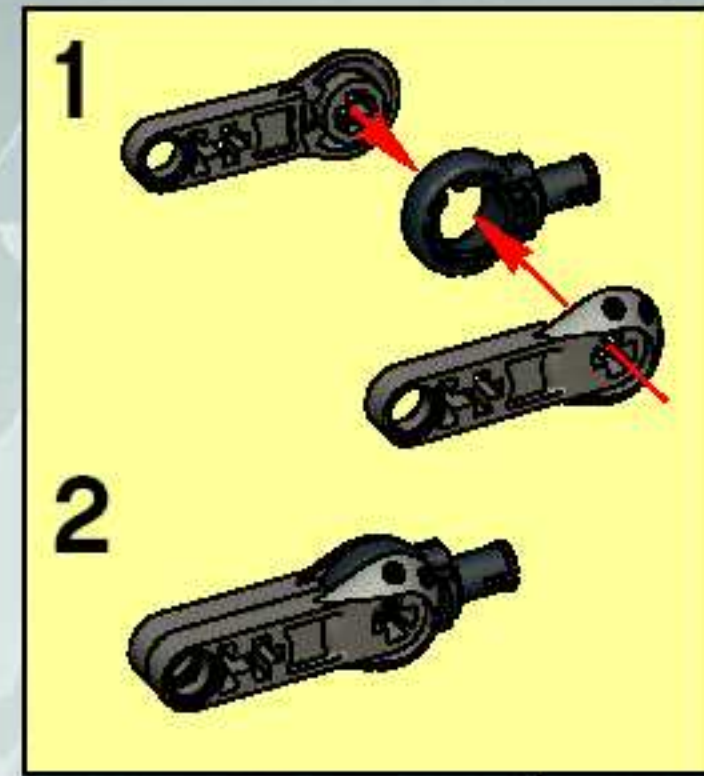


9

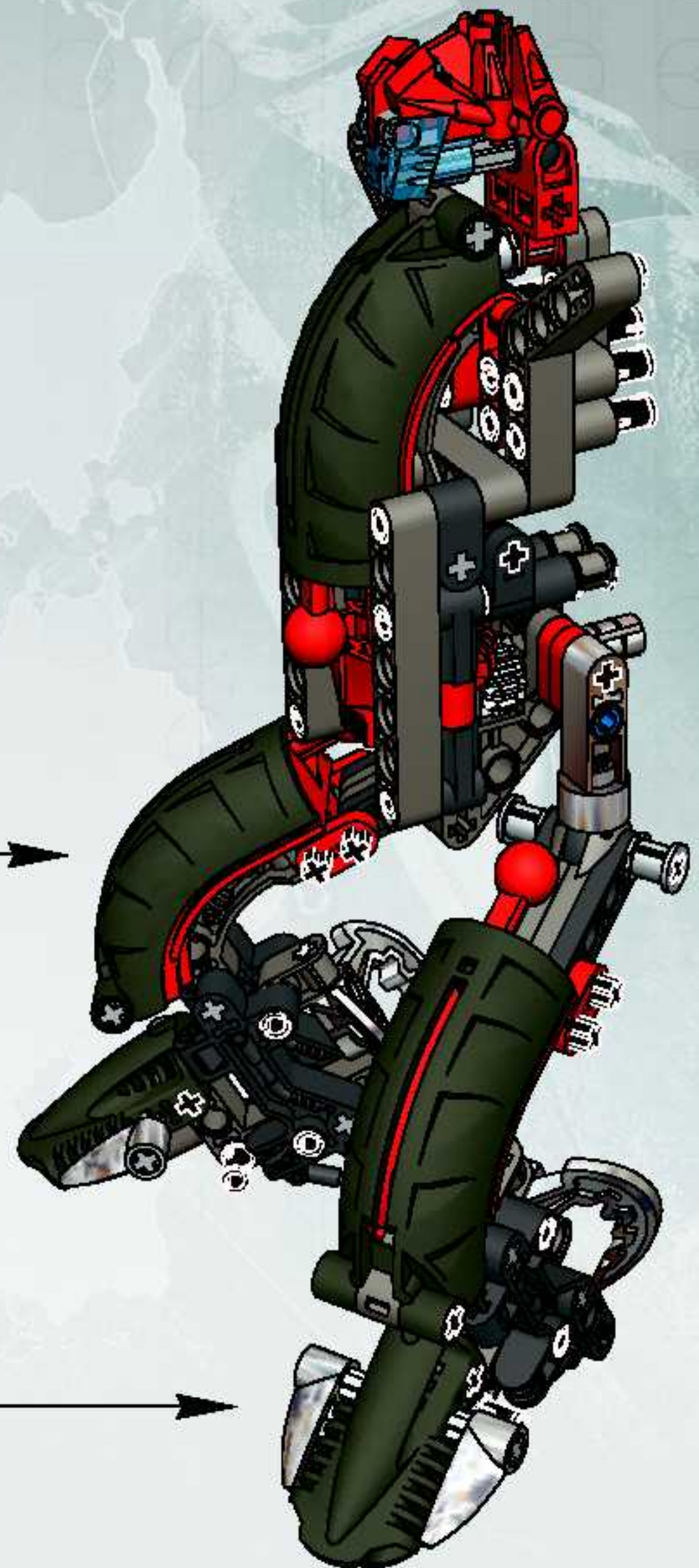
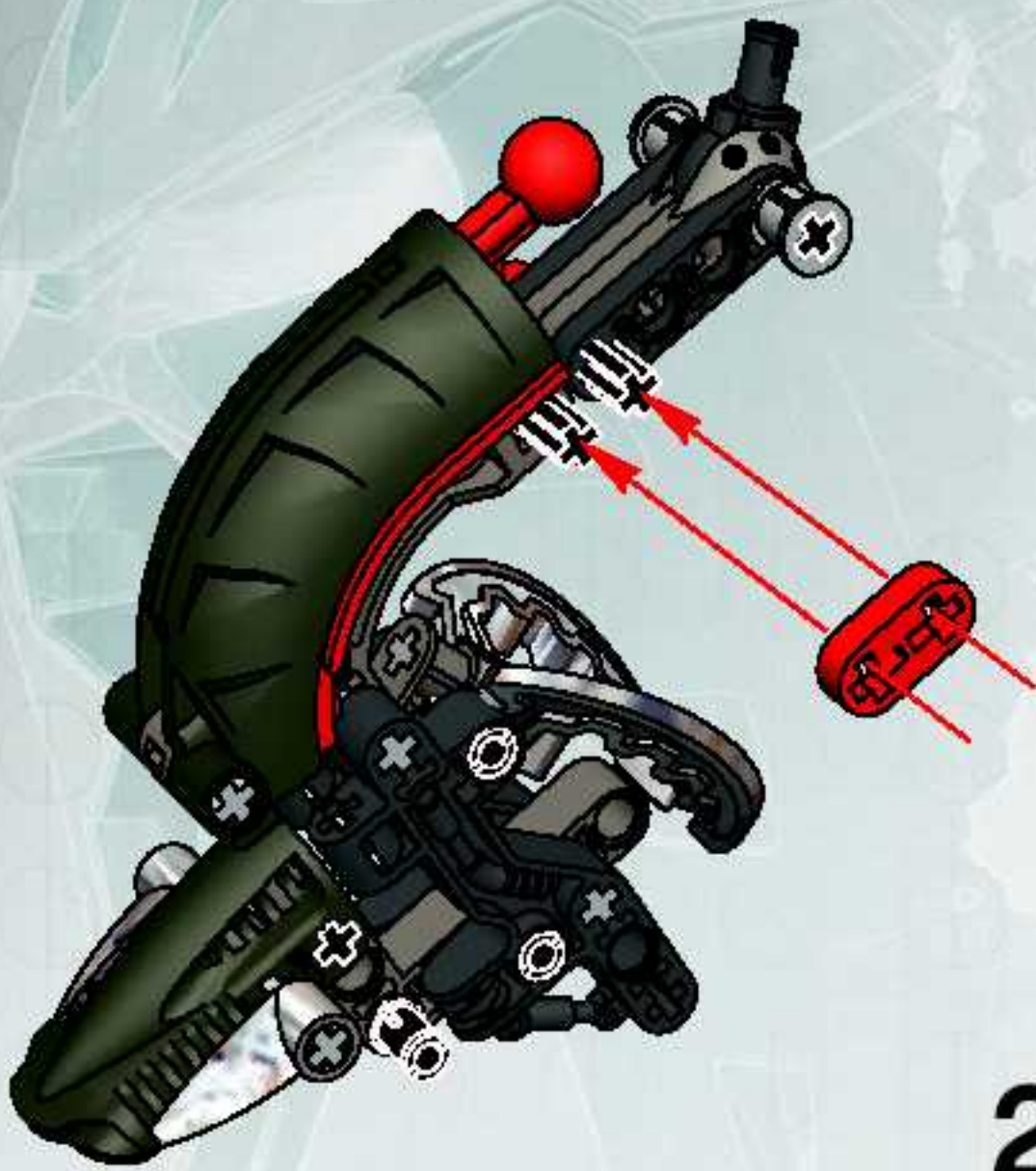




10



11



BIONICLE

3

LEGO

8583

Parts list for step 3:

- 1x 6 (Black Technic Pin)
- 1x 2 (Black Technic Pin)
- 2x Blue Technic Pin
- 2x Red Technic Pin
- 1x 1 (Black Technic Pin)
- 1x 1 (Red Technic Pin)
- 1x 1 (Black Technic Pin)
- 1x Black Technic Part (Shoulder)
- 1x Black Technic Part (Shoulder)
- 1x Black Technic Part (L-shaped)
- 1x Red Technic Part (Motor)
- 1x Black Technic Part (Small)

1



2



3



1:1

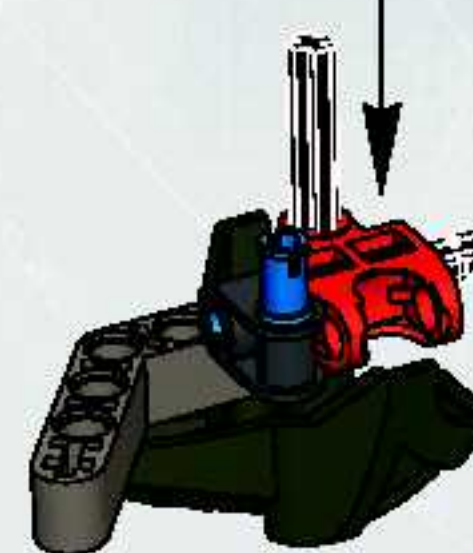
2 (Black Technic Pin)

6 (Black Technic Pin)

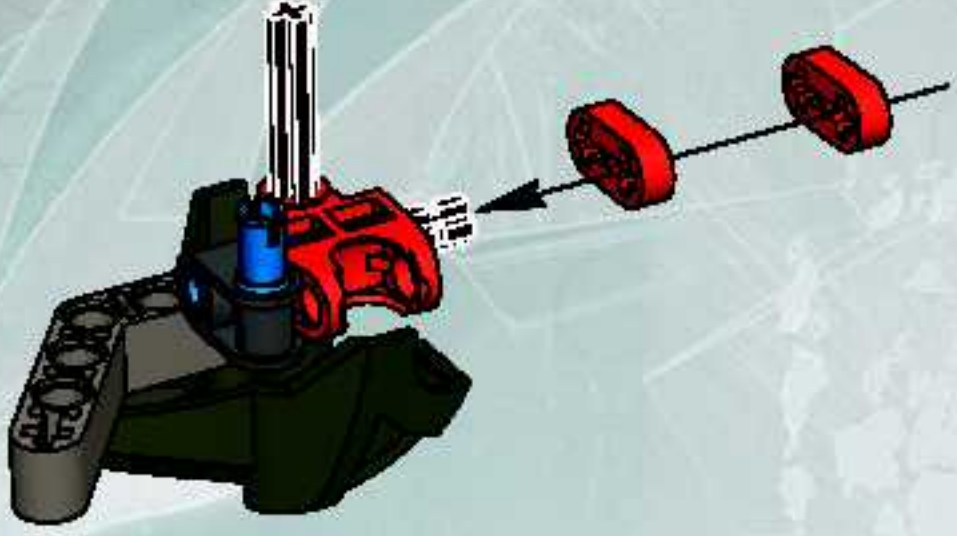
Inset diagram showing three steps of motor assembly:

- Step 1: A blue pin is inserted into the top of a red motor.
- Step 2: A black part with a blue pin is attached to the side of the red motor.
- Step 3: A blue pin is inserted into the top of the black part.

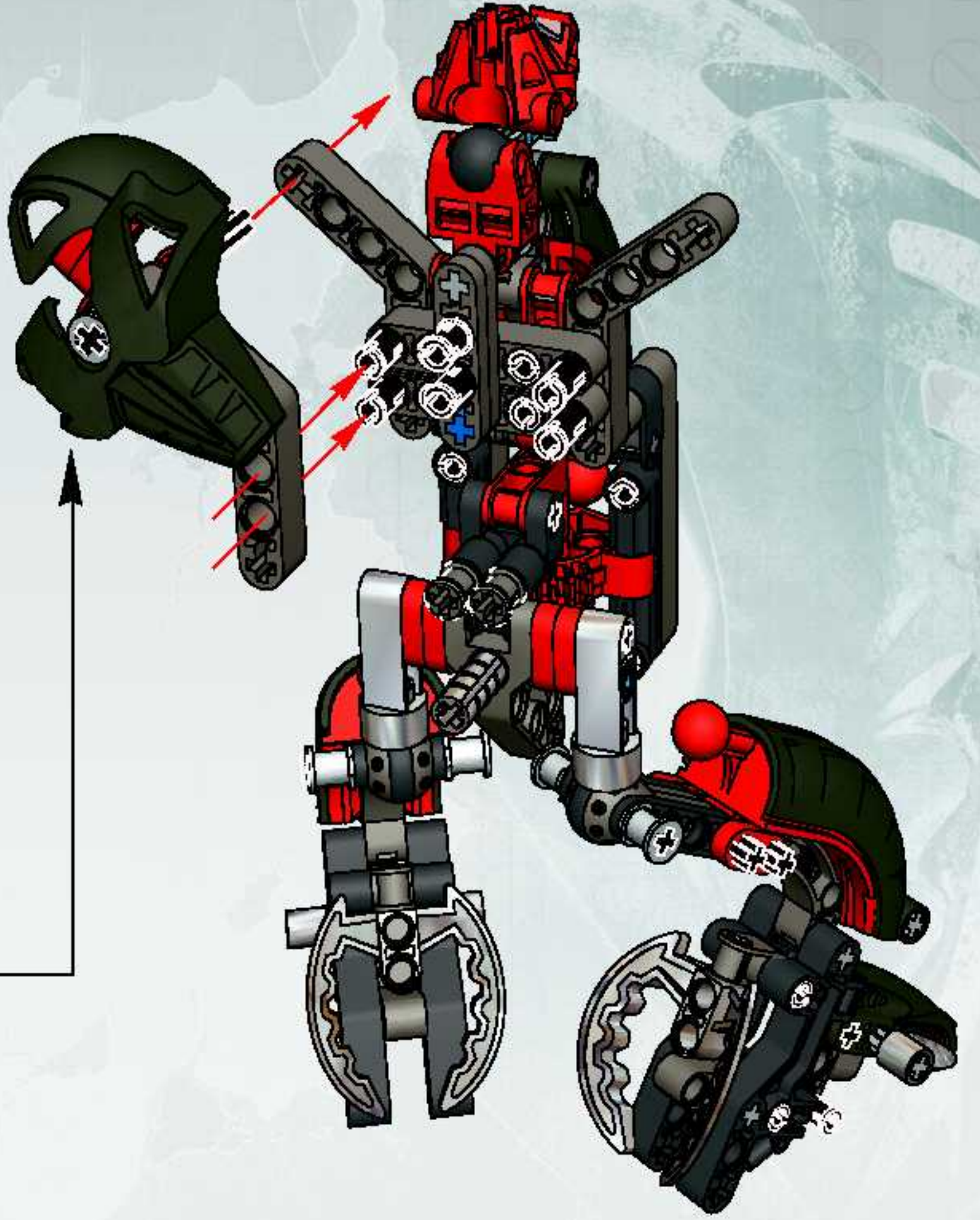
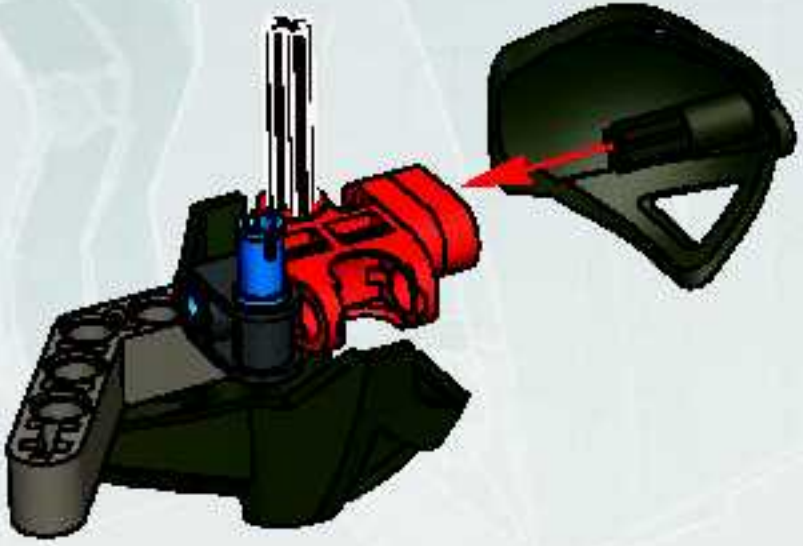
4

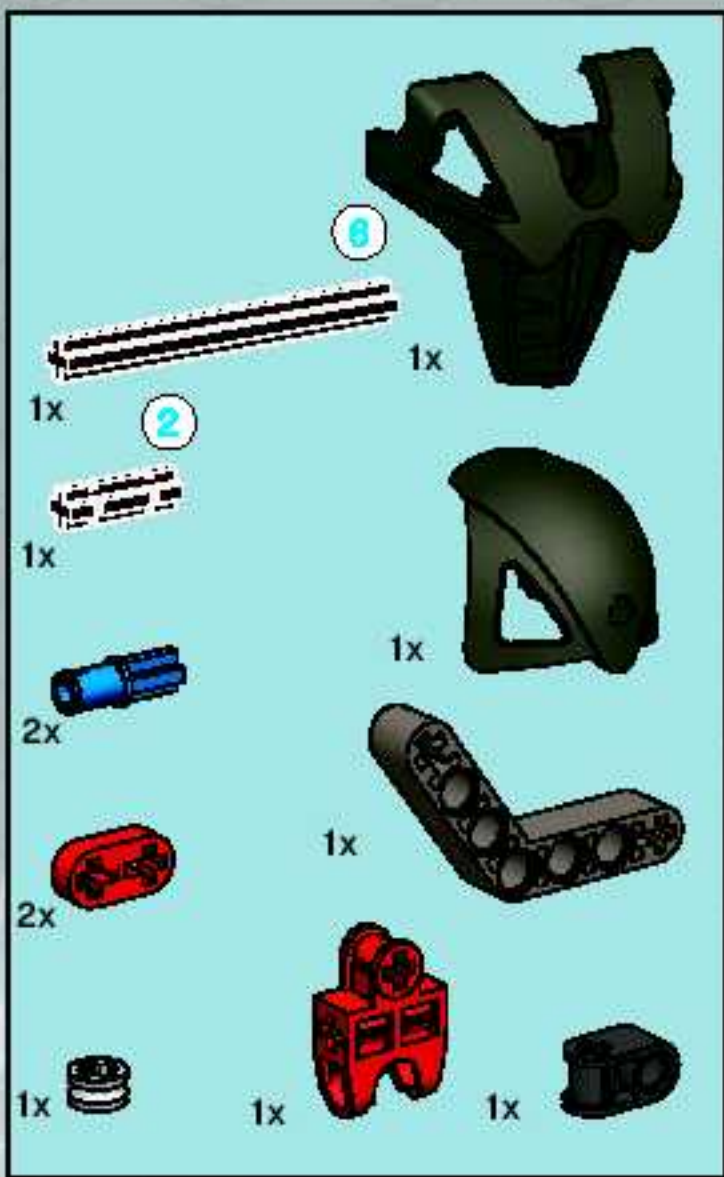


5



6





2

1



2



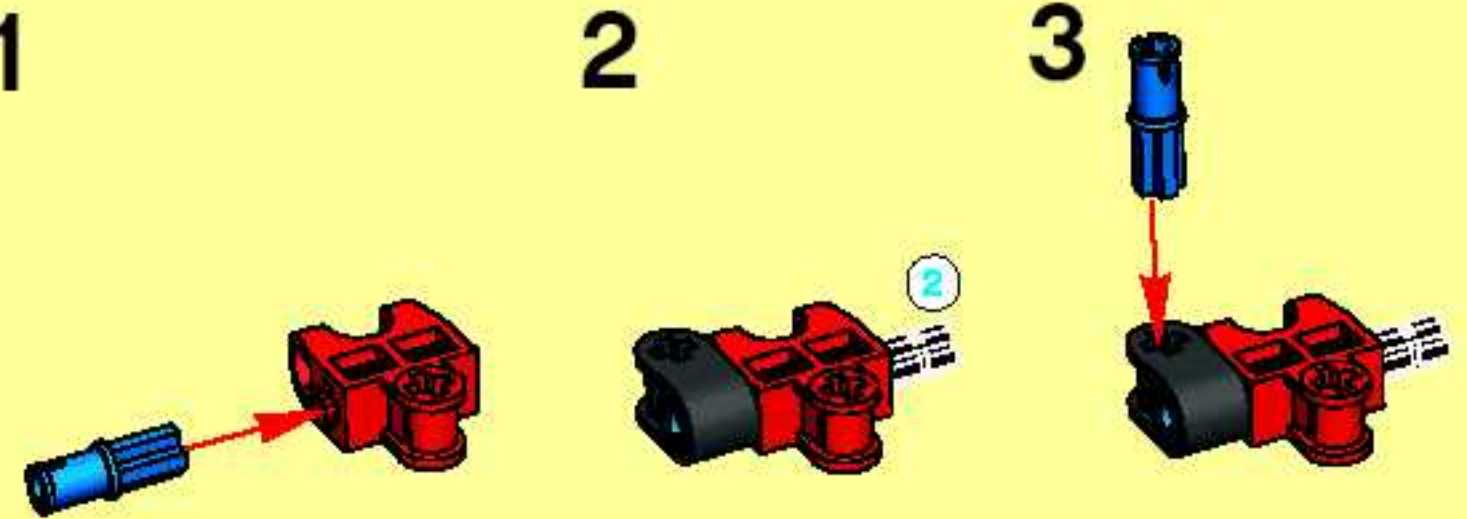
3



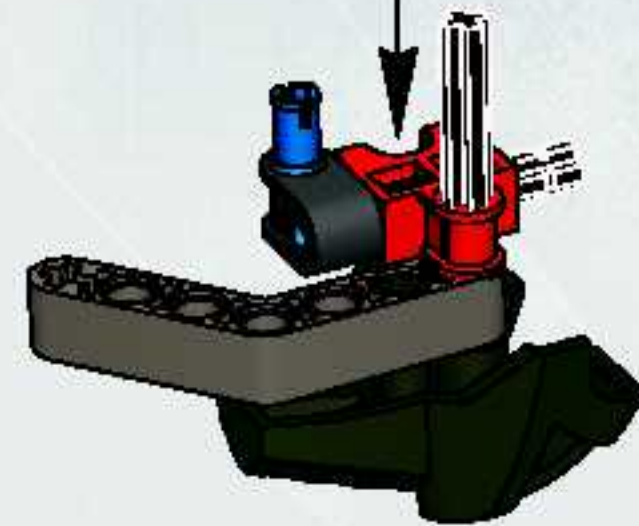
1

2

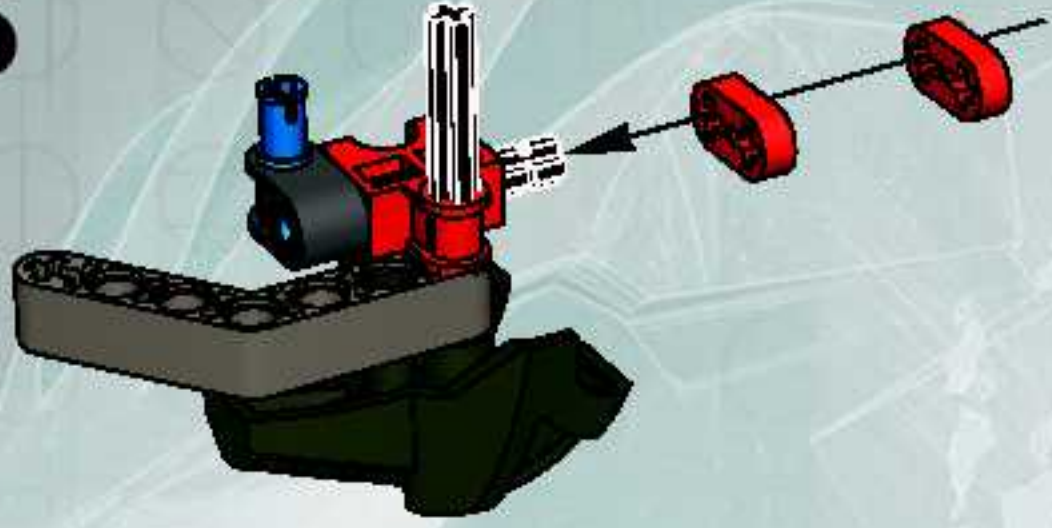
3



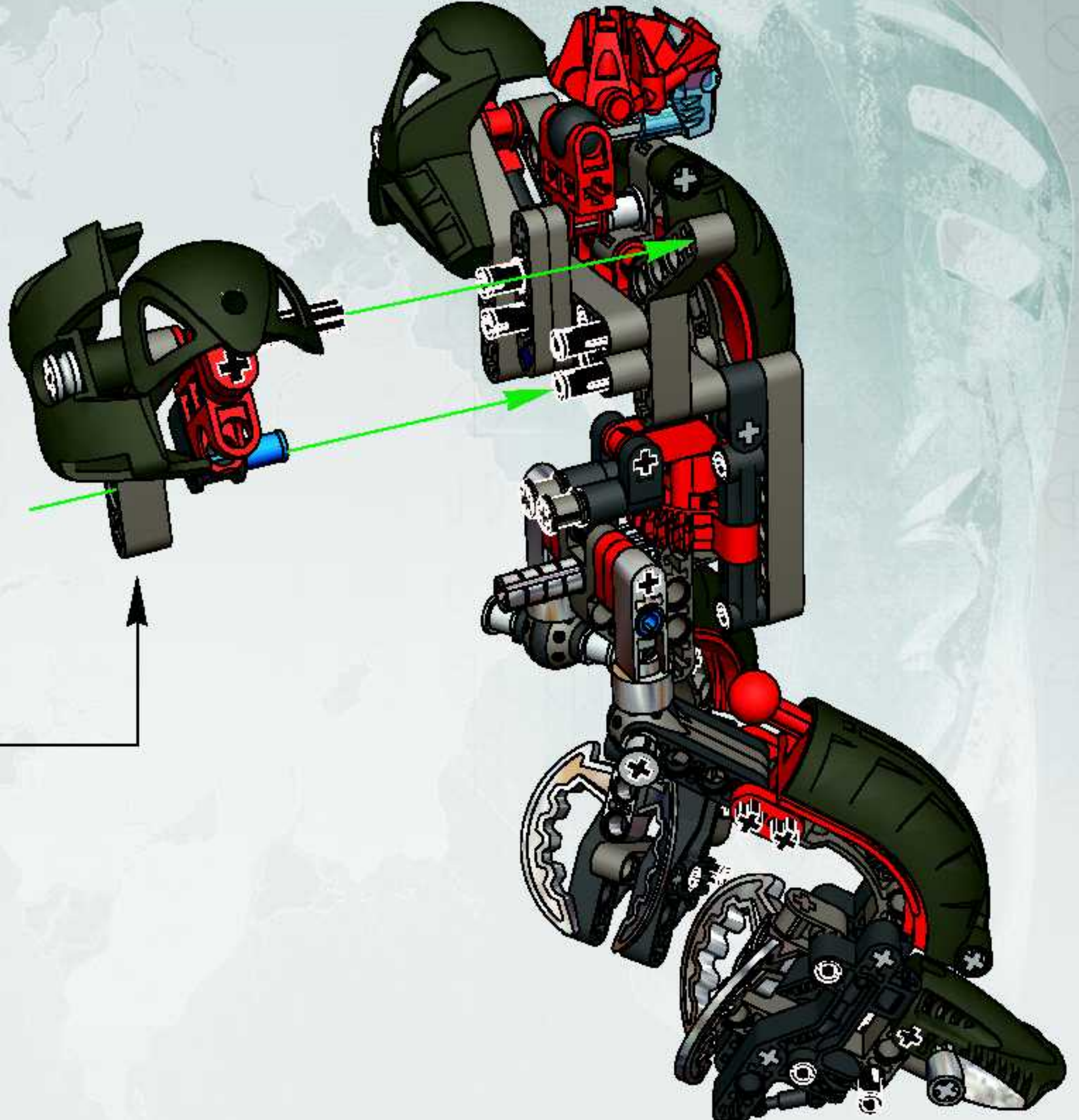
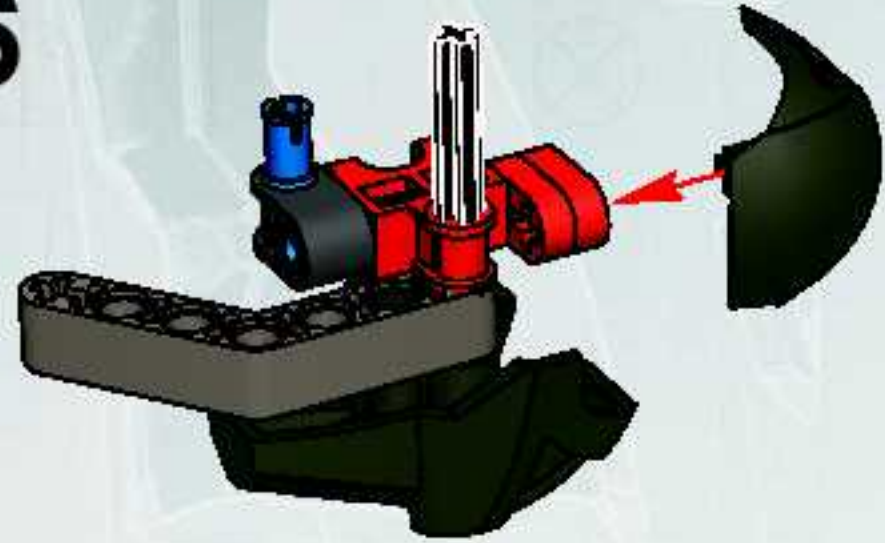
4

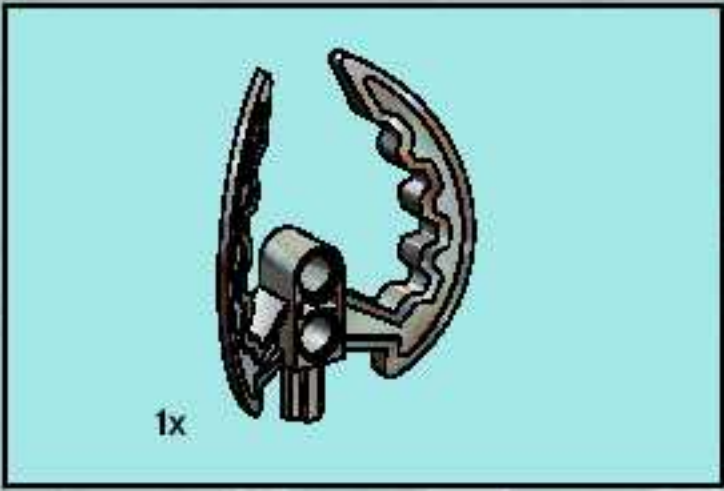


5

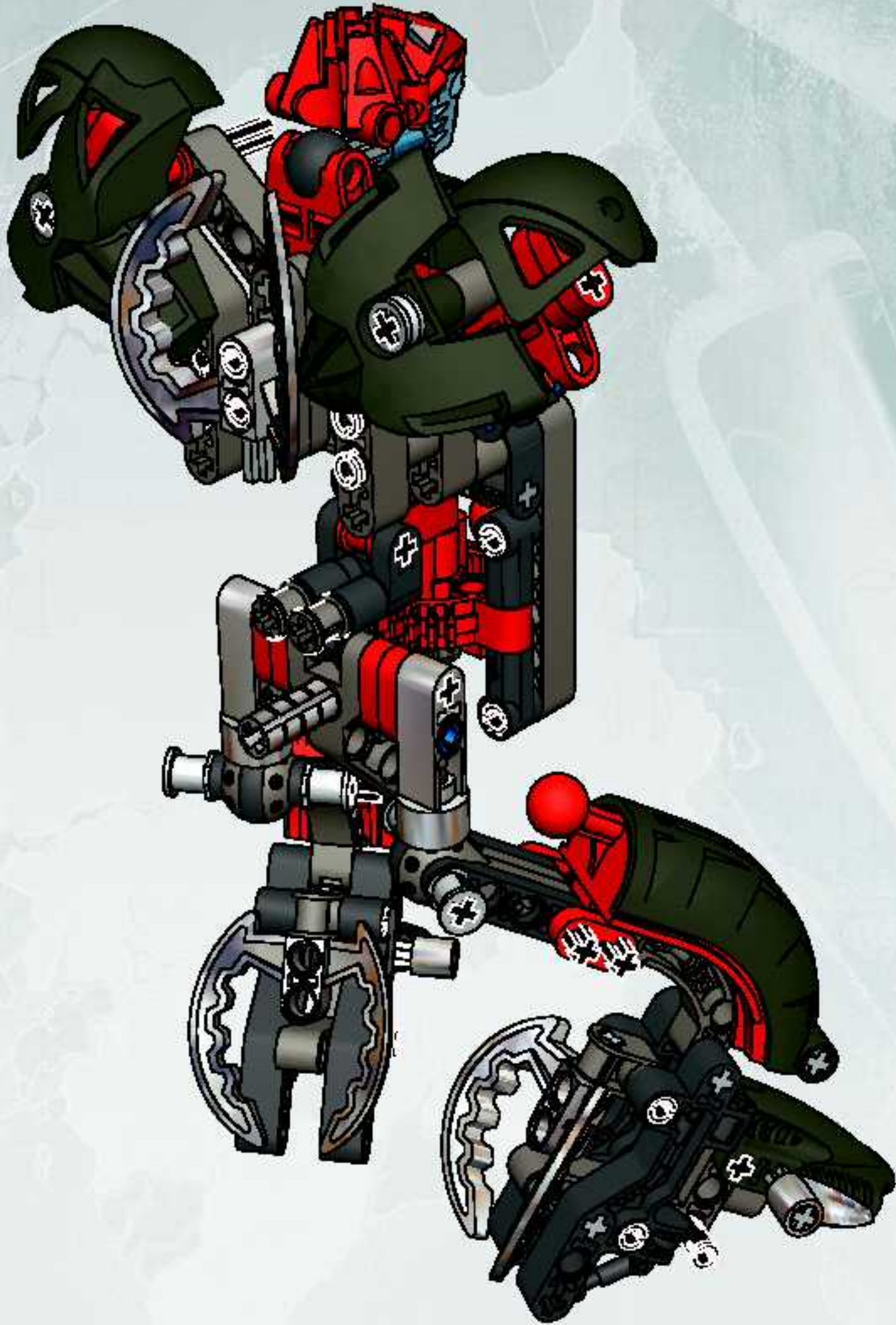


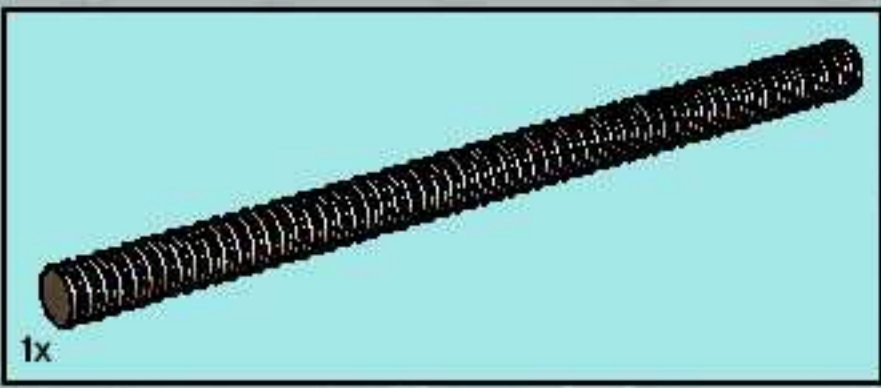
6



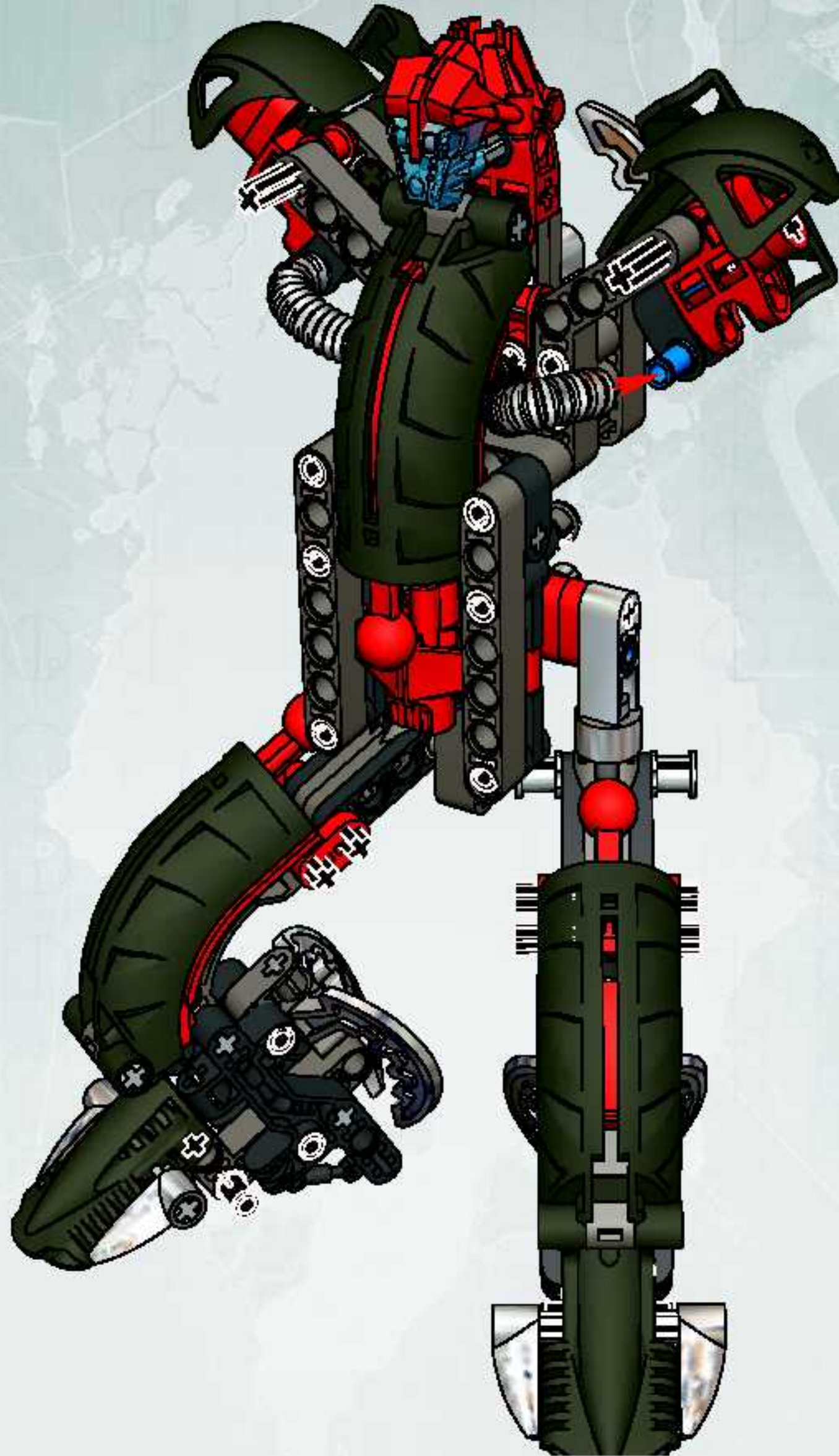


3



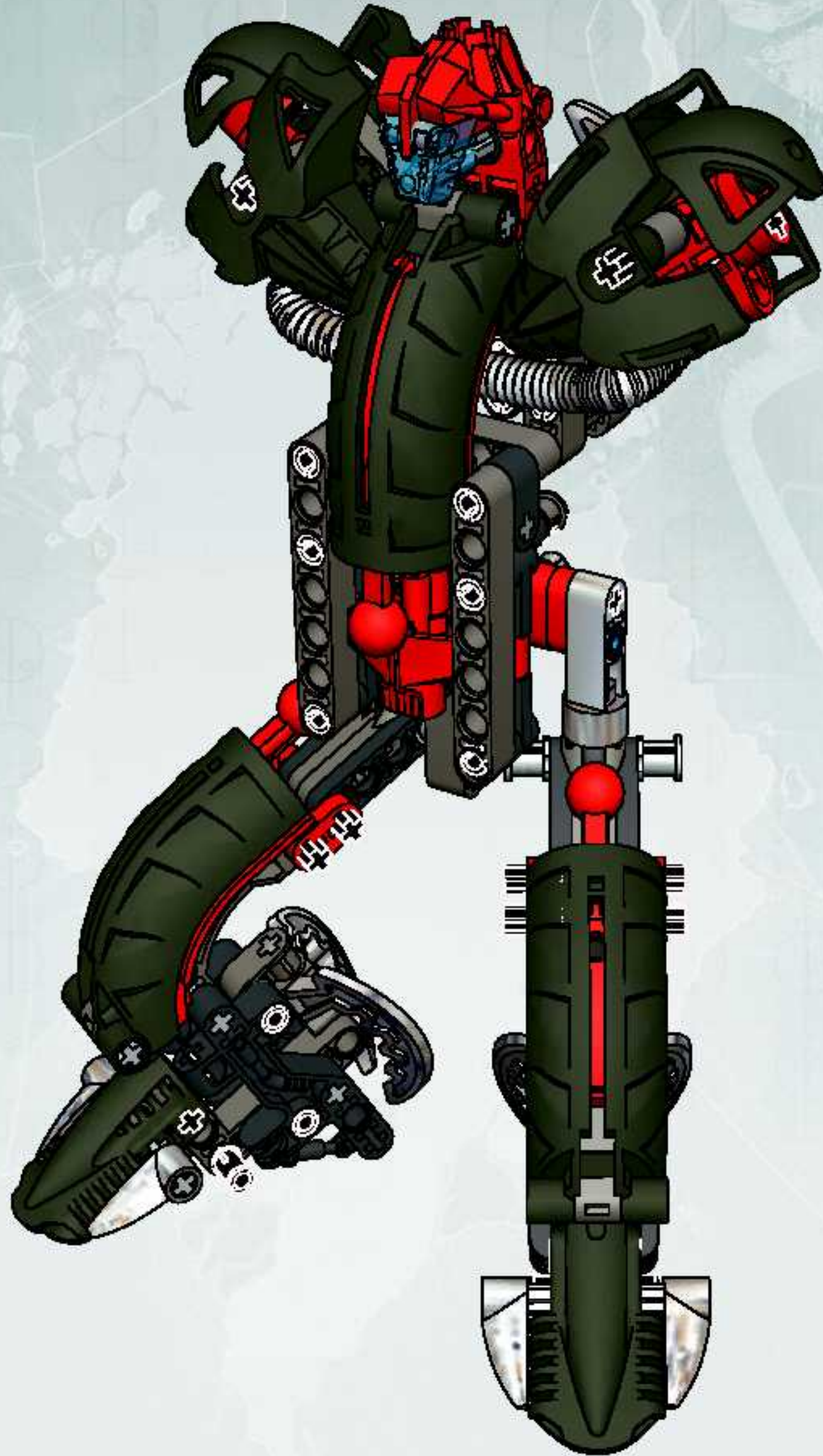


4





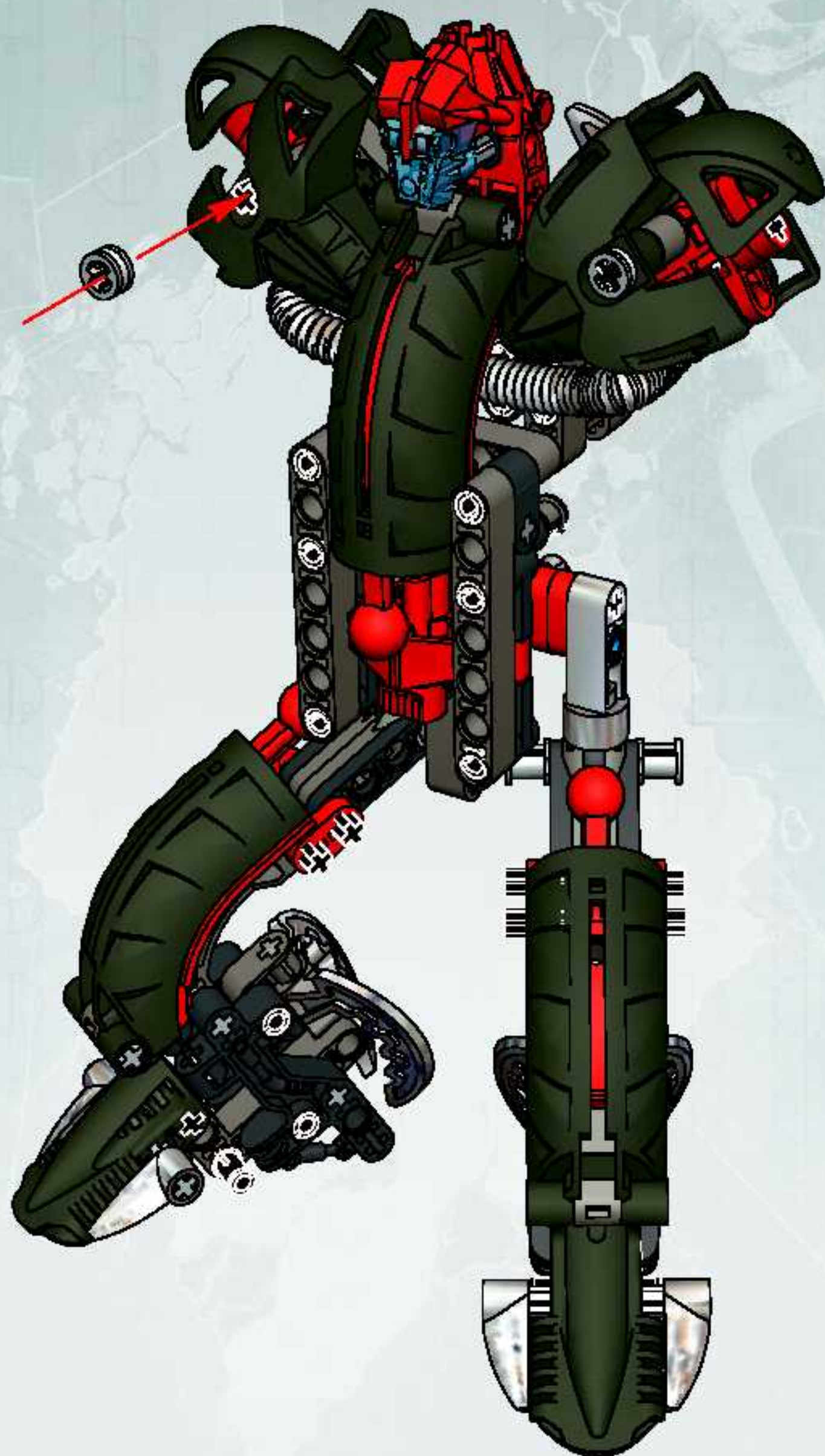
5

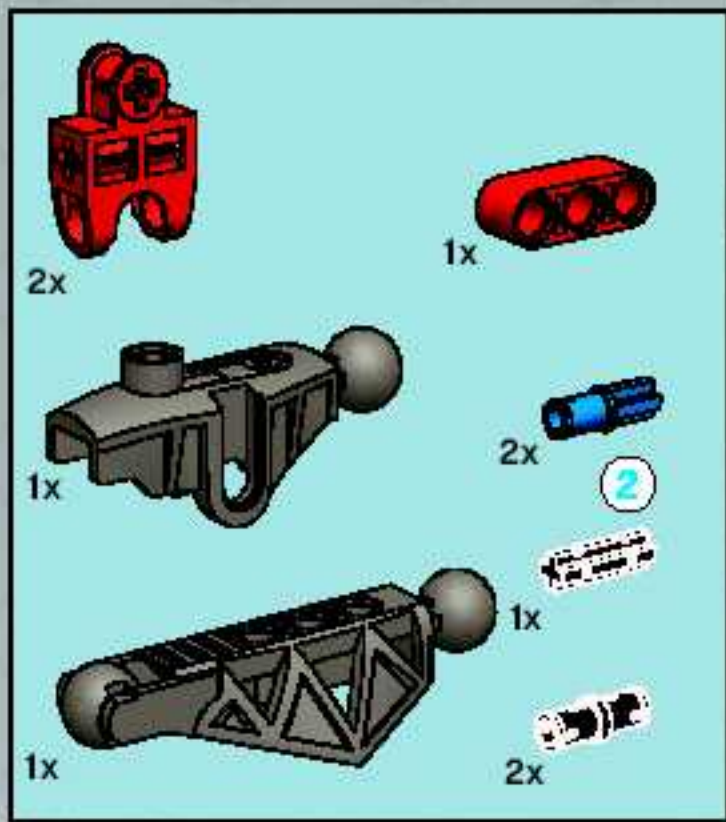


2x



6

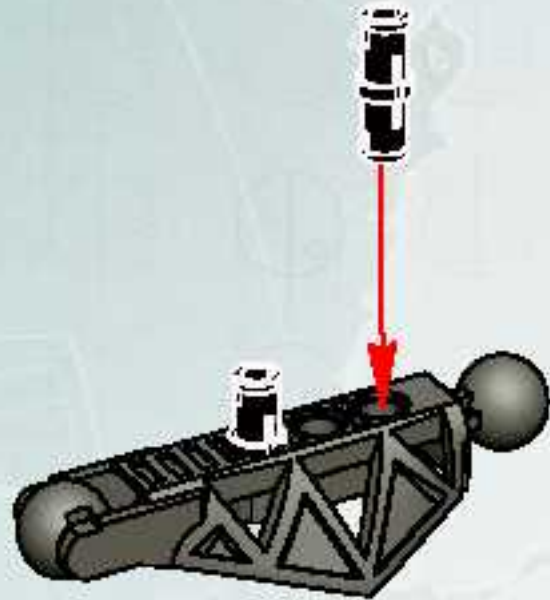




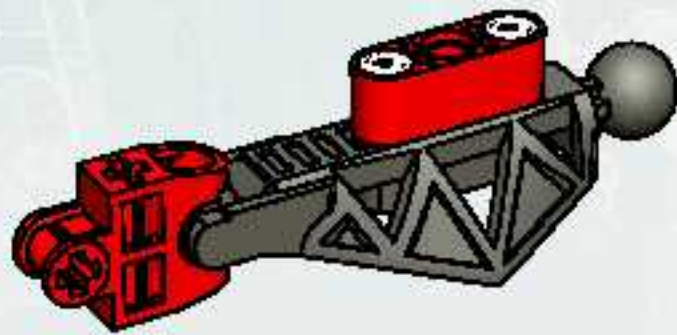
② 1:1

7

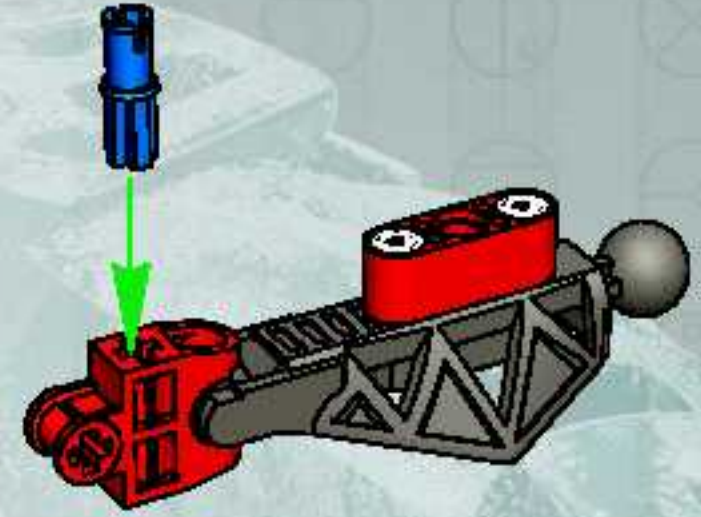
1



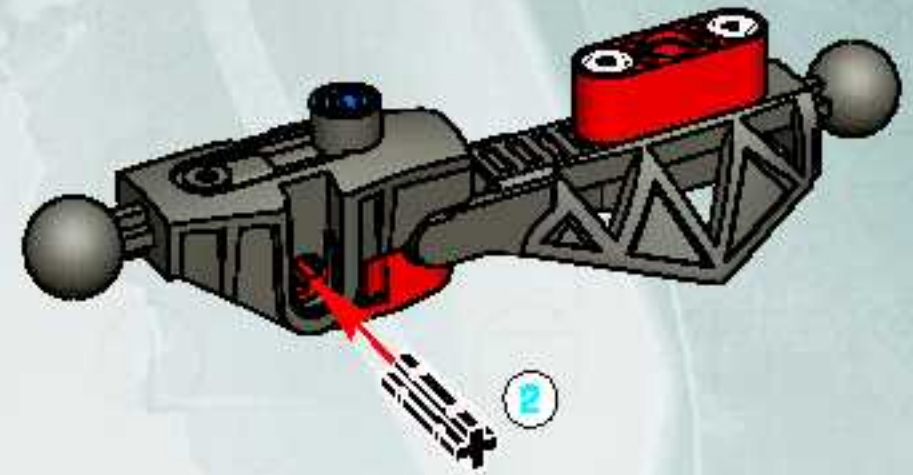
2



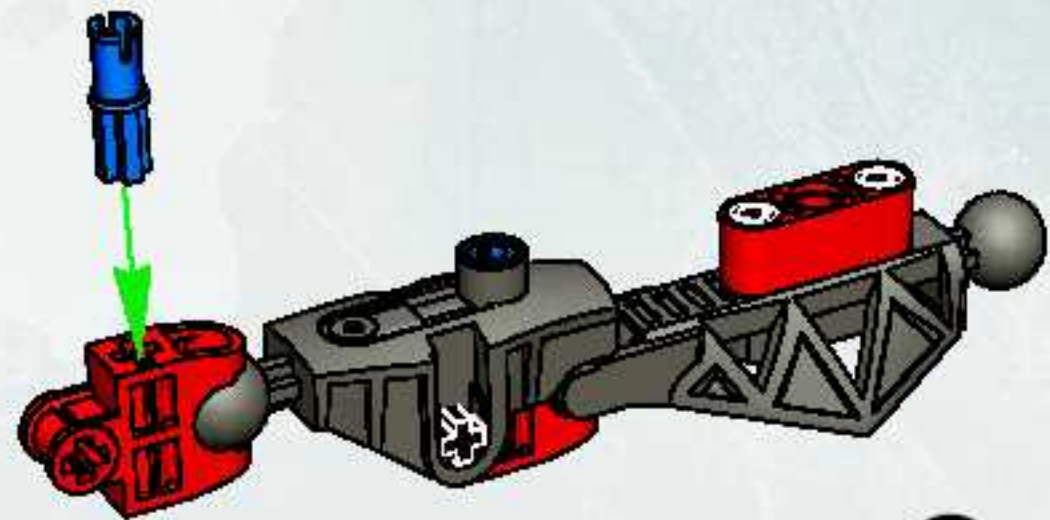
3



4

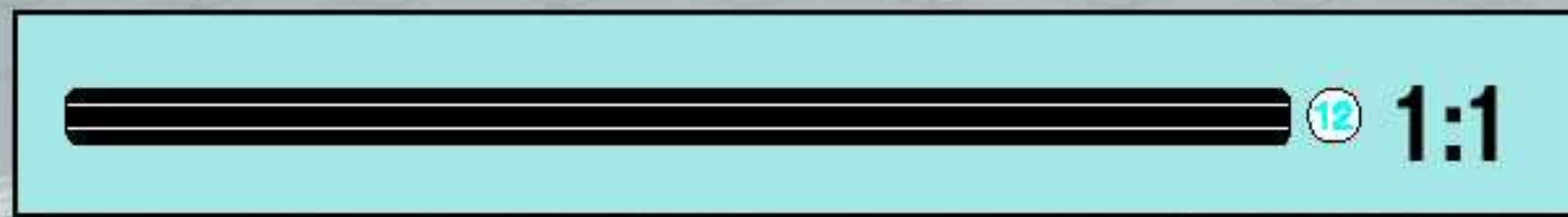
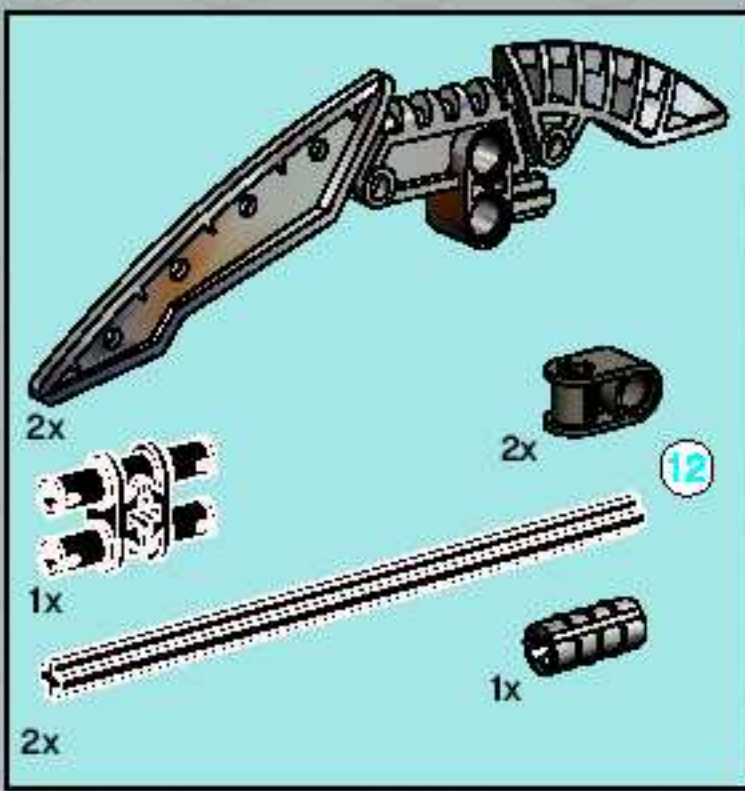


5



2x





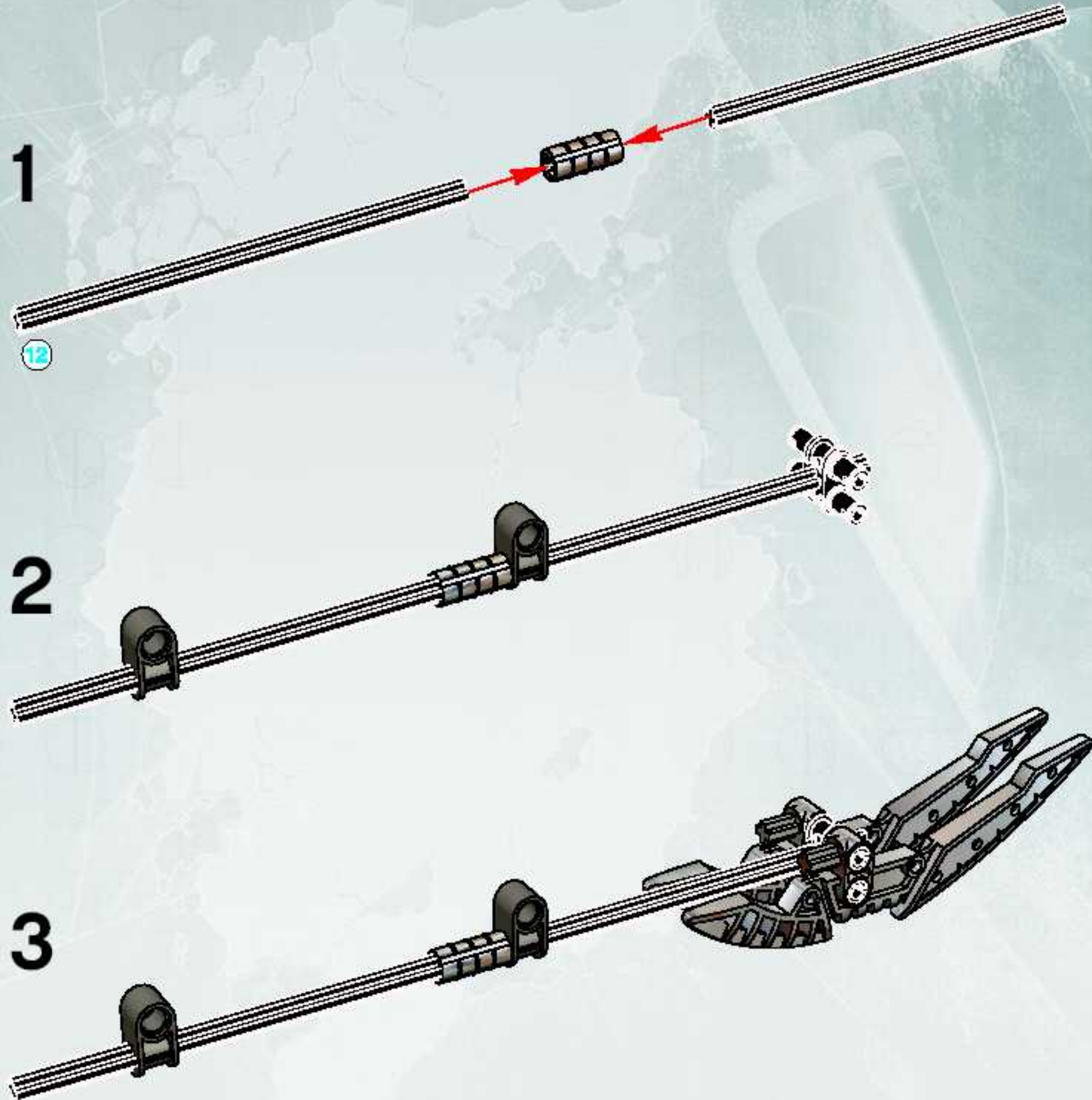
8

1

12

2

3







9



8595
Takua &
Pewku



8593
Makuta

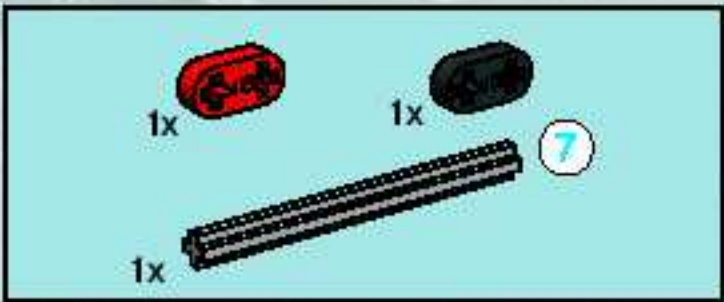
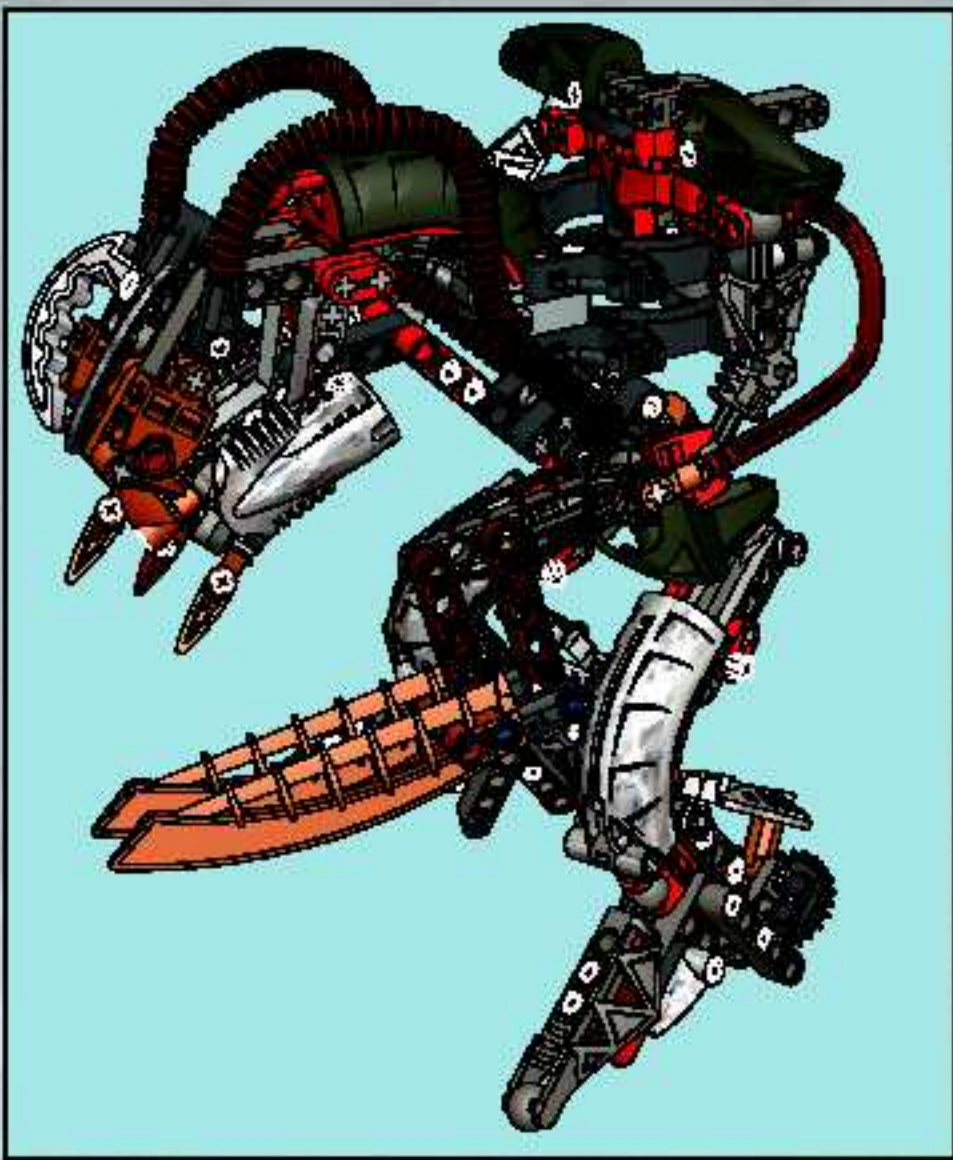


8594
Jaller &
Gukko

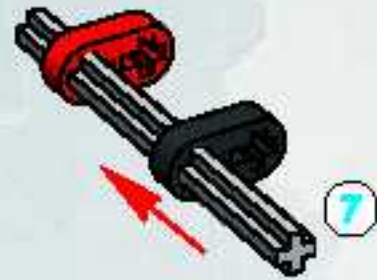


8593 + 8594 + 8595

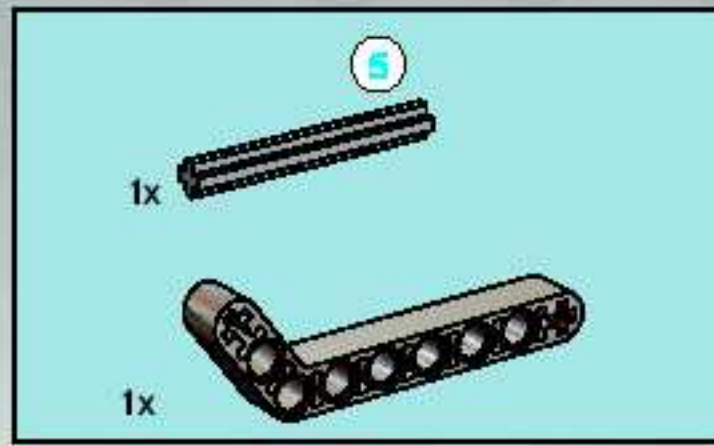
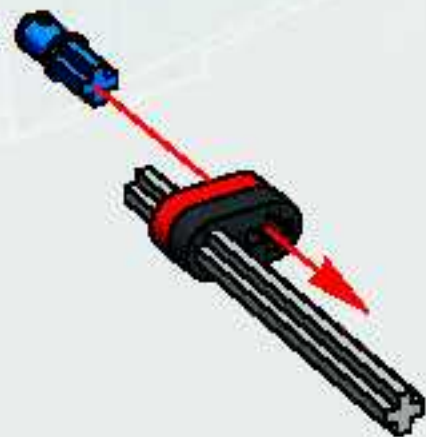




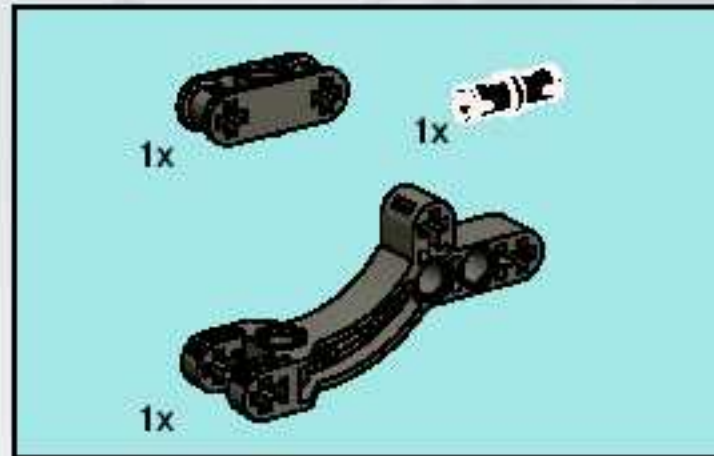
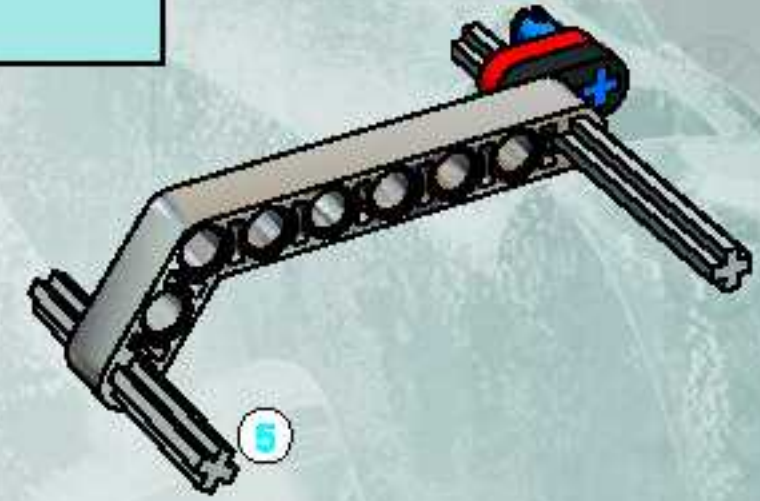
1



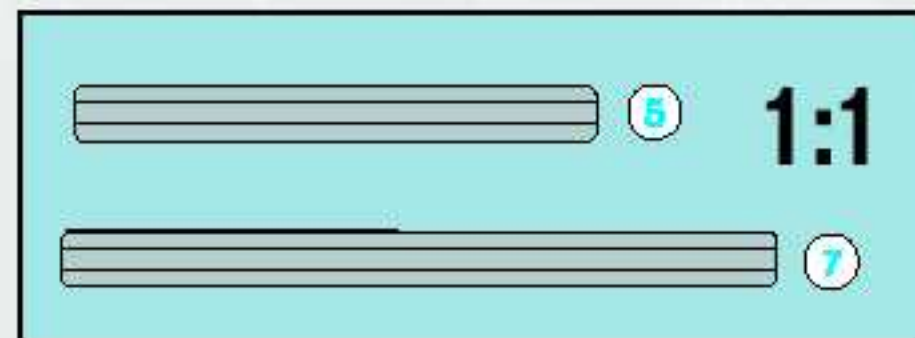
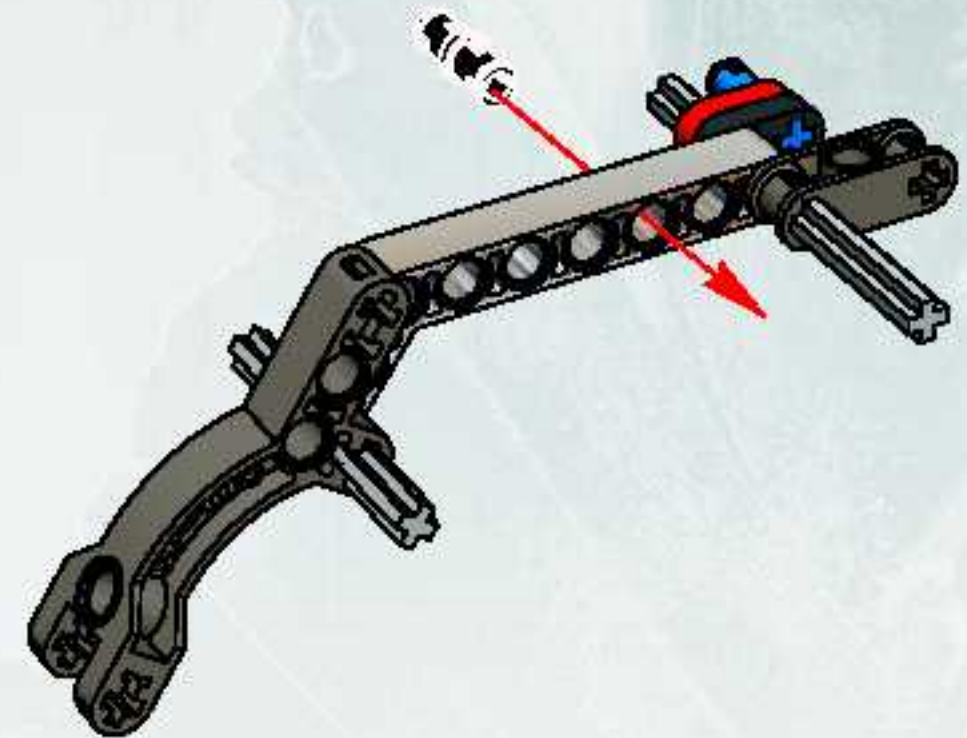
2

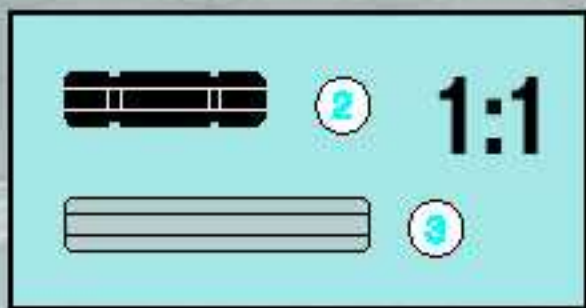
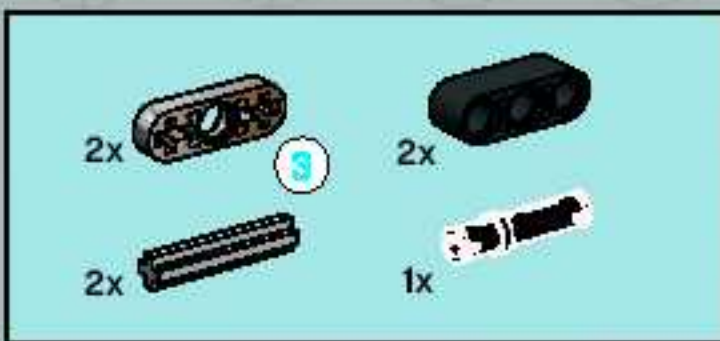


3

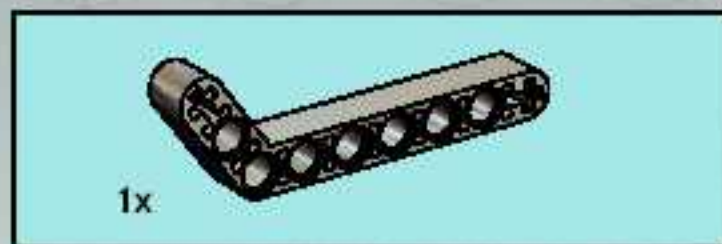
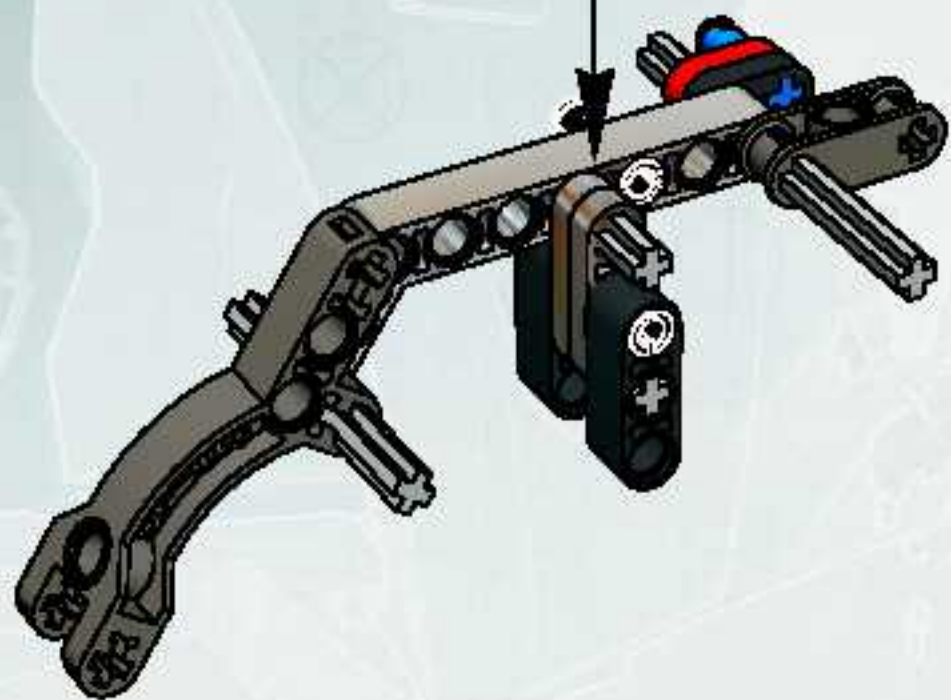
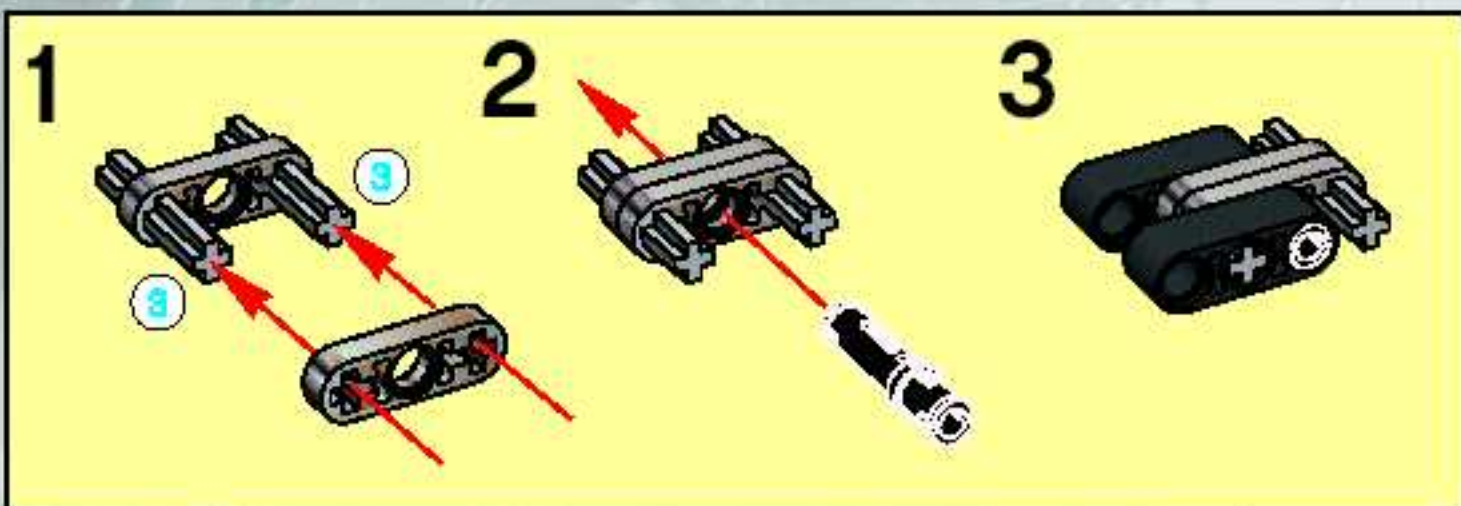


4

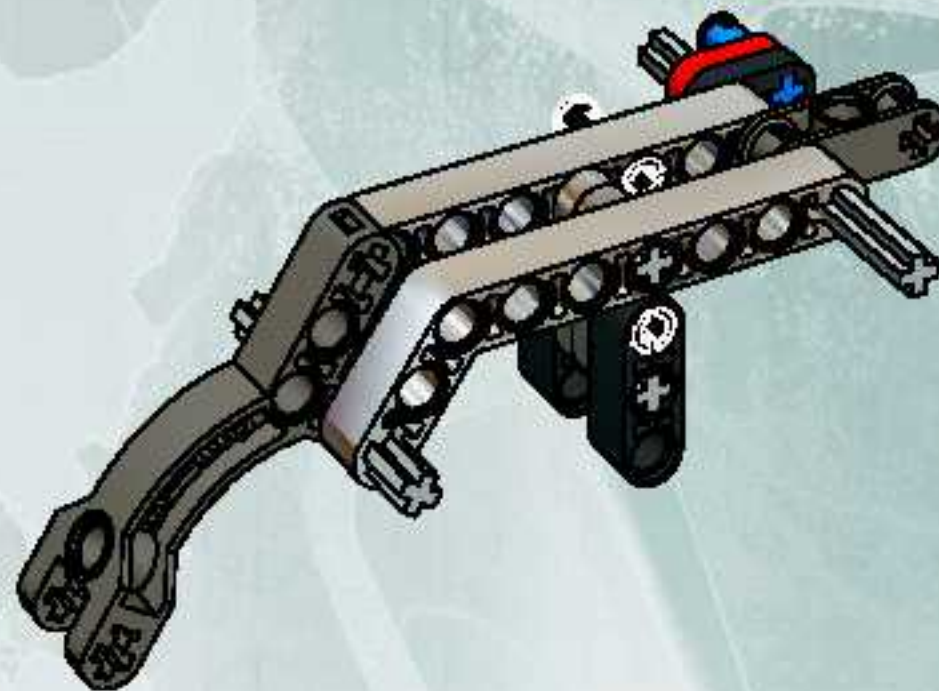




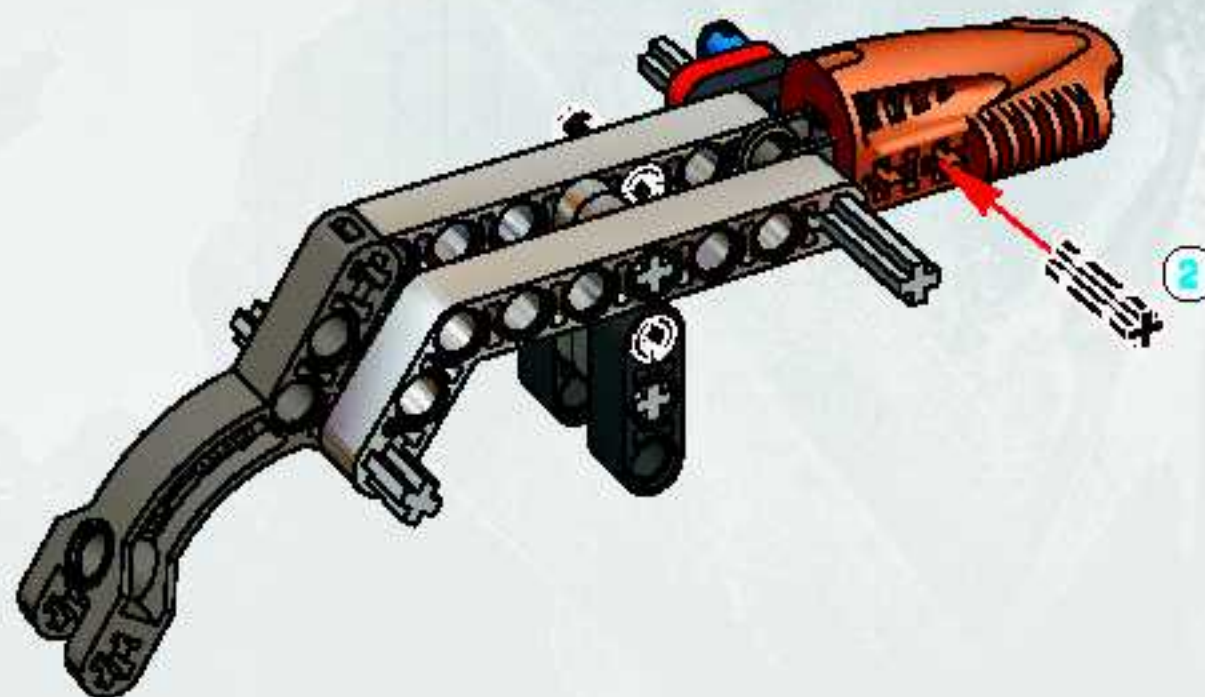
5

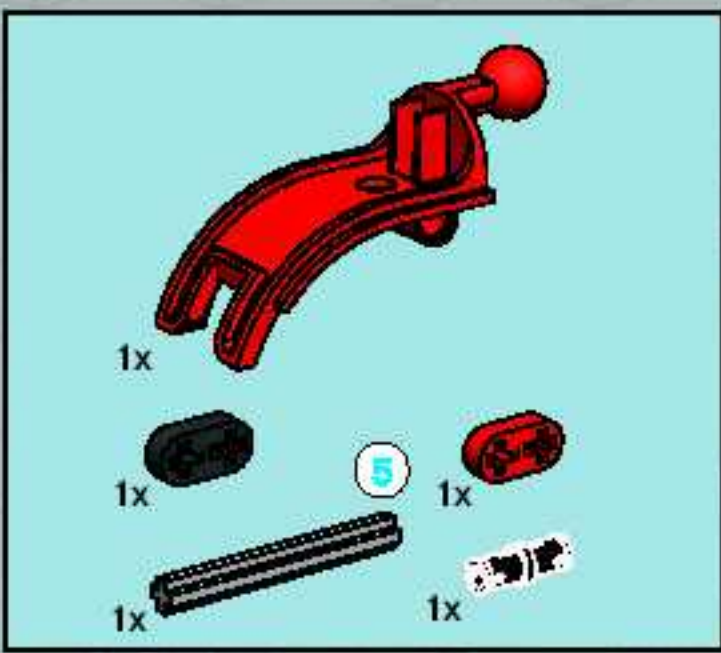


6



7

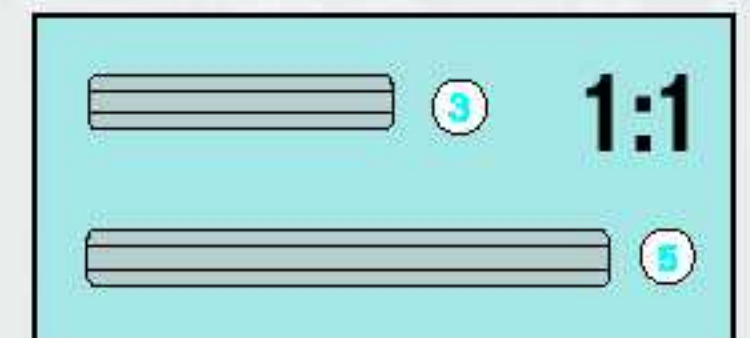
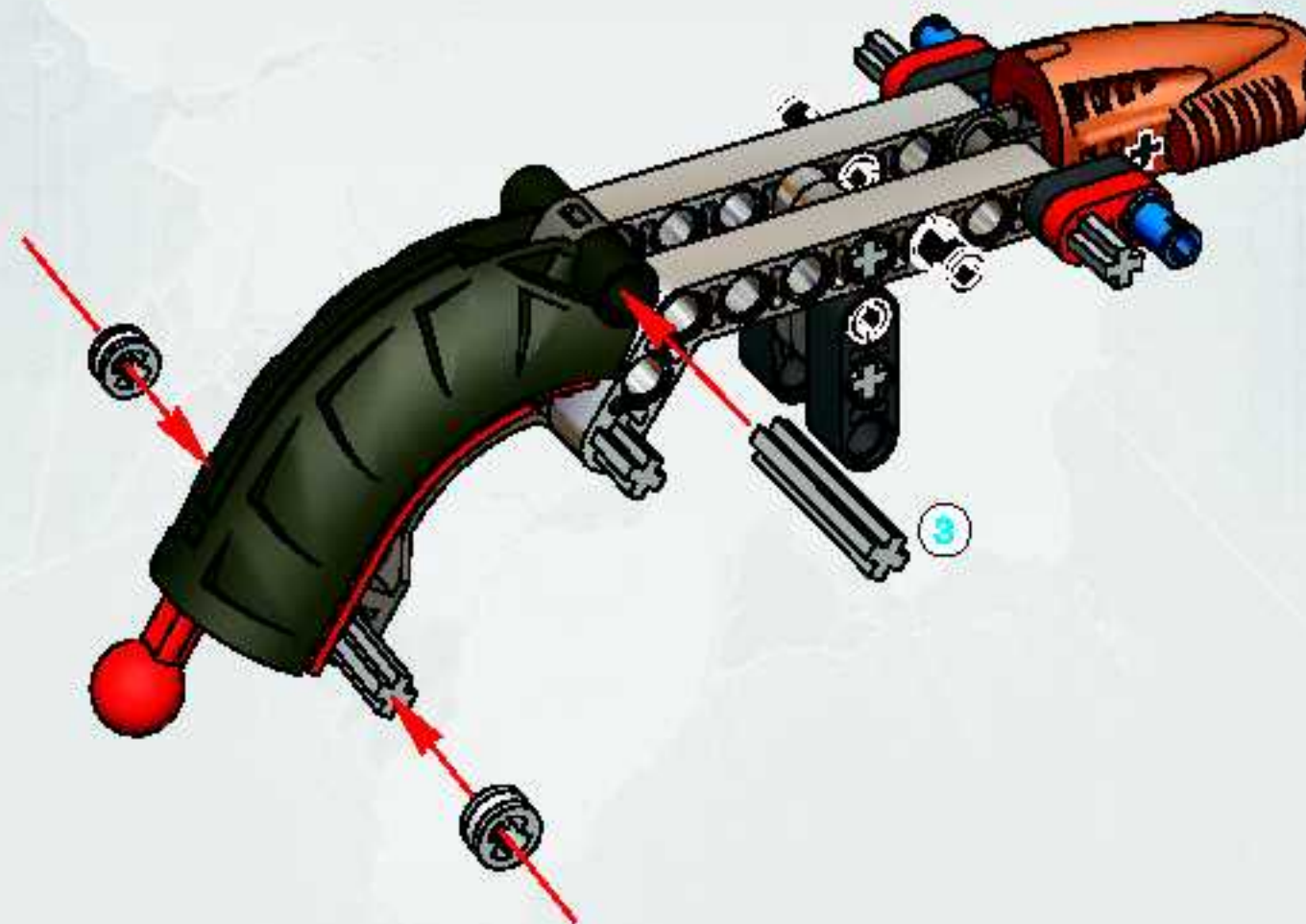




8

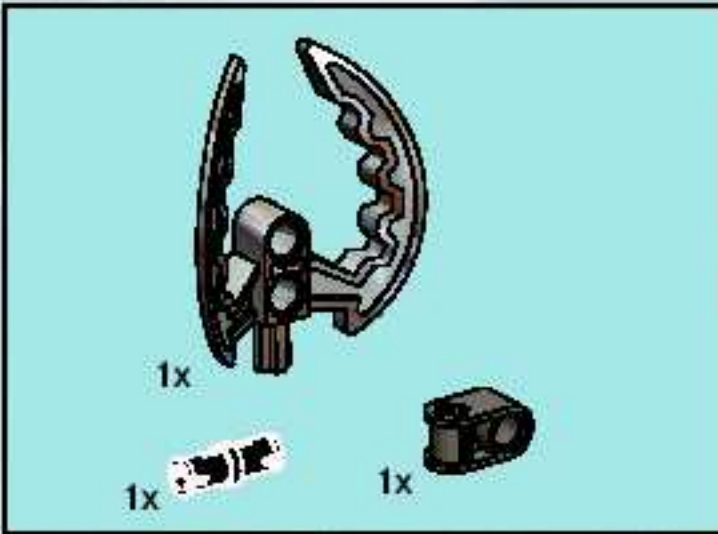
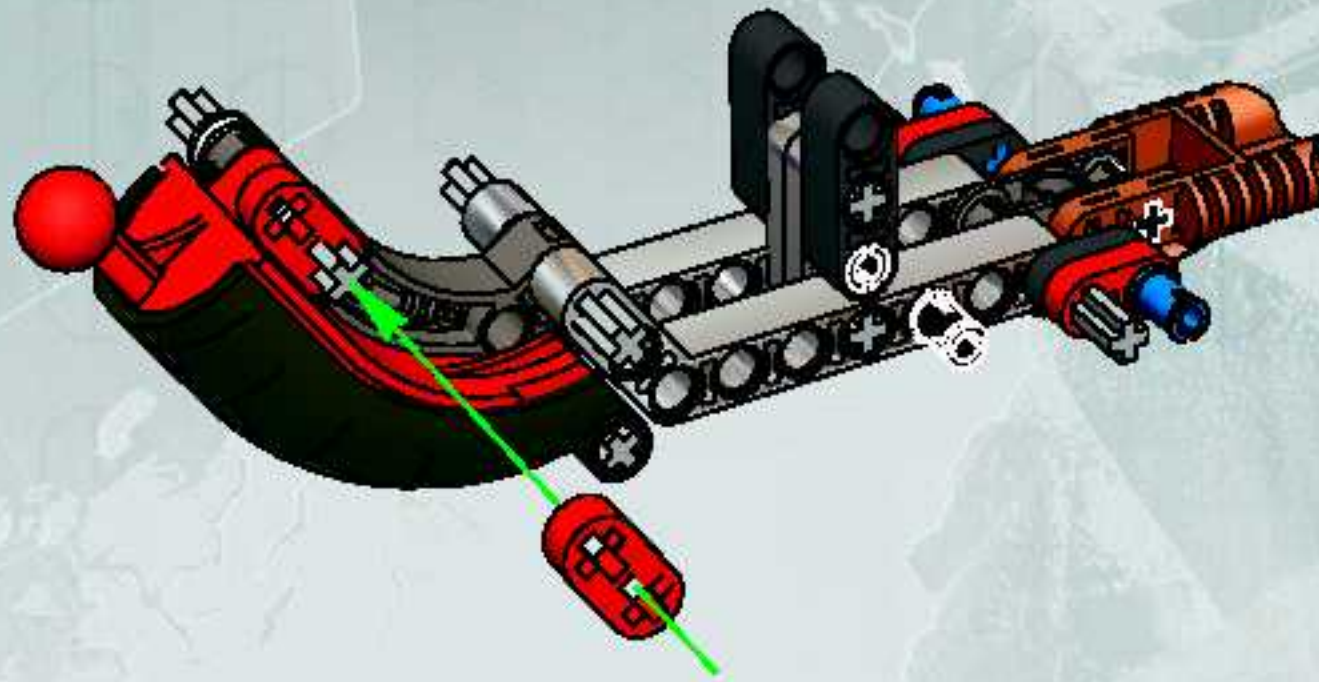


9

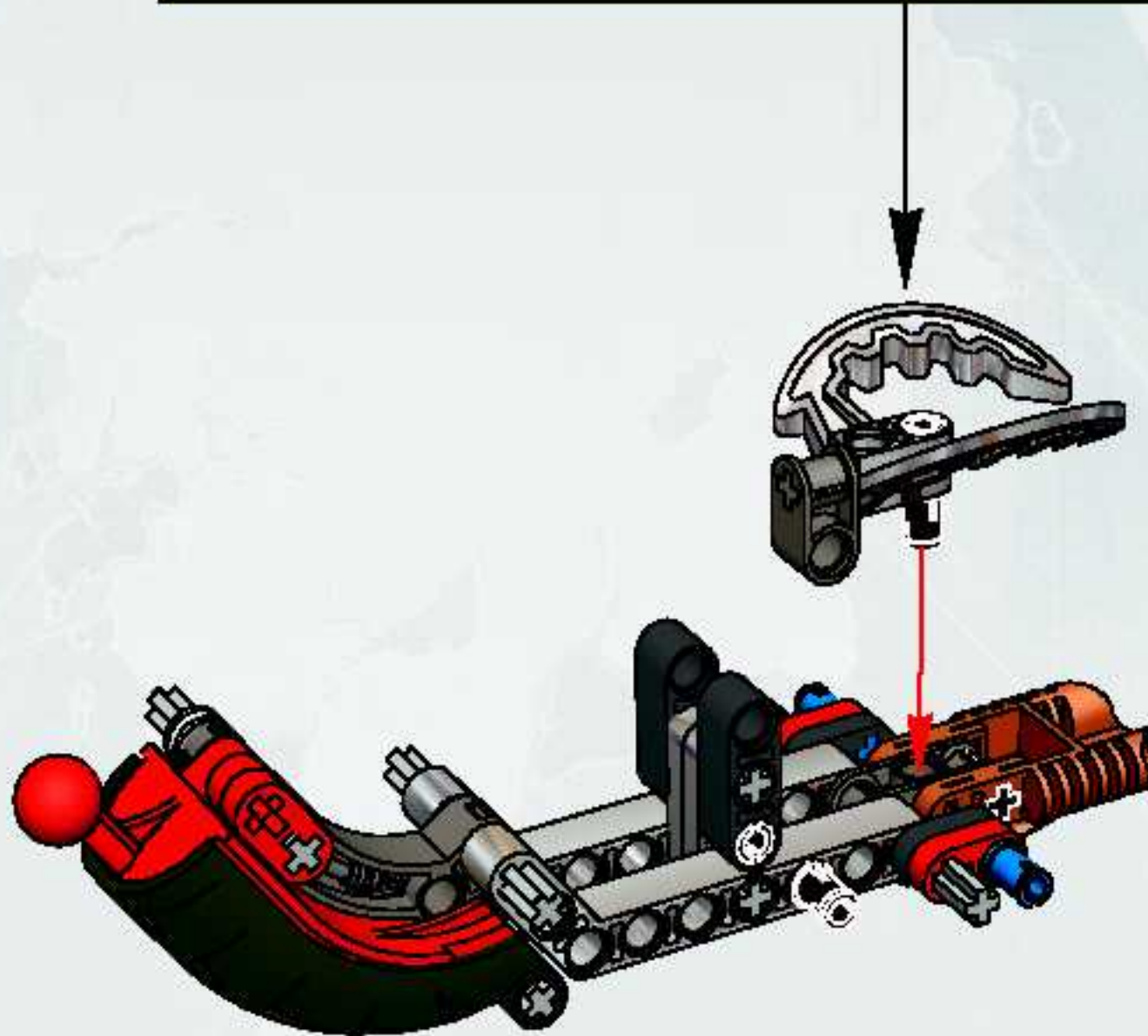
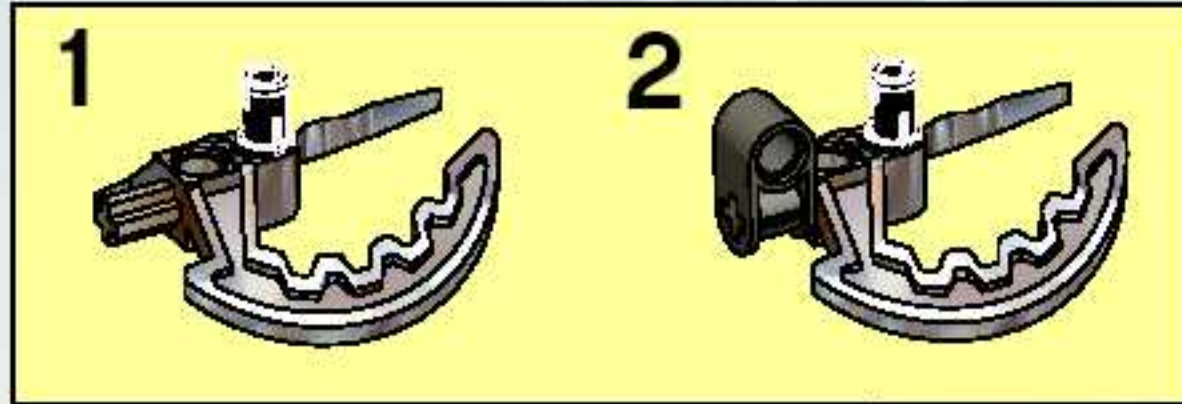


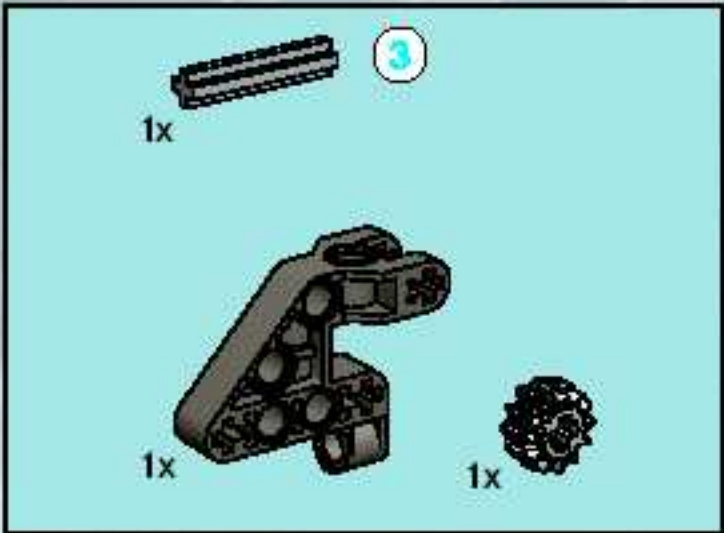
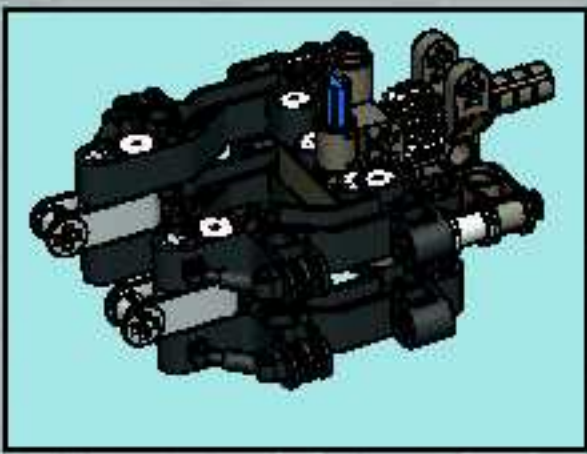


10

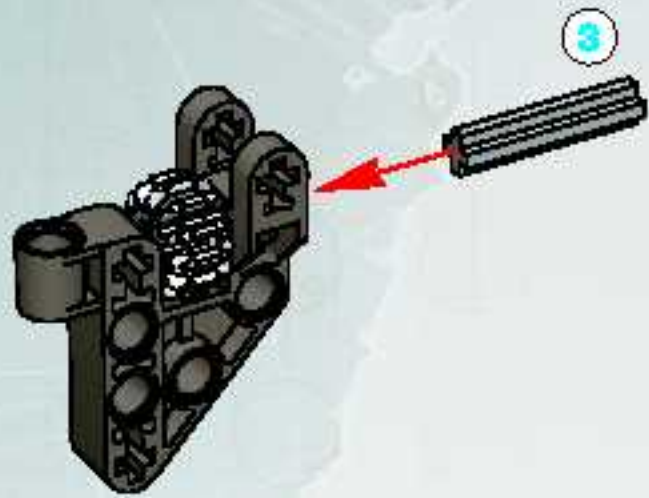


11

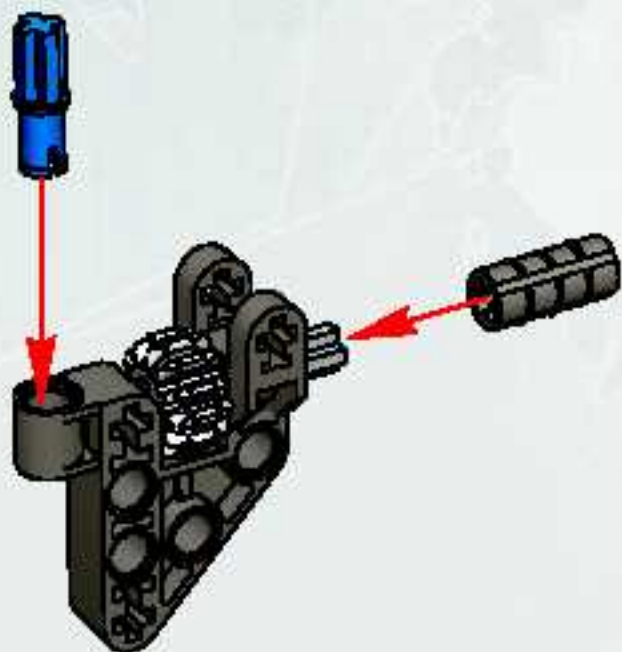




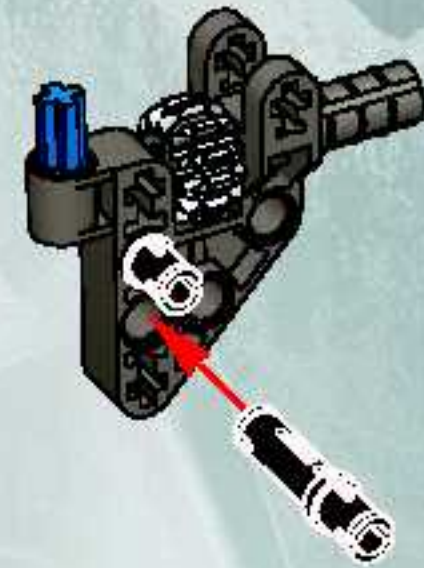
1



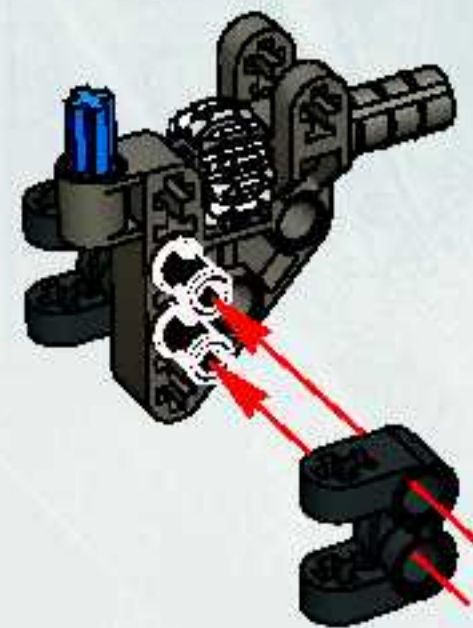
2

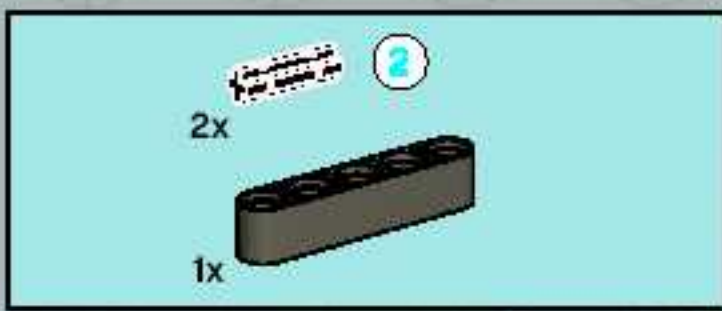


3

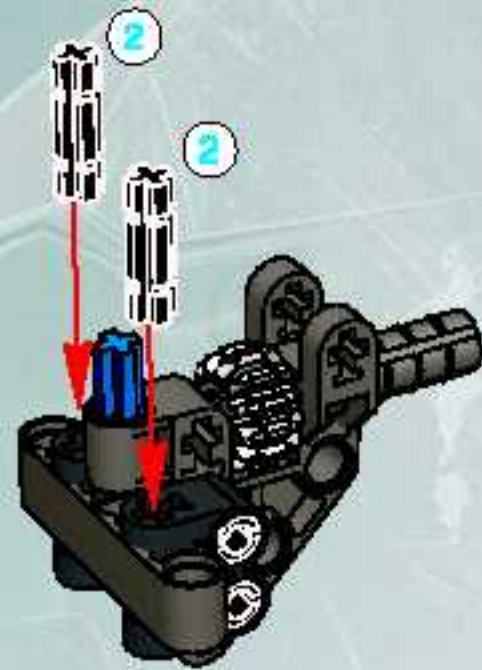


4

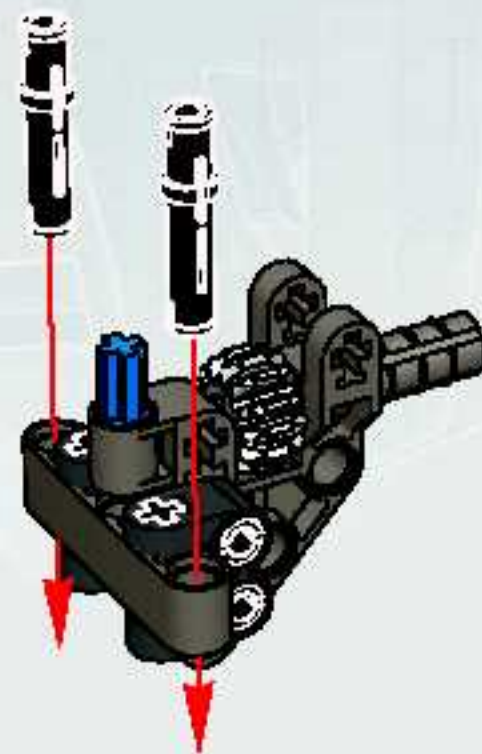




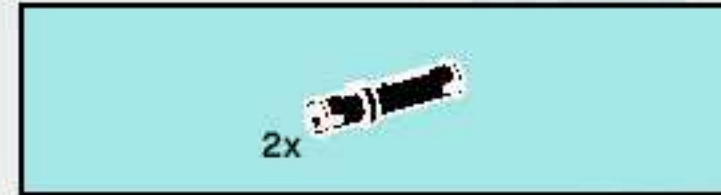
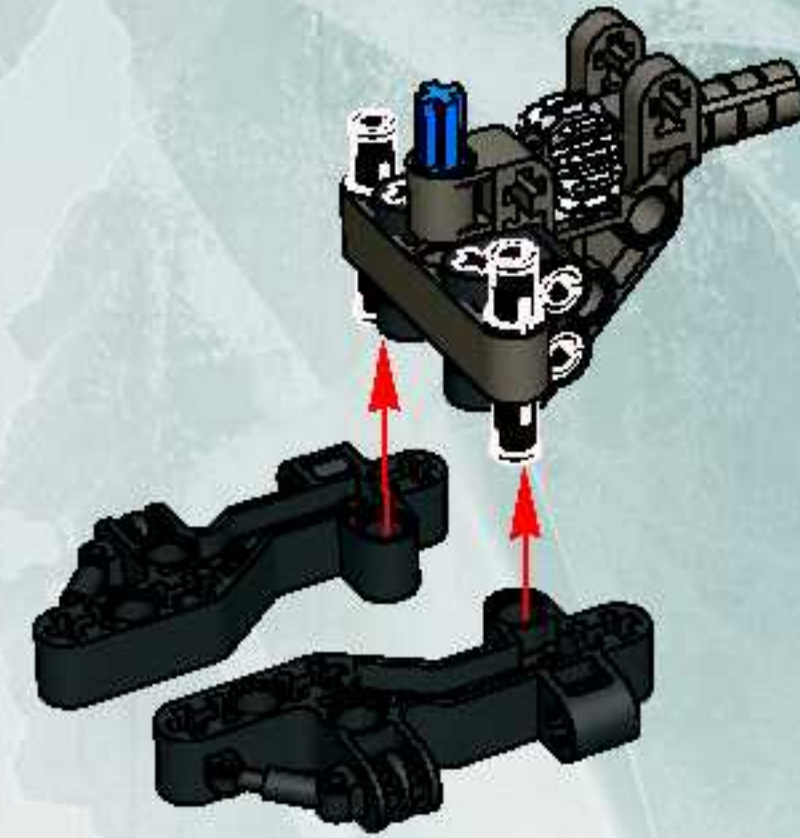
5



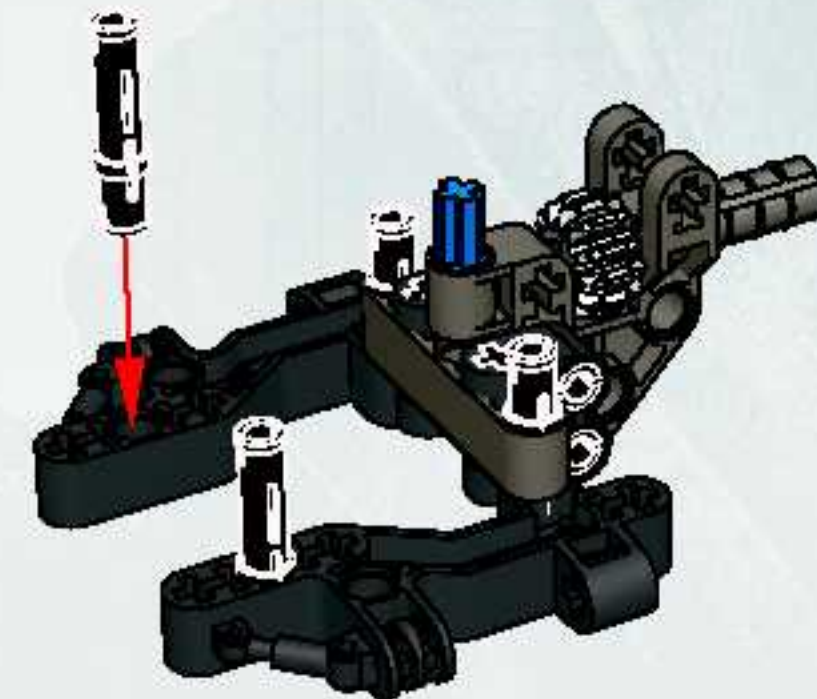
6

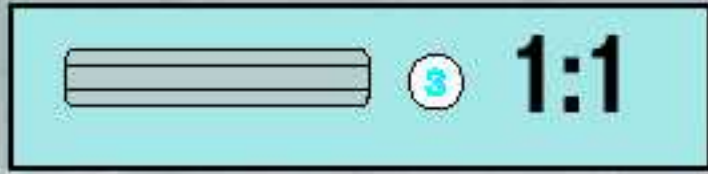
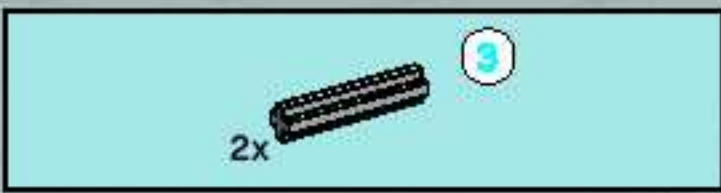


7

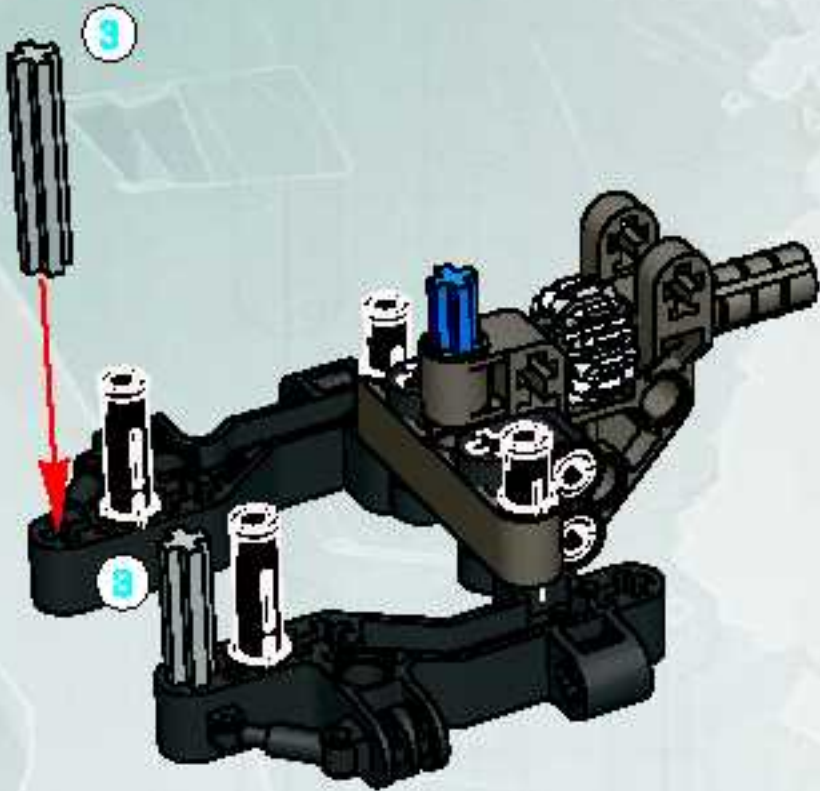


8

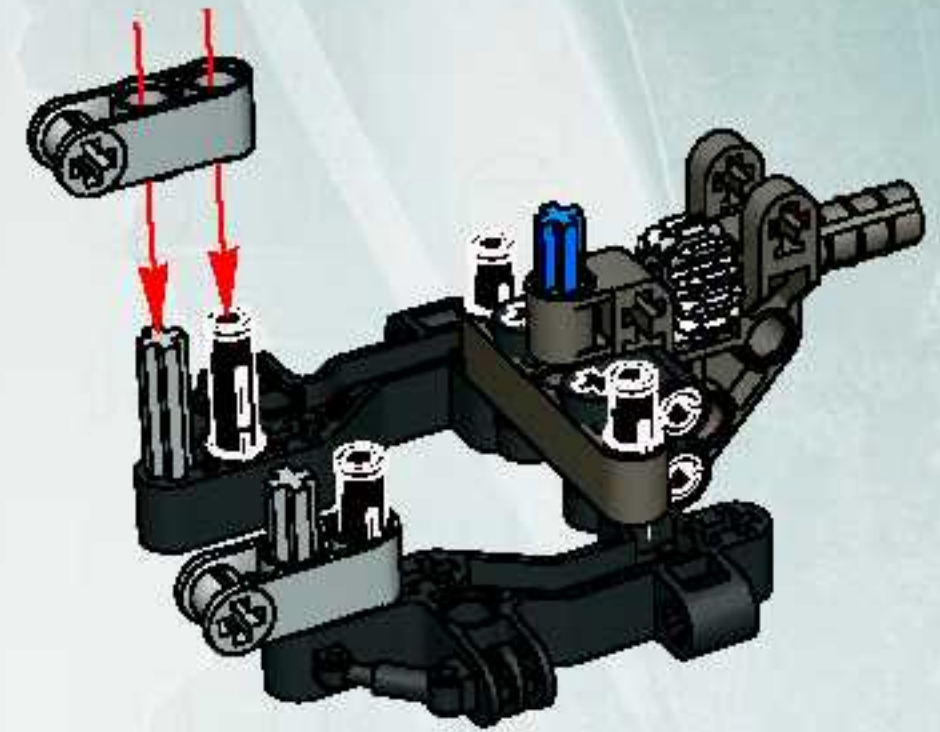


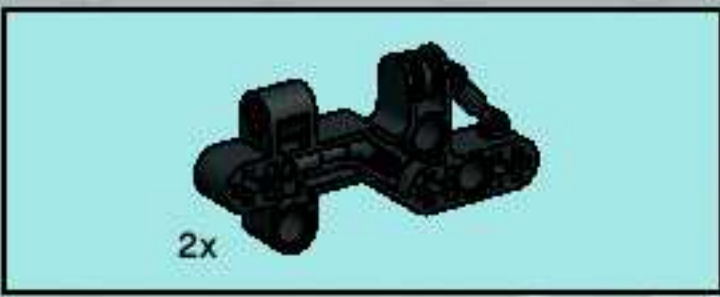


9

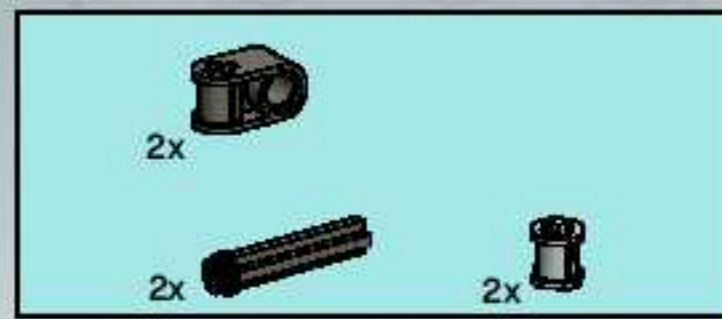
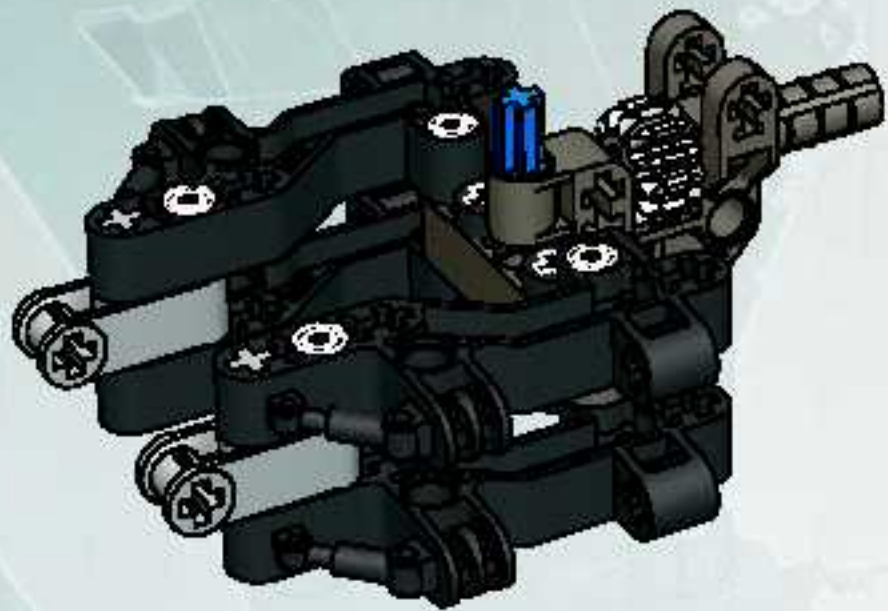


10

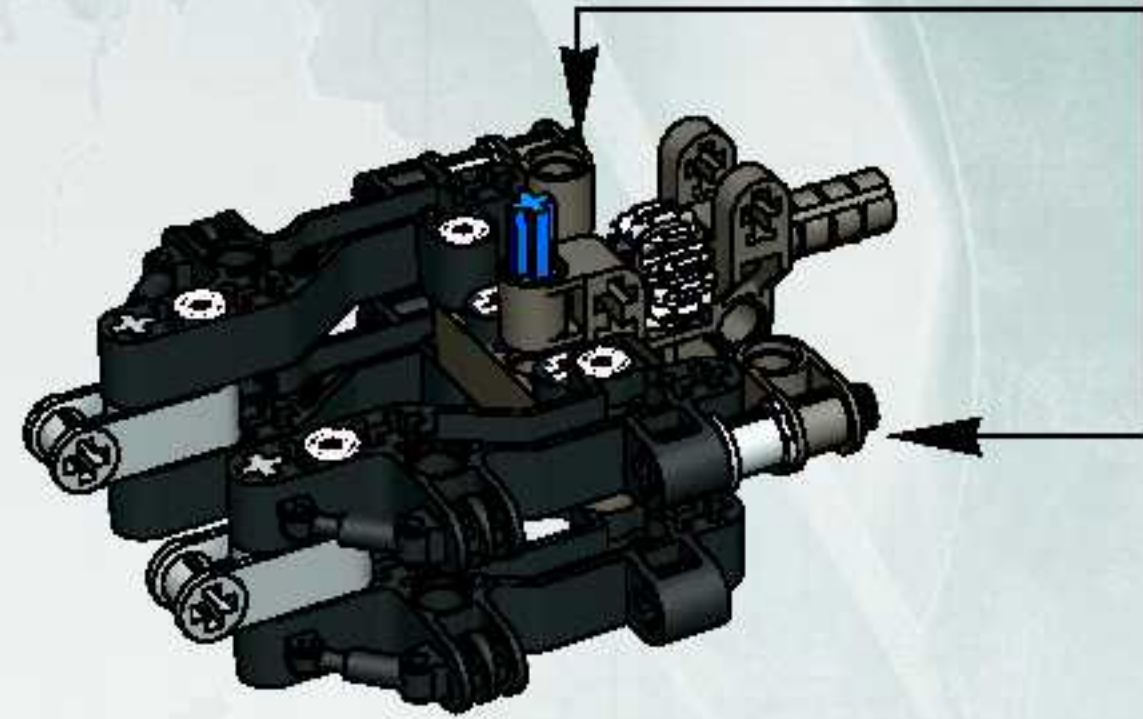
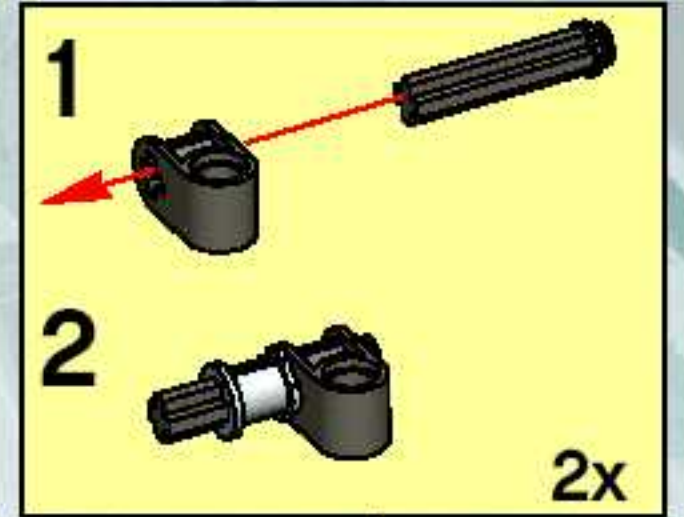




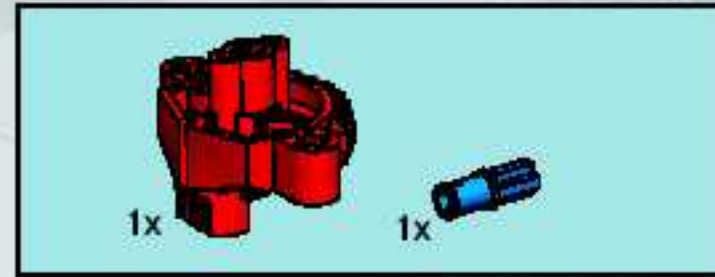
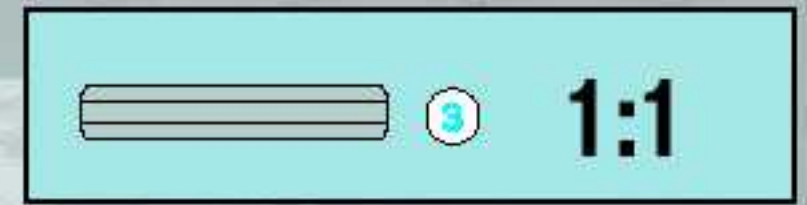
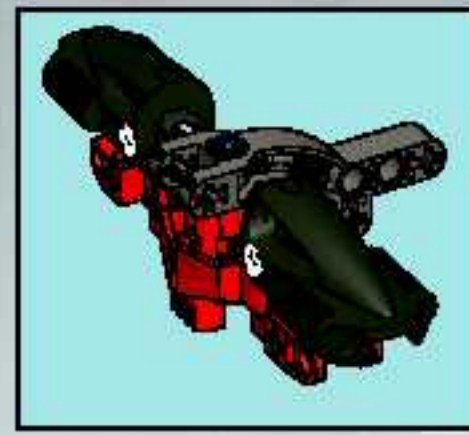
11



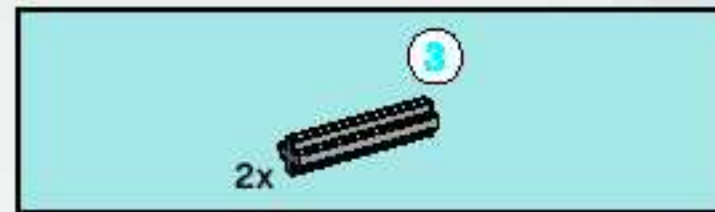
12



12



1

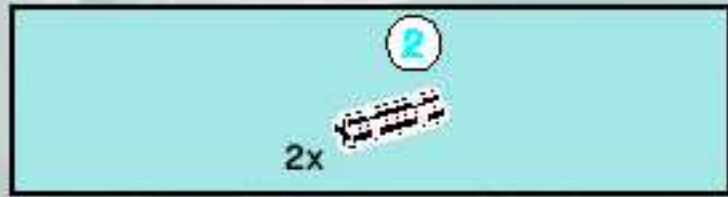


2

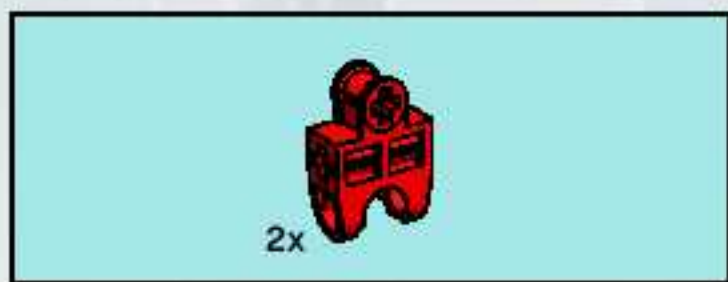
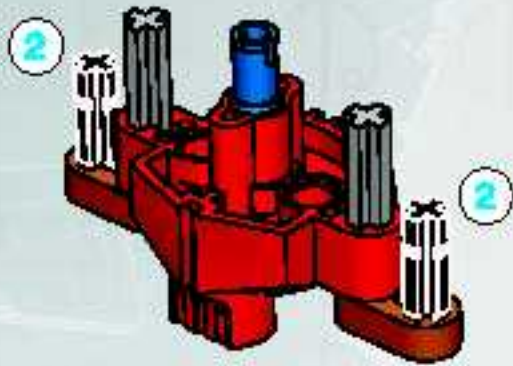




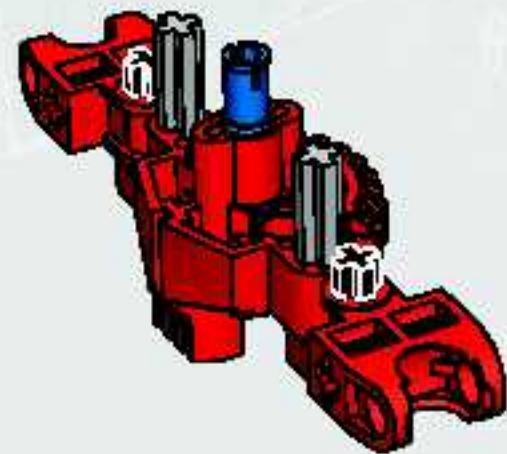
3



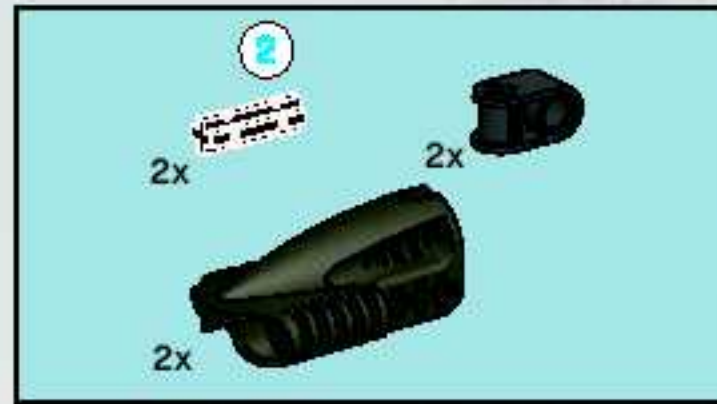
4



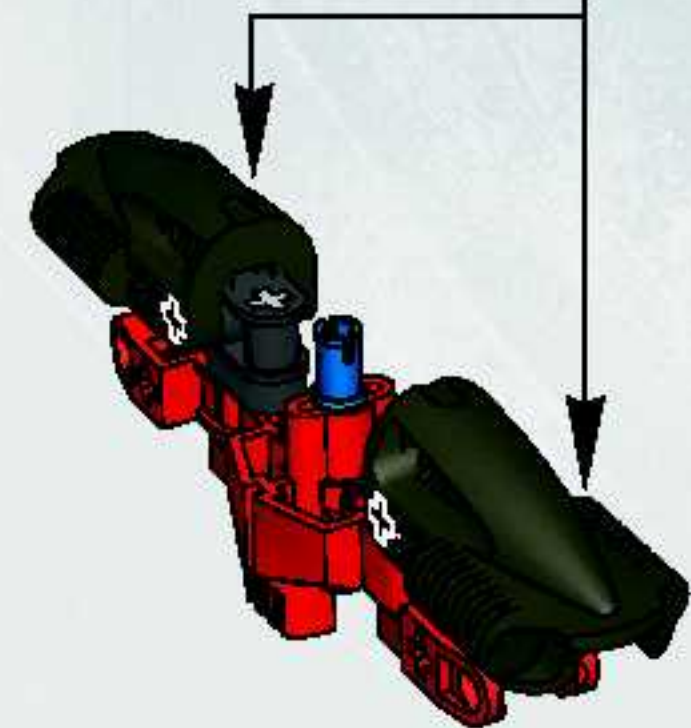
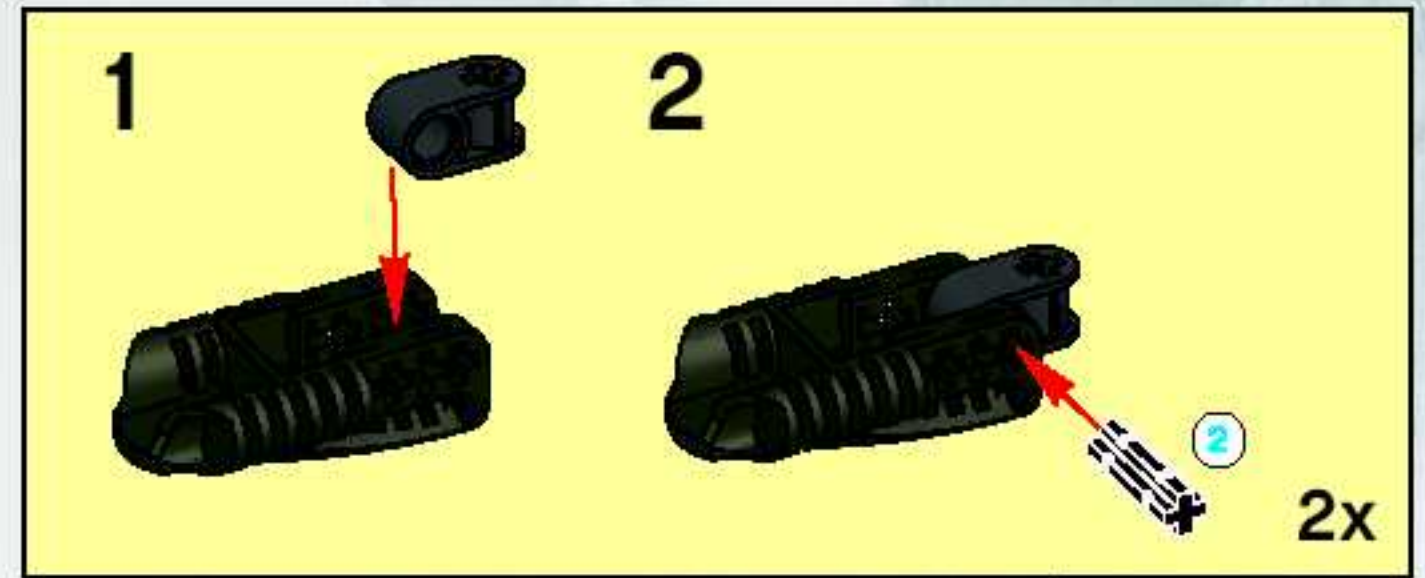
5

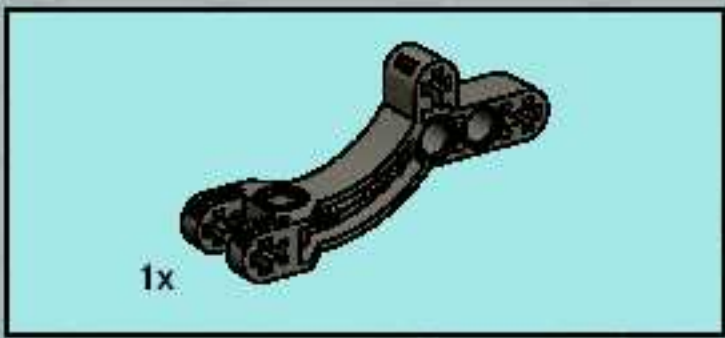


6

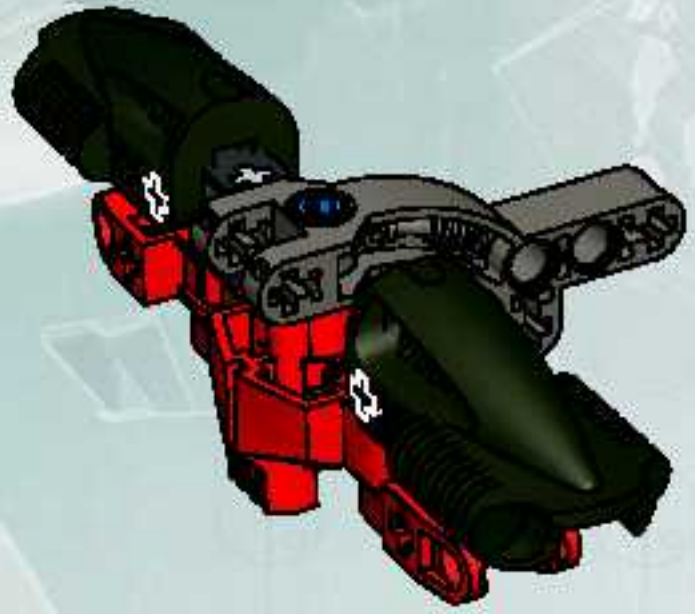


7





8

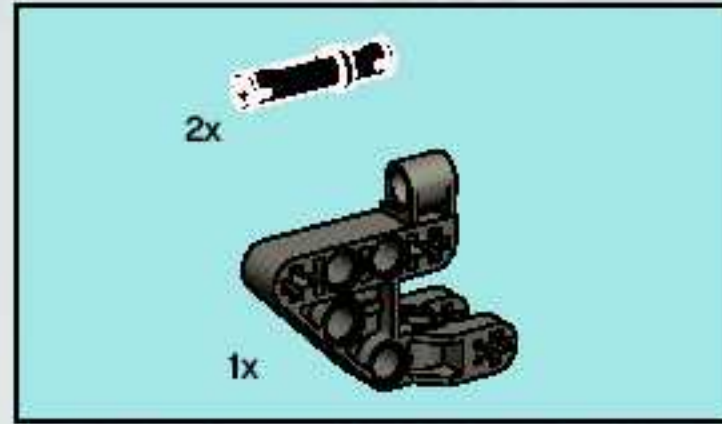
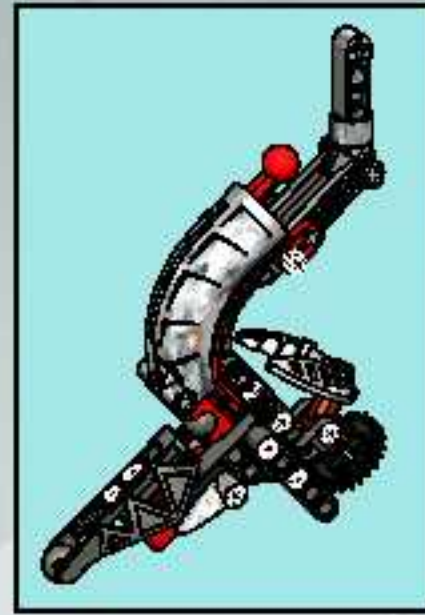
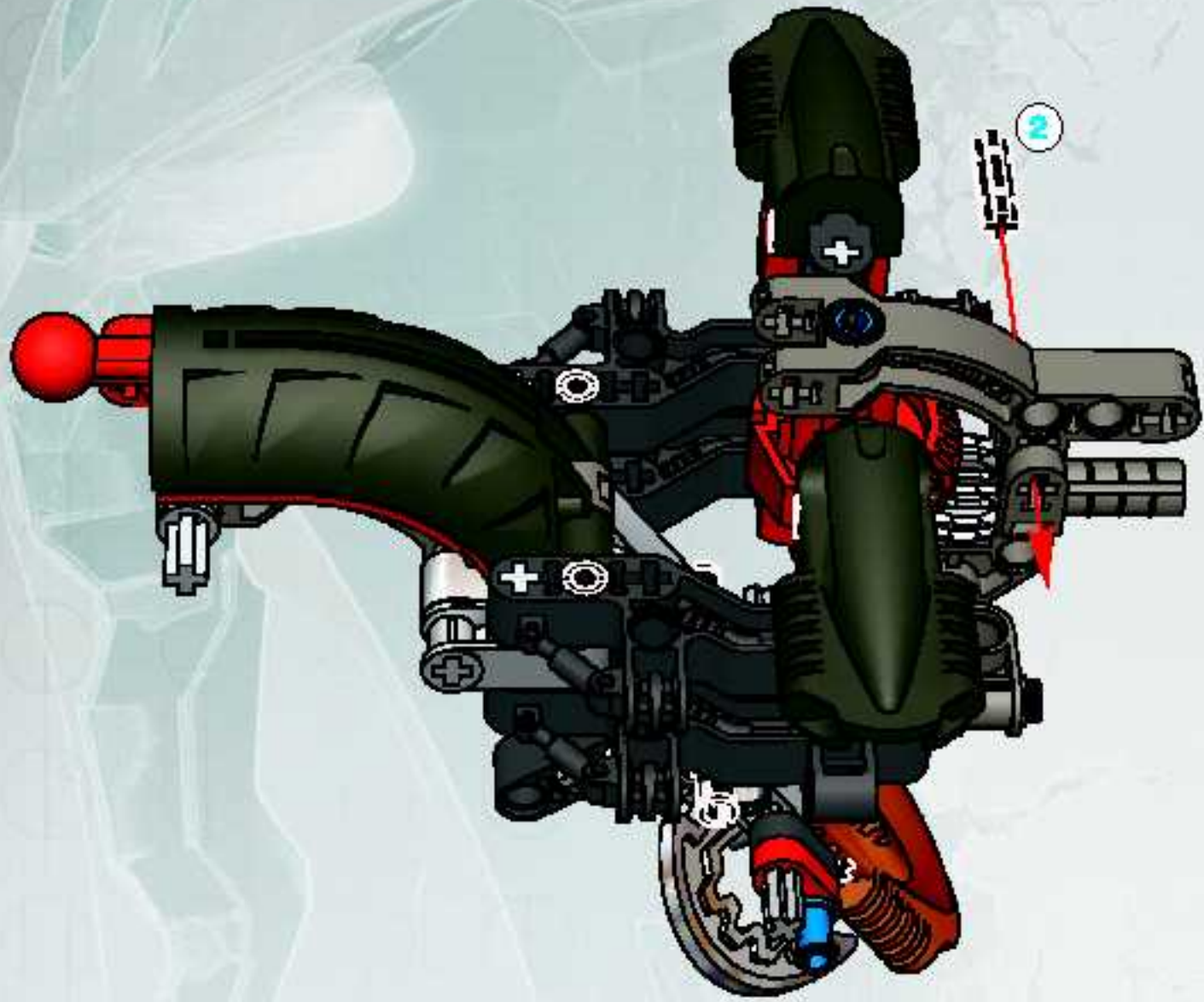


13

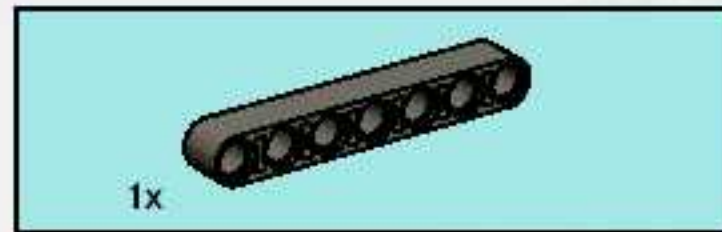
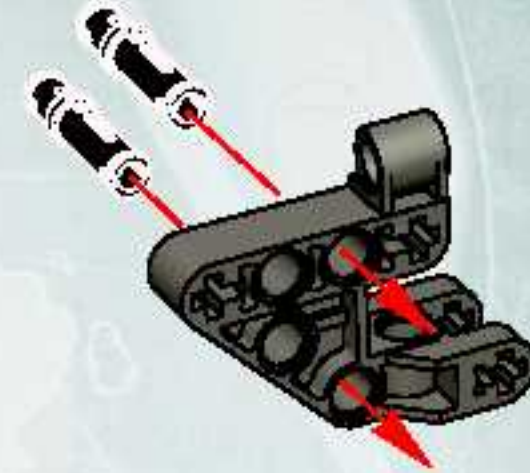




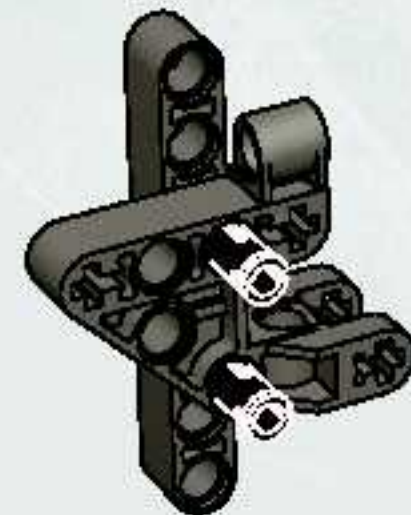
14



1

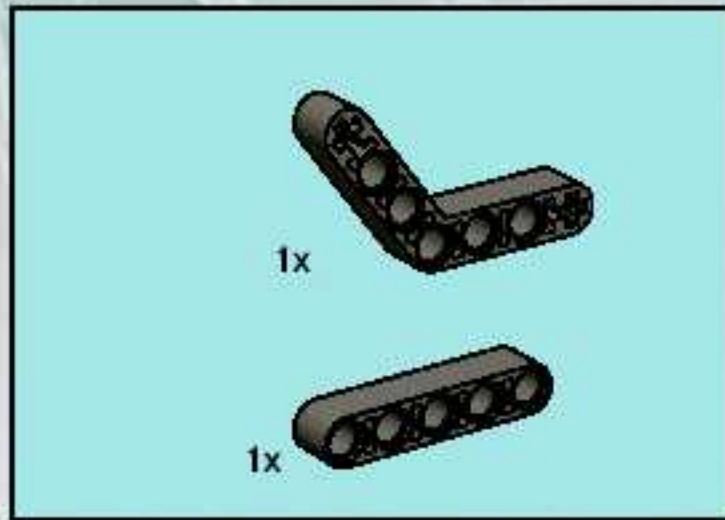
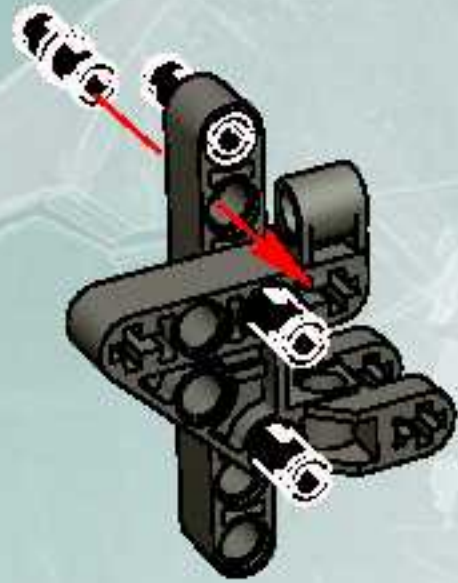


2

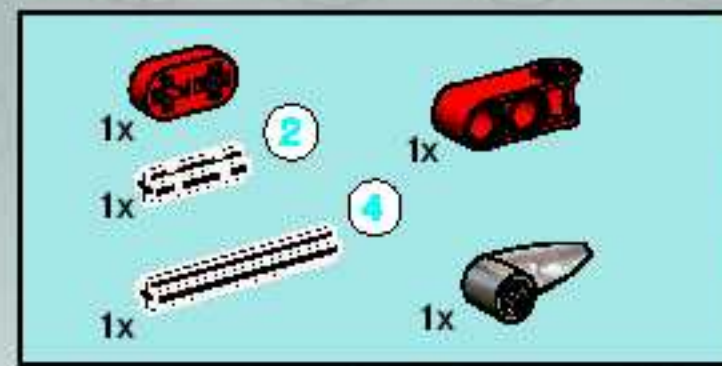
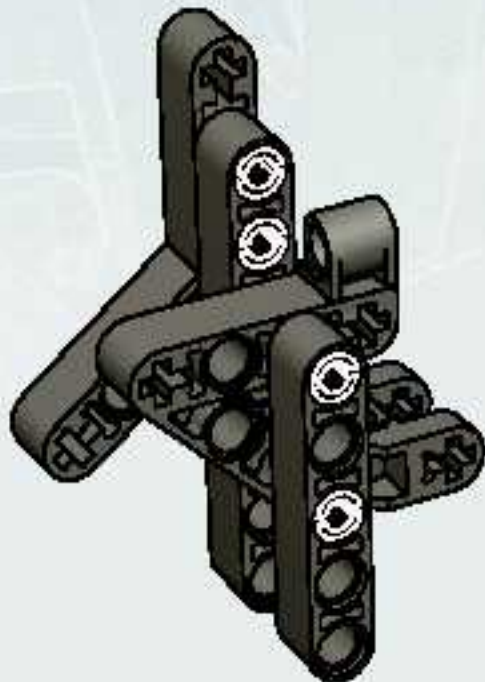




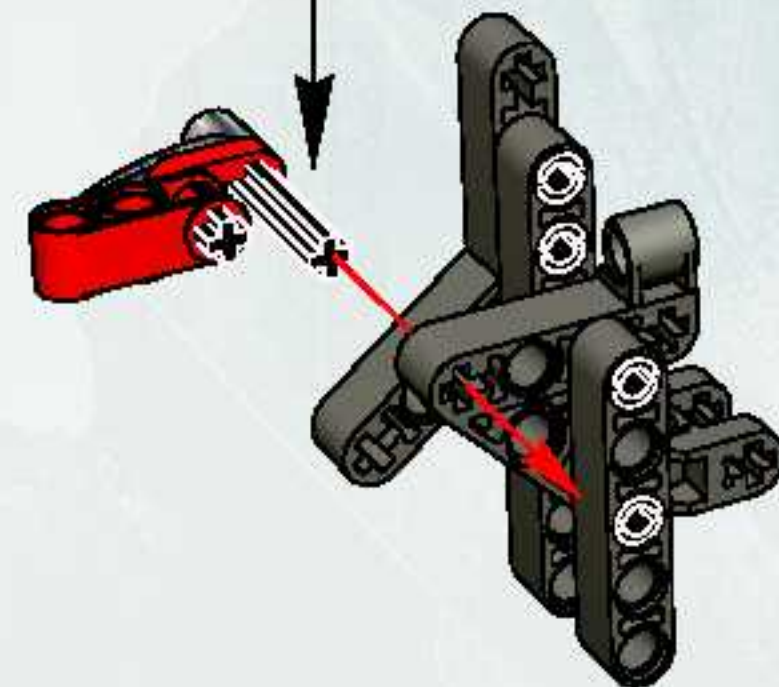
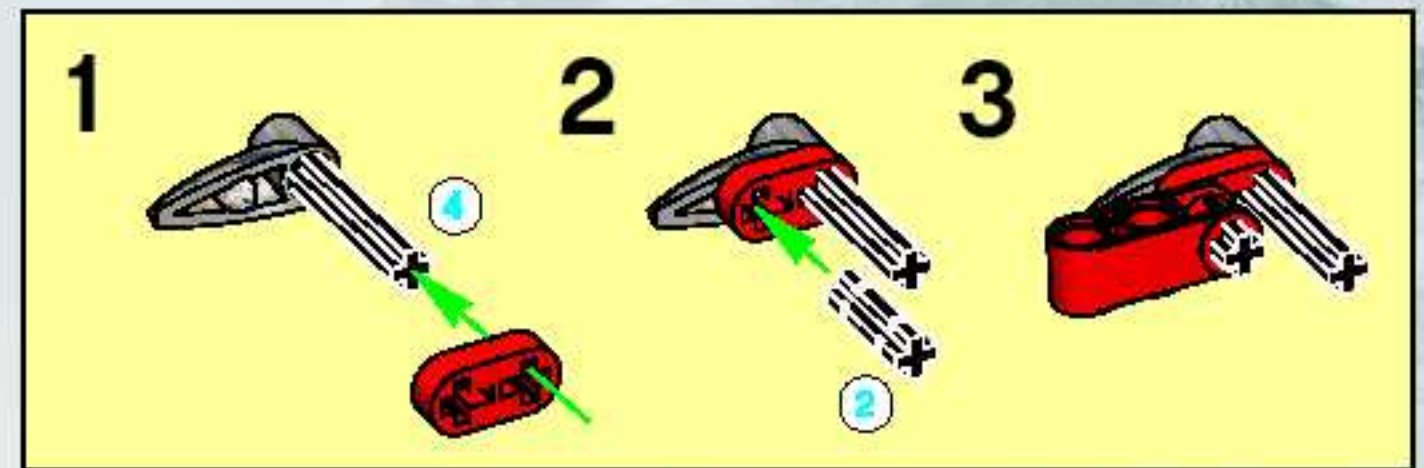
3



4

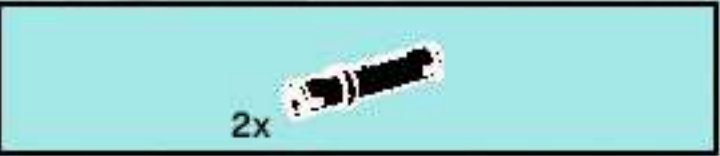
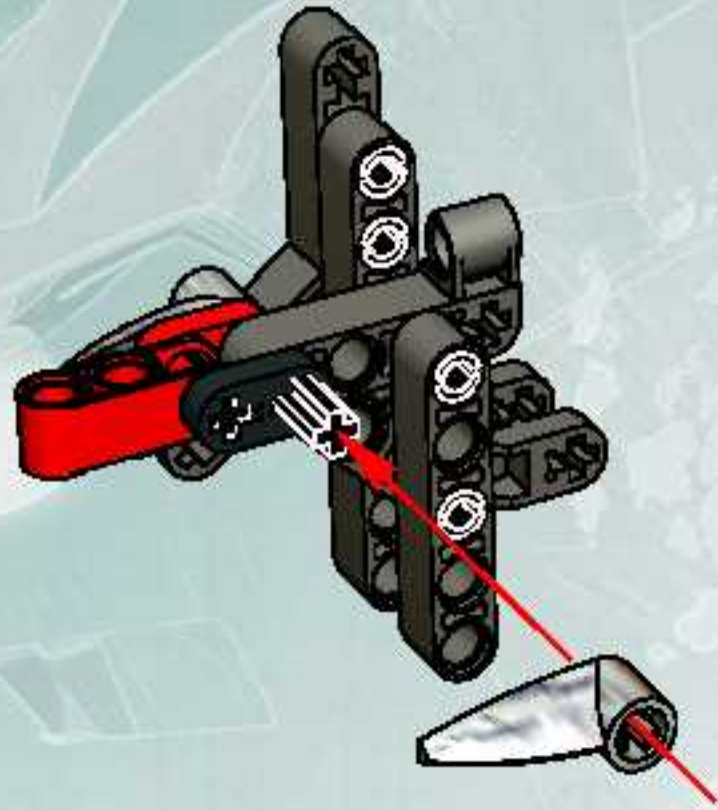


5

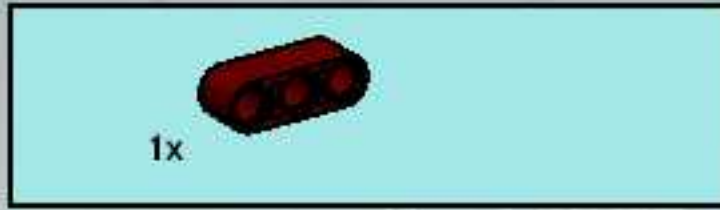
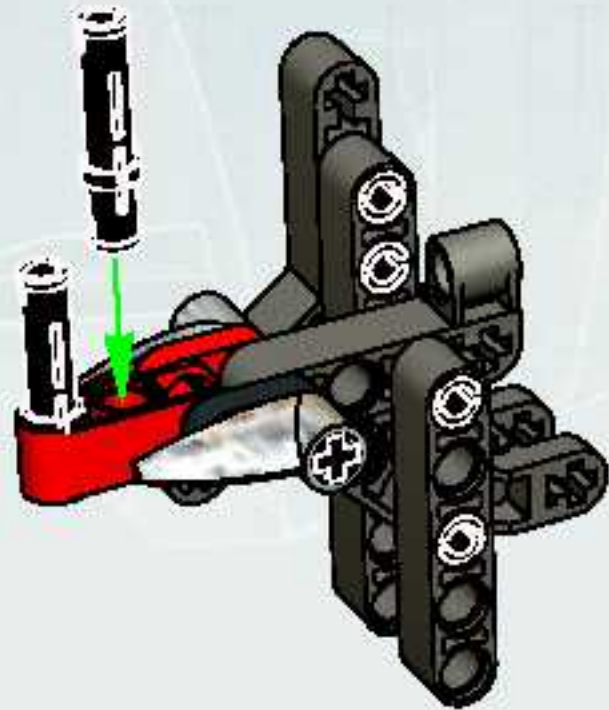




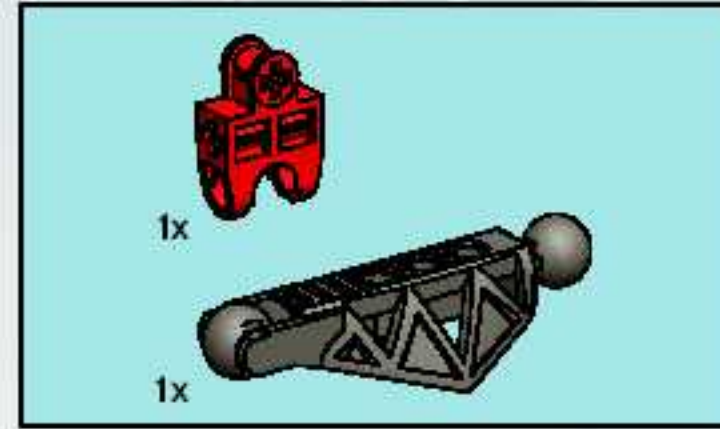
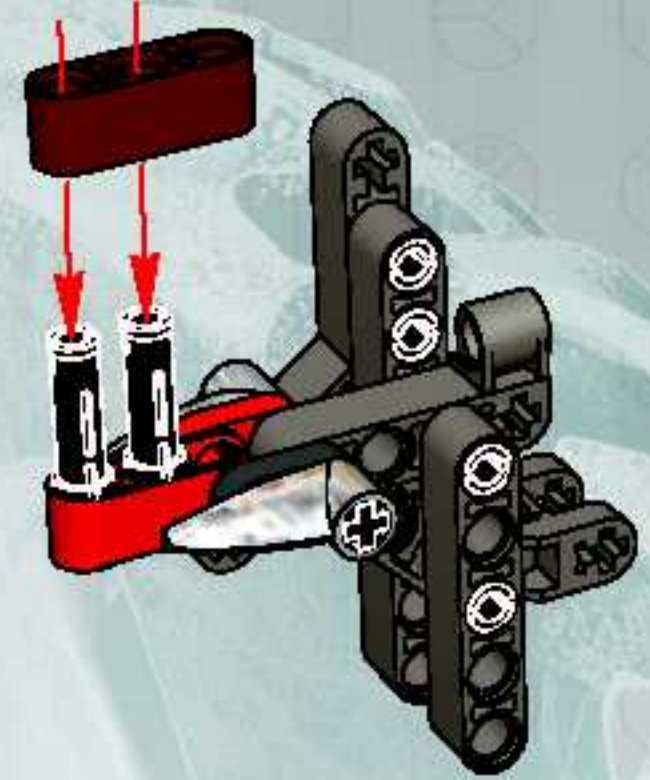
6



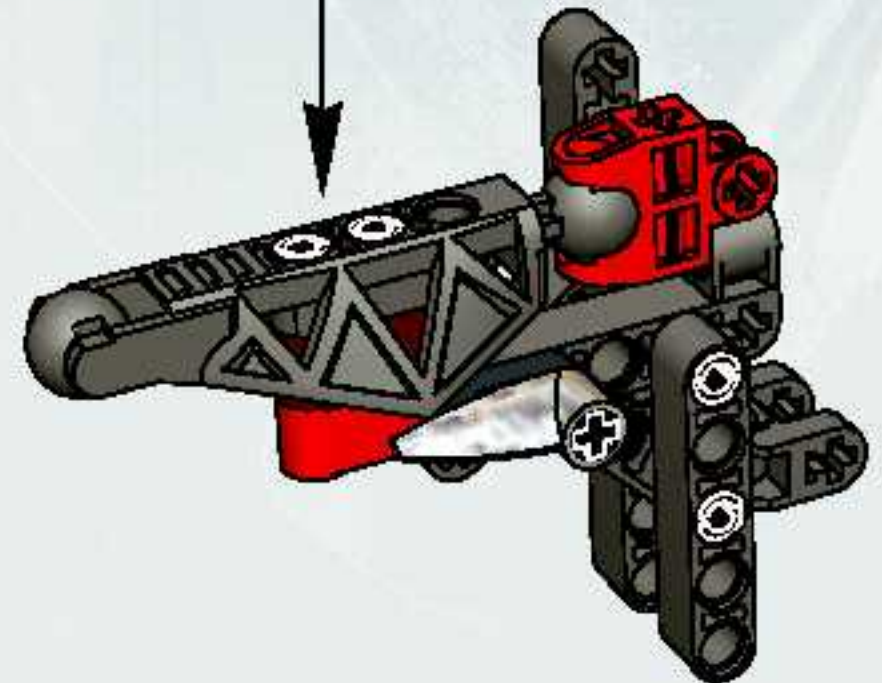
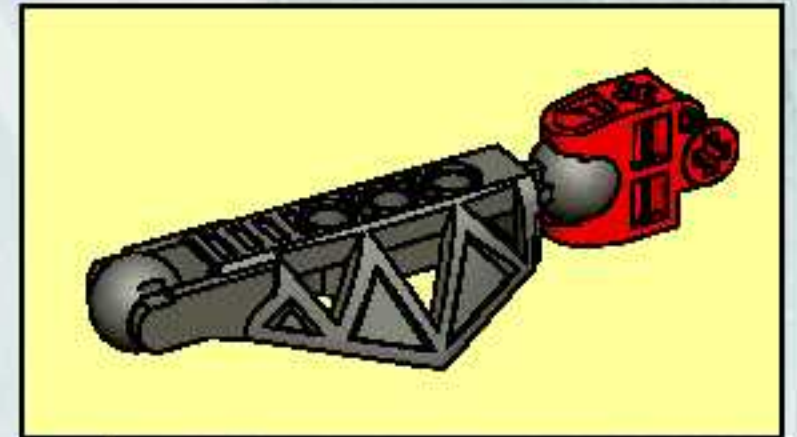
7



8

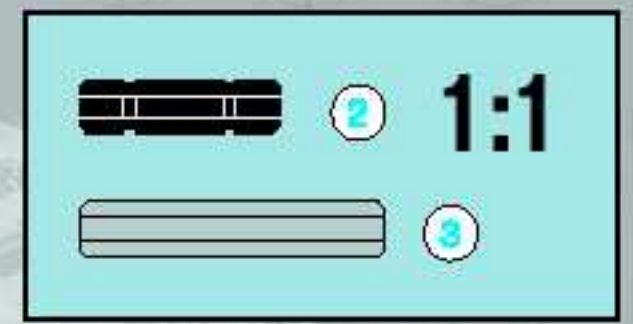


9

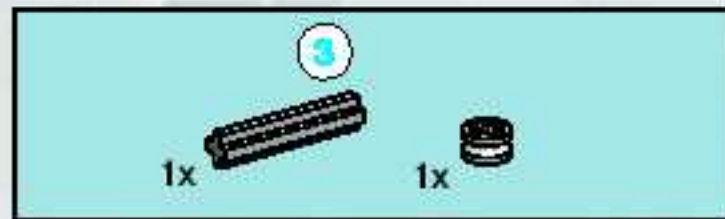
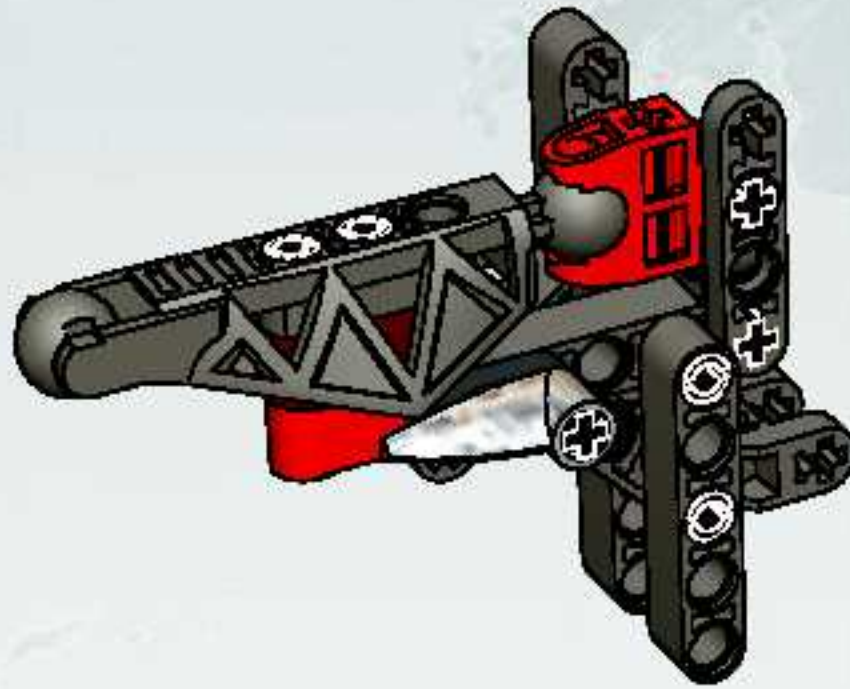




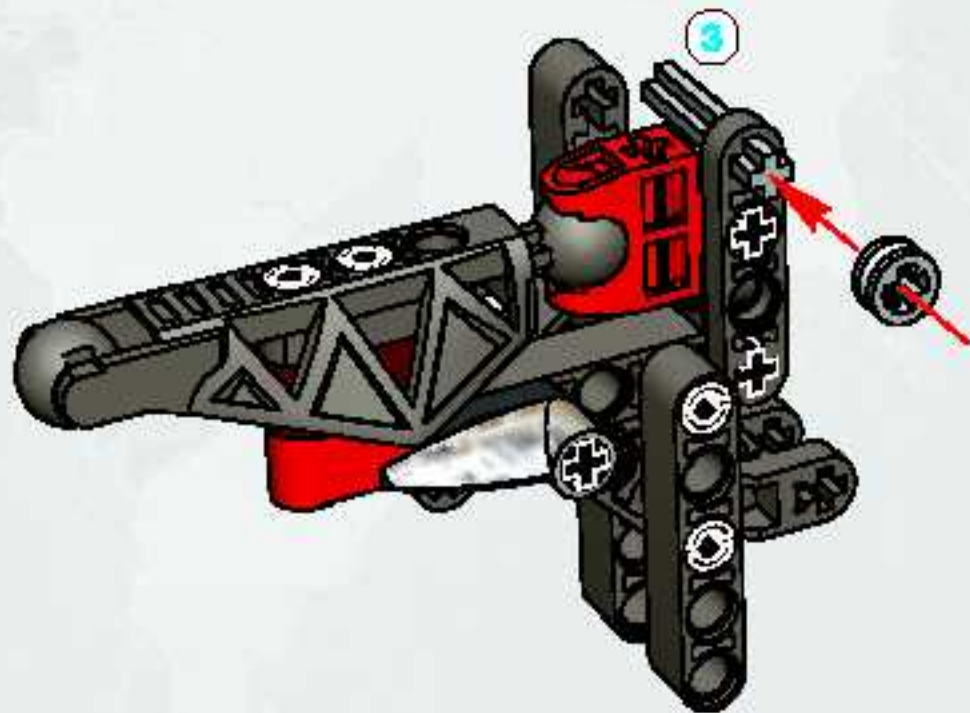
10

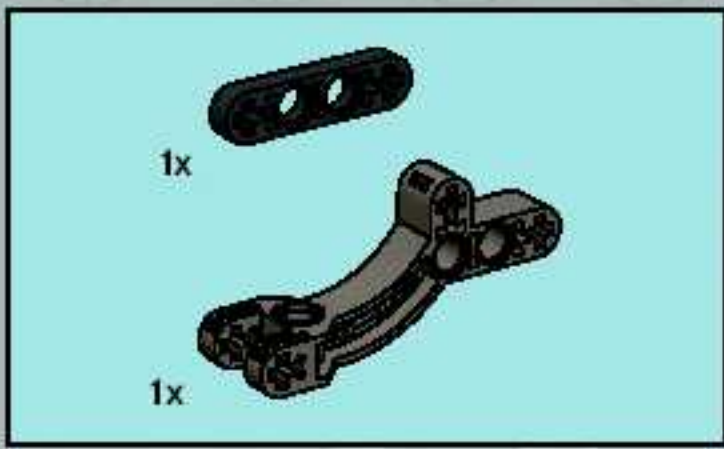


11



12

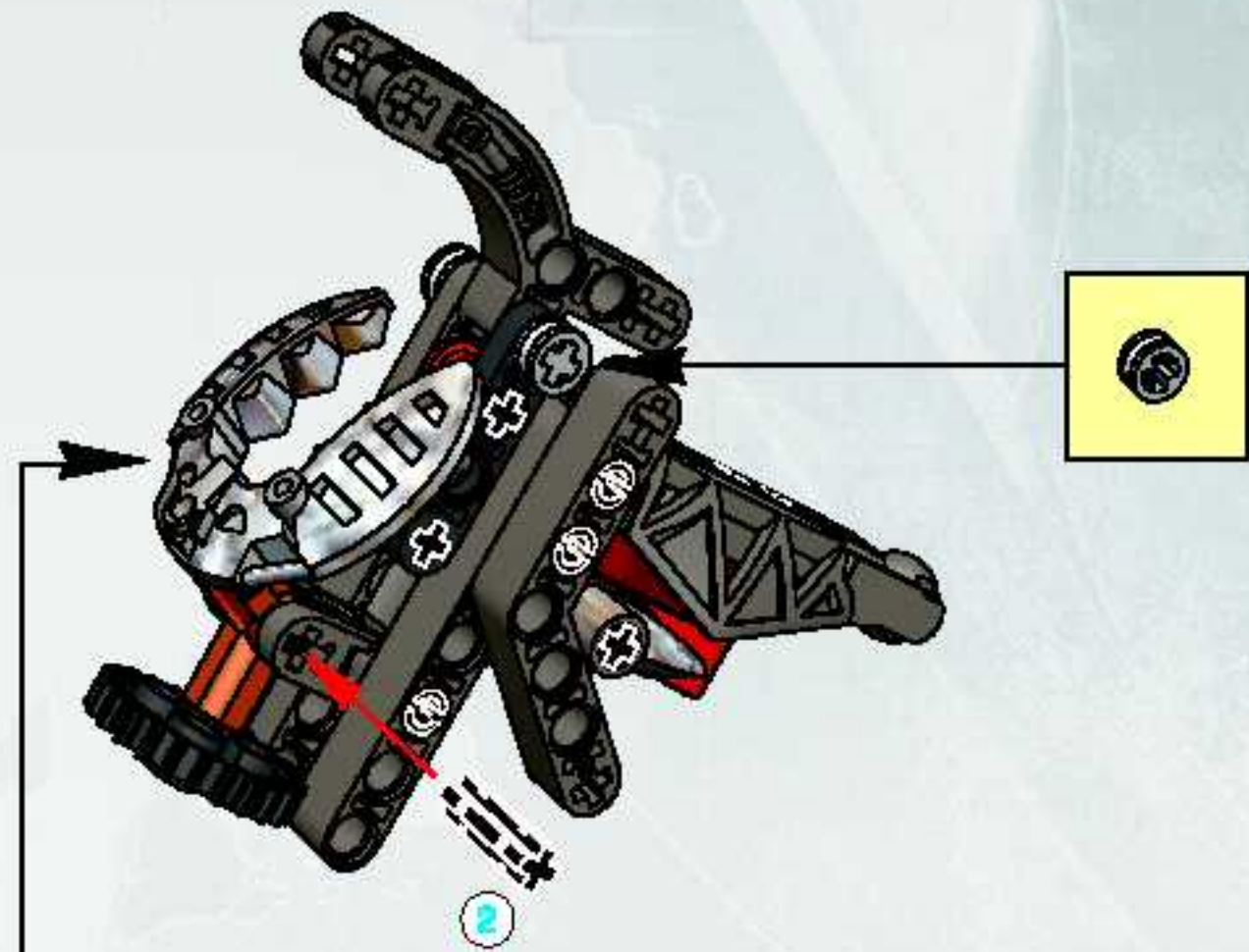
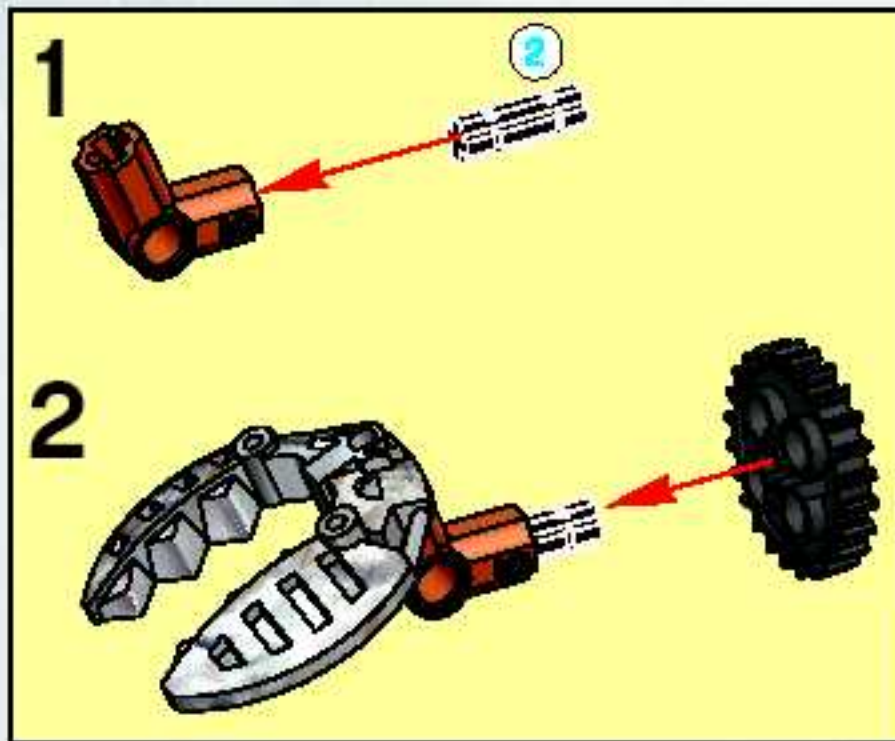


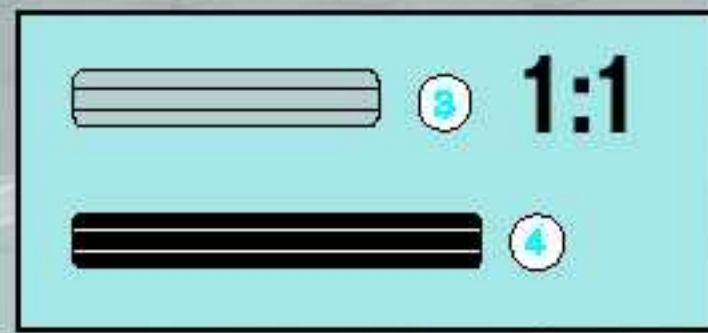
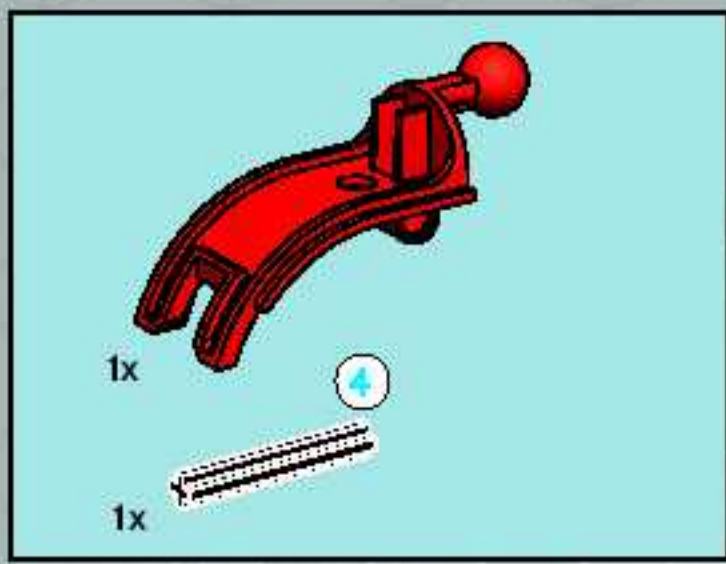


13

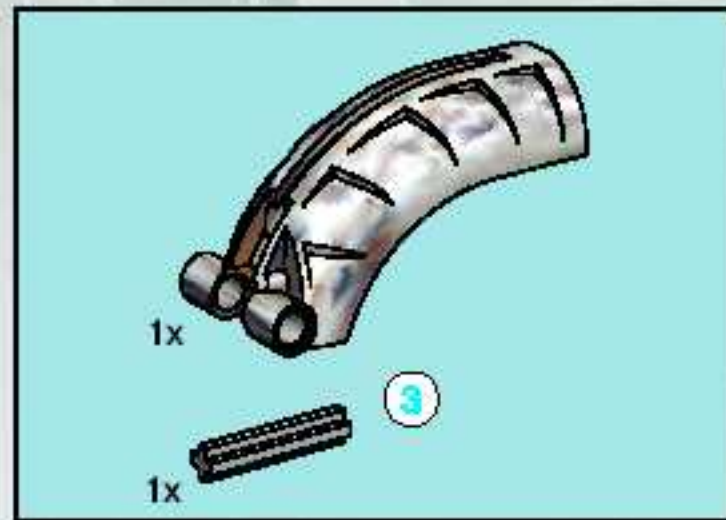


14

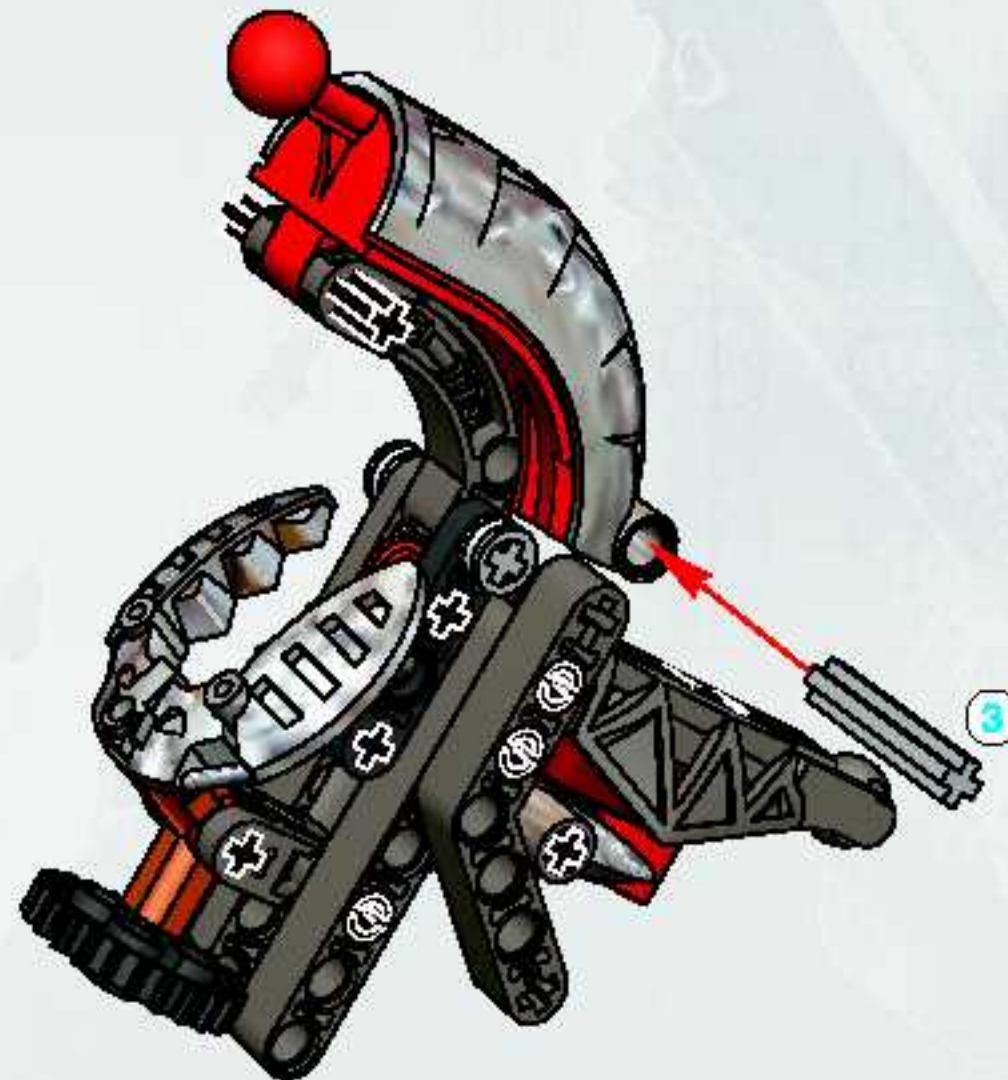




15



16





8595
Takua &
Pewku



8594
Jaller &
Gukko



8596
Takanuva





8587 Panrahk



8588 Kurahk



8589 Lerahk

RAHKS

8590 Guurahk



8591 Vorahk



8592 Turahk





KRAATA



www.bionicle.com



BIONICLE™

THE MOVIE

MASK OF LIGHT

www.maskoflight.com

BIONICLE™

THE GAME



www.bionicle.com/thegame

PlayStation 2

NINTENDO
GAMECUBE

XBOX

PC CD-ROM

Watch out, you're on a
pentium 4

GAME BOY ADVANCE