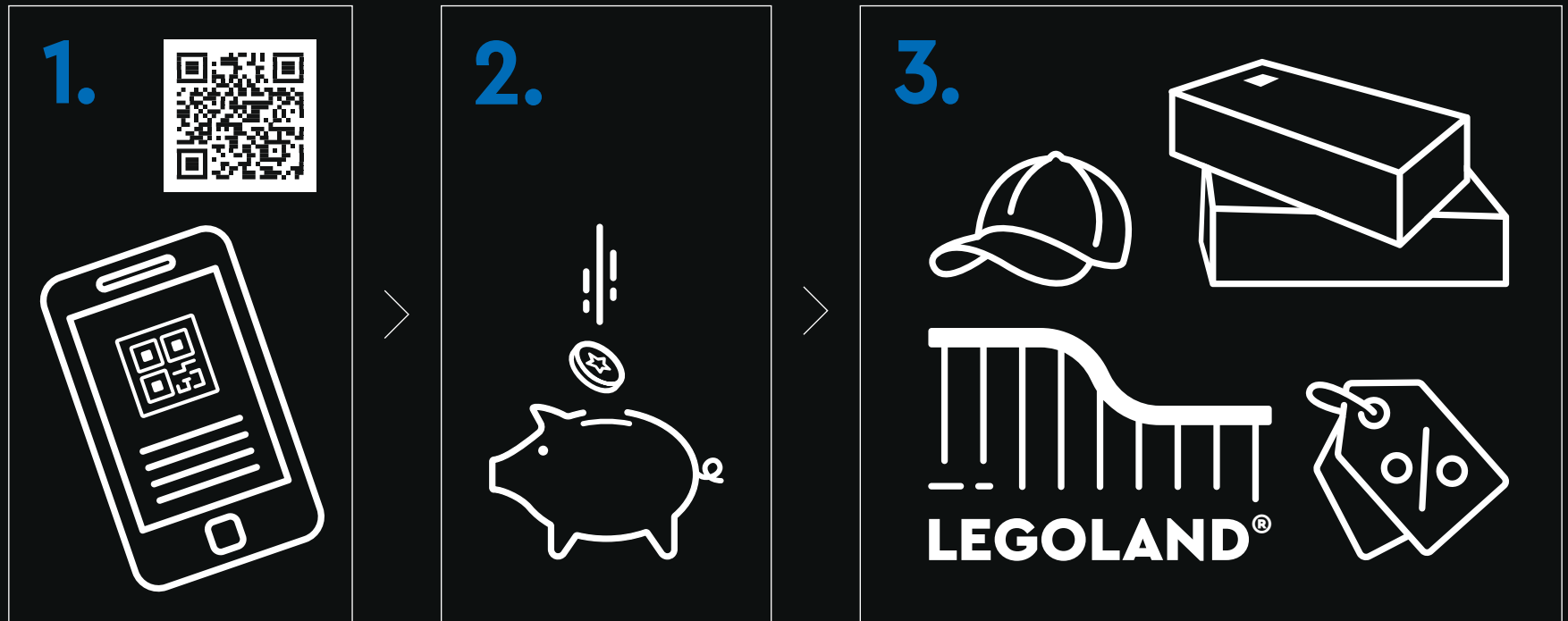






[LEGO.com/sustainable-packaging](https://LEGO.com/sustainable-packaging)

# LEGO® VIP



**1.** Sign up **2.** Earn points for purchases **3.** Redeem points for rewards, experiences, discounts & more | **1.** Melde dich an **2.** Sammle Punkte bei jedem Kauf **3.** Löse die Punkte für Belohnungen, Erlebnisse, Rabatte und Ähnliches ein | **1.** Inscrivez-vous **2.** Gagnez des points lors de vos achats **3.** Échangez vos points contre des récompenses, des expériences, des remises et bien plus encore | **1.** Iscriviti **2.** Guadagna punti con i tuoi acquisti **3.** Riscatta punti per premi, esperienze, sconti e altro ancora | **1.** Regístrate **2.** Gana puntos por tus compras **3.** Canjea puntos por recompensas, experiencias, descuentos y mucho más | **1.** Registe-se **2.** Ganhe pontos em compras **3.** Troque os pontos para prémios, experiências, descontos e muito mais | **1.** 注册 **2.** 购物赚积分 **3.** 用积分兑换奖励、体验、折扣等 | **1.** Zarejestruj się **2.** Zdobywaj punkty za zakupy **3.** Wymieniaj punkty na rabaty, przygody i inne nagrody | **1.** Zaregistrujte se **2.** Sbírejte body za nákupy **3.** Vyměňujte body za odměny, zážitky, slevy a spoustu dalšího | **1.** Zaregistrujte se **2.** Získavajte body za nákupy **3.** Uplatnite si body a získajte odmeny, rôzne zážitky, zľavy a ešte viac | **1.** Regisztrálj **2.** Szerezz pontokat minden vásárlással **3.** Váltsd be pontjaidat jutalmakra, élményekre, kedvezményekre és egyebekre | **1.** Înscric-te **2.** Câștigă puncte pentru achiziții **3.** Valorifică puncte pentru recompense, experiențe, reduceri și multe altele | **1.** Регистрируйте се **2.** Получайте точки за покупки **3.** Используйте точки за награды, услуги, отстъпки и т.н. | **1.** Reģistrējies **2.** Pelni punktus par pirkumiem **3.** Izmanto punktus, lai saņemtu balvas, izklaides iespējas, atlaides un daudz ko citu | **1.** Registreeru **2.** Teeni ostude eest punkte **3.** Lunasta punktide eest preemiad, elamused, allahindlused ja muu | **1.** Užsiregistruokite **2.** Pelnykite taškų už pirkinius **3.** Panaudokite taškus atlygiui, funkcijoms, nuolaidoms ir ne tik






# 创造美国 汽车历史

轻松且欢乐有趣的周末和暑假。将汽车顶盖收拢起来，行驶在高<sup>®</sup>速公路或乡村公路上，温暖的微风轻轻拂过。雪佛兰 C1 Corvette 系列最初受到欧洲跑车的启发，并与美国赛车的巅峰技术和设计完美结合。该系列于 1953 年首次亮相，在其盛行的九年间，成为令人向往的全美偶像——美好生活的象征。值 Corvette 庆祝其奢华、大胆和创新的设计和性能 70 周年之际，1961 年的罗马红双门敞篷车依然从同类产品中脱颖而出。别致的曲线、大胆的色彩和流畅的内饰造型与 315 马力的燃油喷射式通用汽车 V8 发动机相得益彰。锦上添花：“鸭尾”式尾部和圆形内置尾灯将成为 Corvette 的标志性设计。

**AMERICA'S  
SPORTS CAR  
GETS A  
NEW LOOK!**



Take a classic sports car design. Give it tasteful new styling. That's Corvette in 1961. Starting with the sleek rear deck, it's clean, uncluttered. From this point forward, it becomes obvious this new Corvette was designed to be driven. No matter what the occasion—black tie or tennis shoes—Corvette is appropriate. If you're an enthusiastic rallyist, an about-townner, a countryside explorer, or all three, Corvette matches your mood.

© 1960 Chevrolet Motor Division, General Motors Corporation




**You only  
think you're  
not an  
enthusiast!**

For every Corvette owner who regularly runs to sports car rallies, there's one who sees his Corvette exclusively for brand-and-horror inspiration. ■ The Corvette brings a kind of pleasure to each man's driving that he couldn't get anywhere else. It can take the supercar out of every man's traffic, and the way it turns an ordinary country road into something very special. What because few cars from this or any other country can come remotely close to the handling performance, good handling and handling responsiveness. ■ Don't take our word for this, drive one. Even you're accustomed to driving sports cars in the top 1000 horsepower dollar category, you'll be absolutely awestruck. The Corvette is an extraordinary combination of performance and luxury that really holds its own in its class. With optional options like Powerglide and electric windows or with Fuel Injection and Four-Speed Synchro-Mesh transmission, it's really something. For you. The feeling is mutual. We make you think with.

**CORVETTE BY CHEVROLET**

See the new Corvette, Chevrolet cars and Chevy's Corvair at your local authorized Chevrolet dealer's.



**What, no sports car cap?** You don't want a little cap with a belt in the back, or a knowledge of more creative automotive design for your Corvette, do you? There's a pleasure in seeing a car that's designed for other car brands. This is the ultimate development of it: this car that has become first class in its own right for the combination of extreme performance, and yet it can be adjusted to your personal style. There's a joy that's known as respect. Push-button door handles, smooth drive belts and a collection of other features of the Corvette convertible you don't get on most other sports cars. You also have a wide choice of power windows—coming from the standard 230-horsepower engine (which can be swapped with Powerglide) to change the transmission to the exhilarating Four-Speed™ V8 with four-speed automatic transmission.

Take it over with your choice. Whatever version you like, see how it fits the positive definition of your driving partner!

**Corvette by Chevrolet**

See the new Corvette, Chevrolet cars and Chevy's Corvair at your local authorized Chevrolet dealer's.



C1

(1953-1962 年)



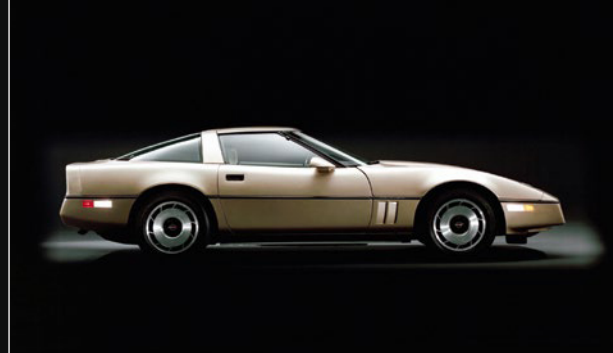
C2

(1963-1967 年)



C3

(1968-1982 年)



C4

(1984-1996 年)



1961 年的经典 C1



C5

1997-2004 年



C6

2005-2013 年



C7

2014-2019 年



C8

2020 年至今

## 与时俱进

随着一代又一代的新车问世，雪佛兰 Corvette 70 多年来一直在重新定义美国汽车的设计。再加上多个独家概念车型、特别版和定制赛车，传奇还在继续。作为一款适合上路的经典跑车，它始终保持自身强大原始品质的完整性。从 20 世纪 50 年代初的原型车到 C8 一代的现代卓越工程和创新，Corvette 家族的专辑唤起了我们对过往的记忆，激发了我们的想象力，并激起对其未来的期待。

## 设计团队 感言

“捕捉令 Corvette 车迷们神迷的标志性线条是我们这款模型的重点，这就是为什么你会发现原始设计细节被忠实地展现在每个角落。如果你是乐高® Icons 系列经典老爷车的资深拼搭者，你可能会注意到这款 1961 年 C1 Corvette 车型拥有独特的车架。为了复刻原车的时尚感，我们在车架下方添加了转向拉杆，以重现其时尚轮廓。只需遵循前面的路线图，即可在拼搭过程中探索此模型的技术和组件。”

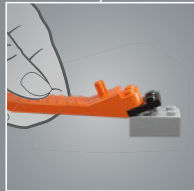
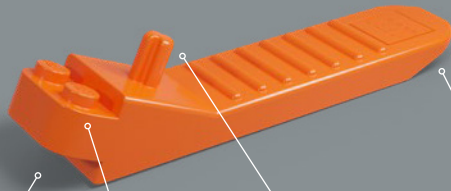
尽情享受驰骋的乐趣吧!

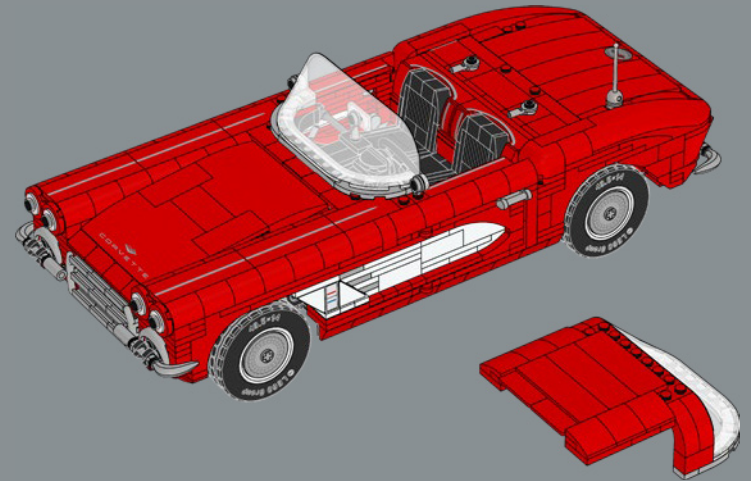
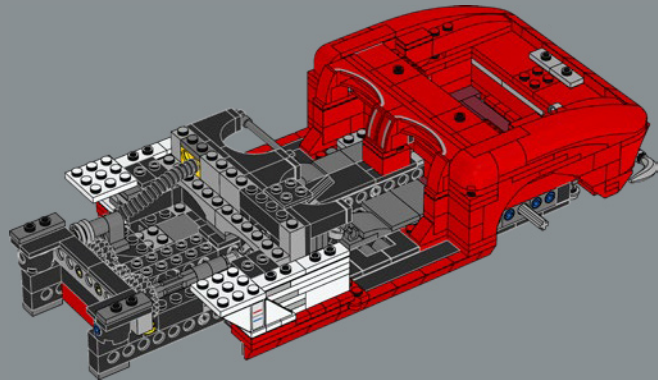
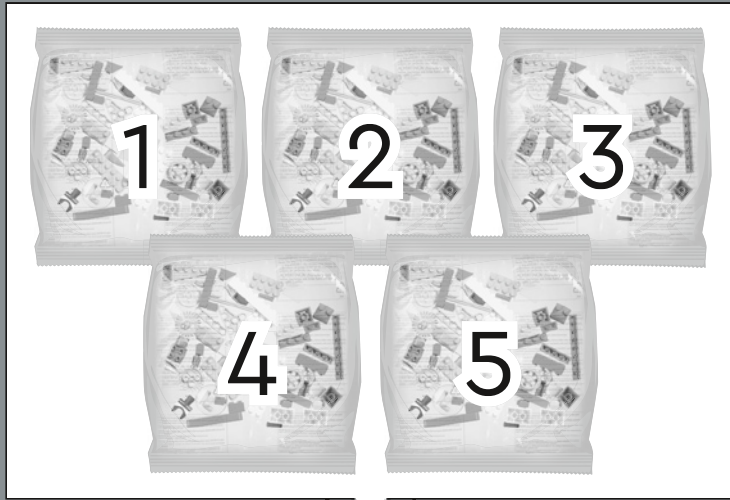
ROK ŽGALIN KOBE  
乐高® Icons 模型设计师

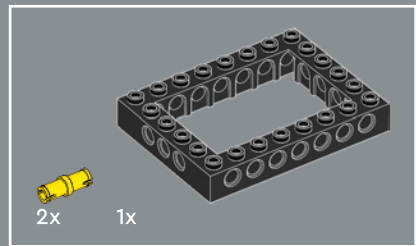




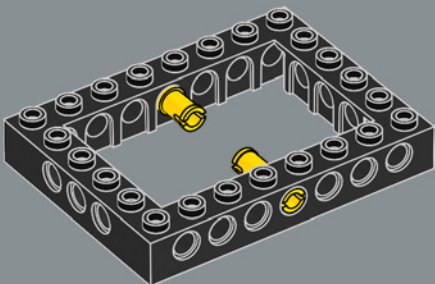




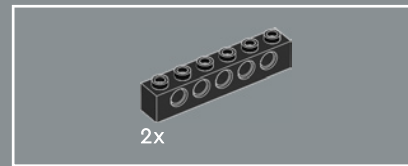
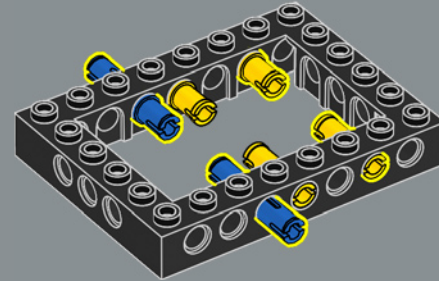




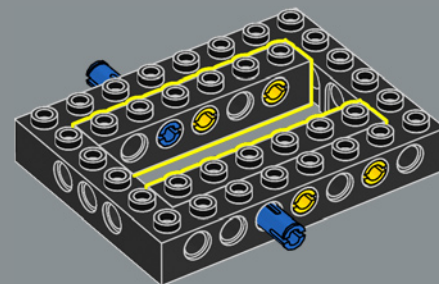
1

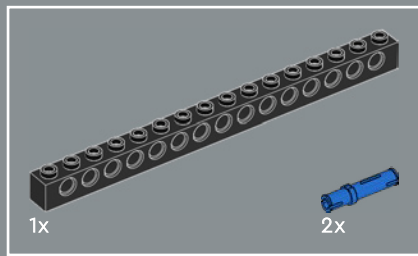


2

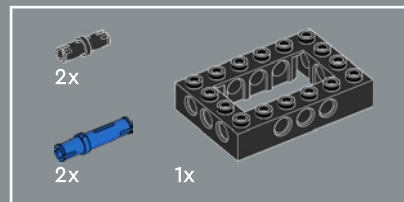
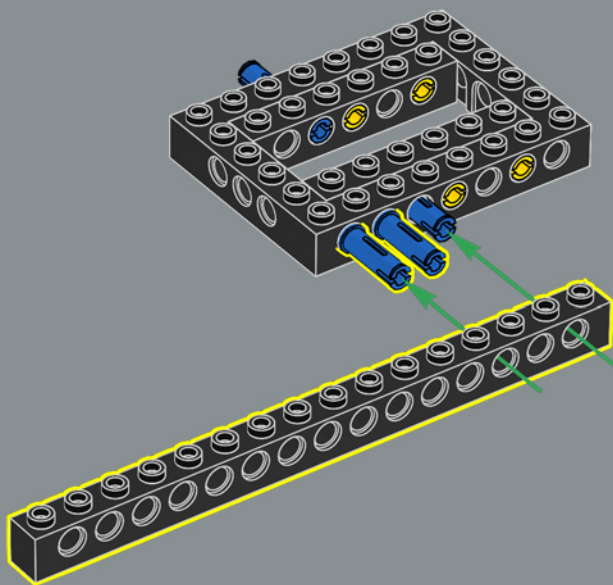


3

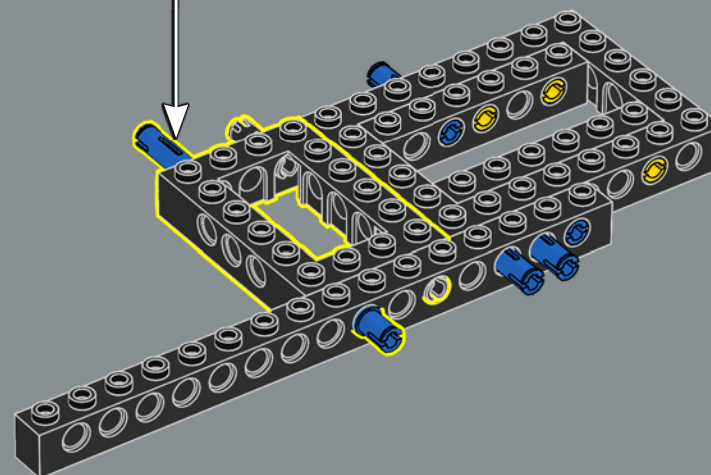
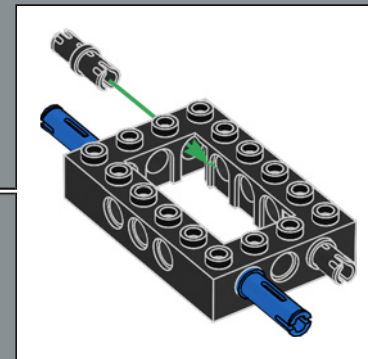


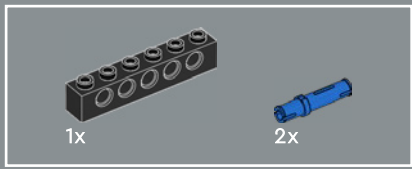


4

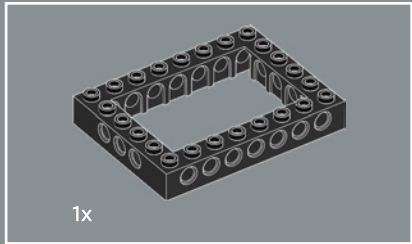
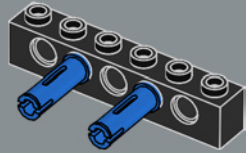


5

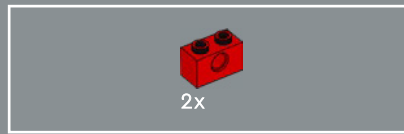
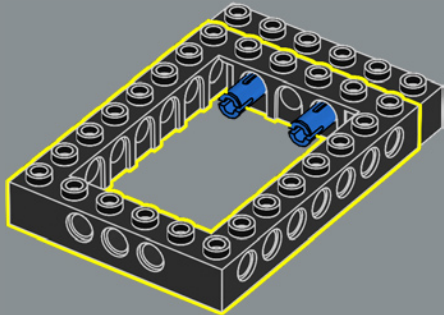




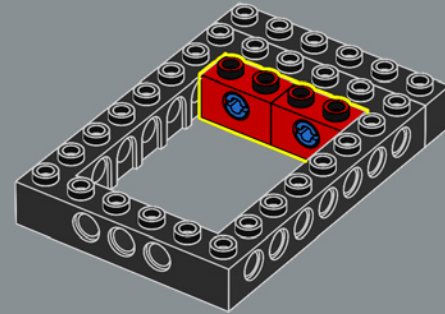
6

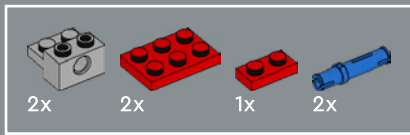


7

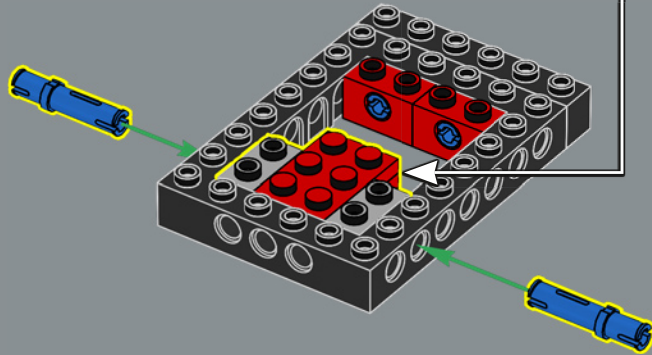
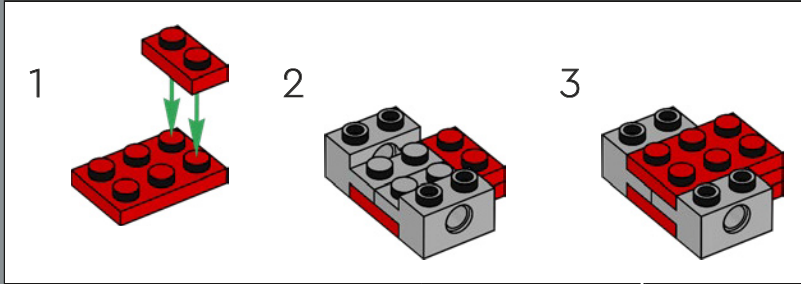


8

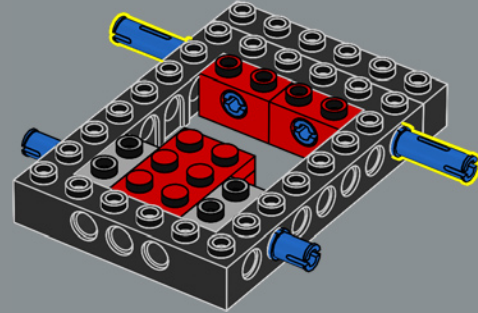




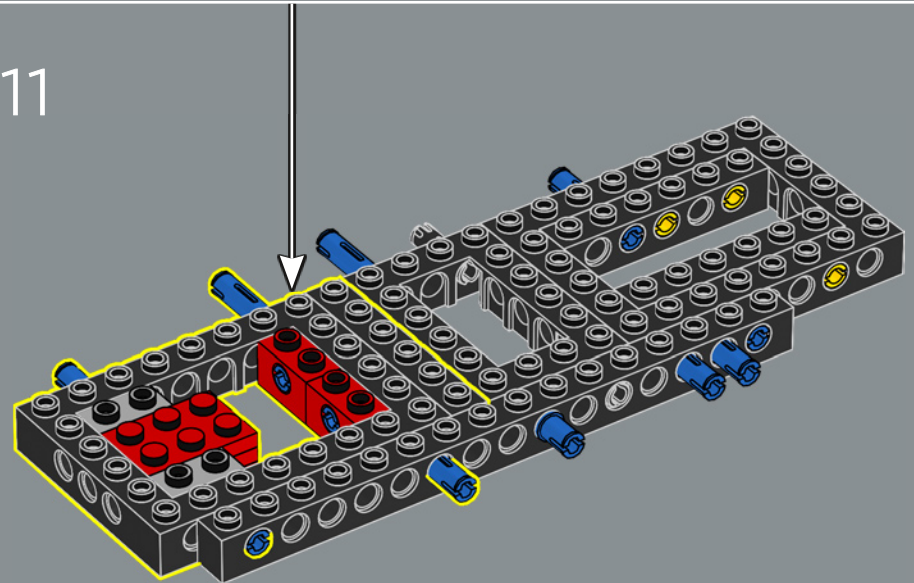
9

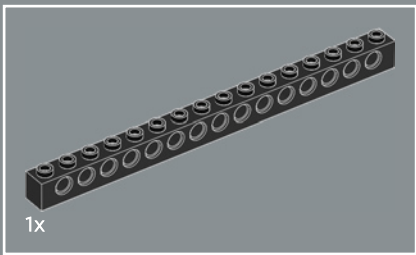


10

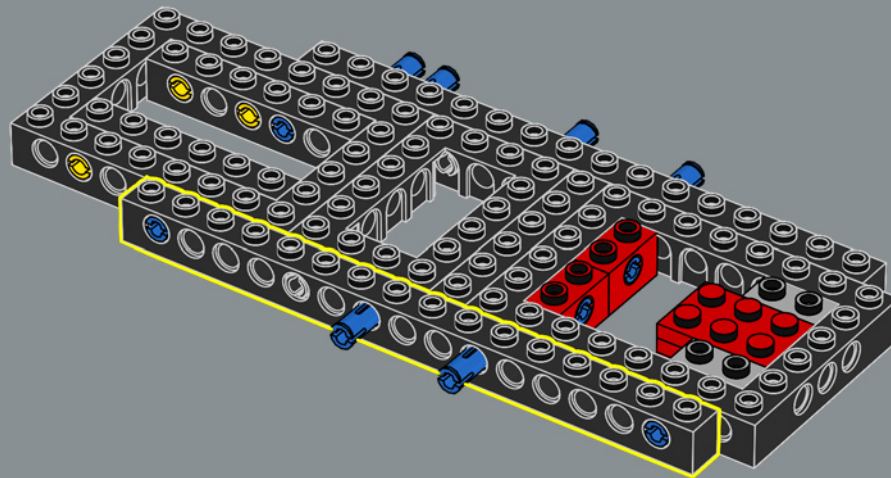


11

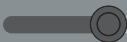
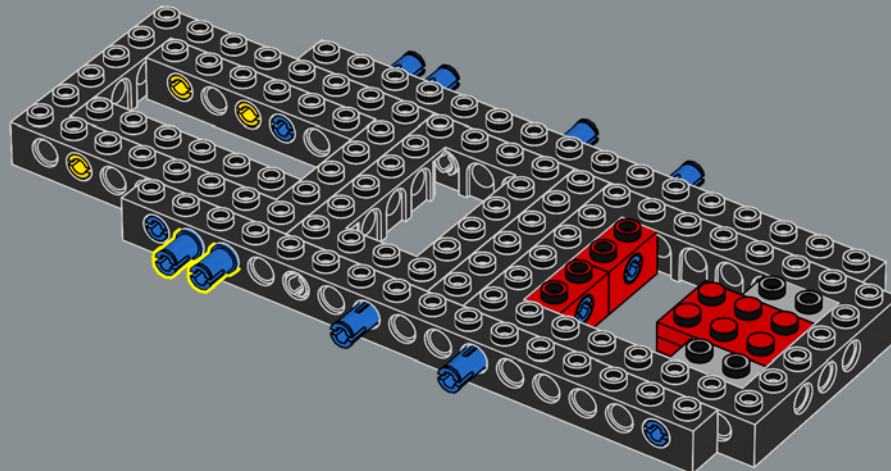




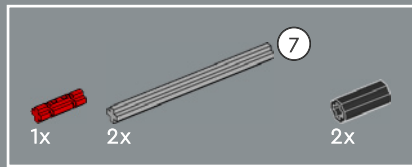
12



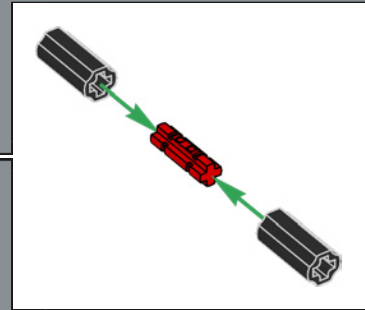
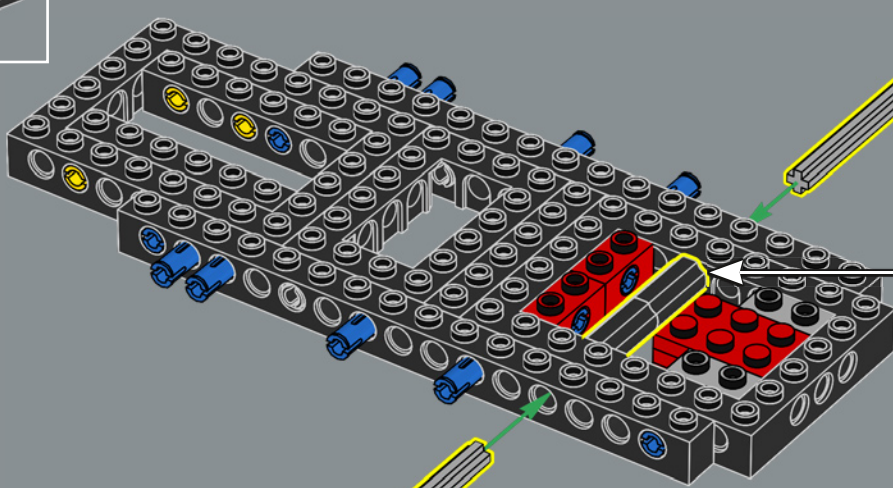
13



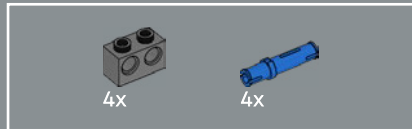




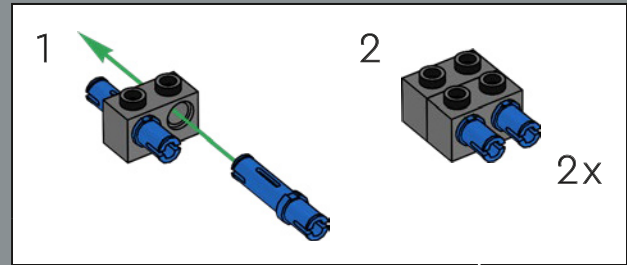
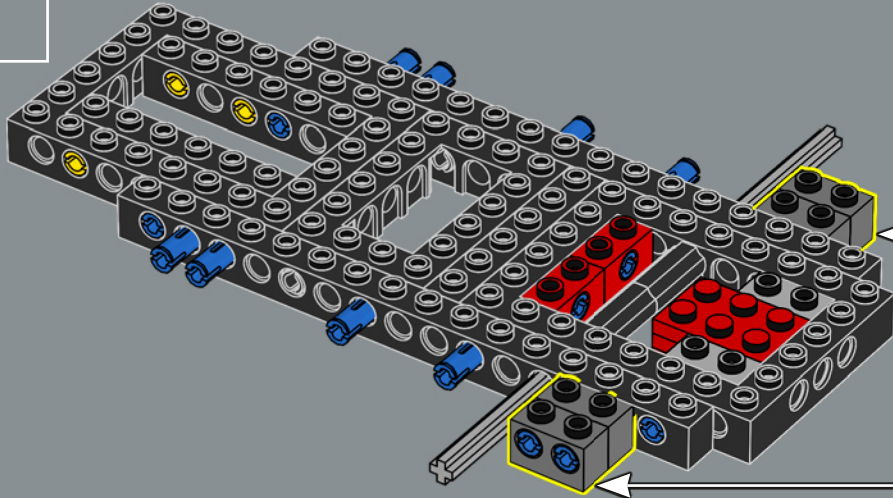
14

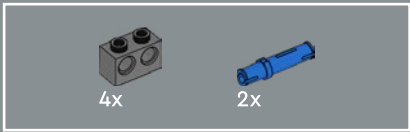


7

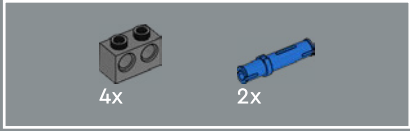
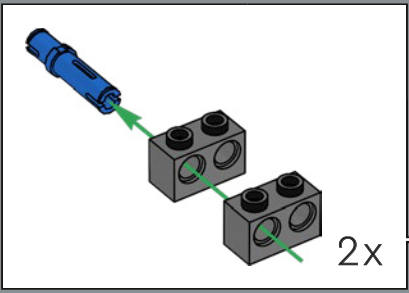
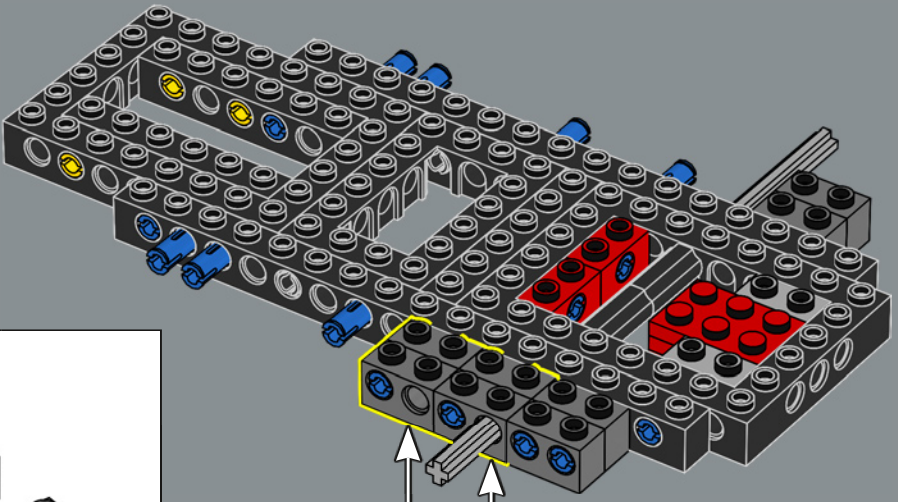


15

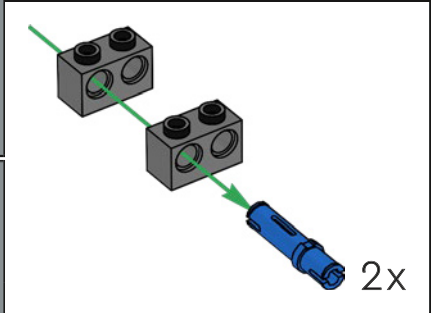
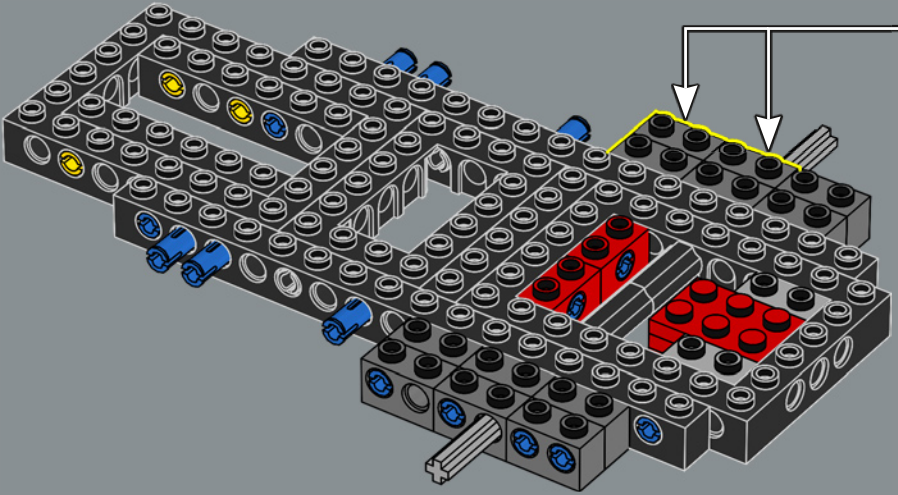


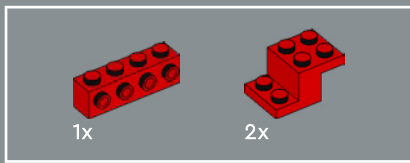


16

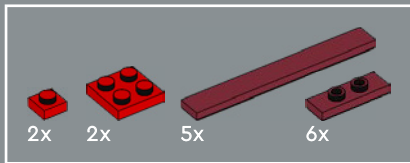
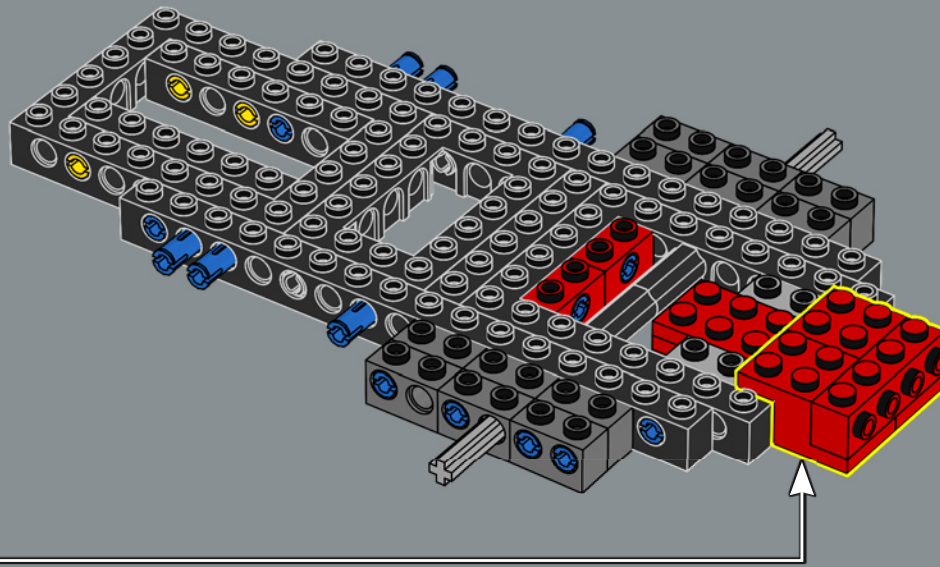
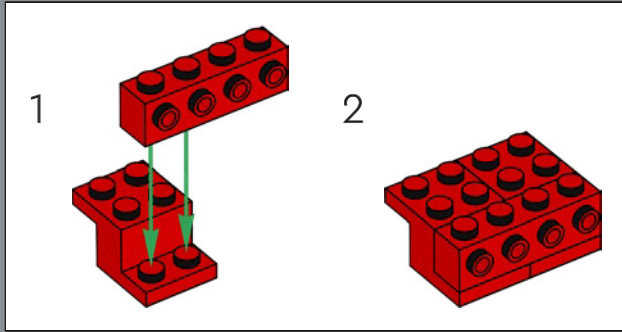


17

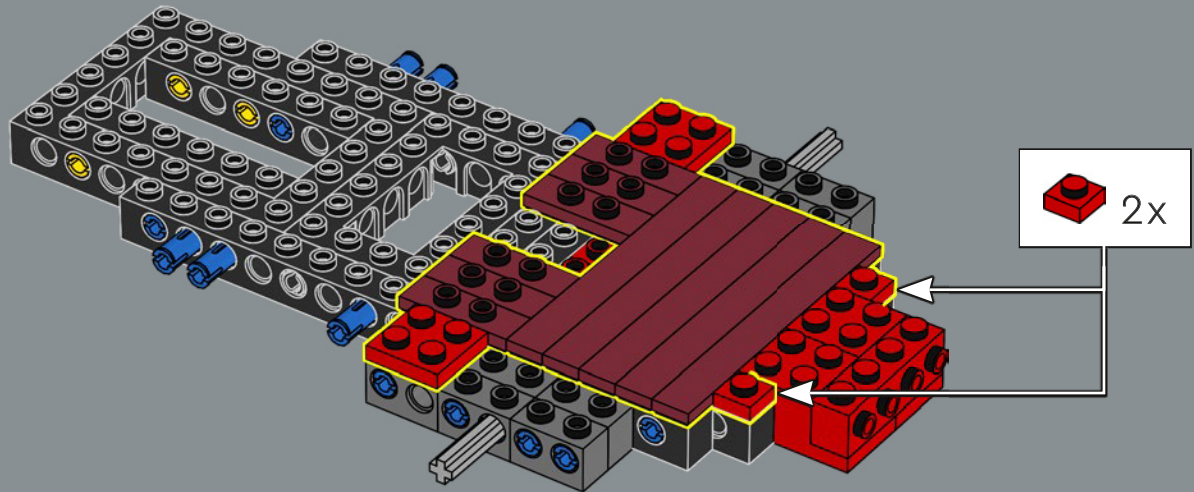


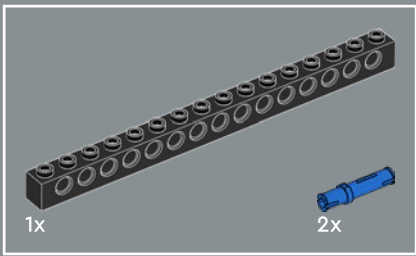


18

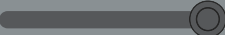
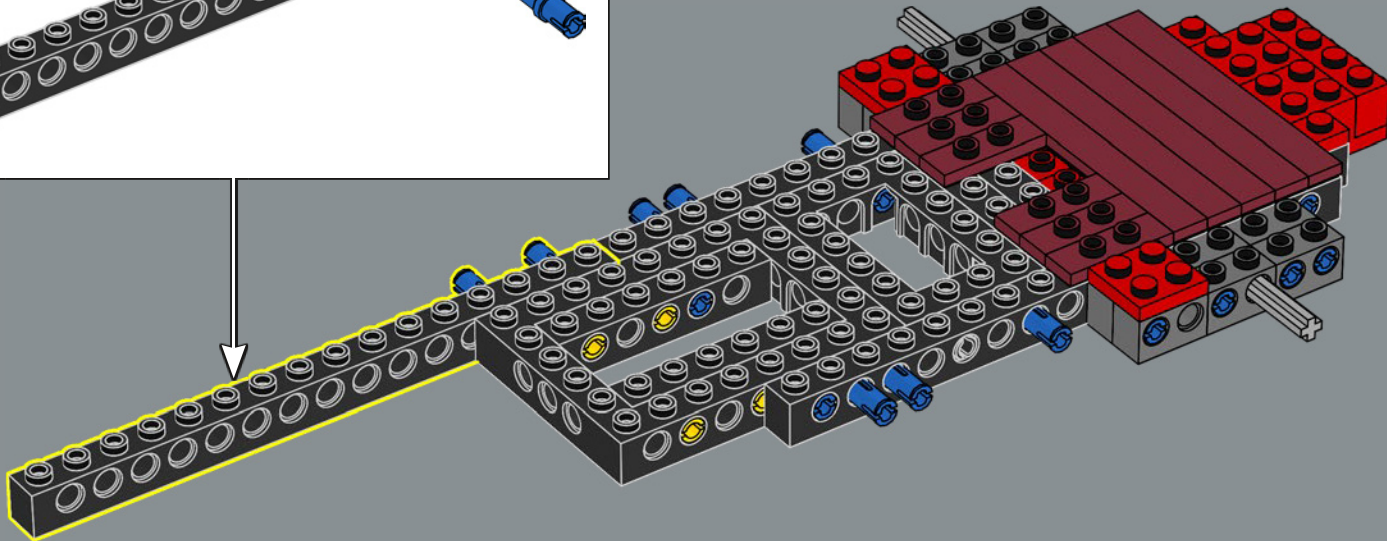
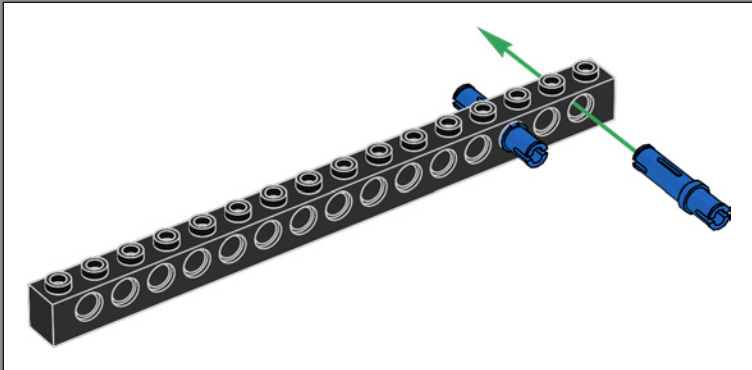


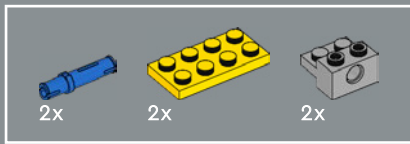
19



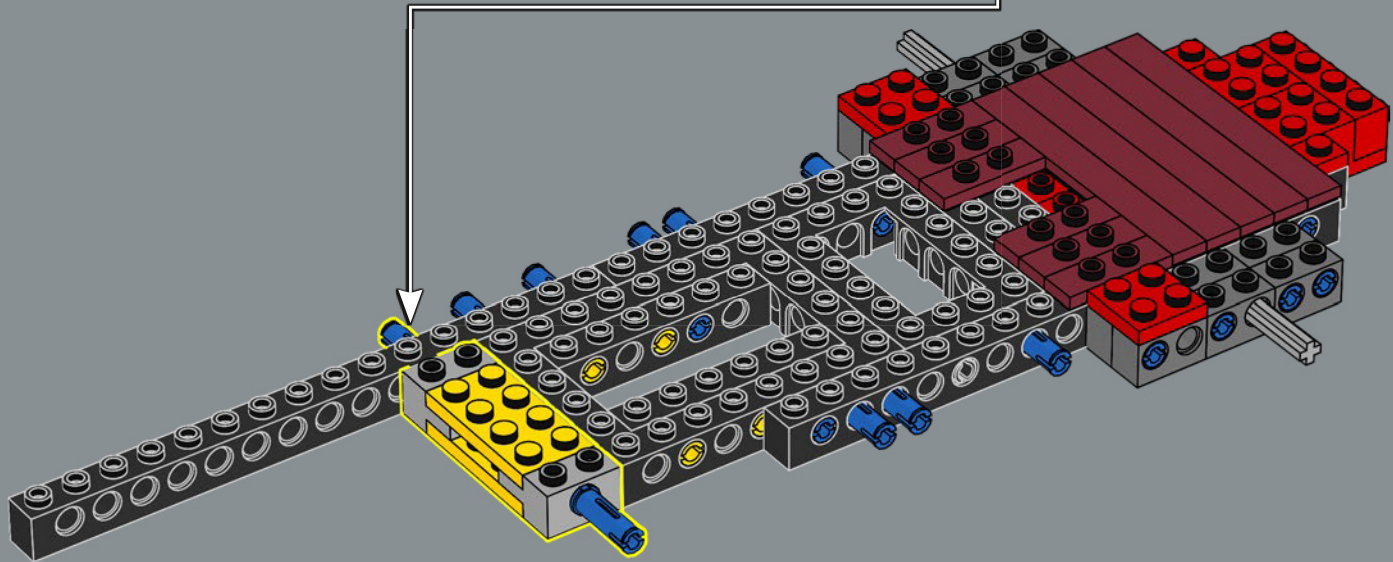
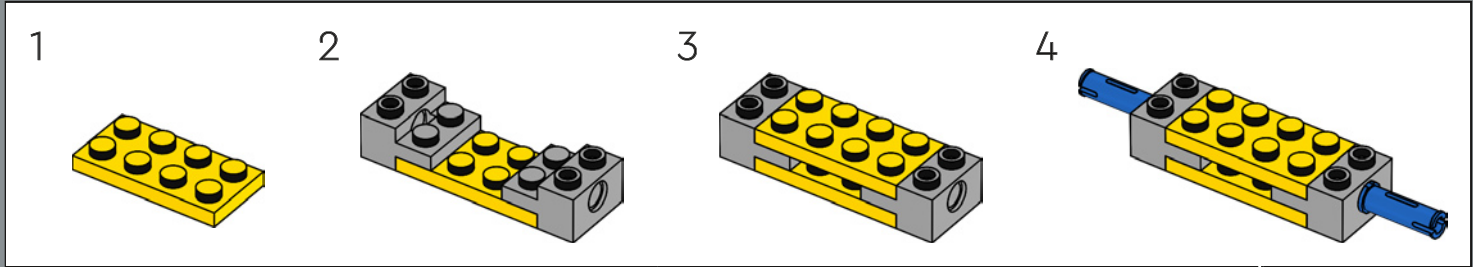


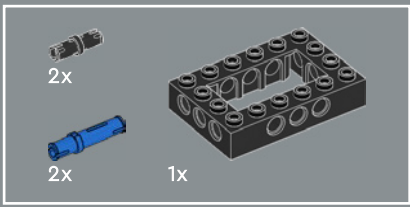
20



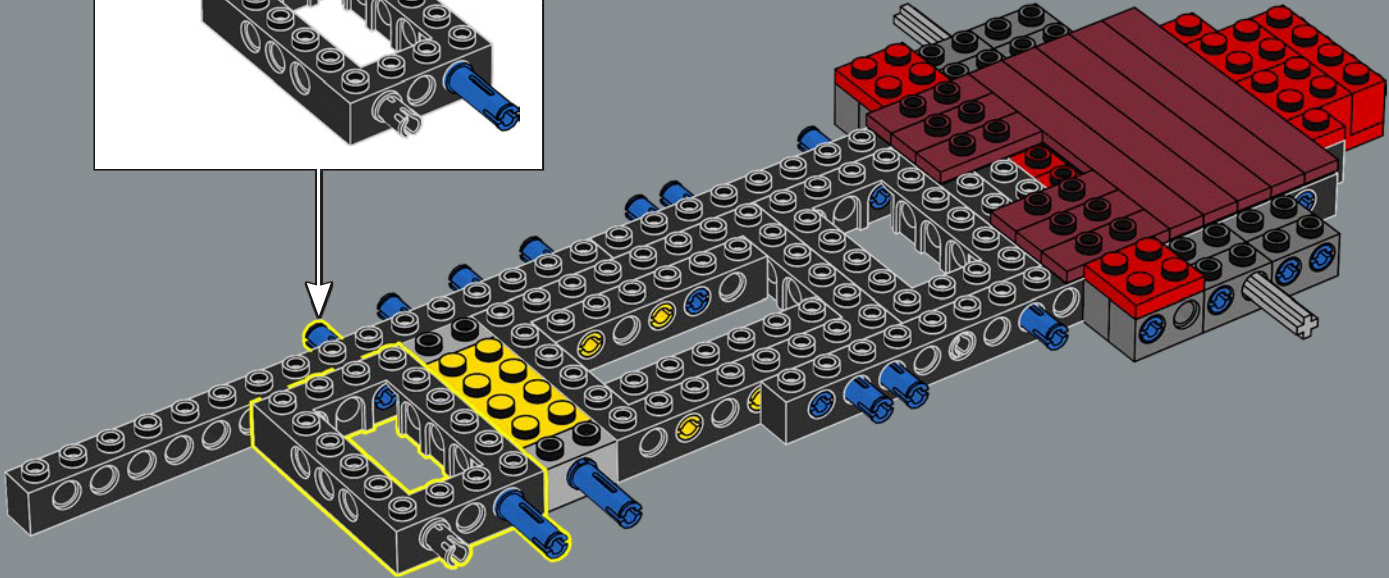
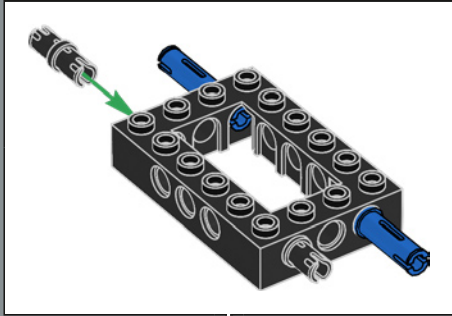


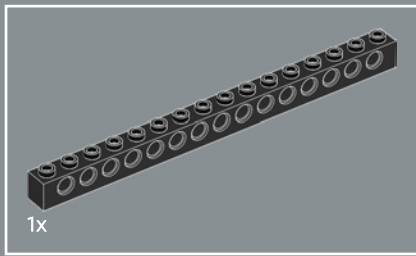
21



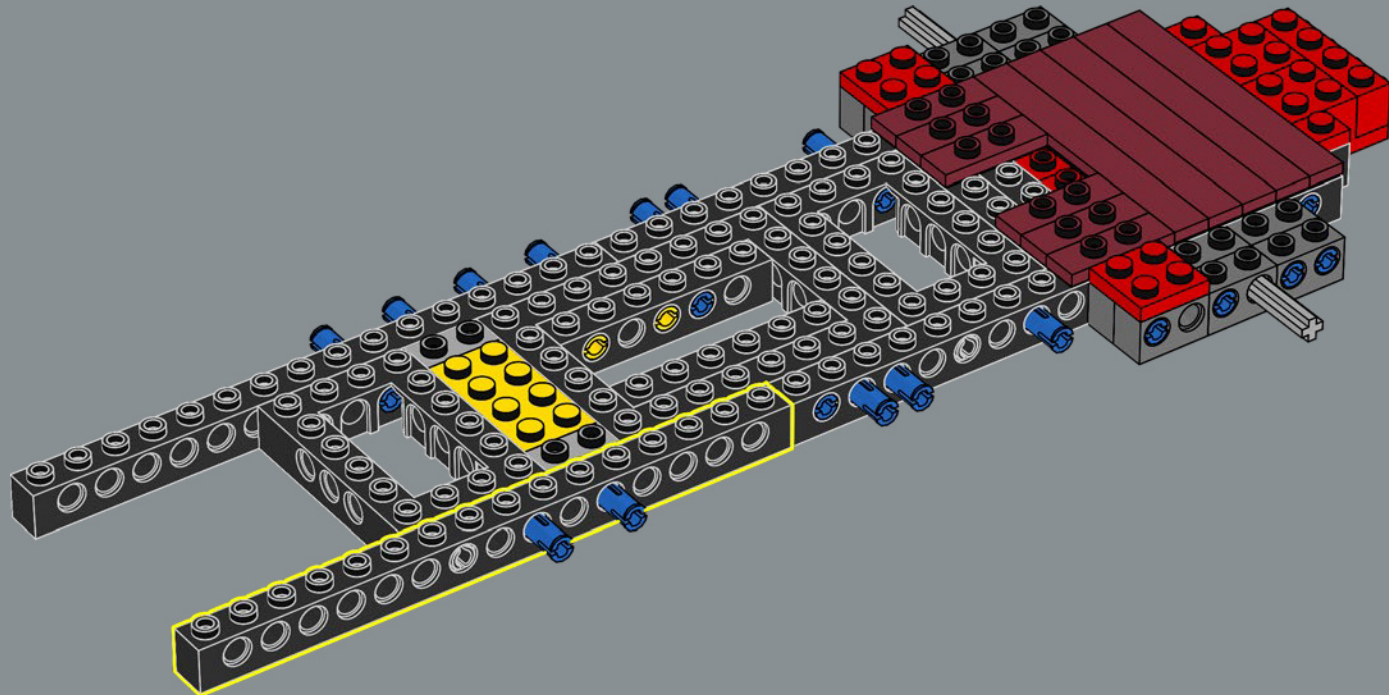


22



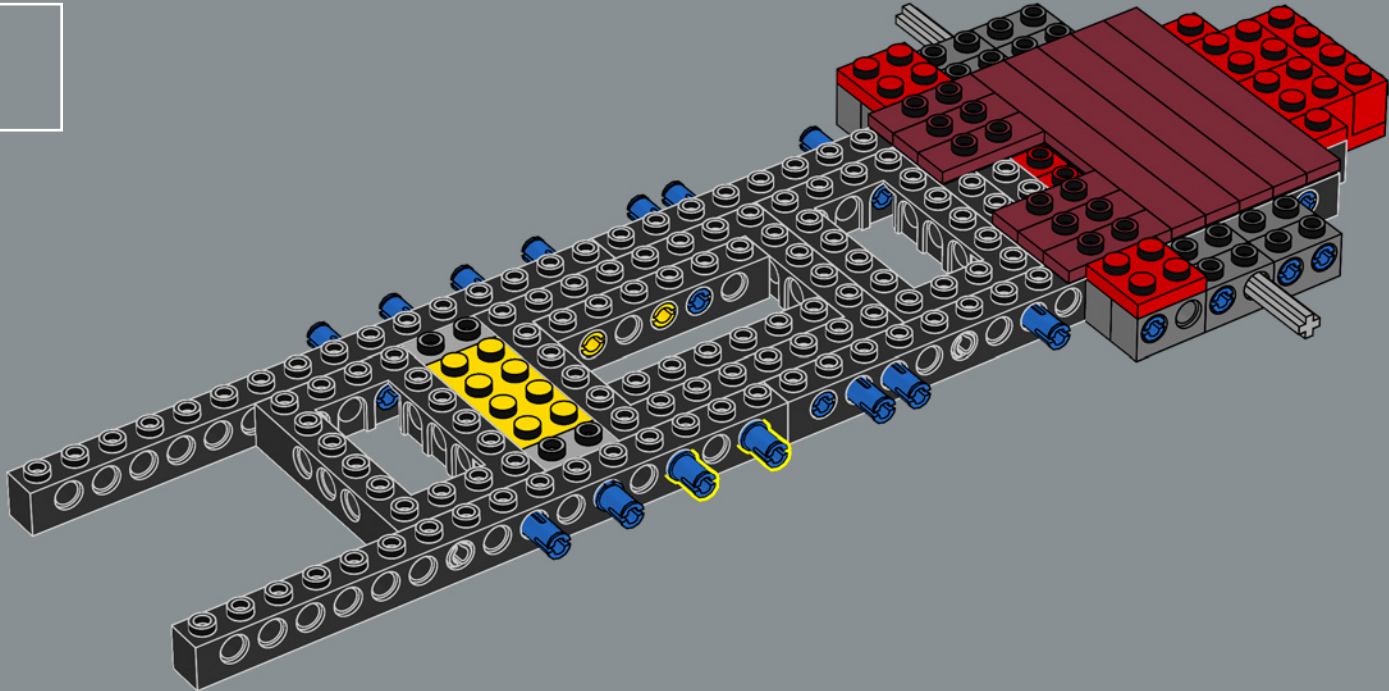


23

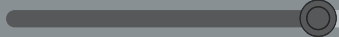
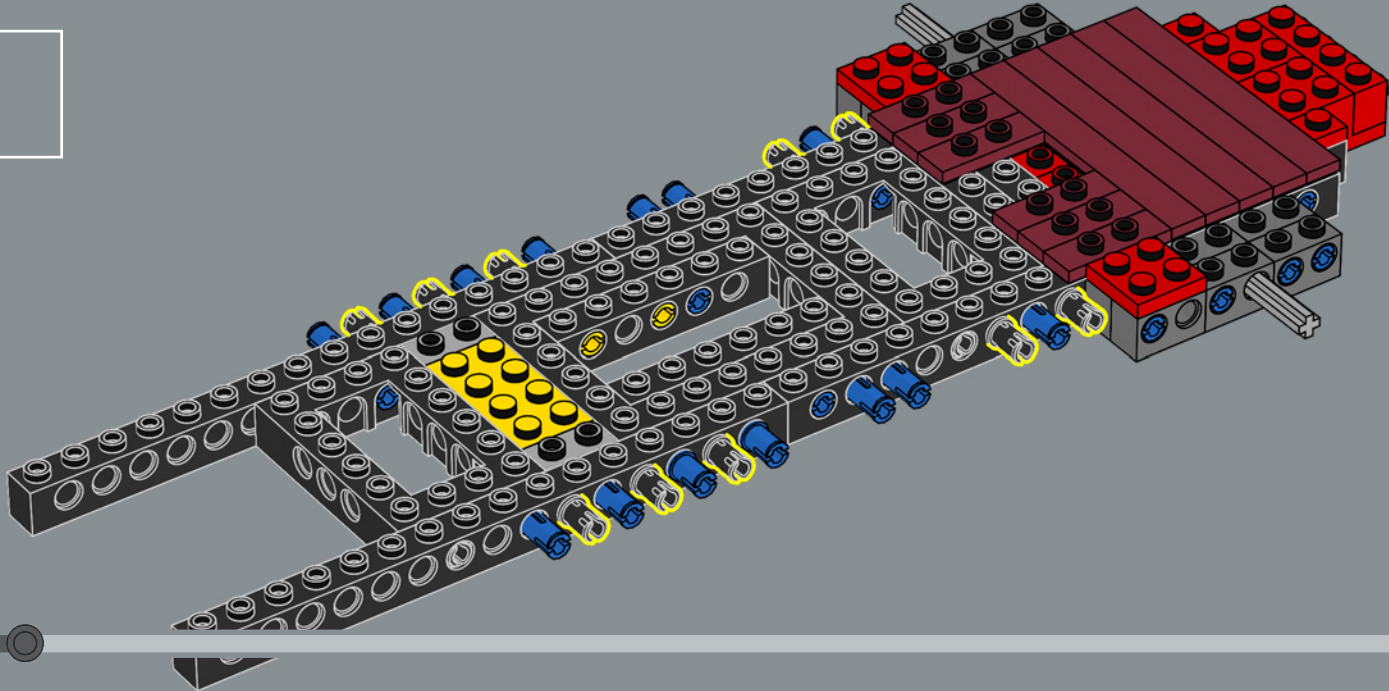




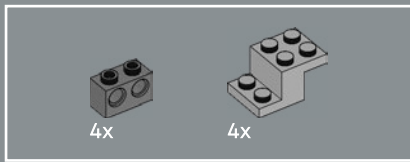
24



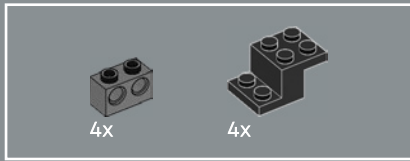
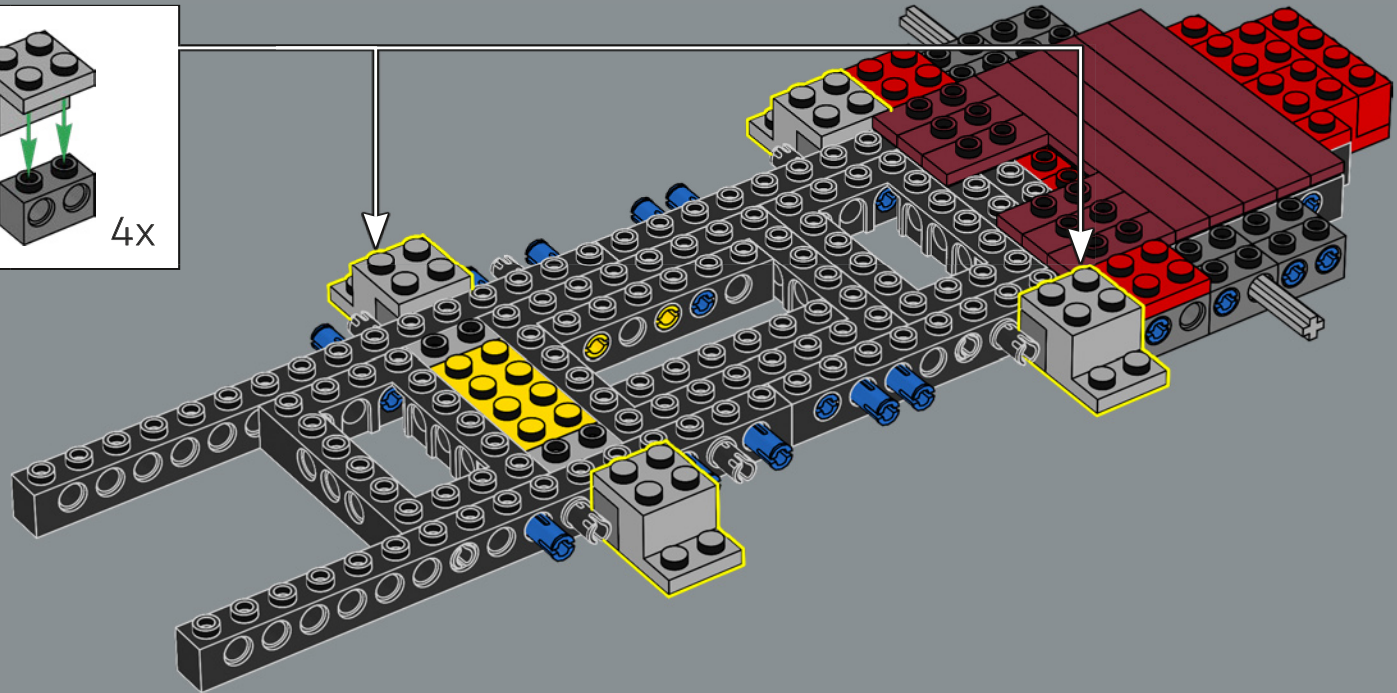
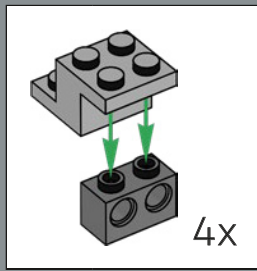
25



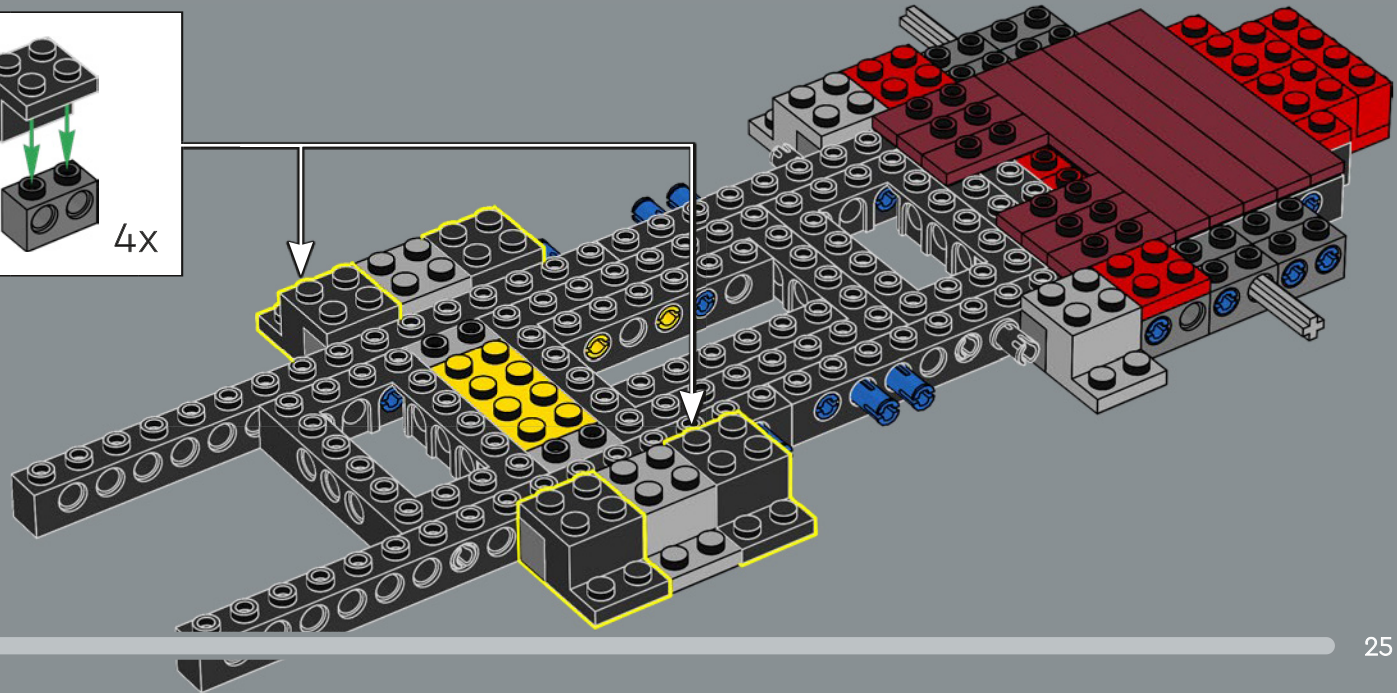
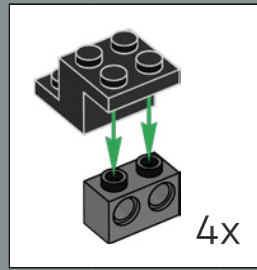




26



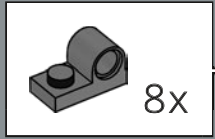
27



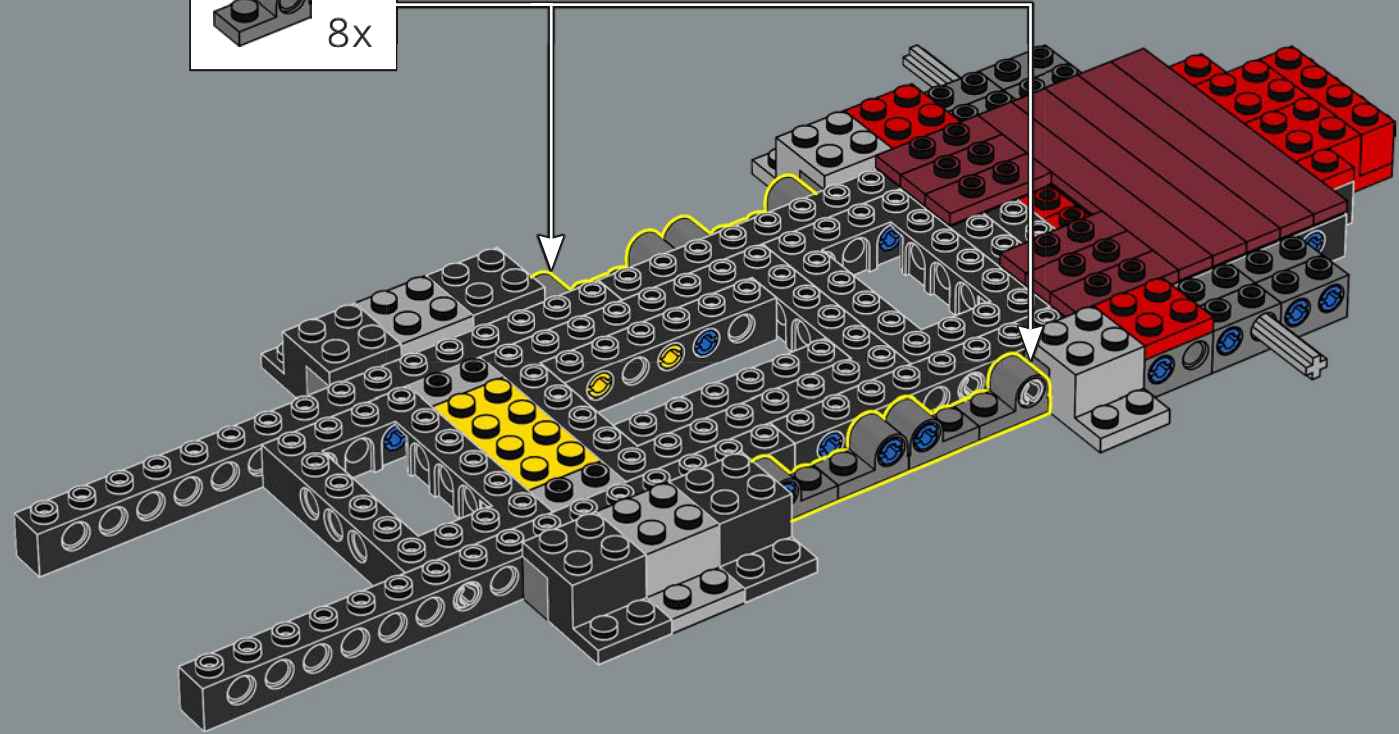


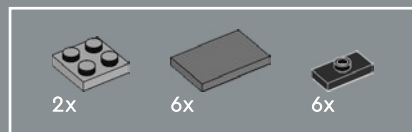
8x

28

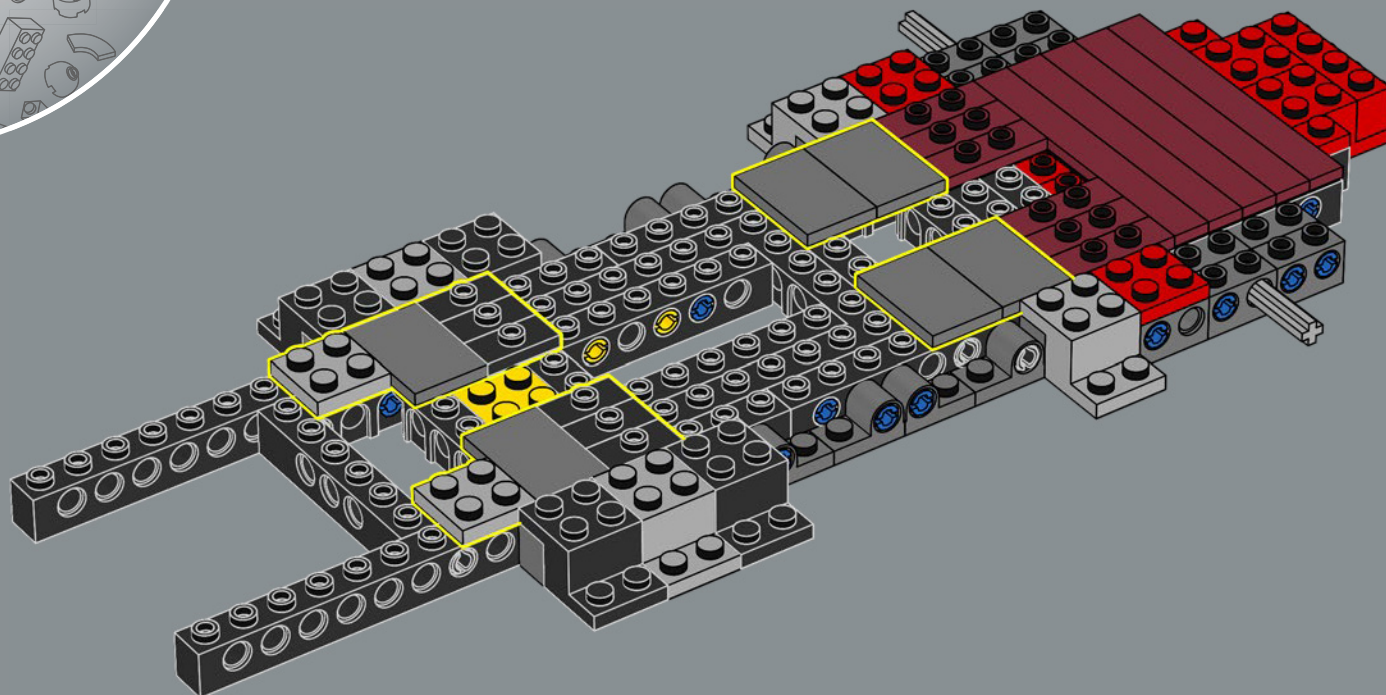


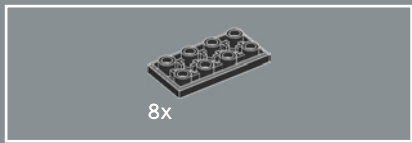
8x



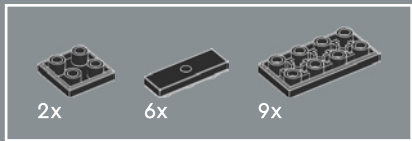
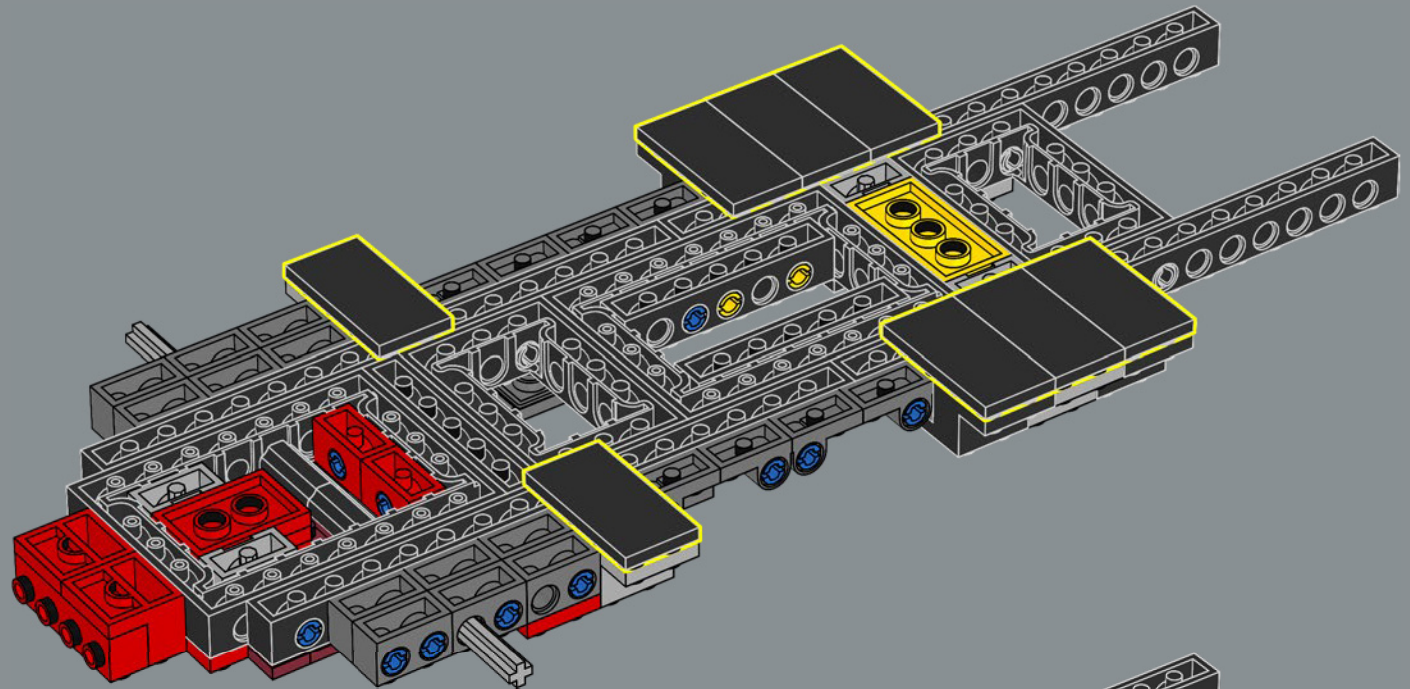


29

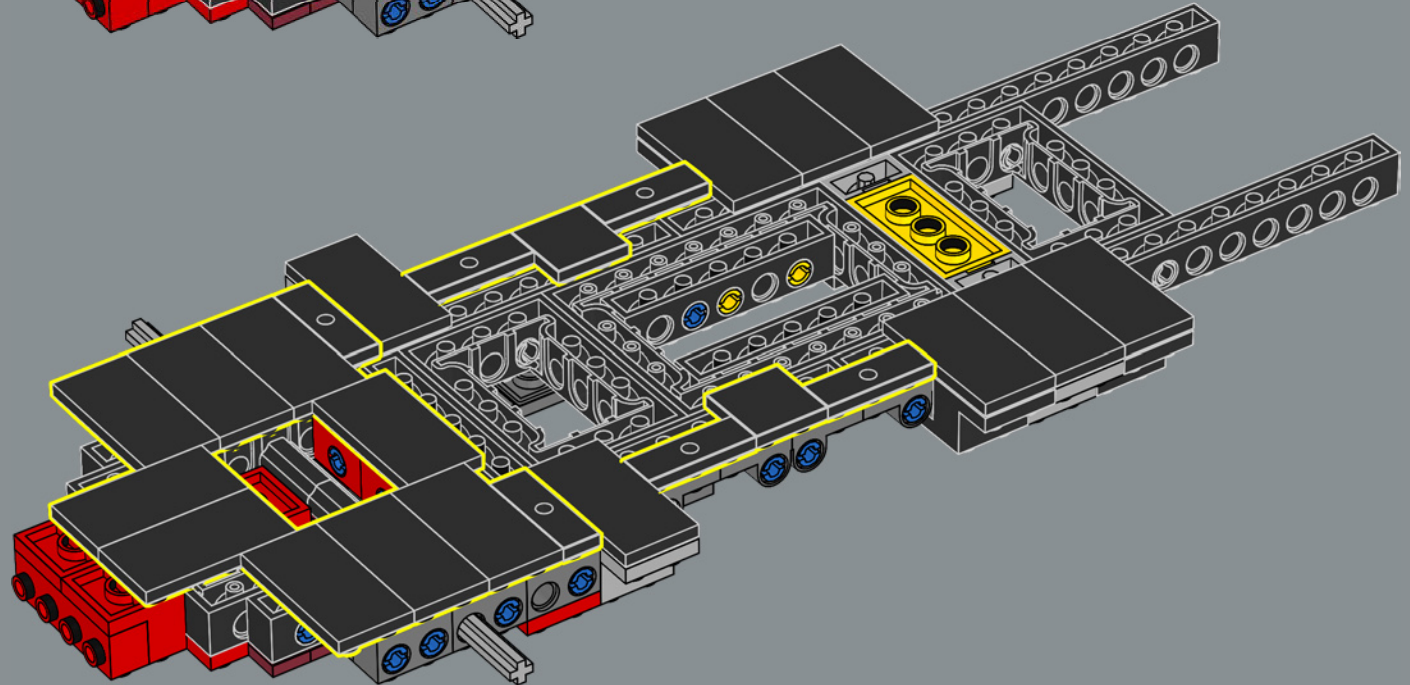


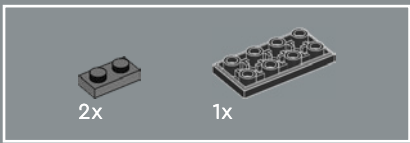


30

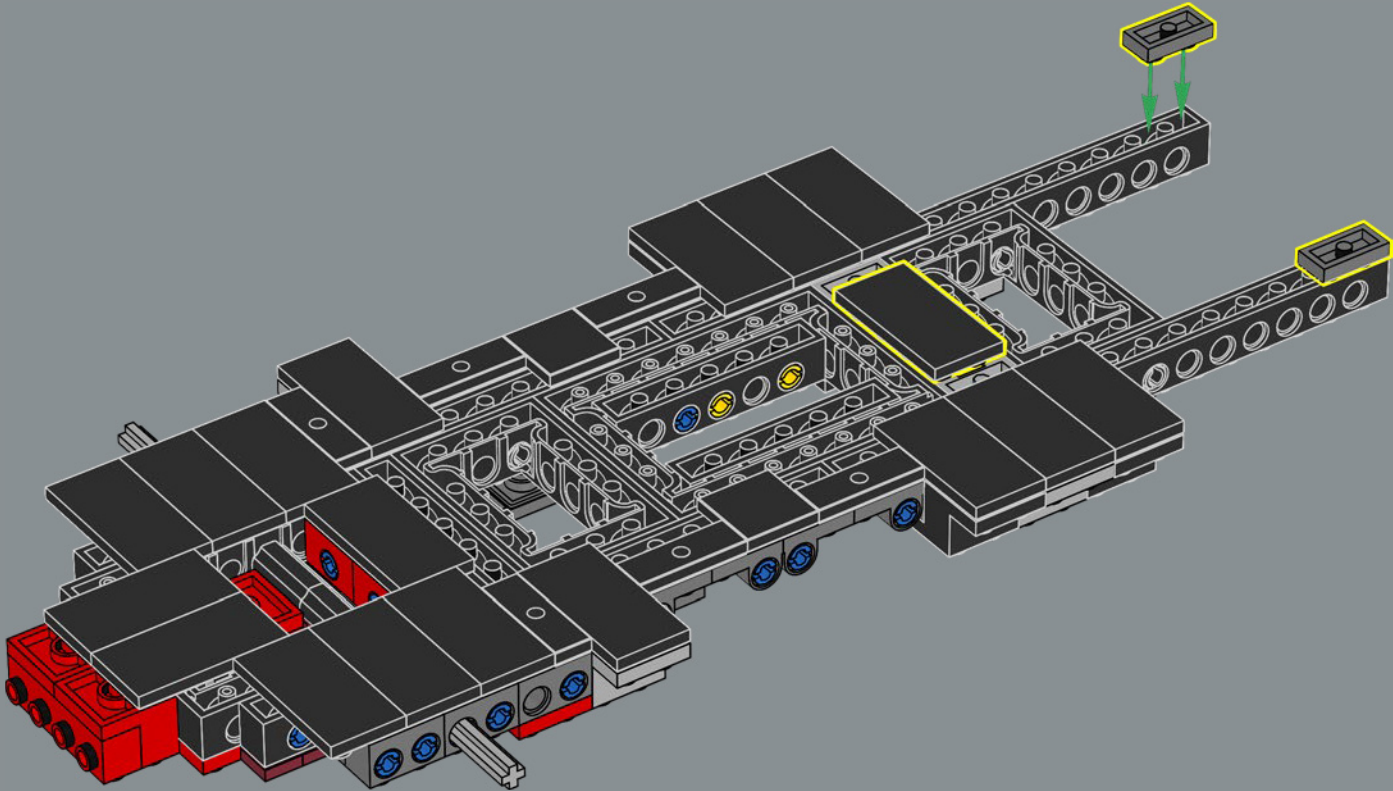


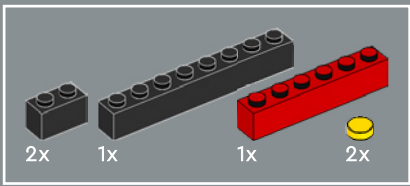
31



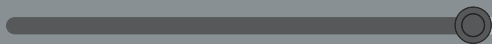
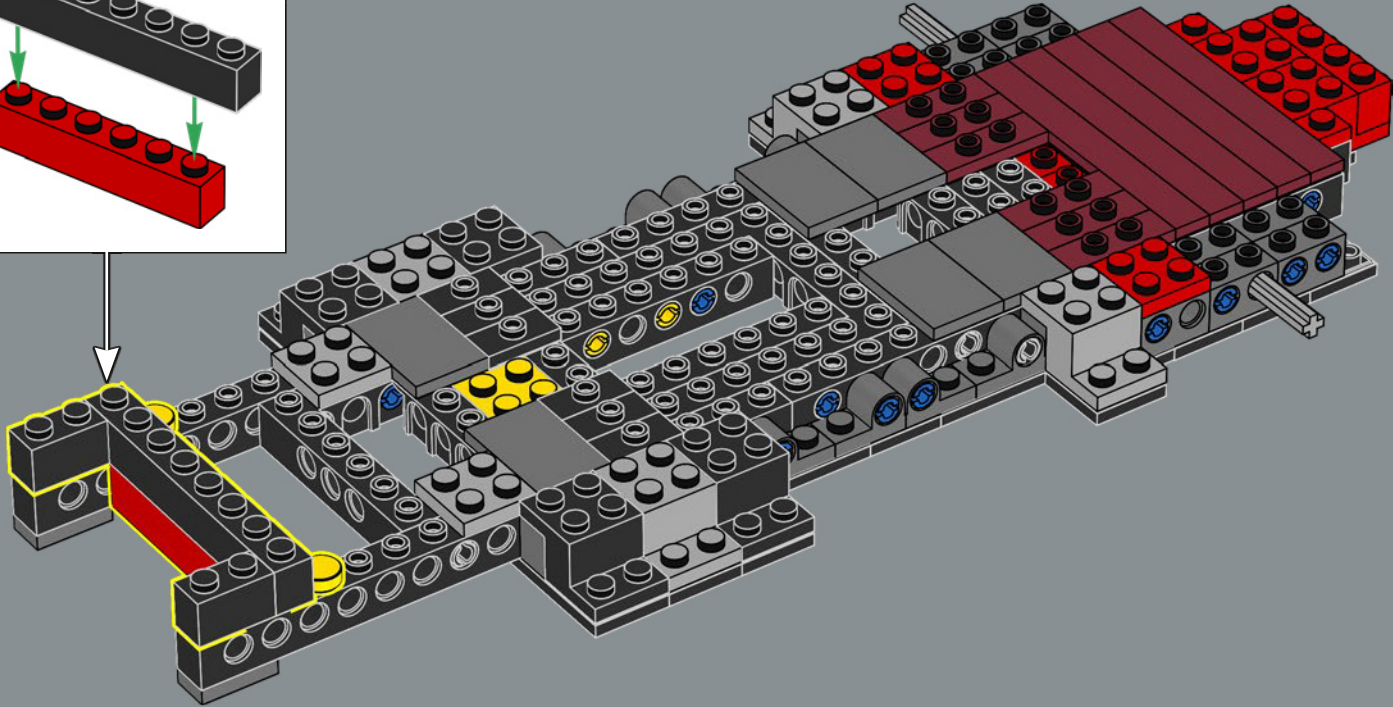
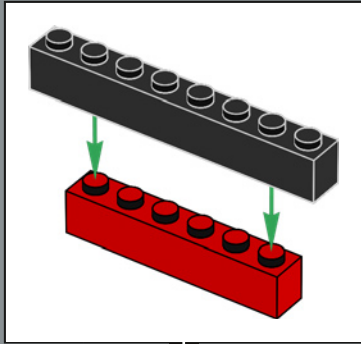


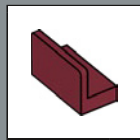
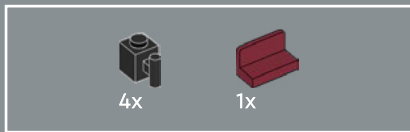
32



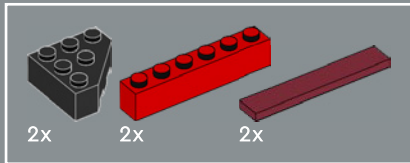
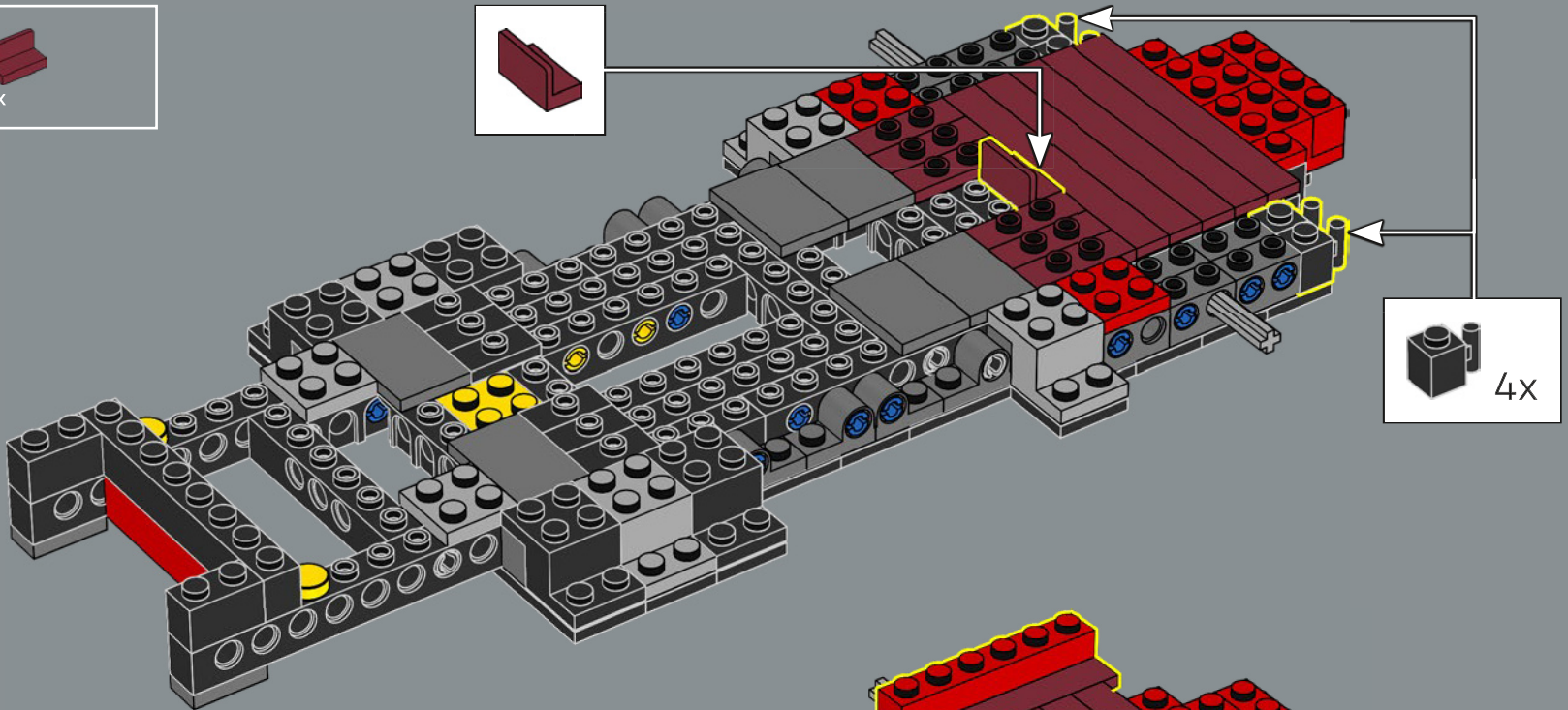


33

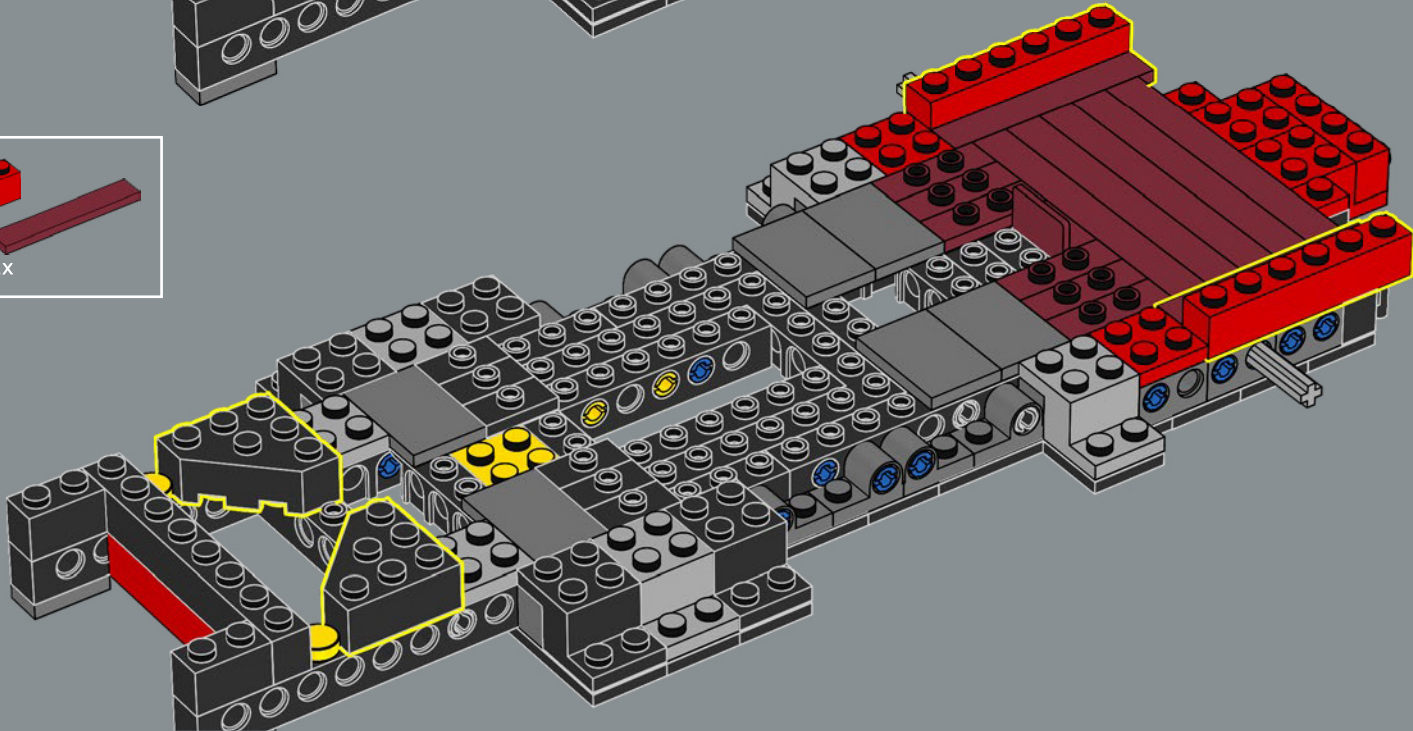


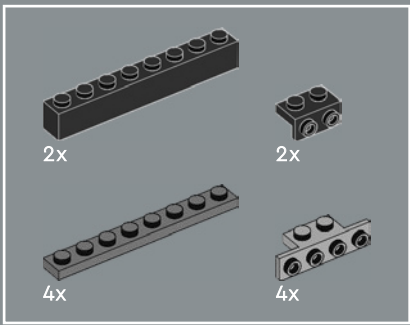


34

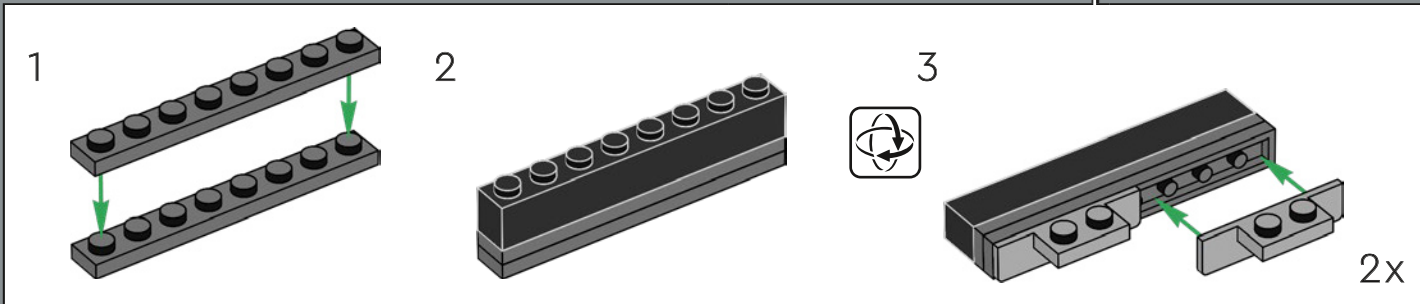
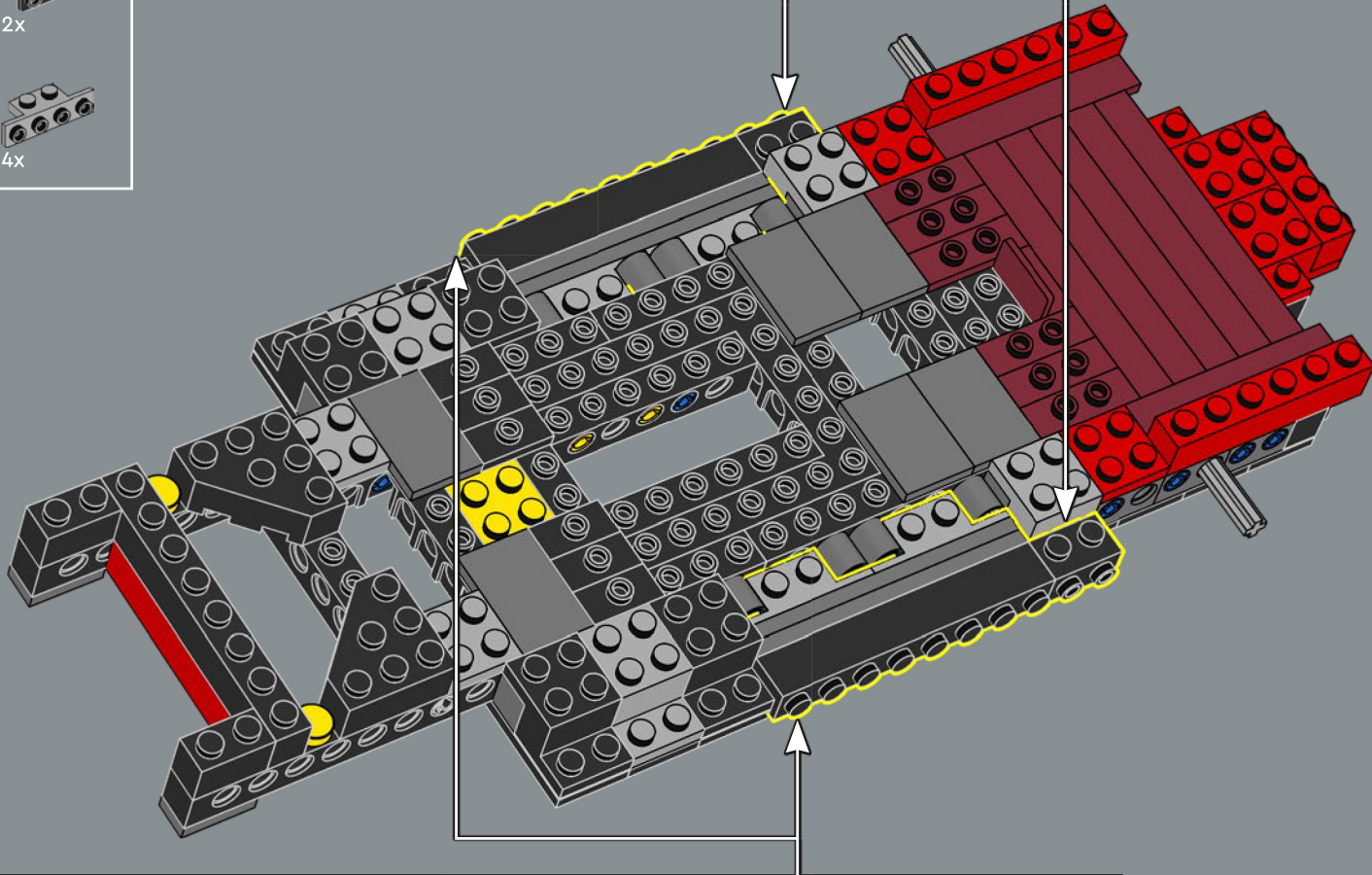


35

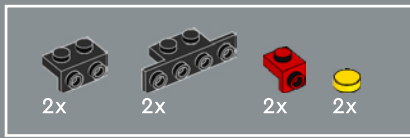




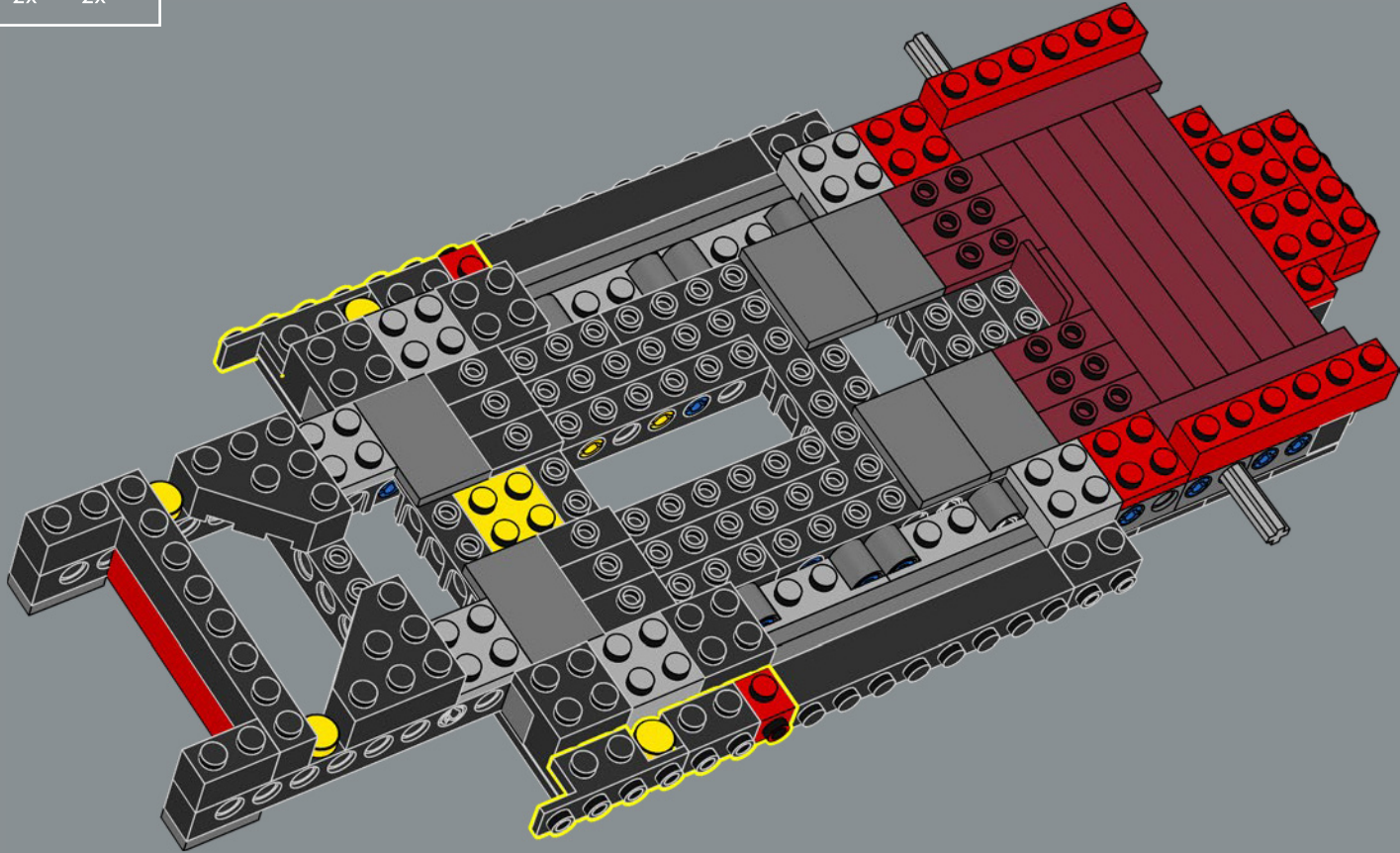
36

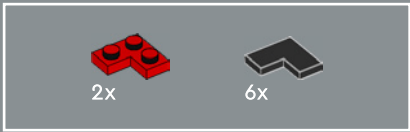




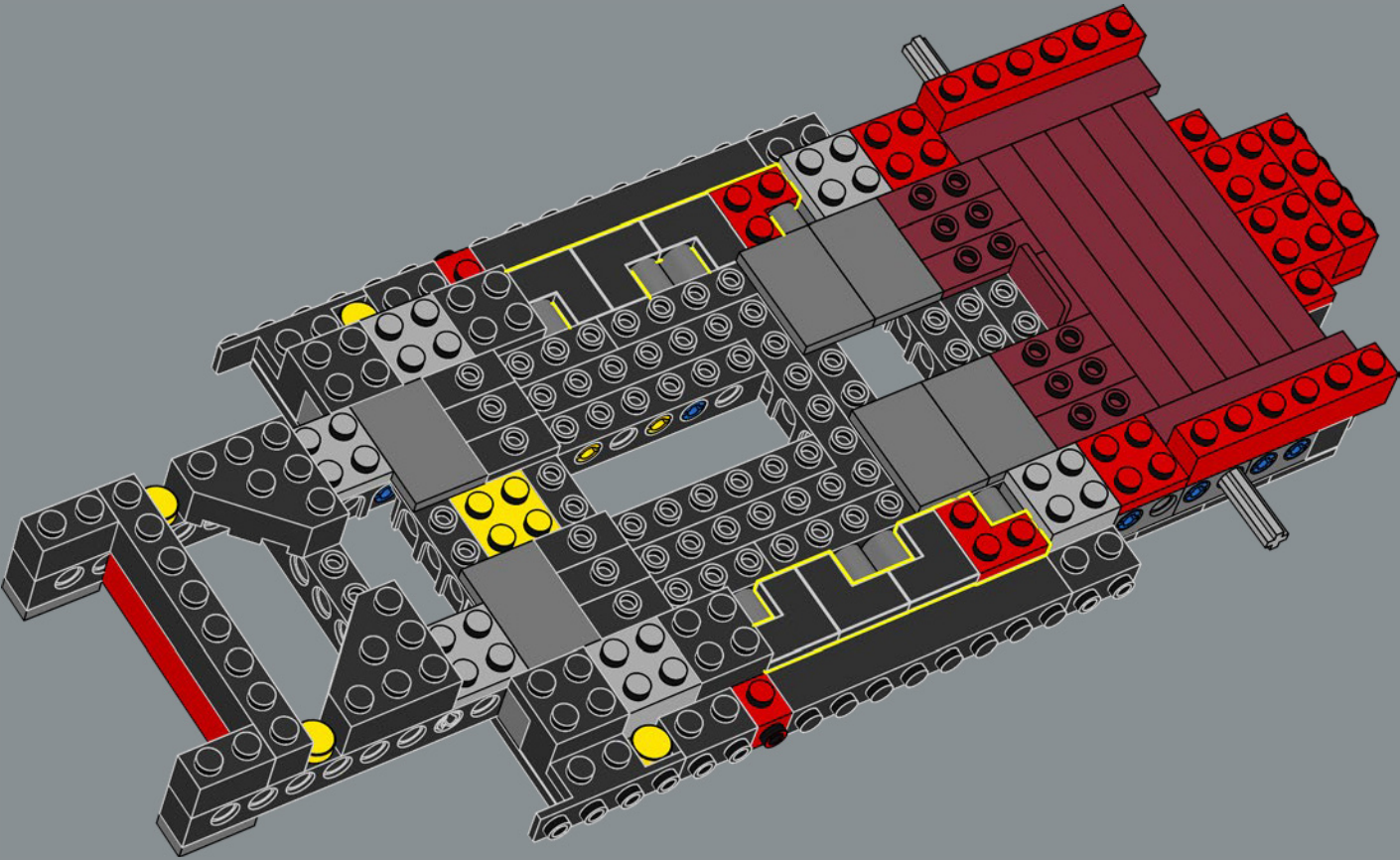


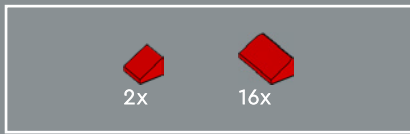
37



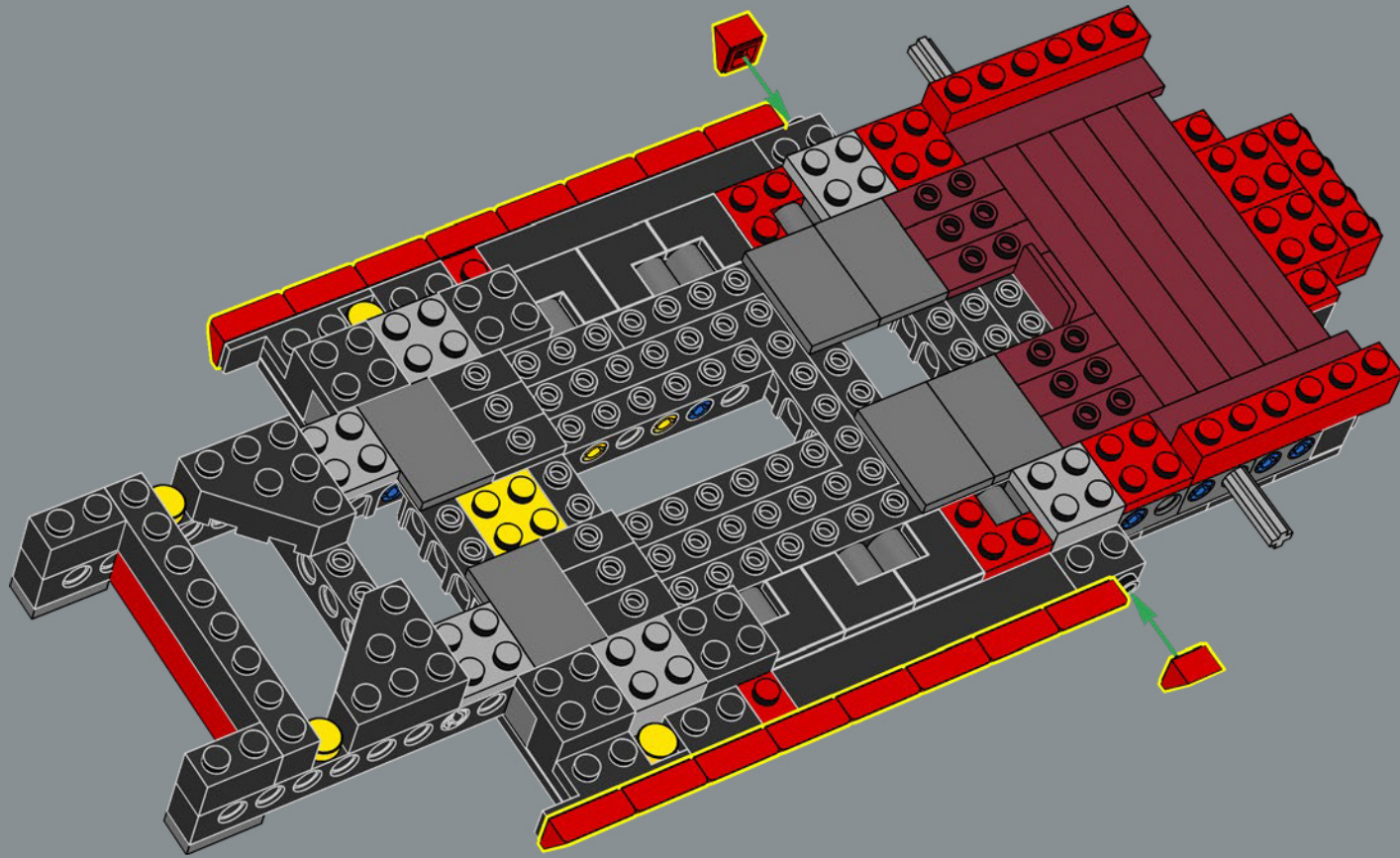


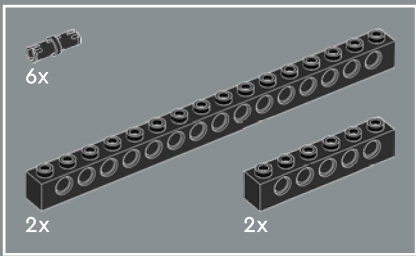
38





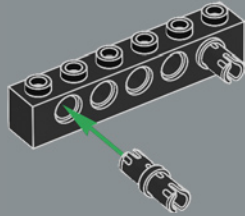
39



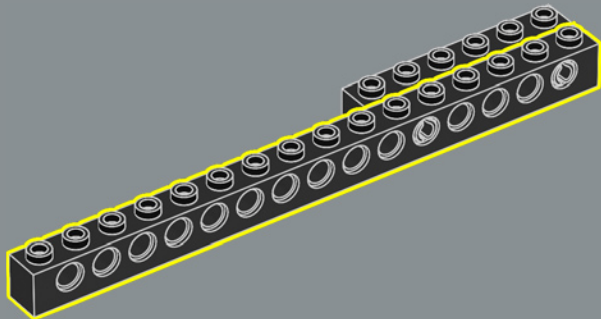


40

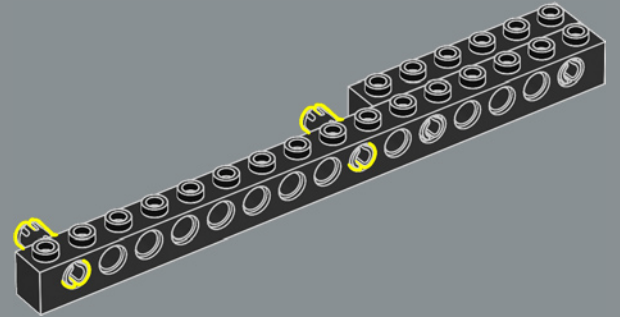
1



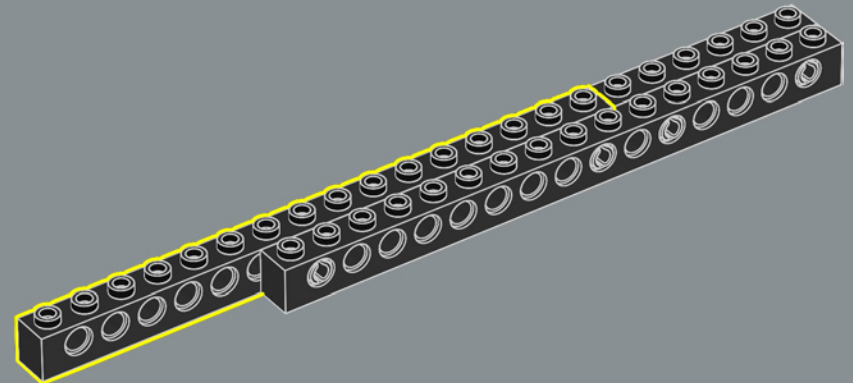
2



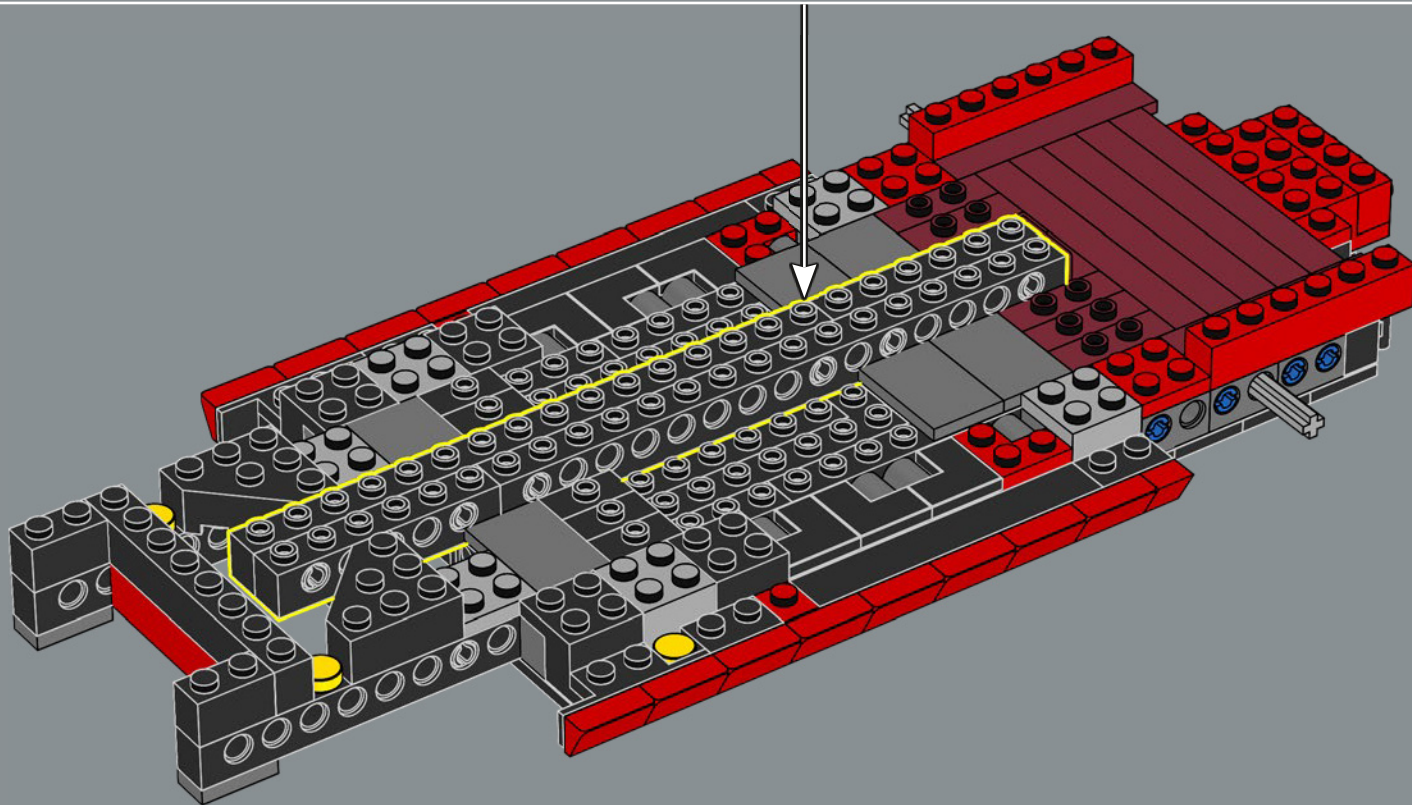
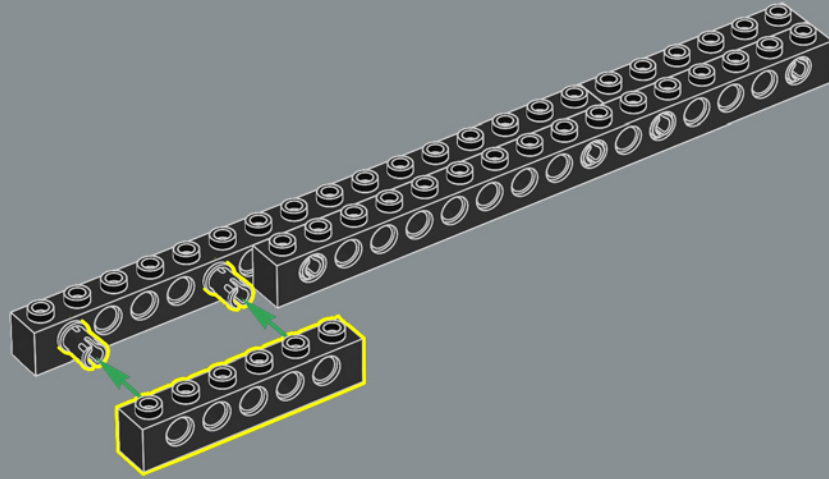
3

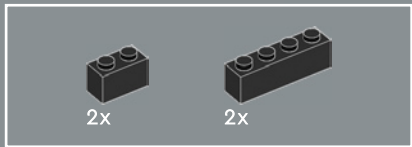


4

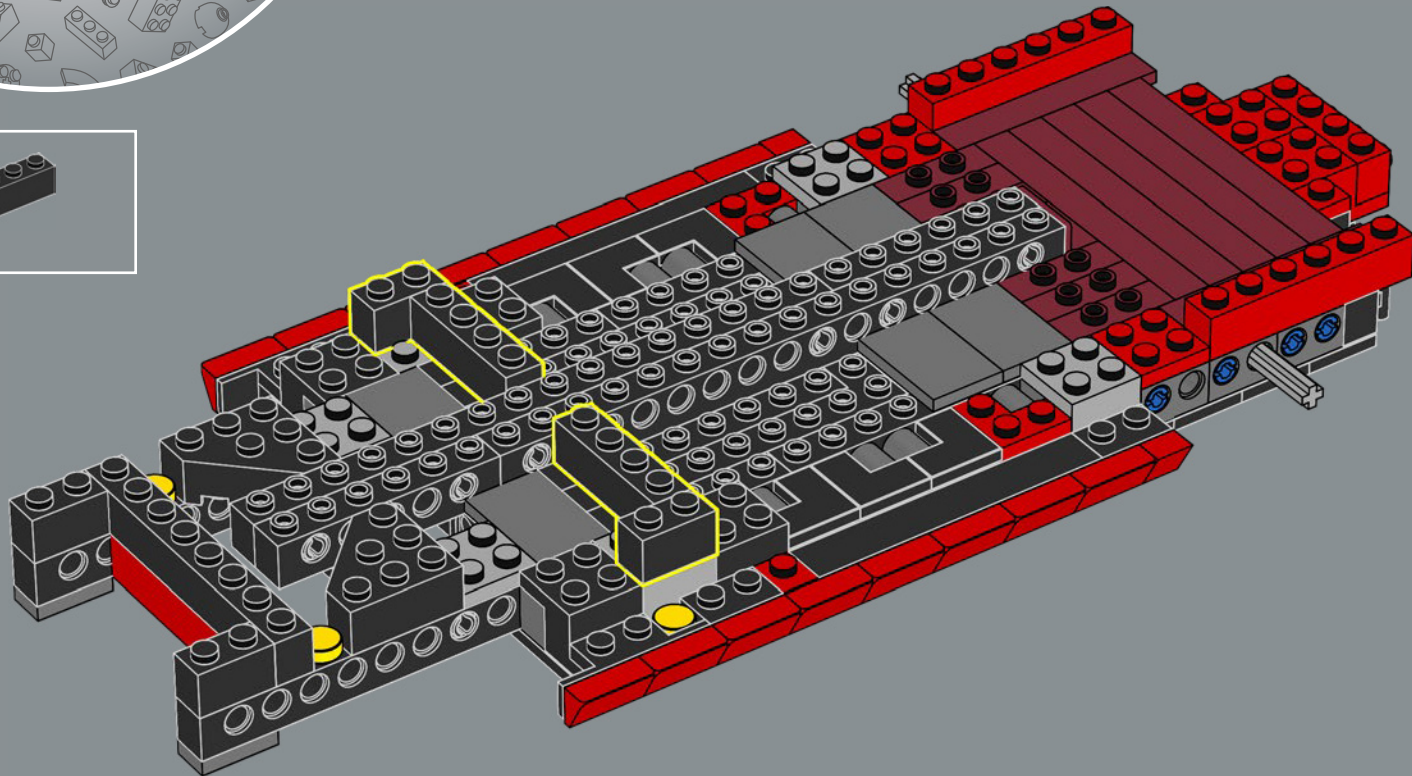


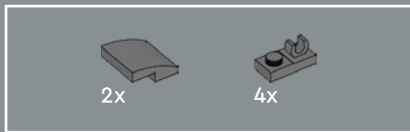
5



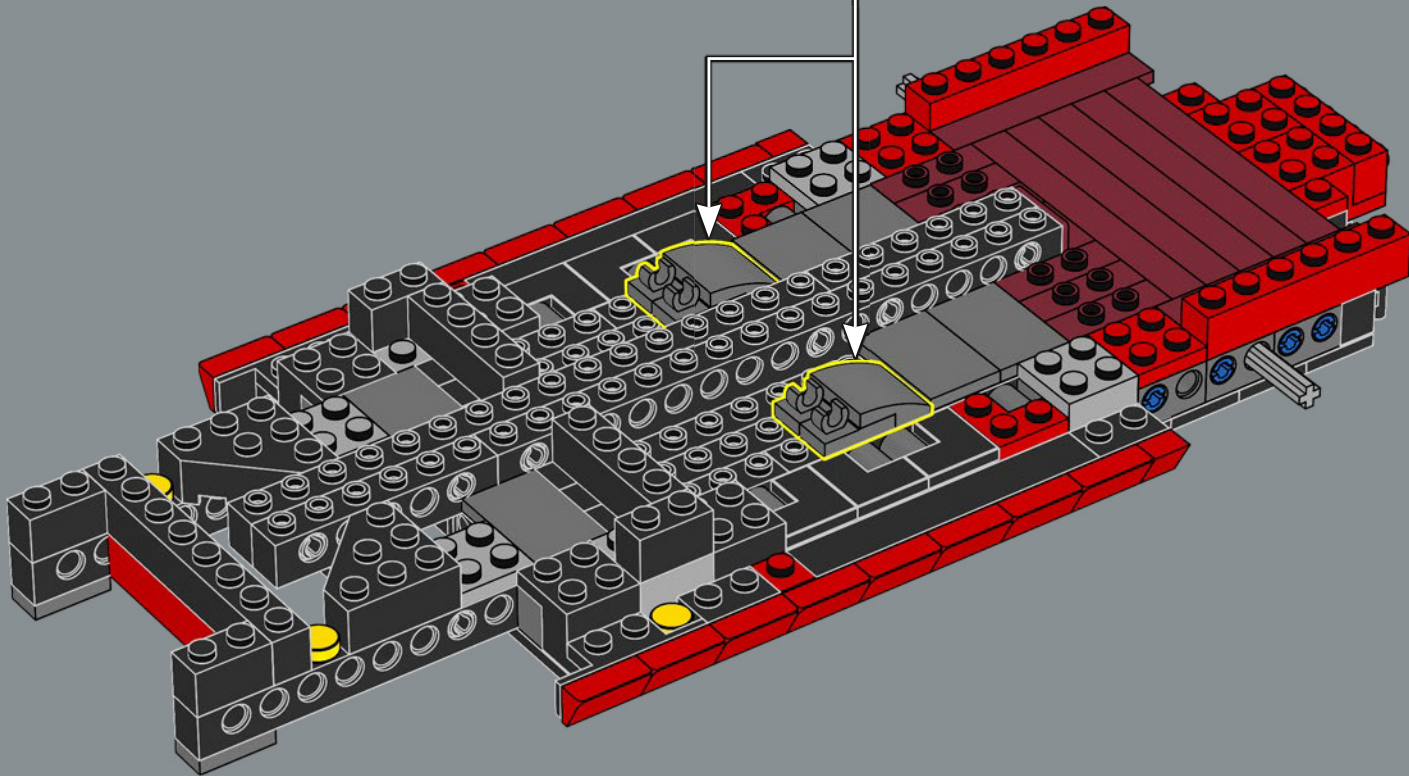
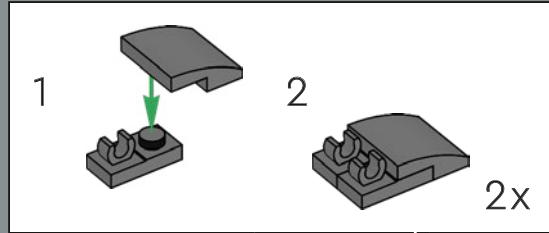


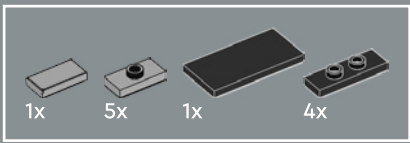
41



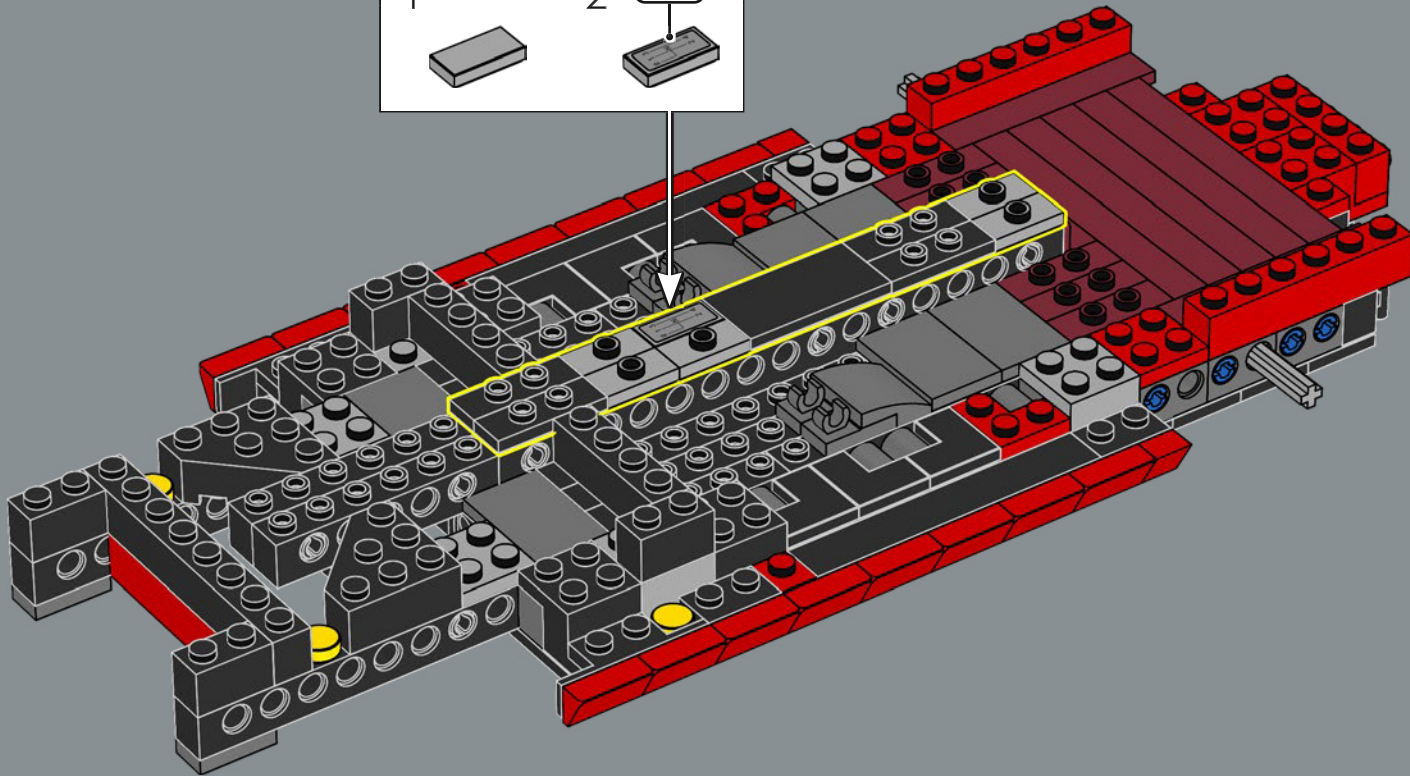
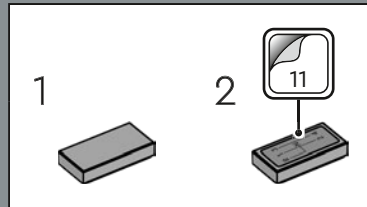


42

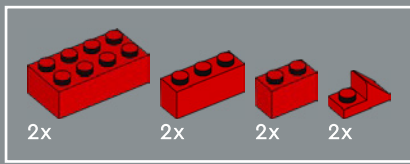




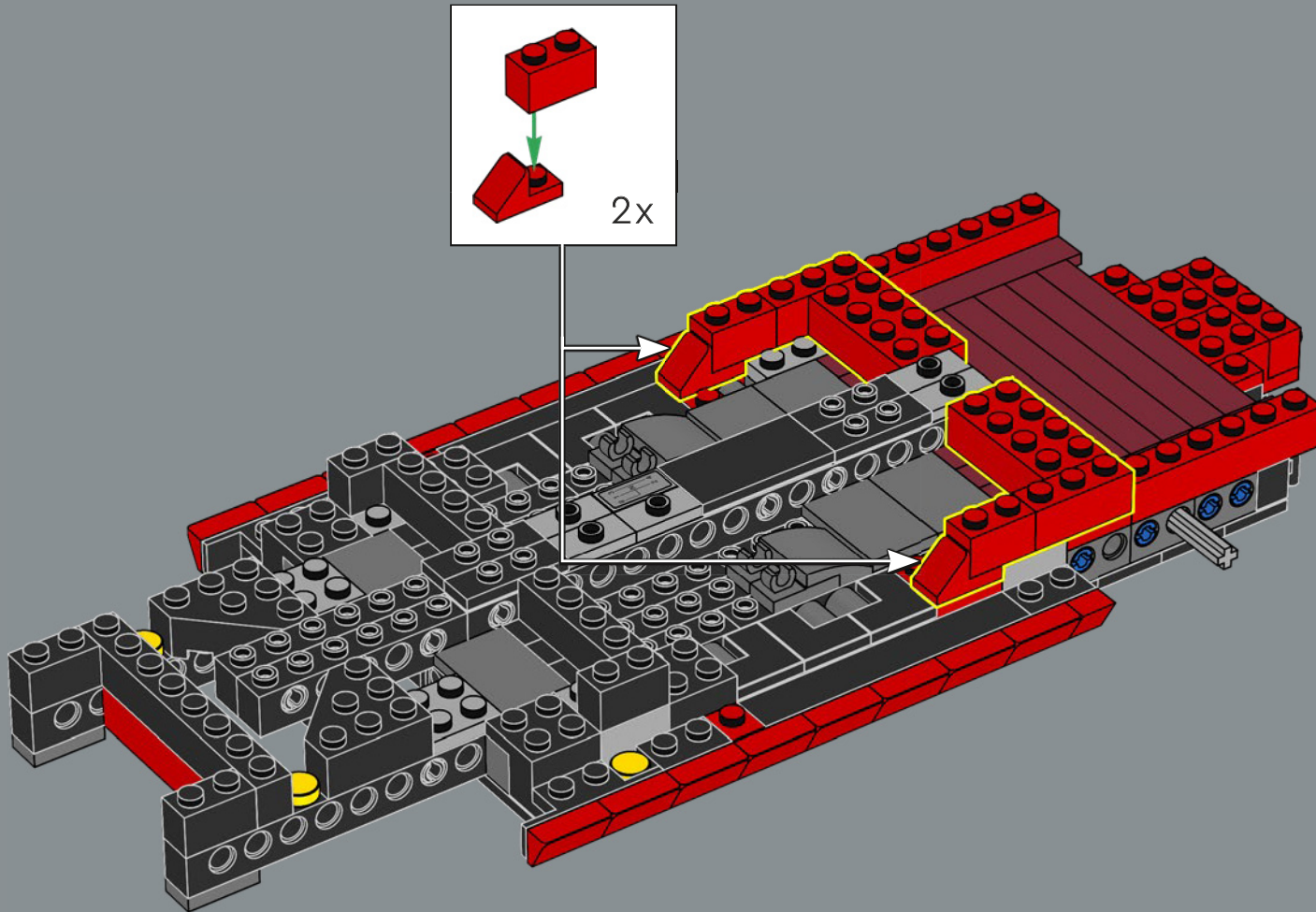
43

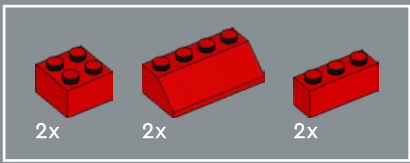




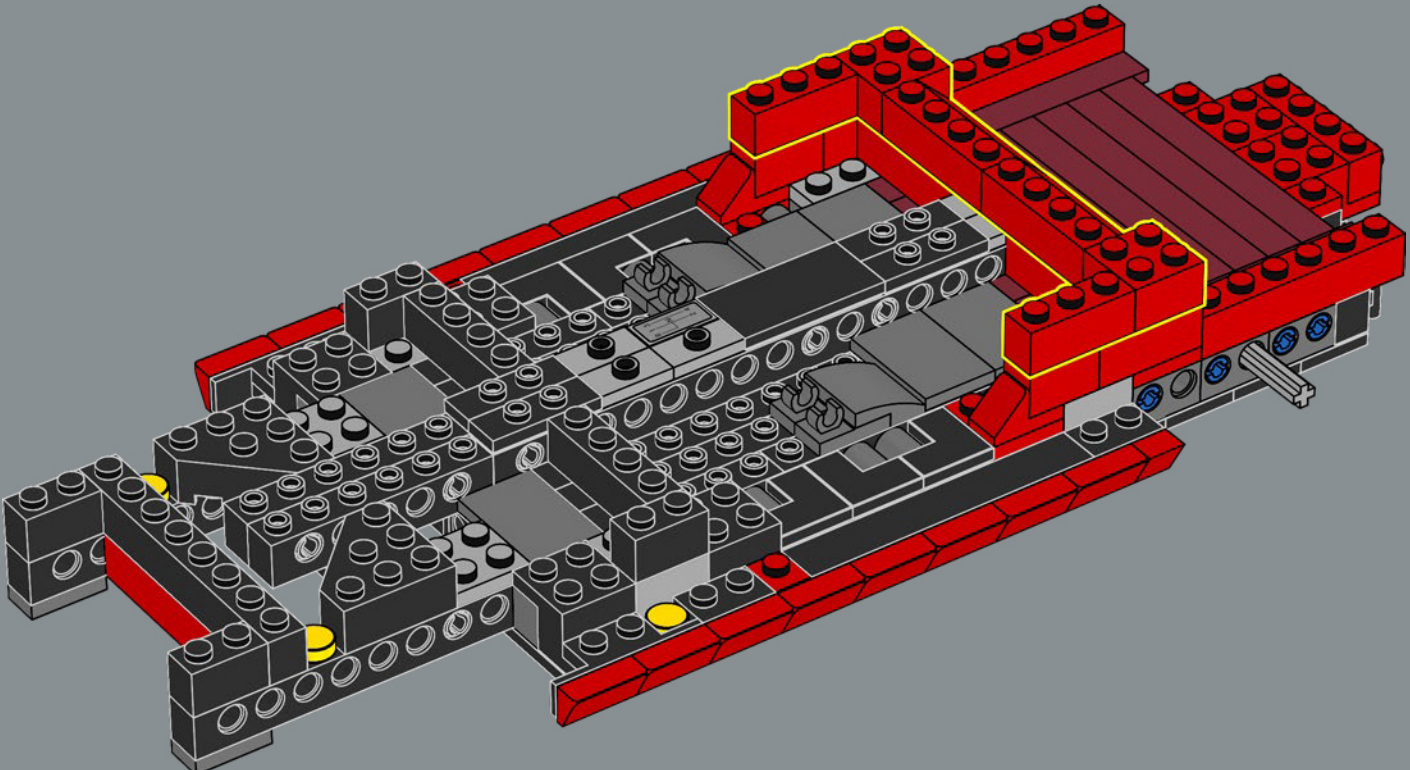


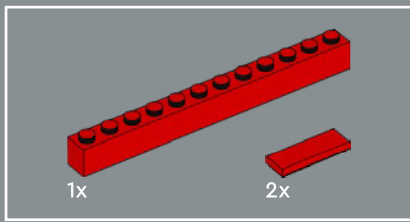
44



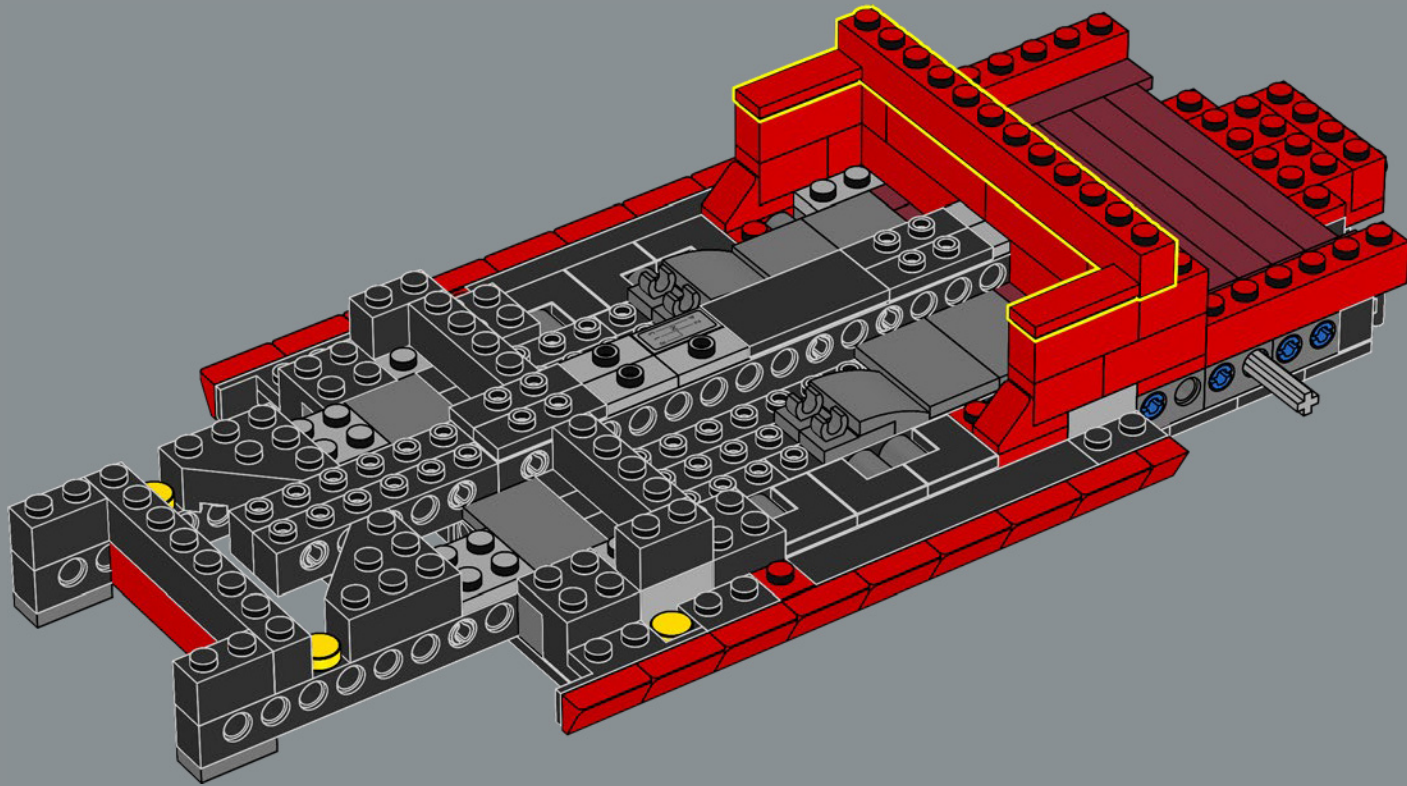


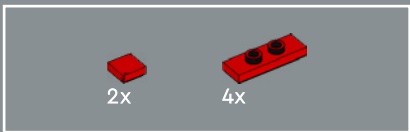
45



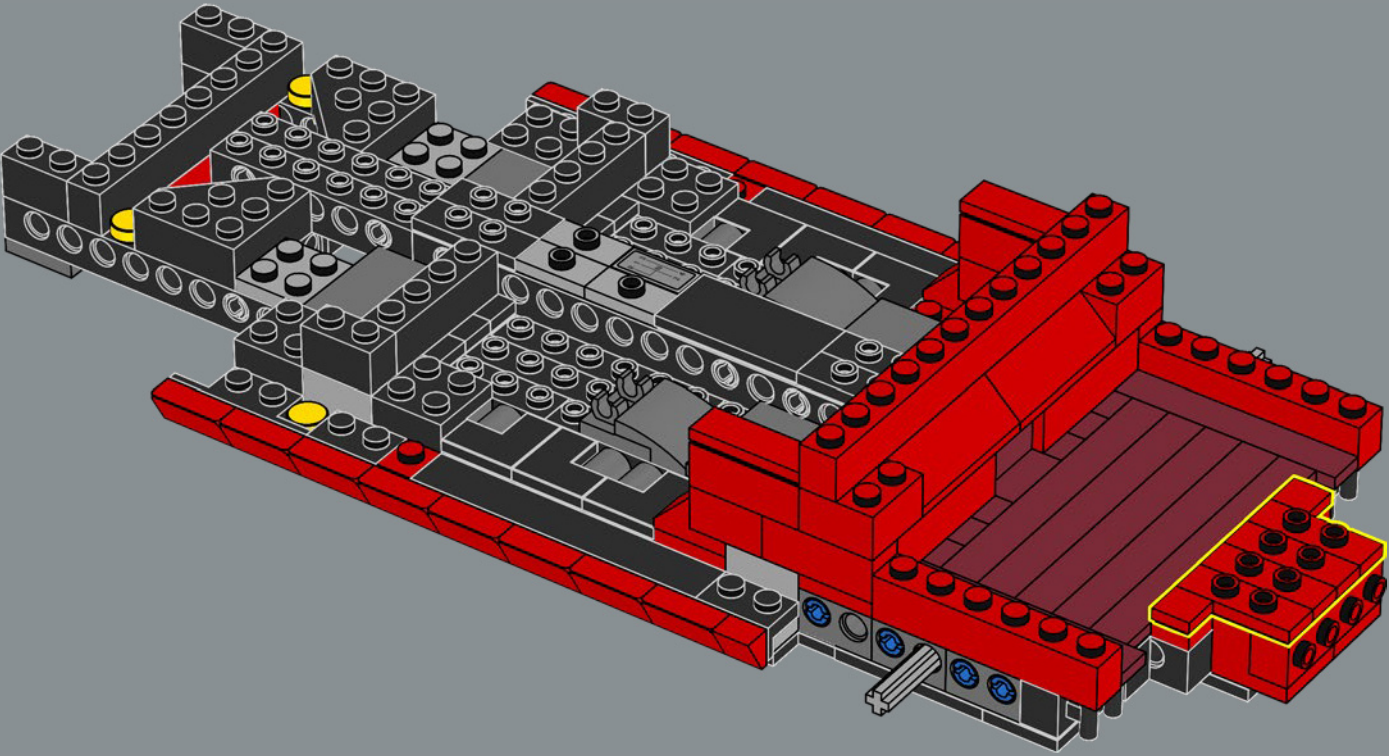


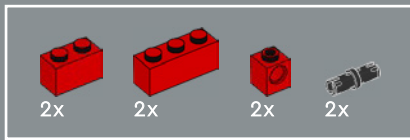
46



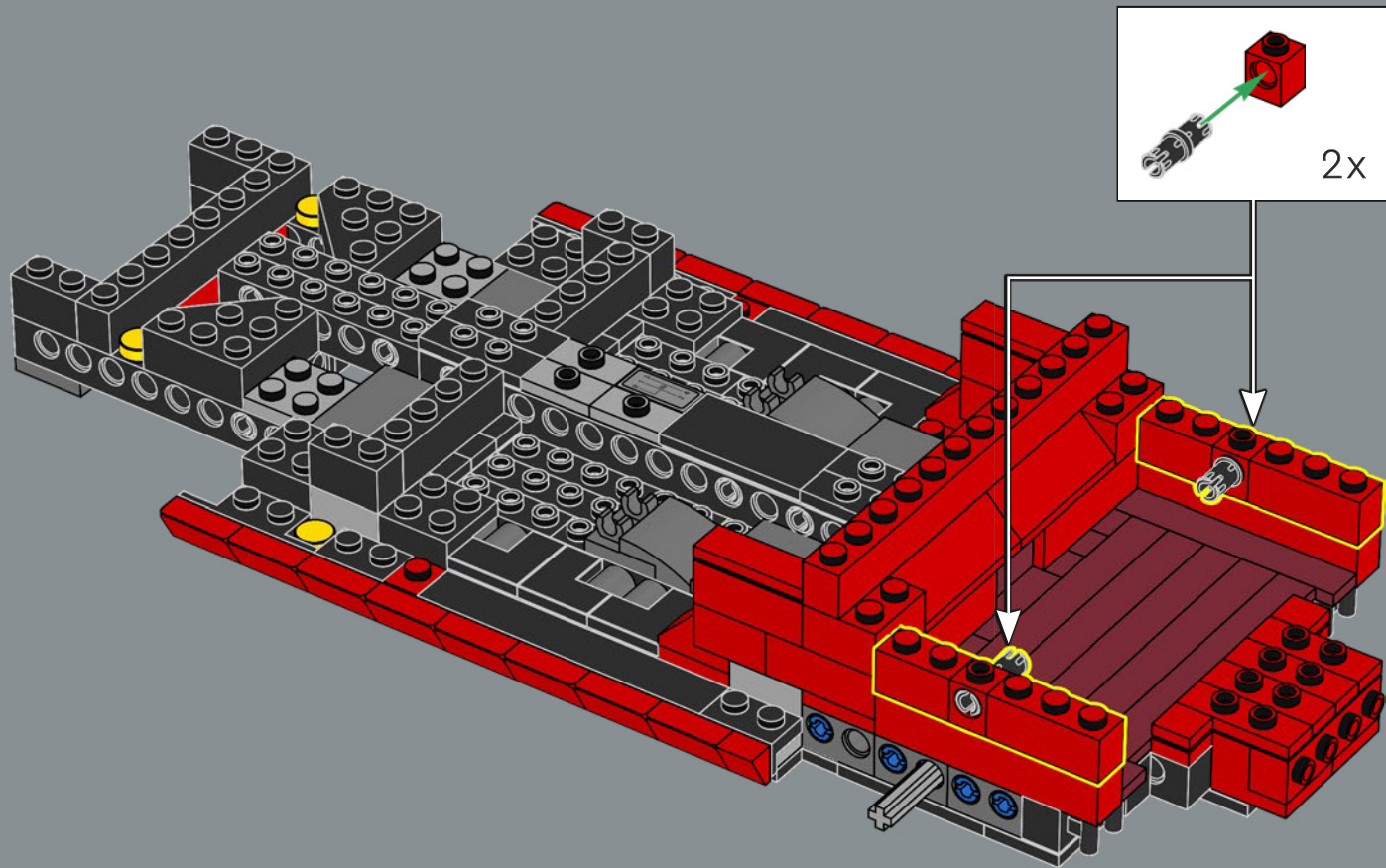


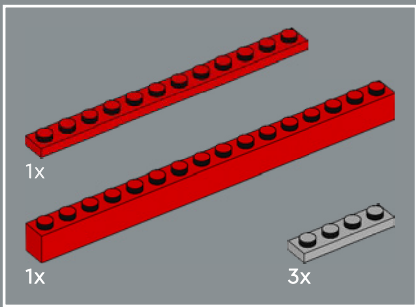
47



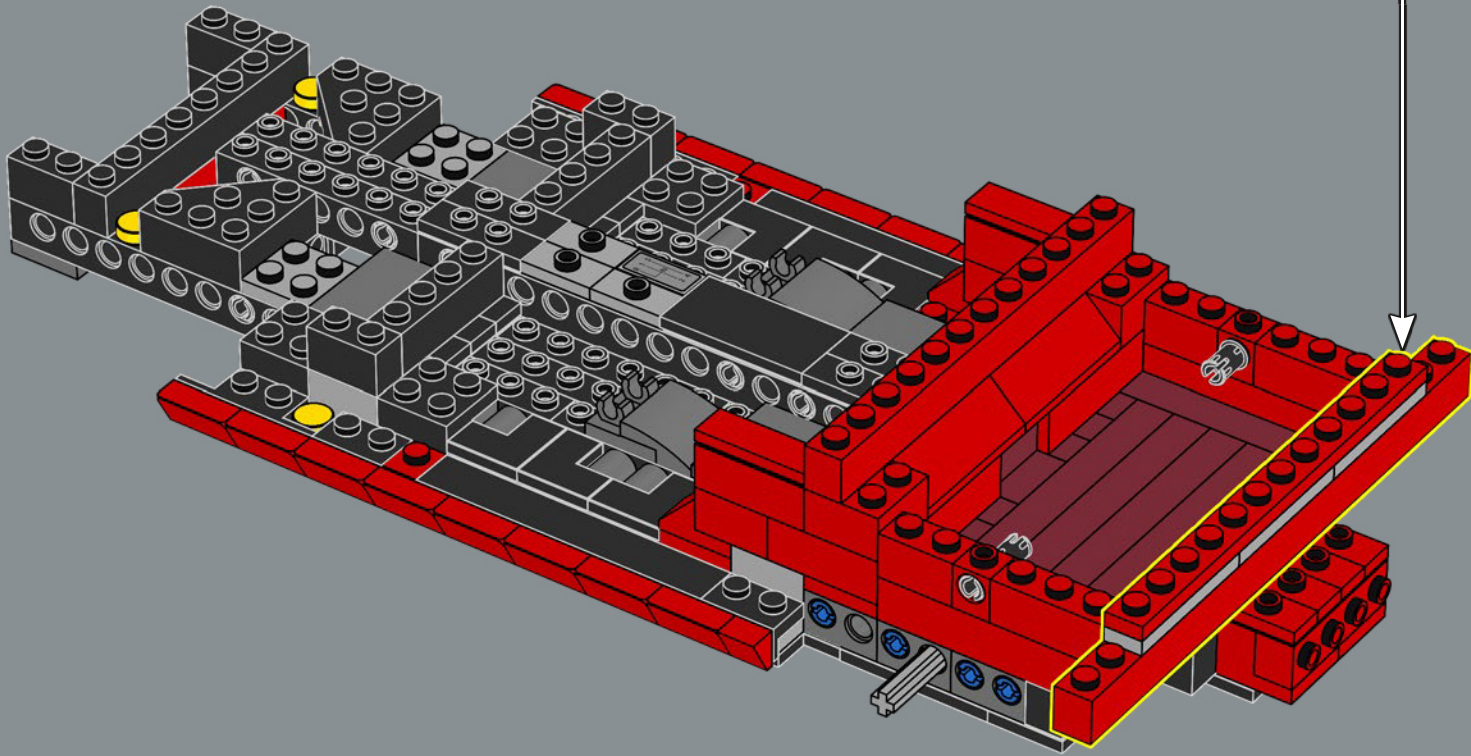
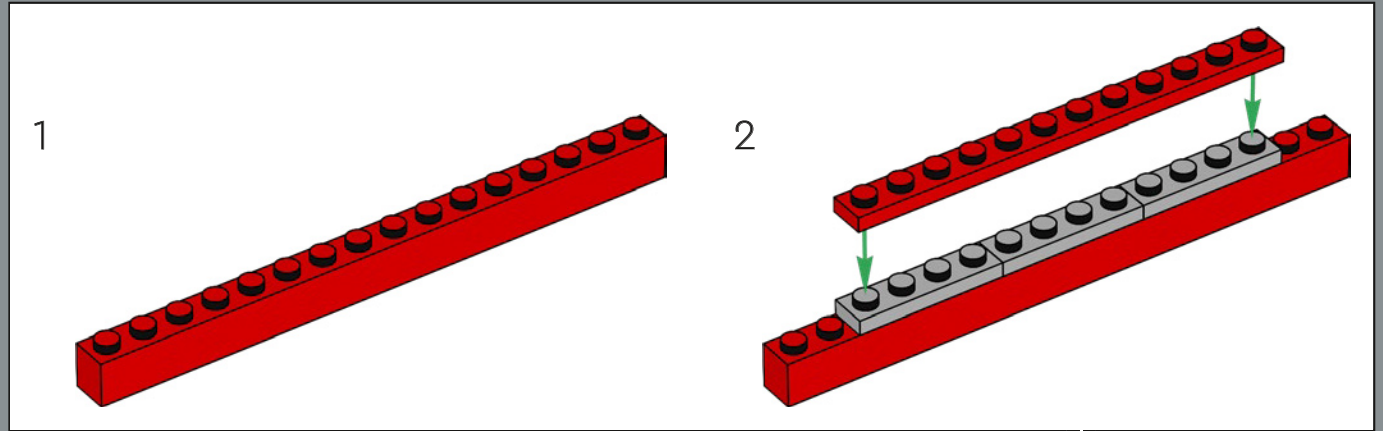


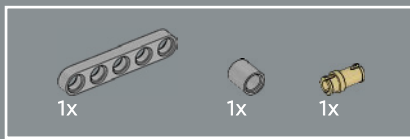
48



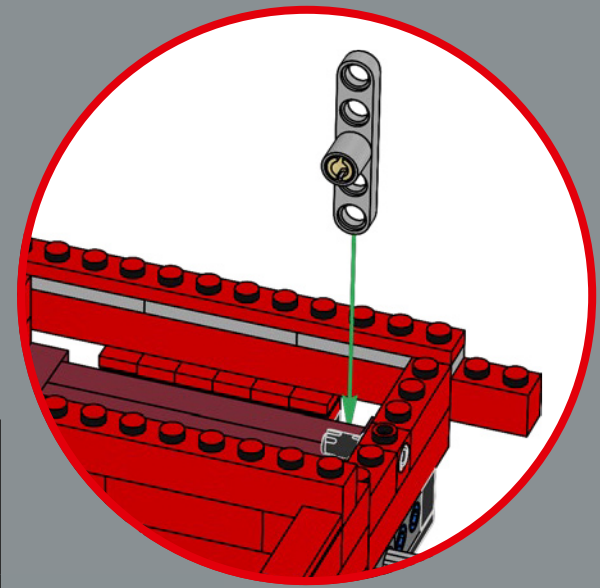
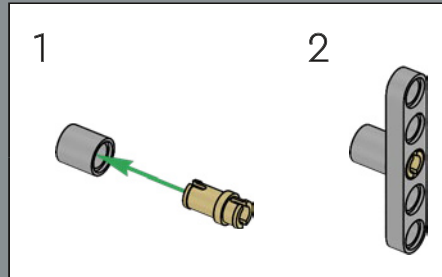
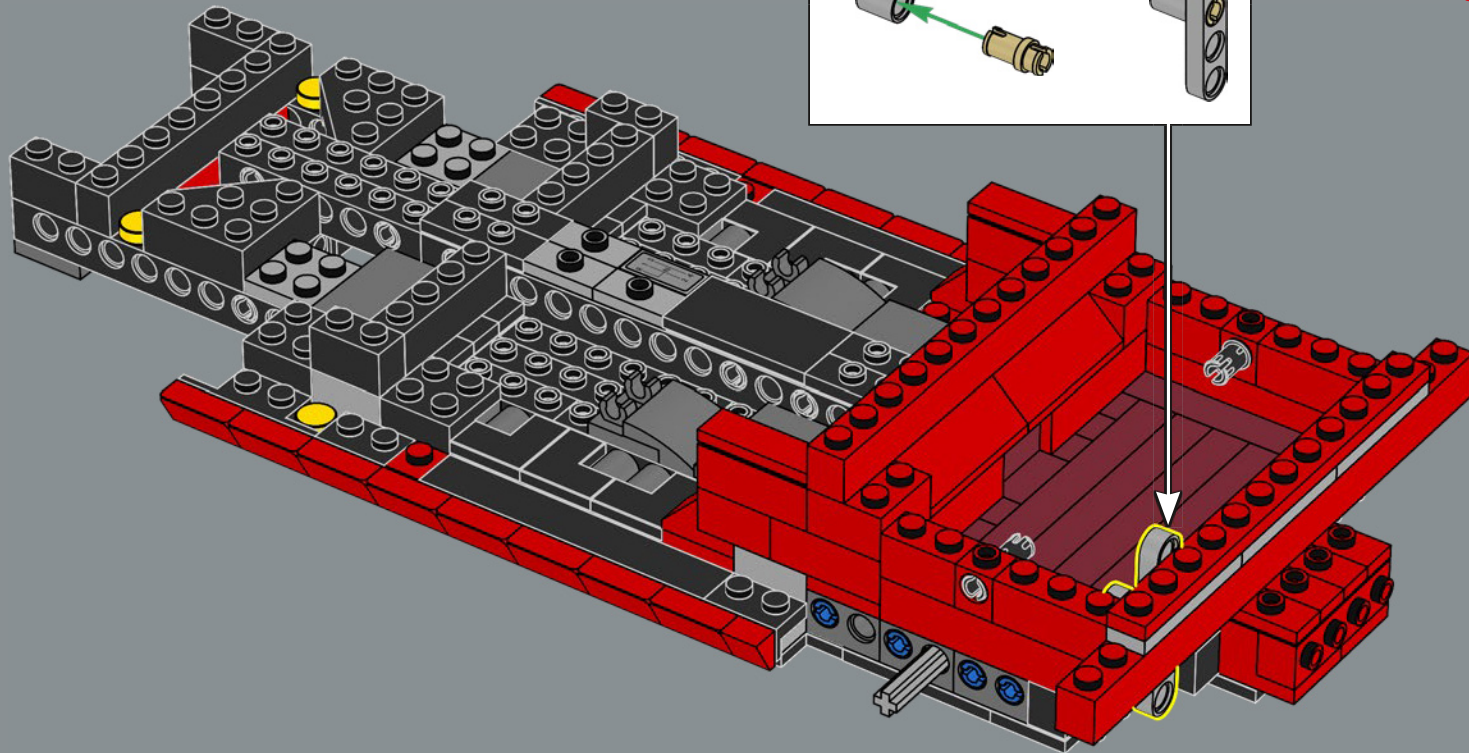


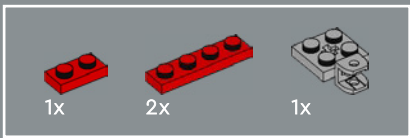
49



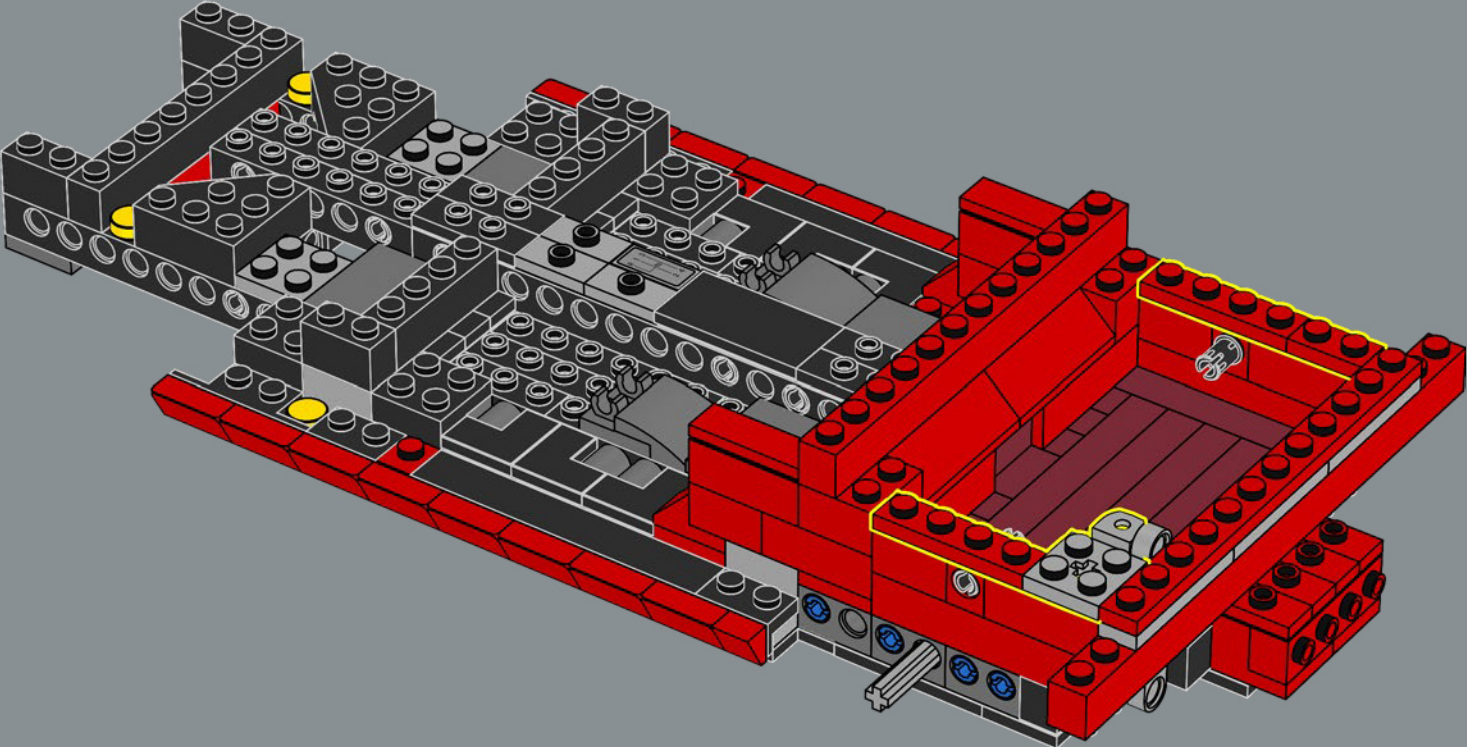


50

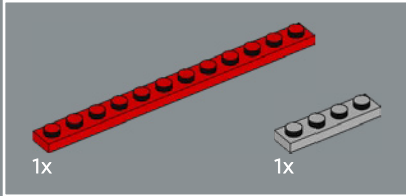
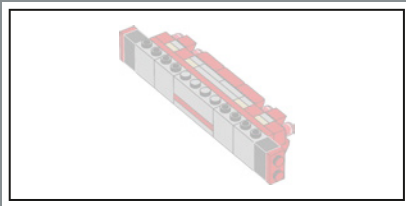




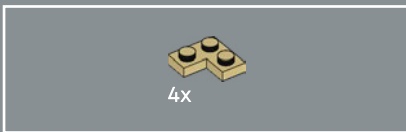
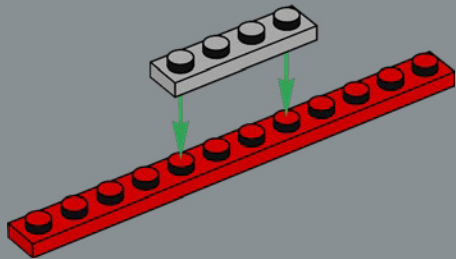
51



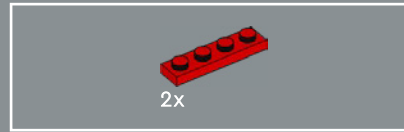
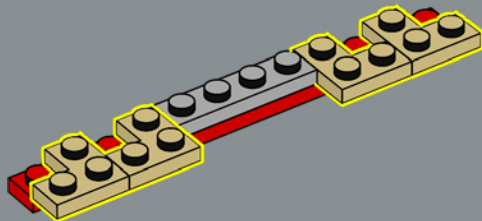




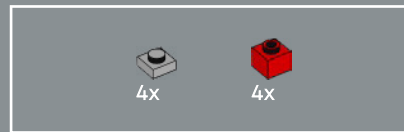
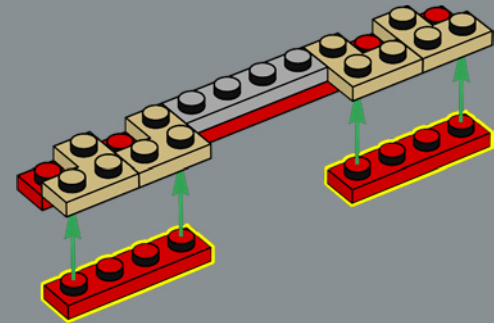
52



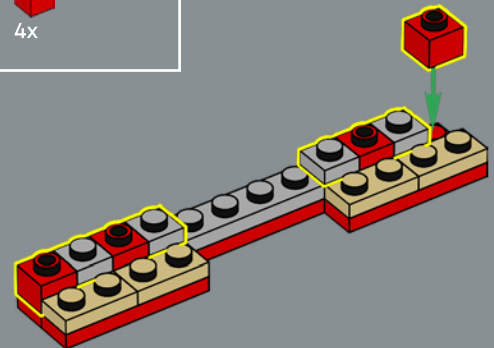
53

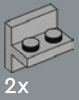


54



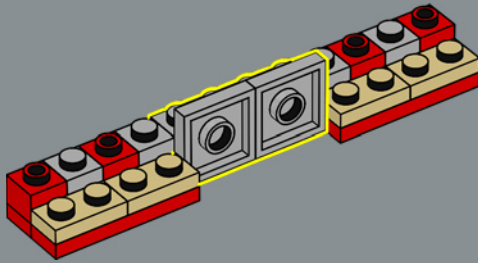
55





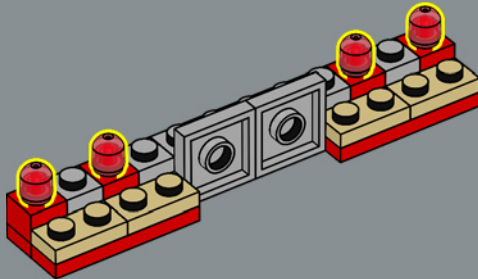
2x

56



4x

57

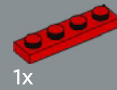
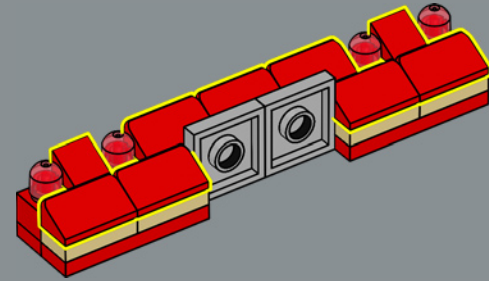


2x

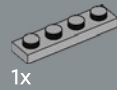


7x

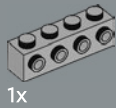
58



1x

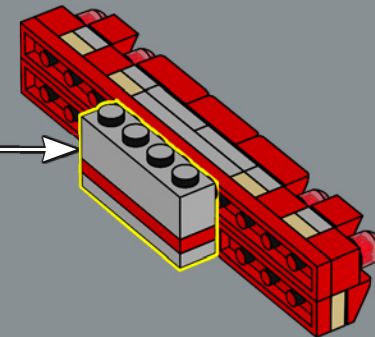
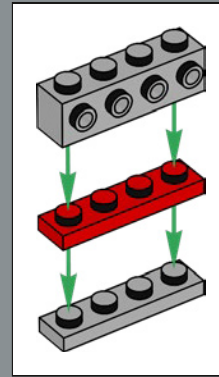


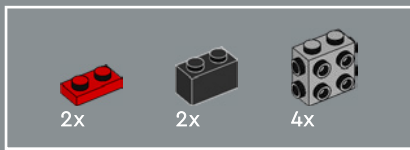
1x



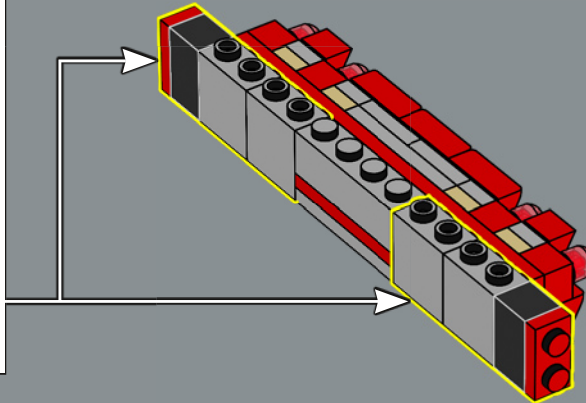
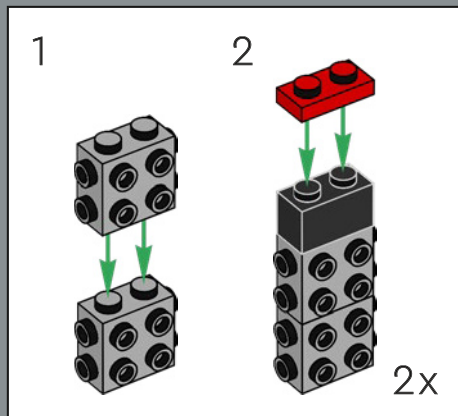
1x

59

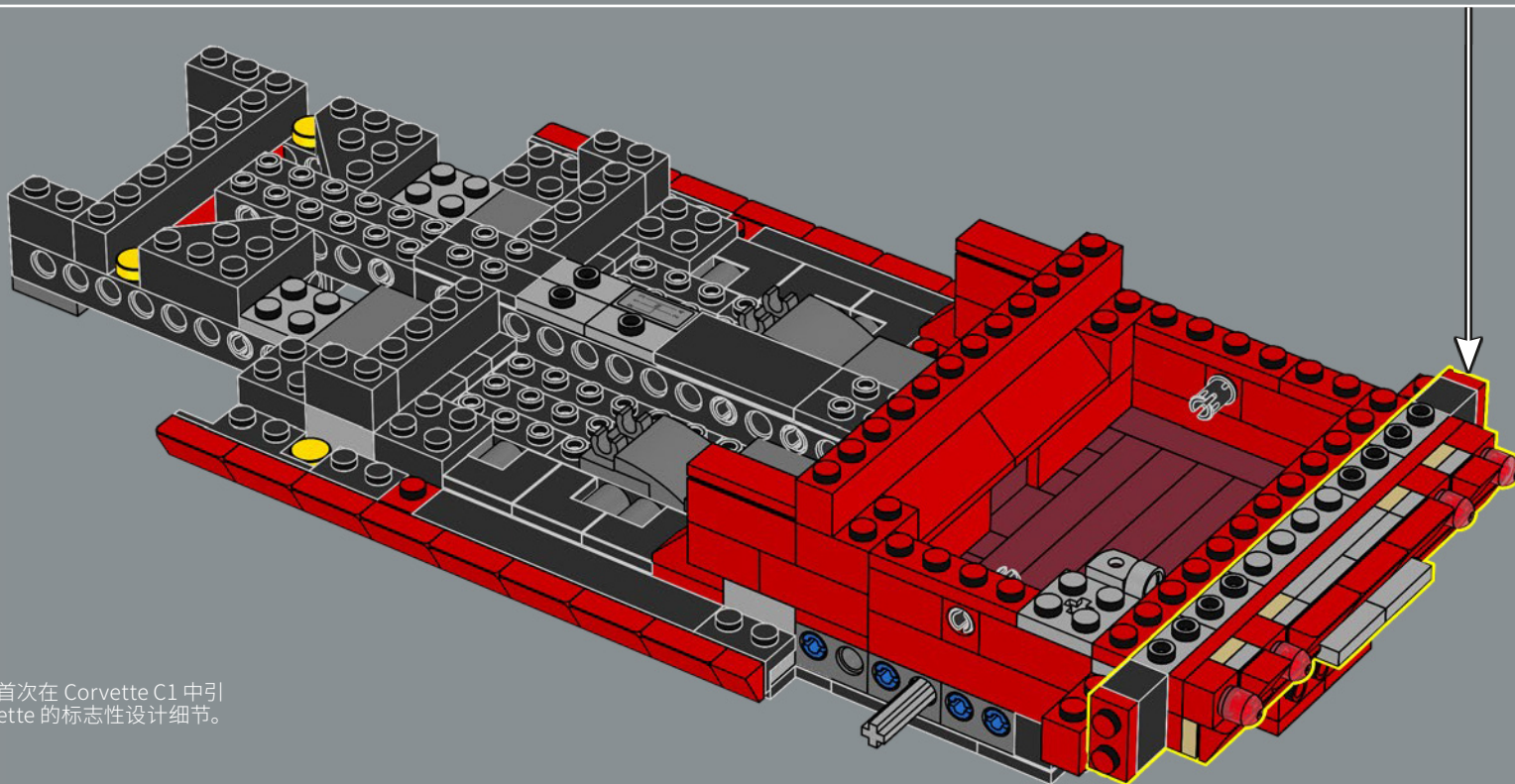




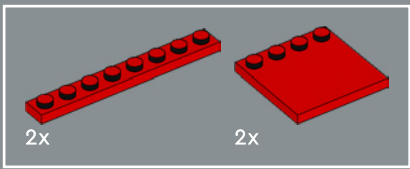
60



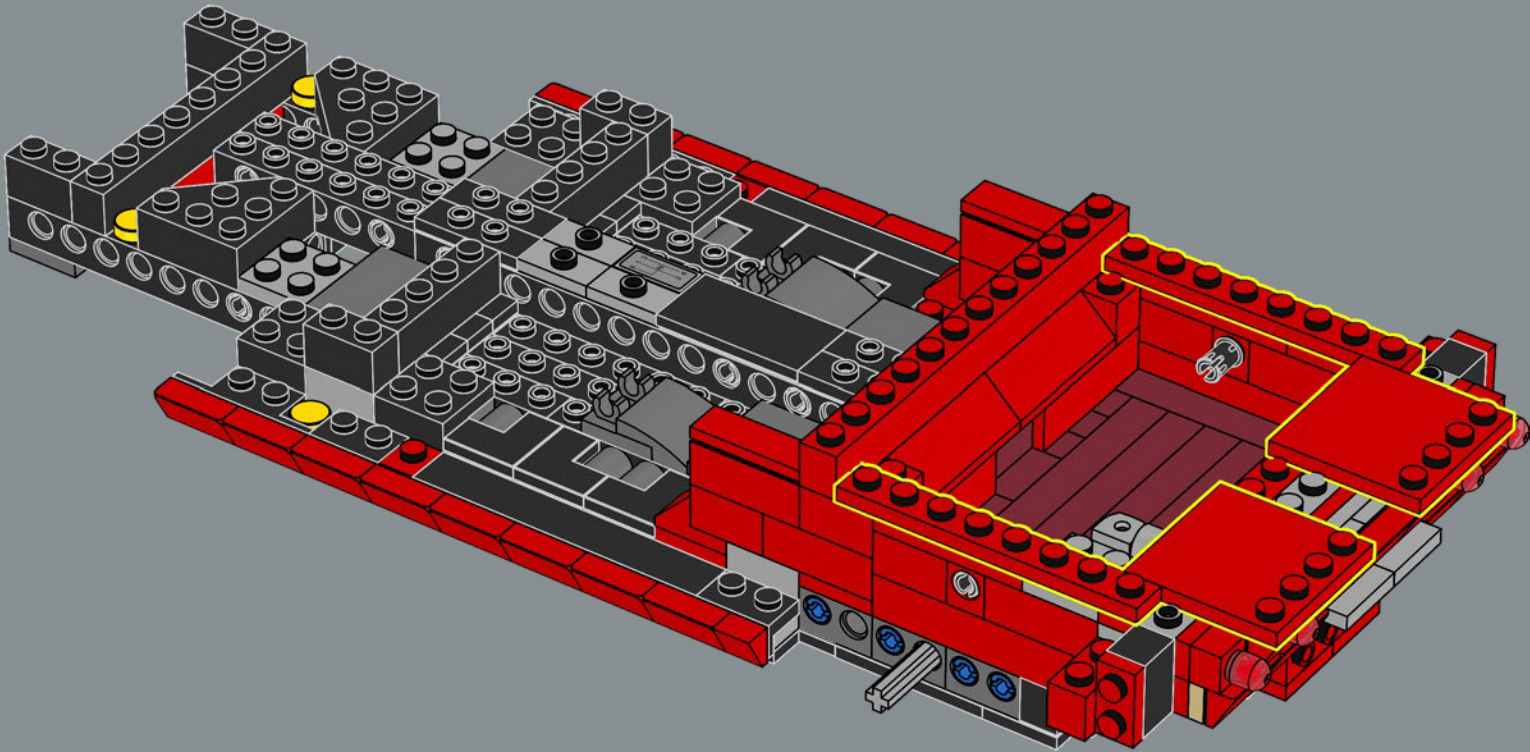
61

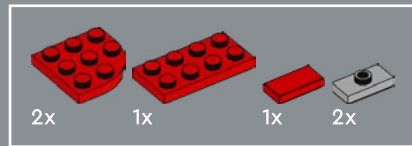


标志性的圆形尾灯首次在 Corvette C1 中引入，至今仍是 Corvette 的标志性设计细节。

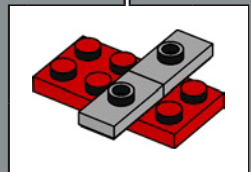
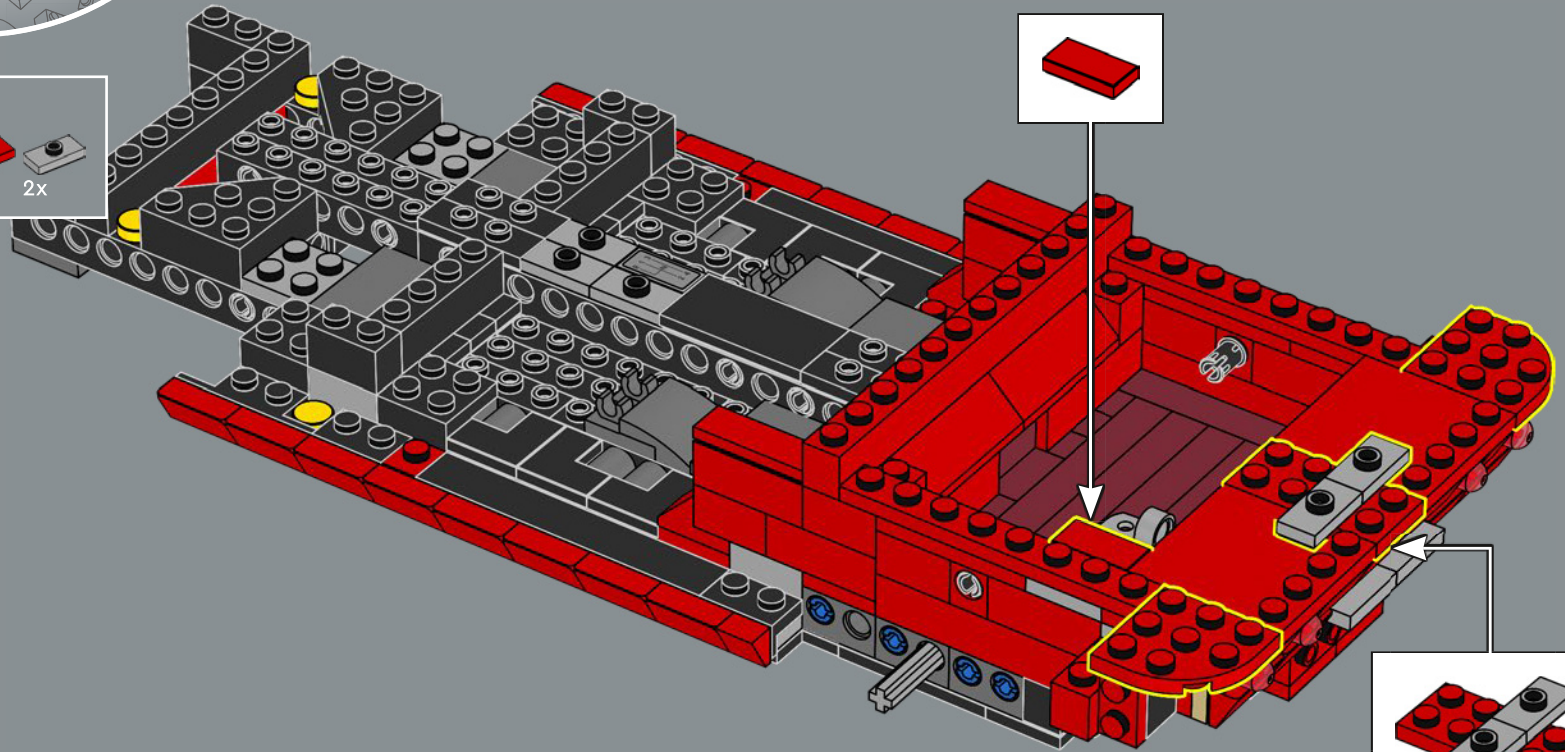


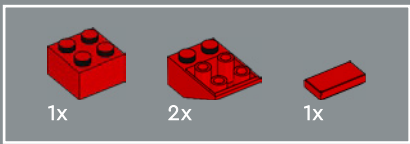
62



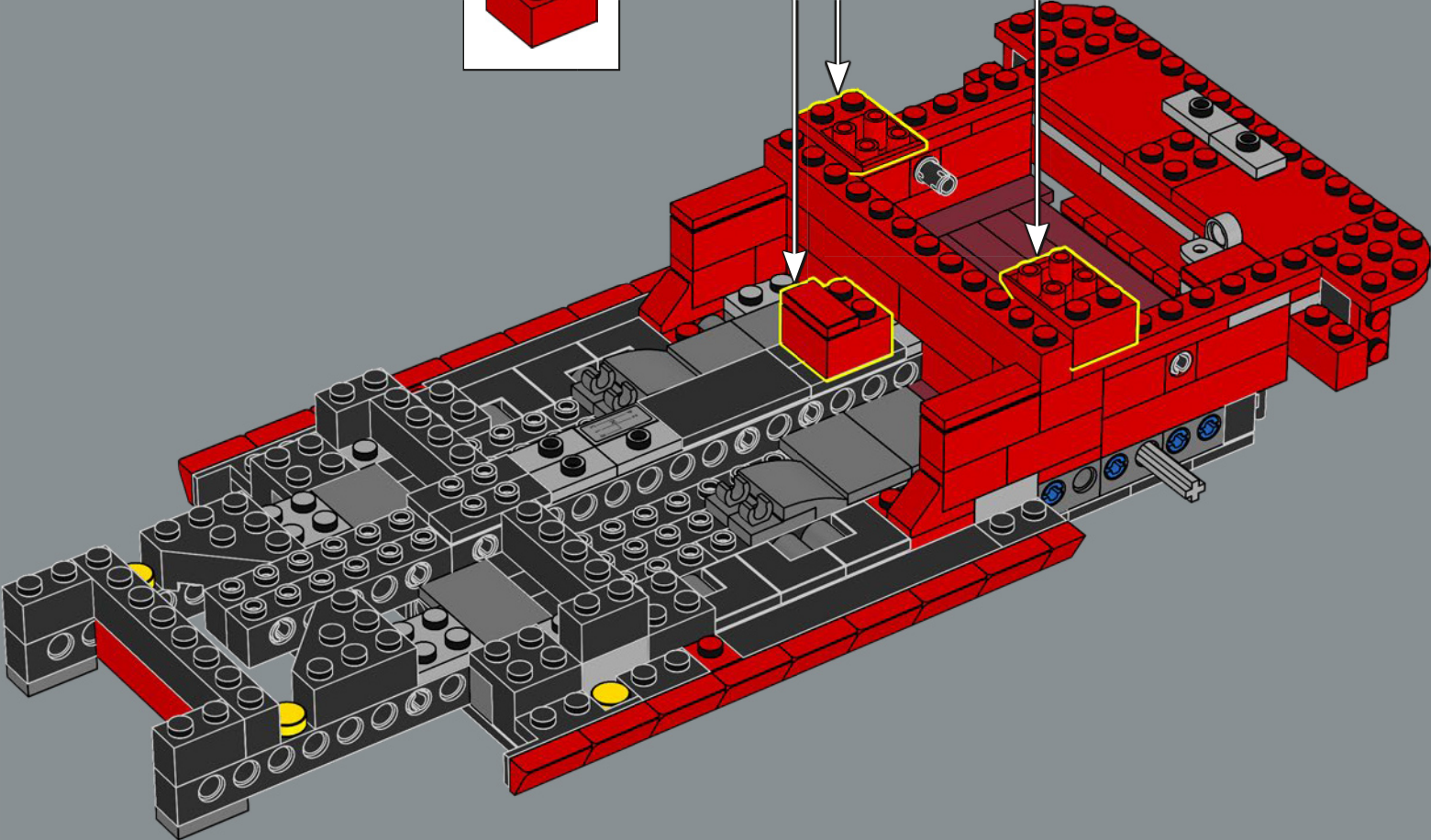
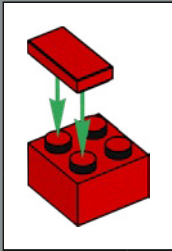
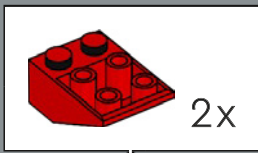


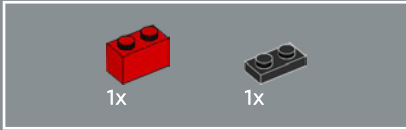
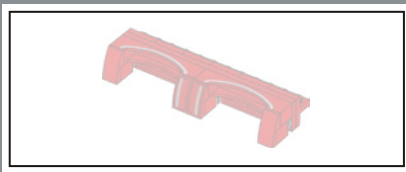
63



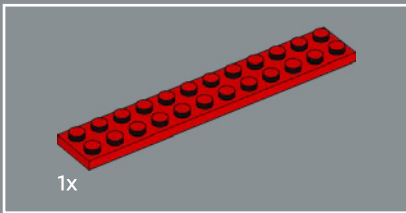
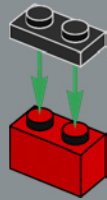


64

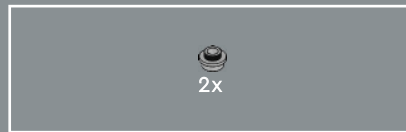
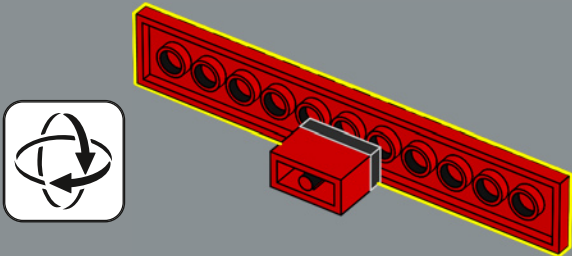




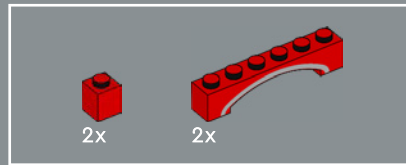
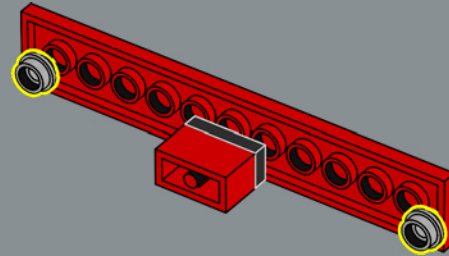
65



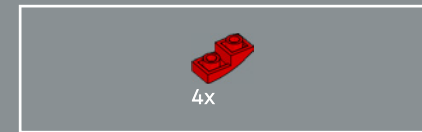
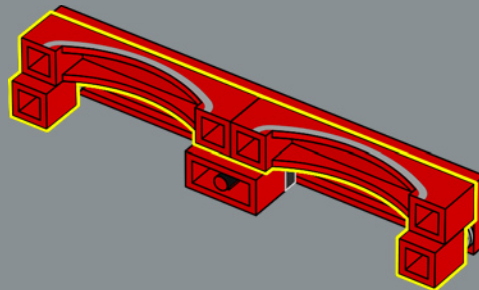
66



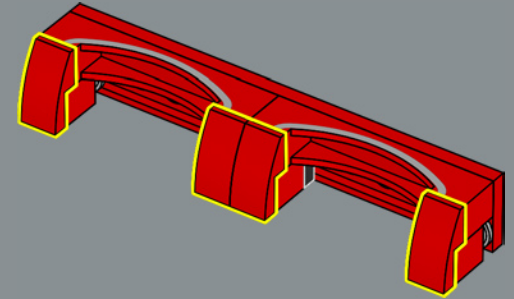
67



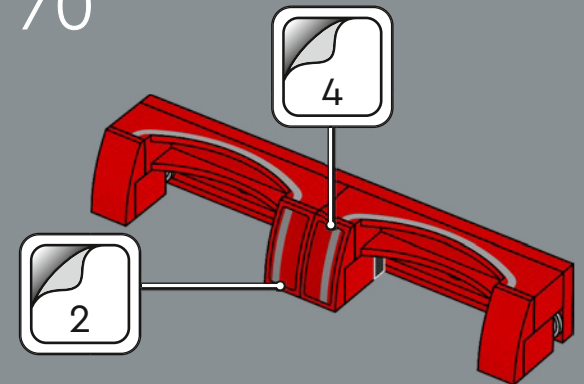
68

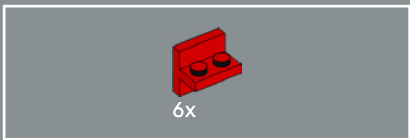


69

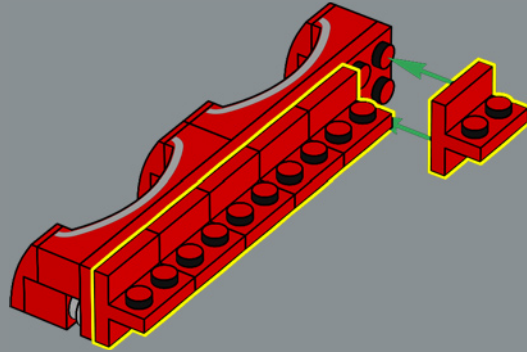


70

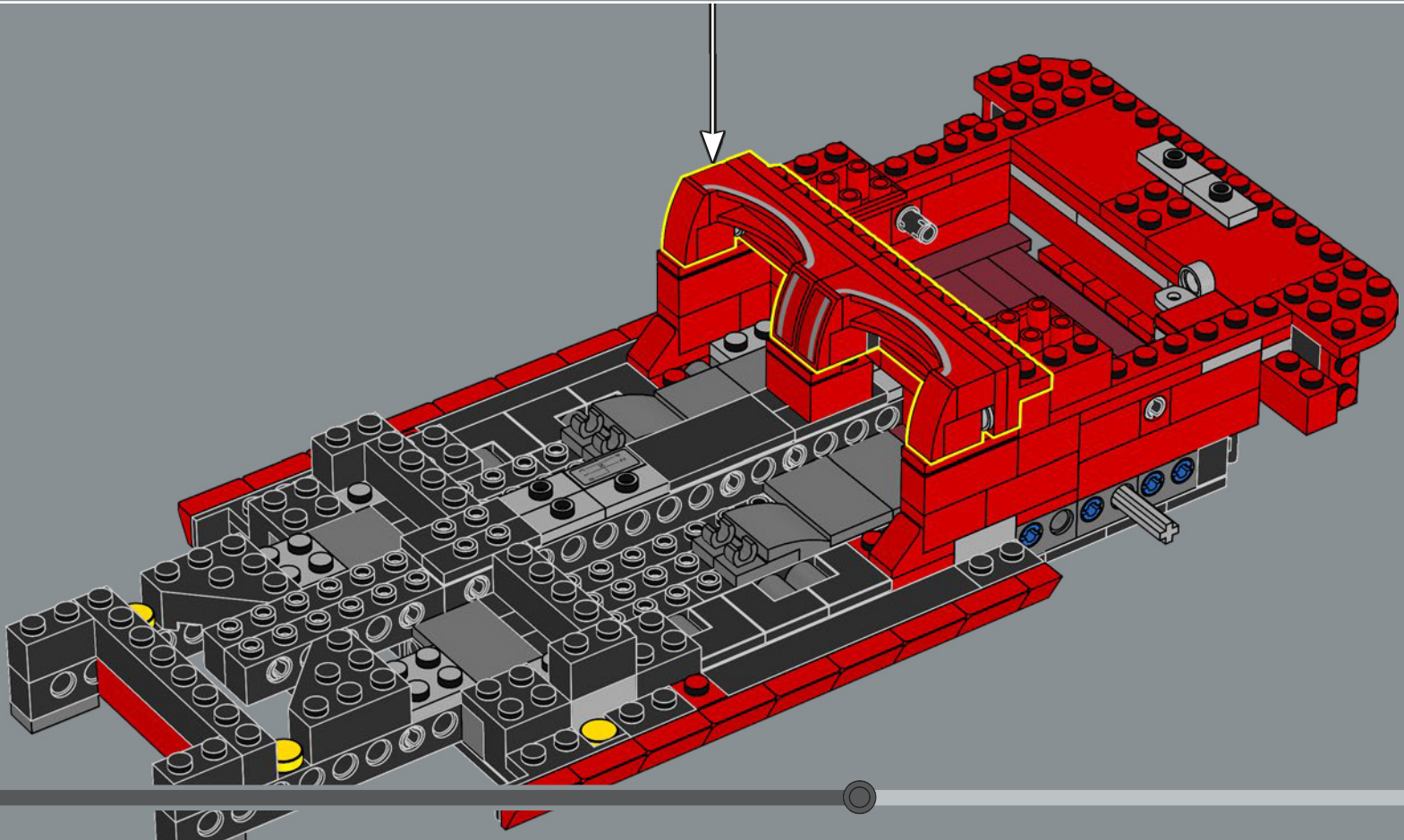




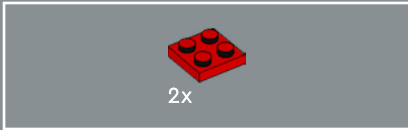
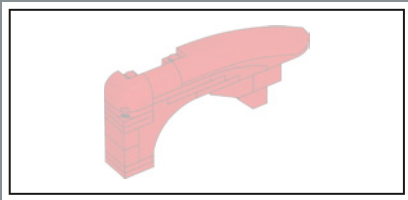
71



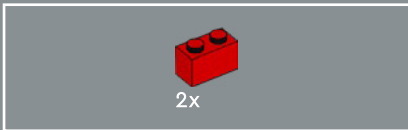
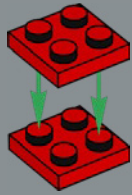
72



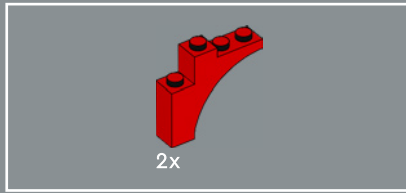
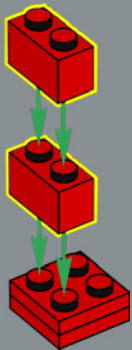




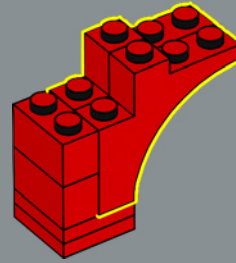
73



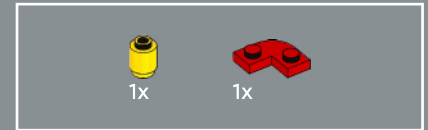
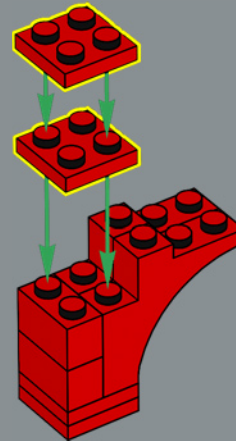
74



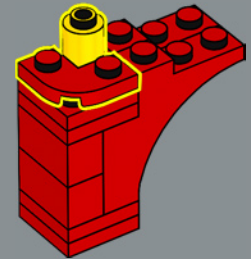
75

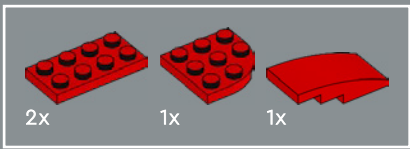


76

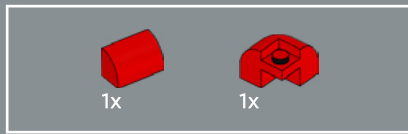
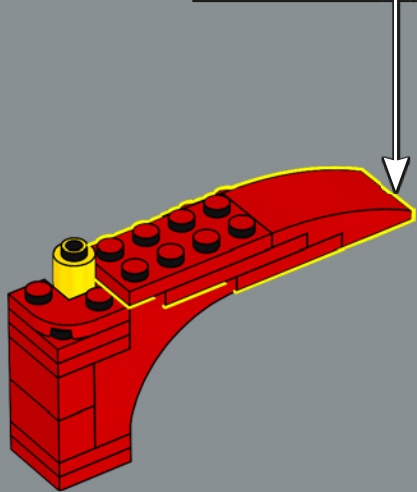
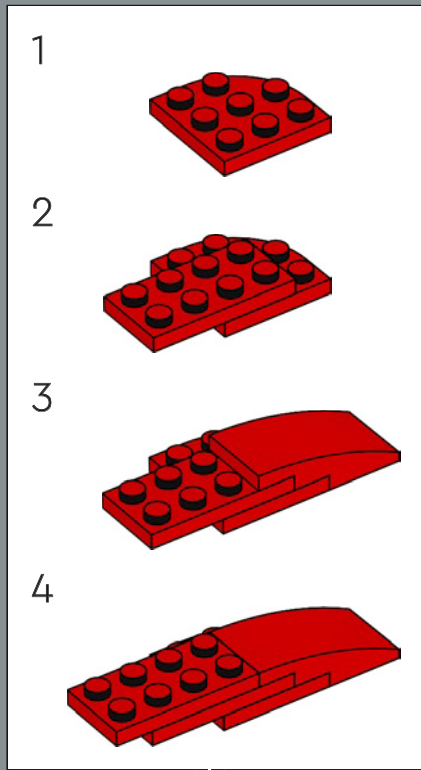


77

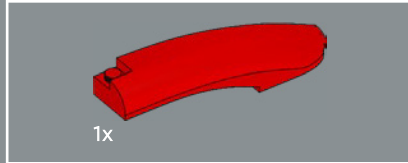
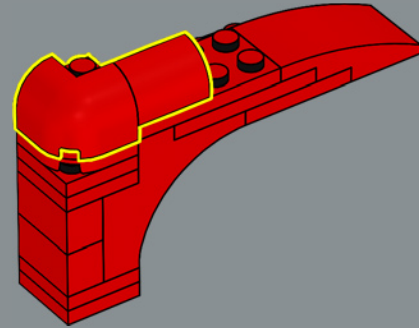




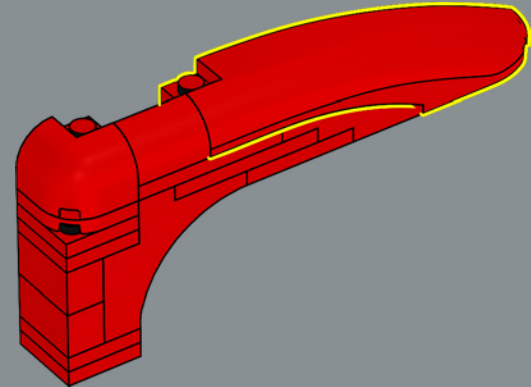
78

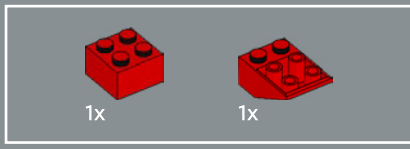


79

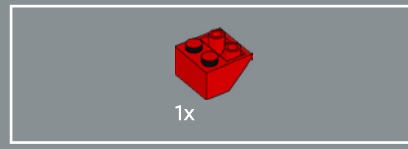
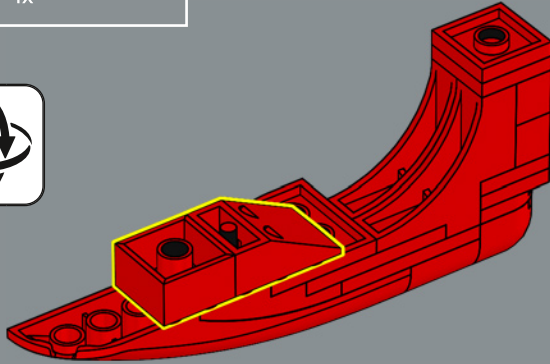


80

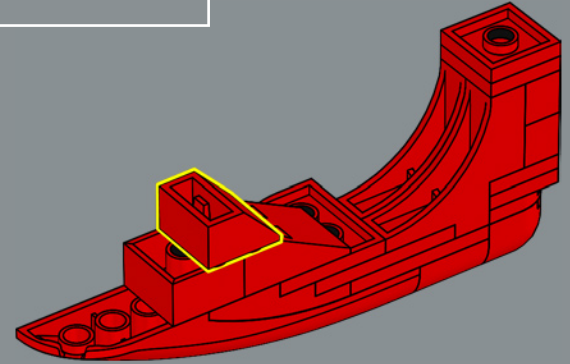




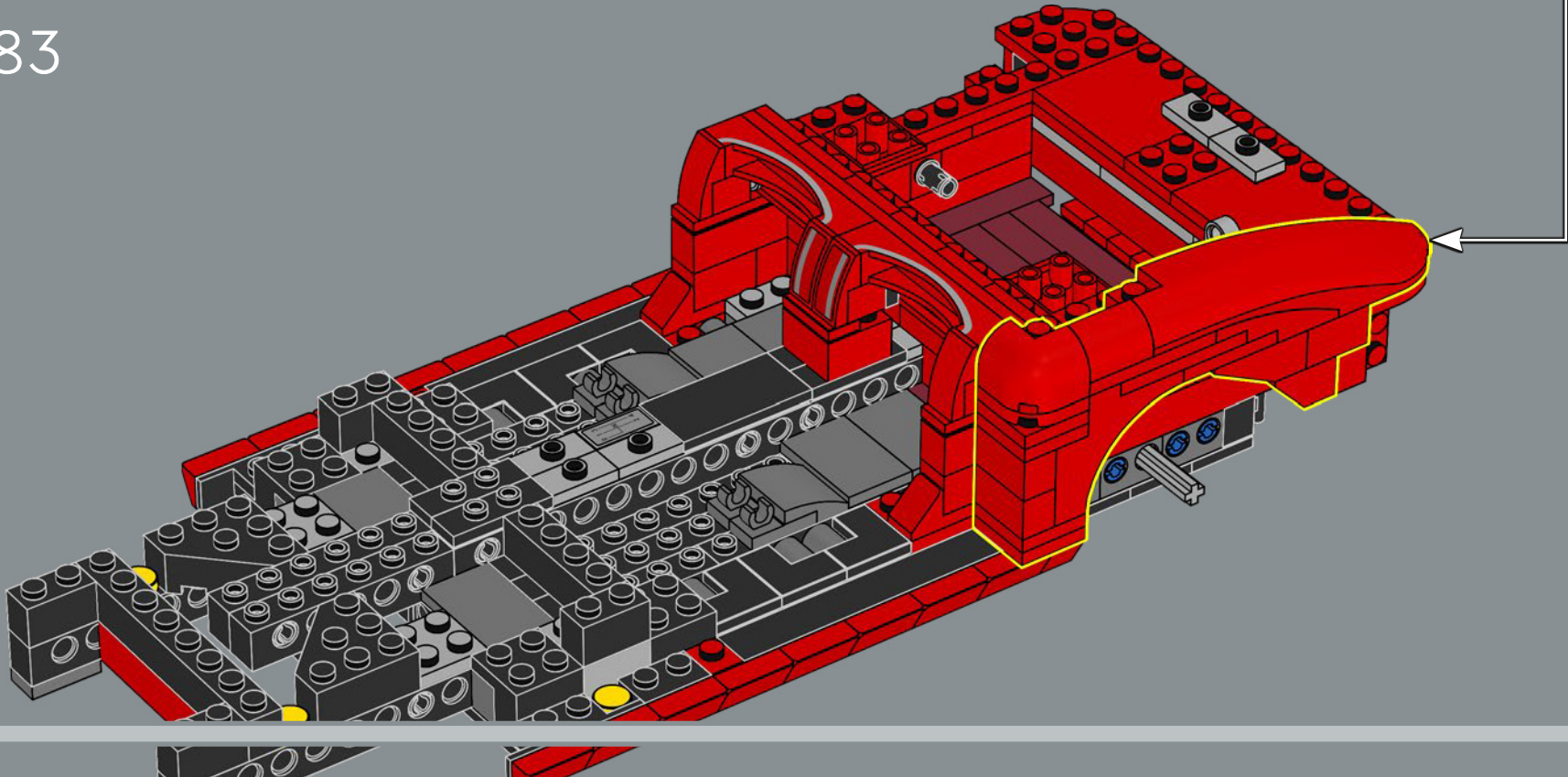
81

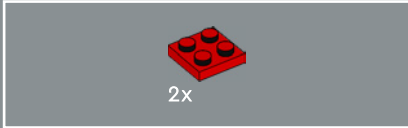
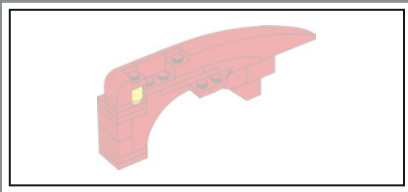


82

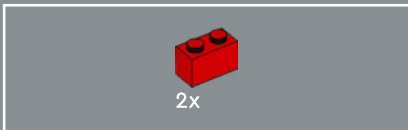
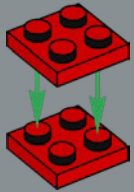


83

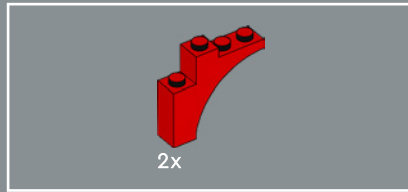
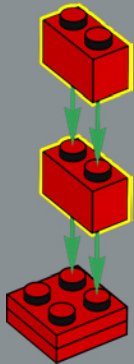




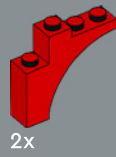
84



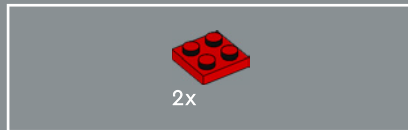
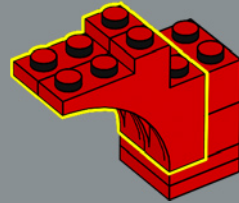
85



86



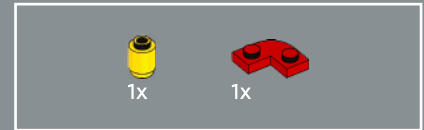
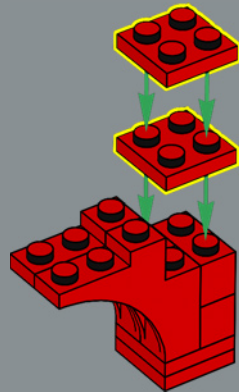
2x



87



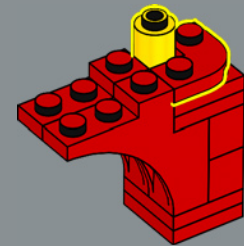
2x

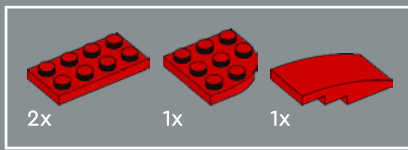


1x

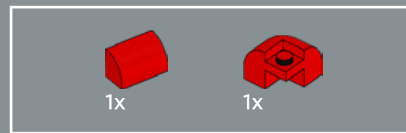
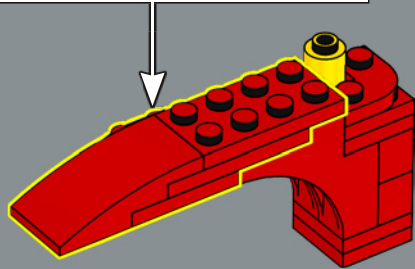
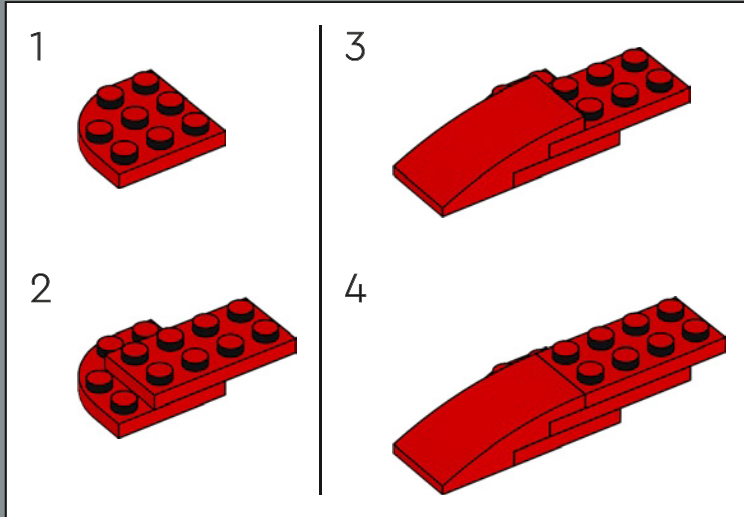
1x

88

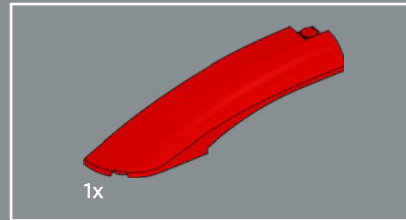
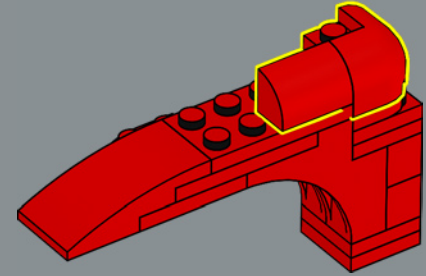




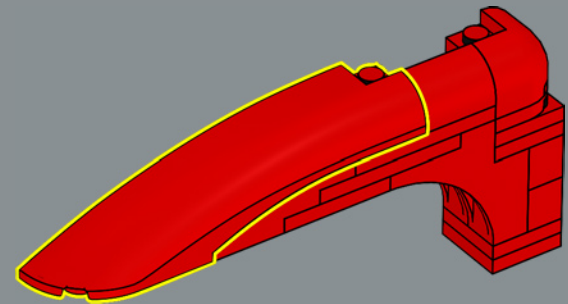
89

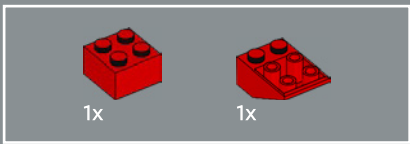


90

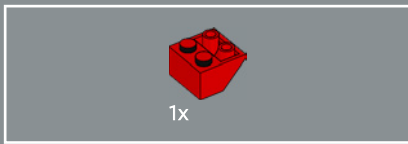
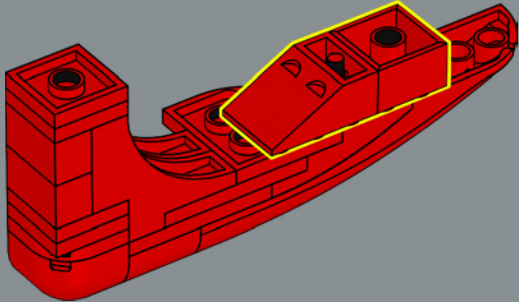


91

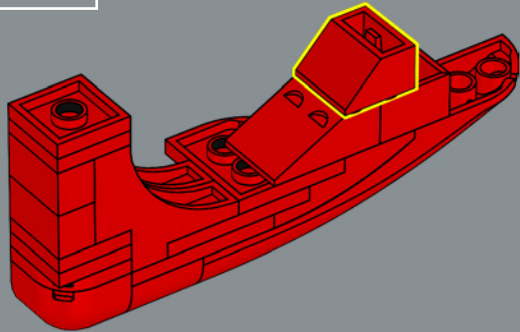




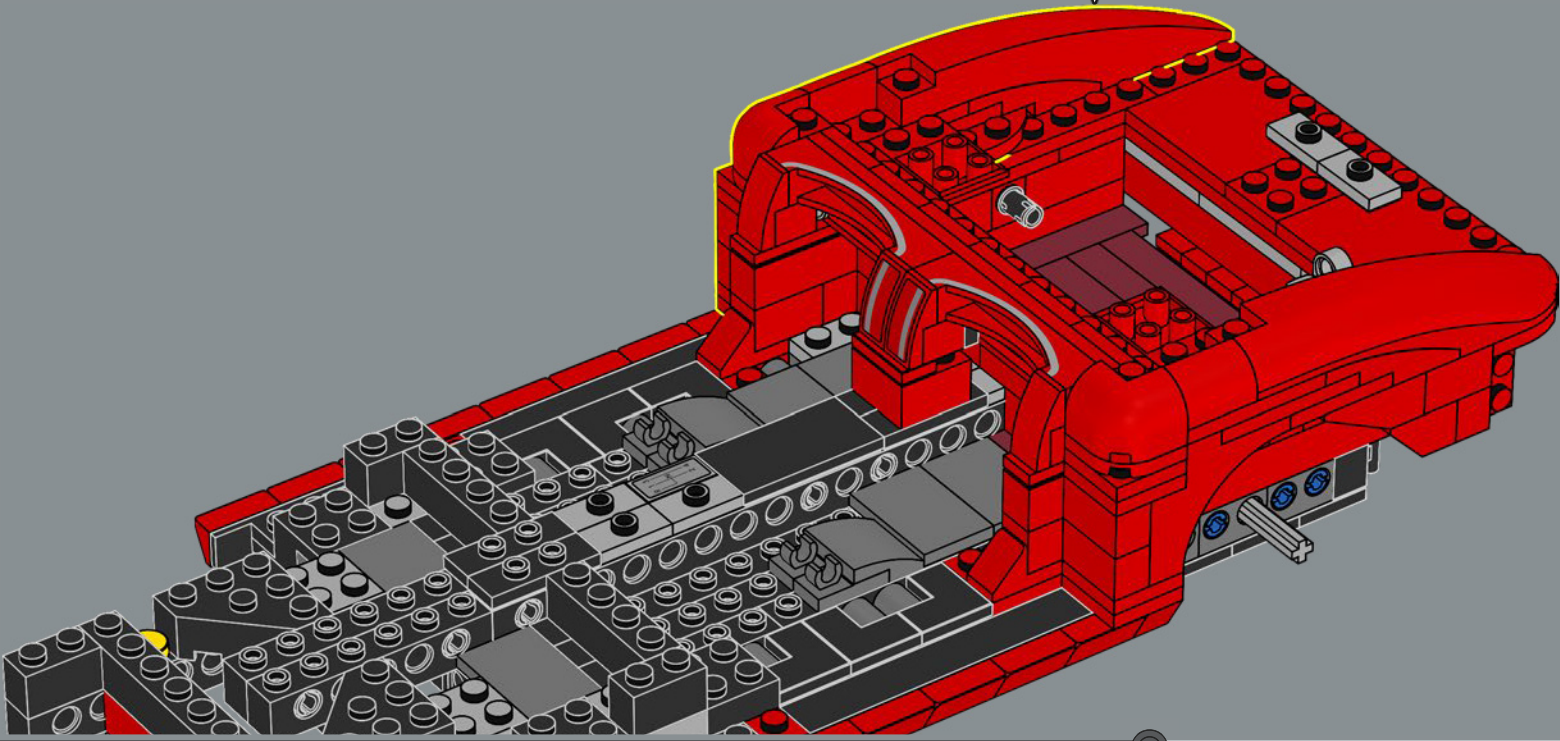
92

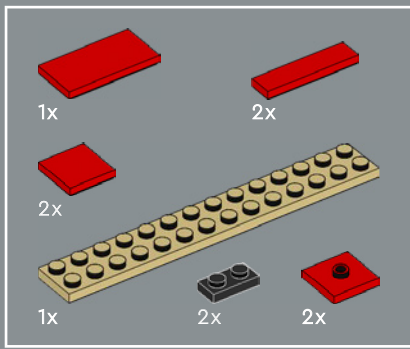


93

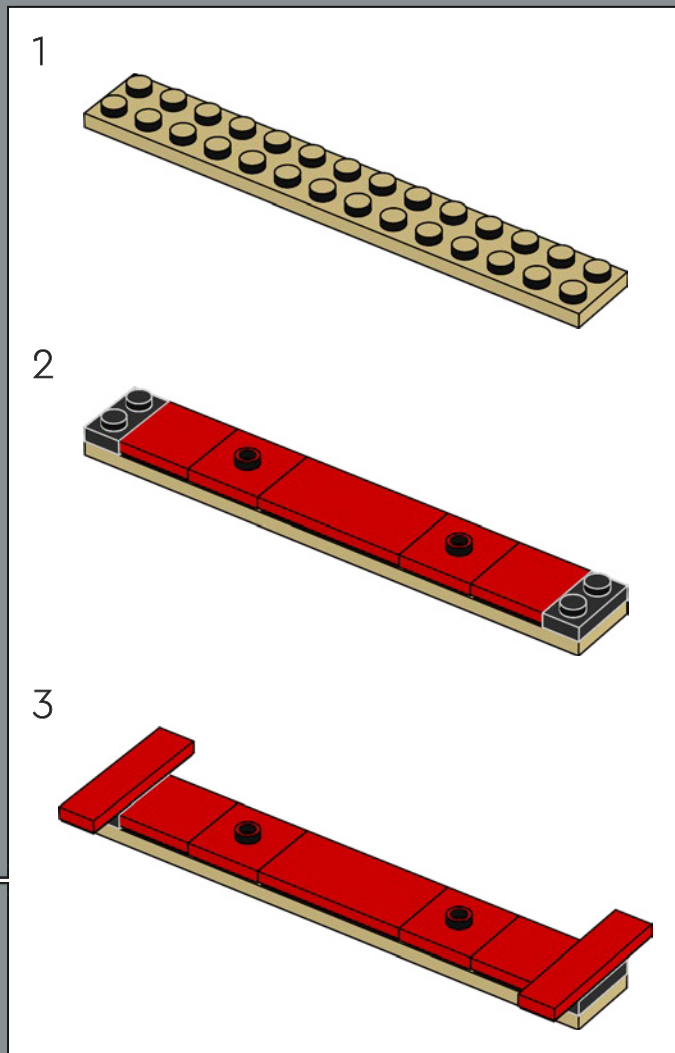
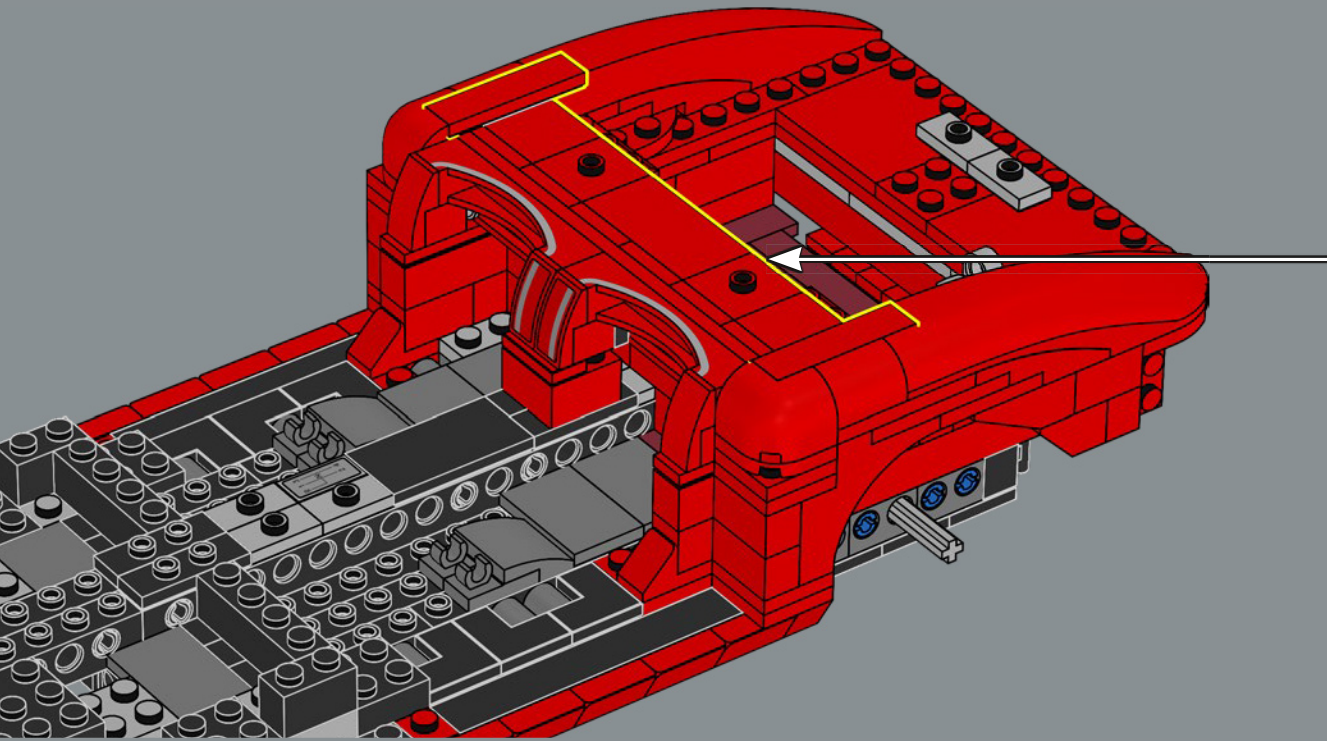


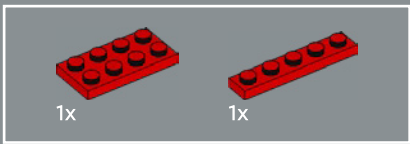
94



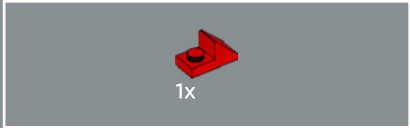
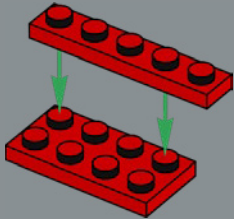


95

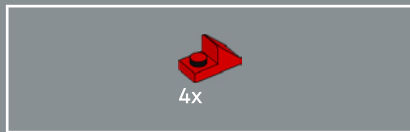
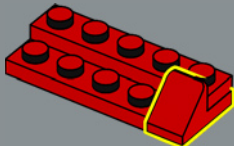




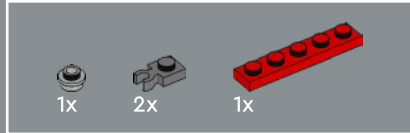
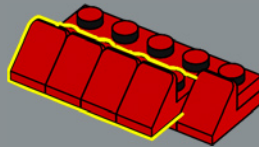
96



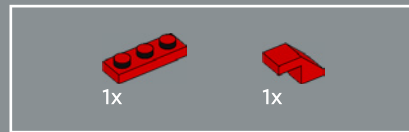
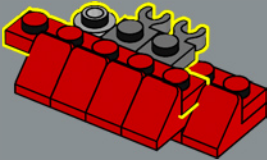
97



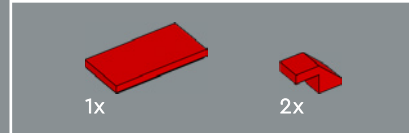
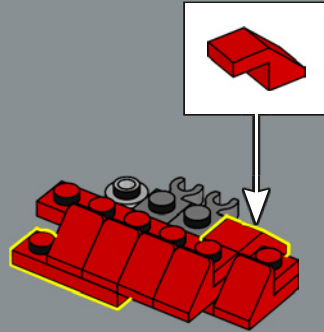
98



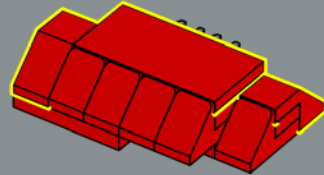
99



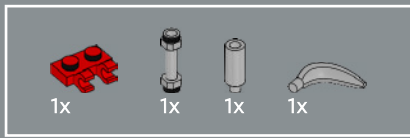
100



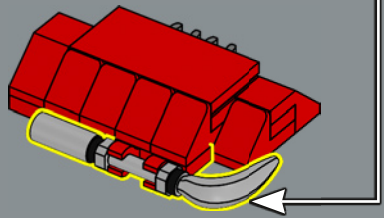
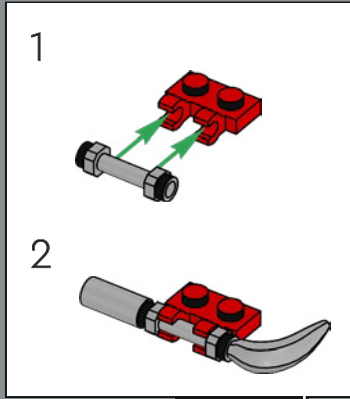
101



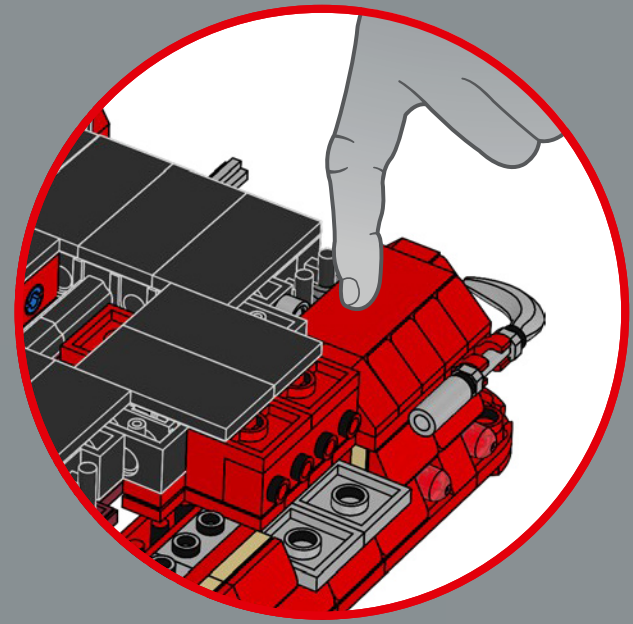
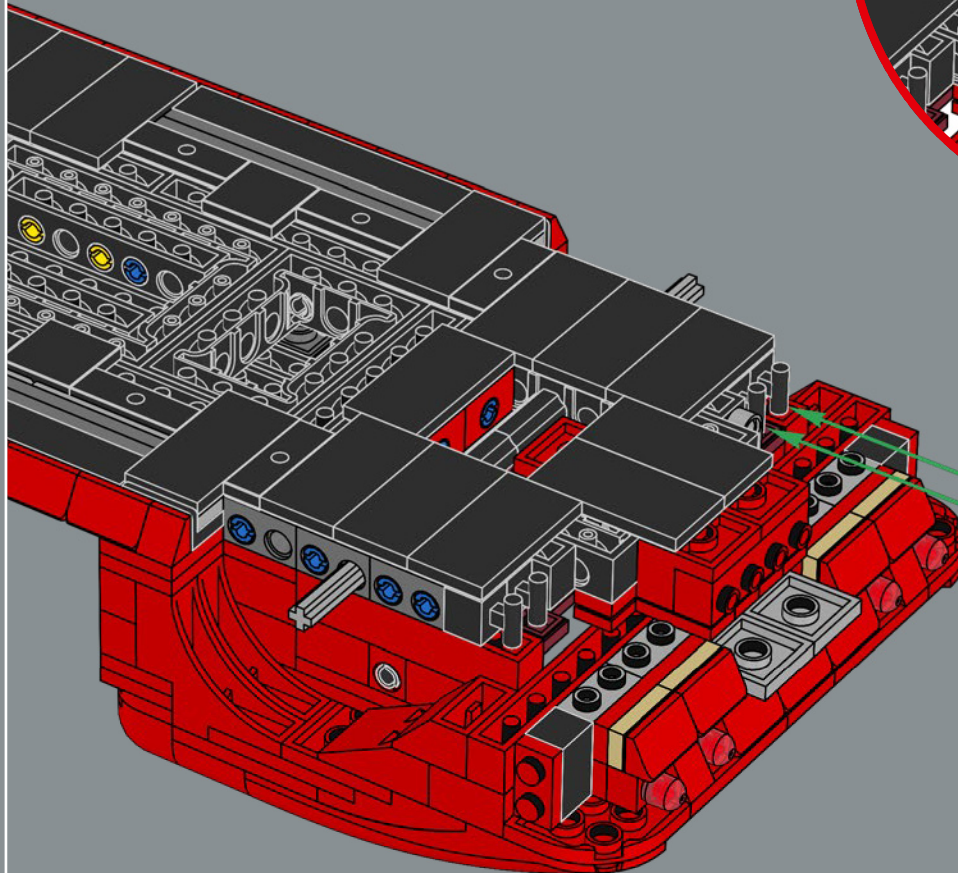


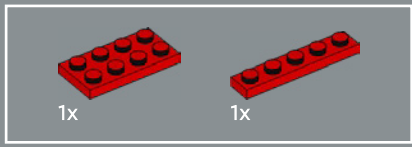


102

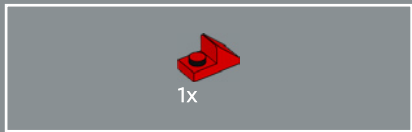
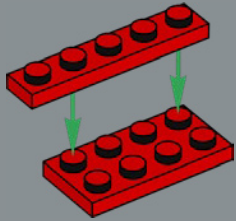


103

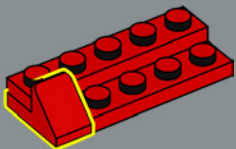




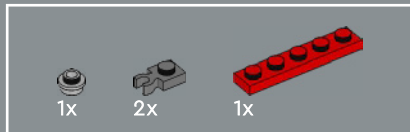
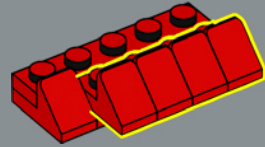
104



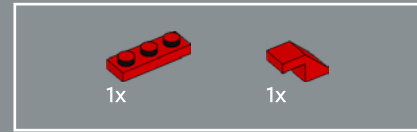
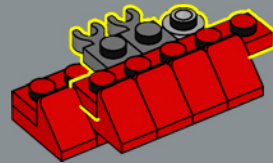
105



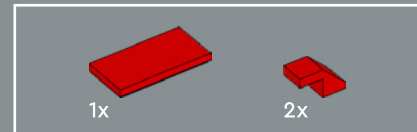
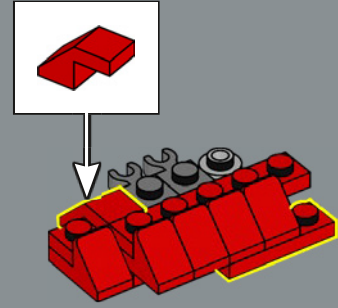
106



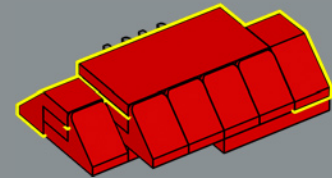
107

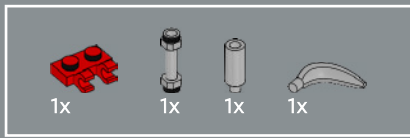


108

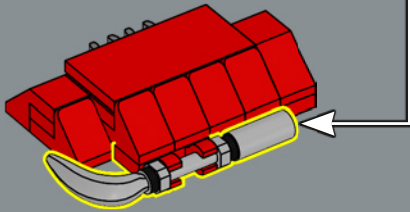
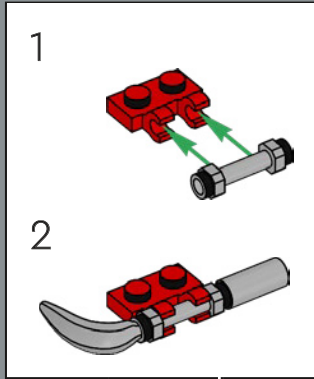


109

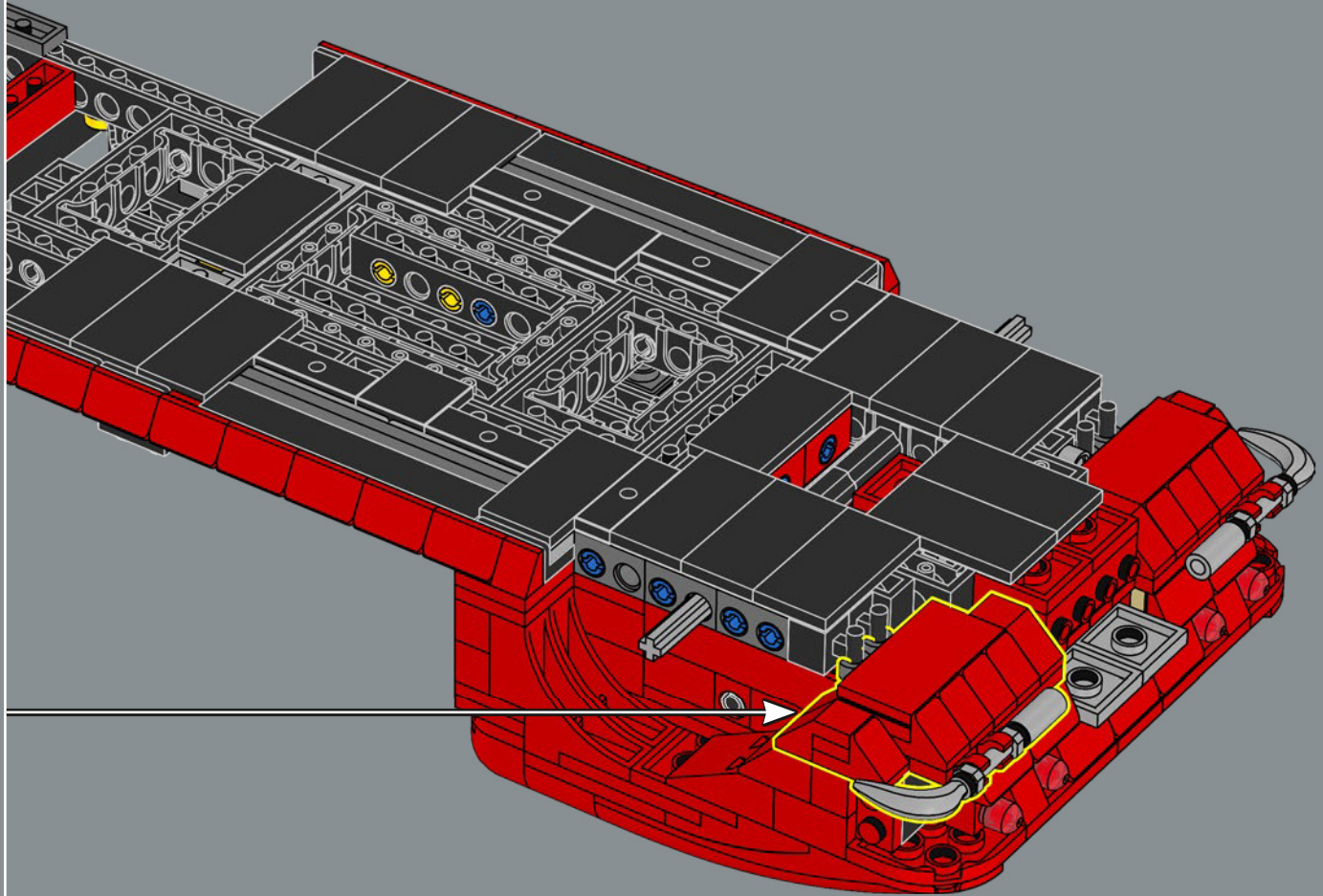


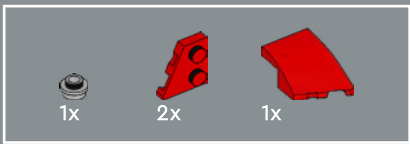


110

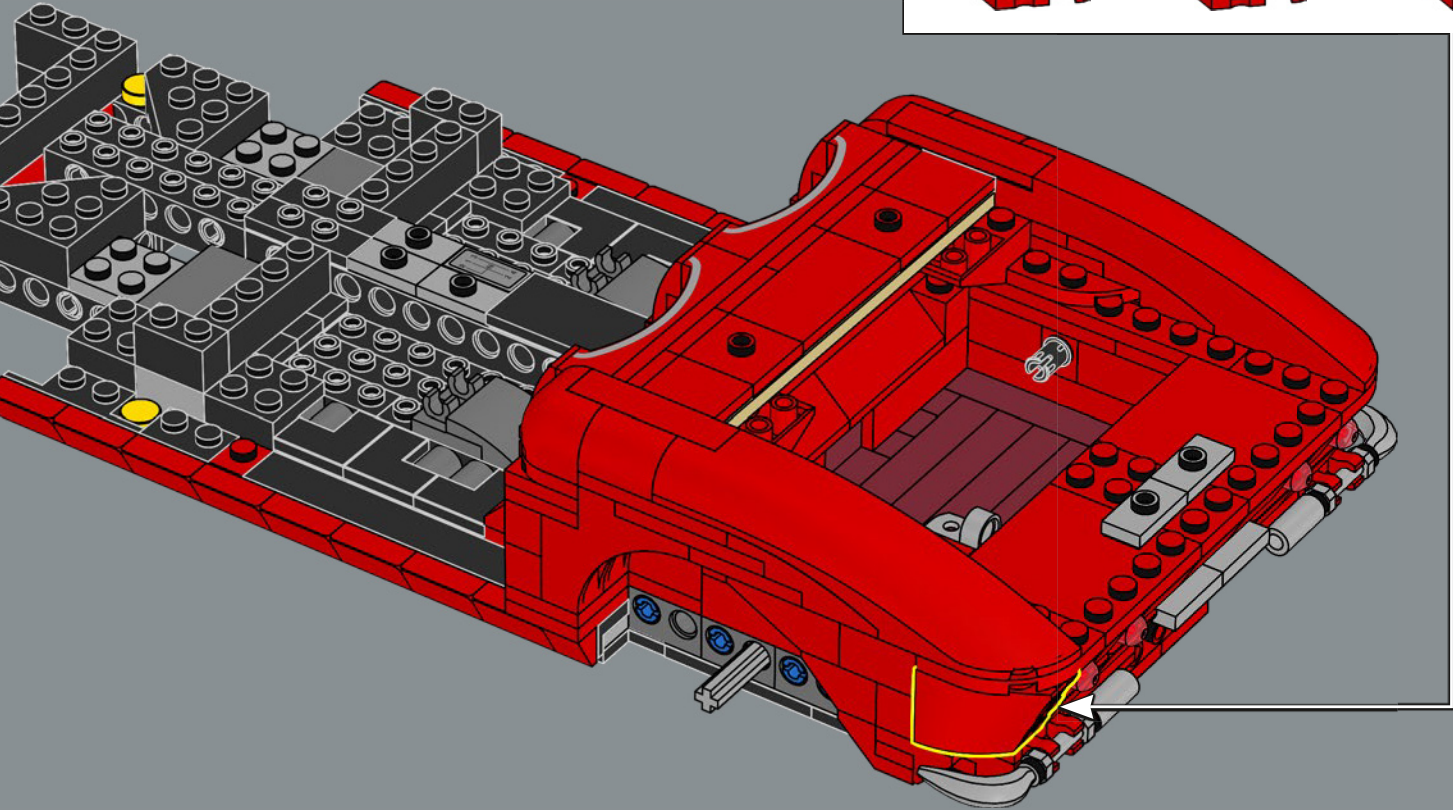
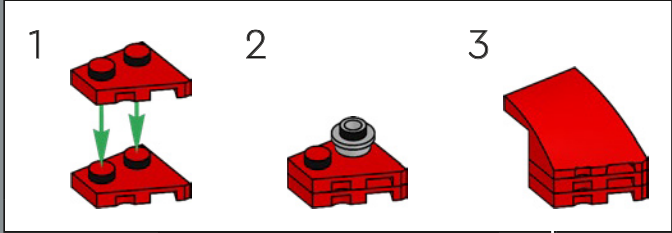


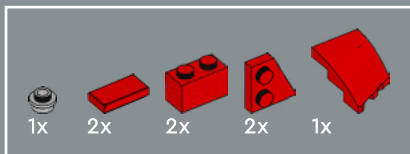
111



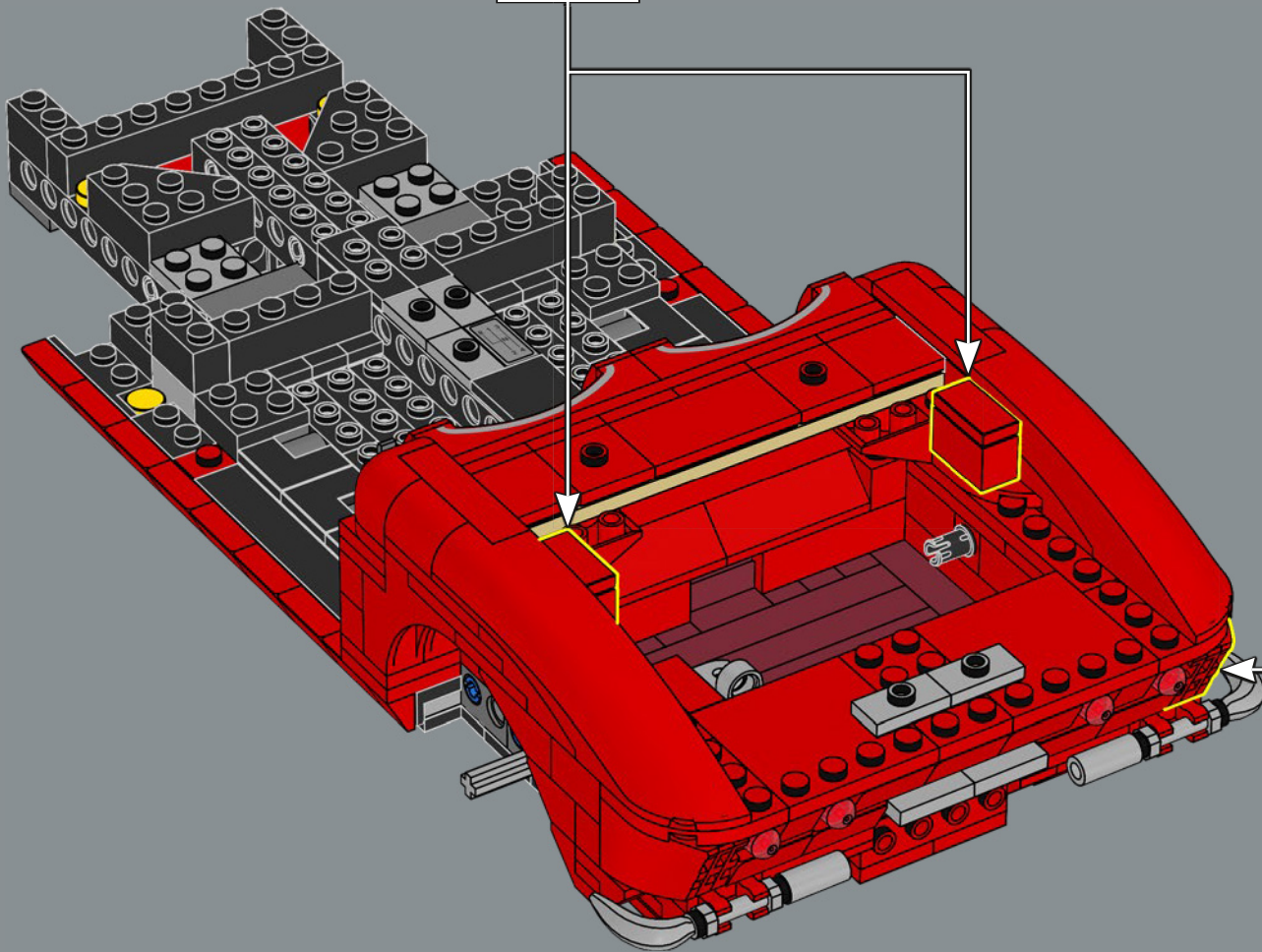
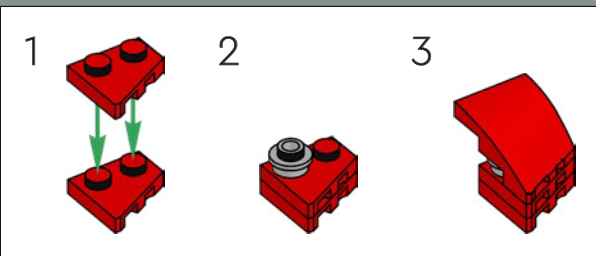
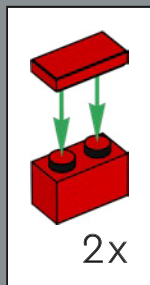


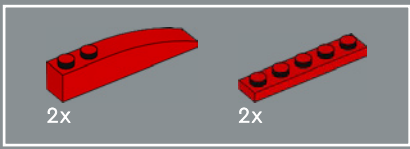
112



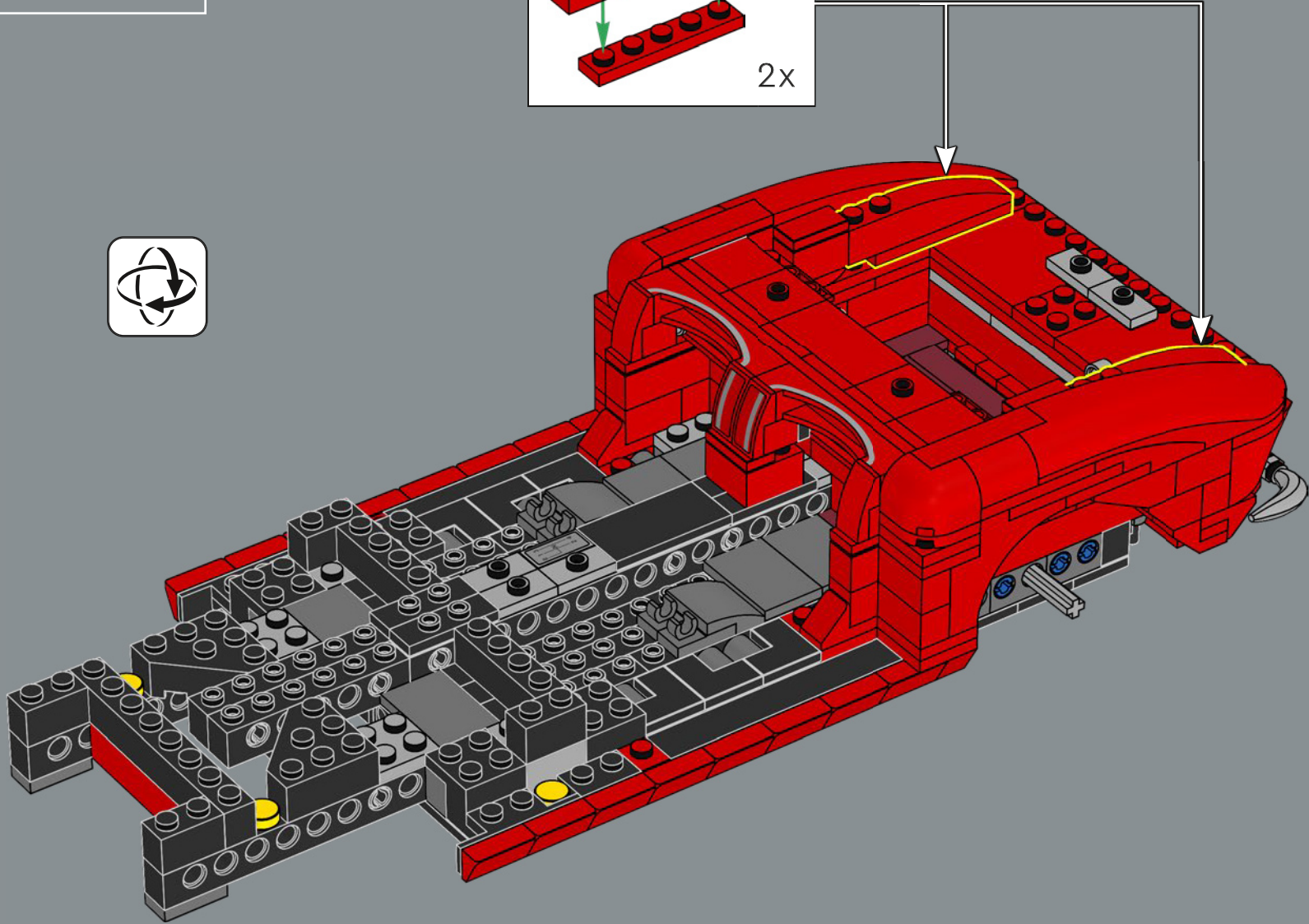
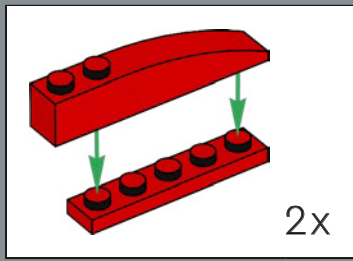


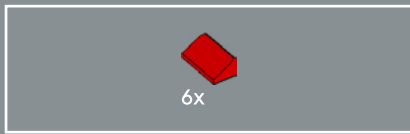
113



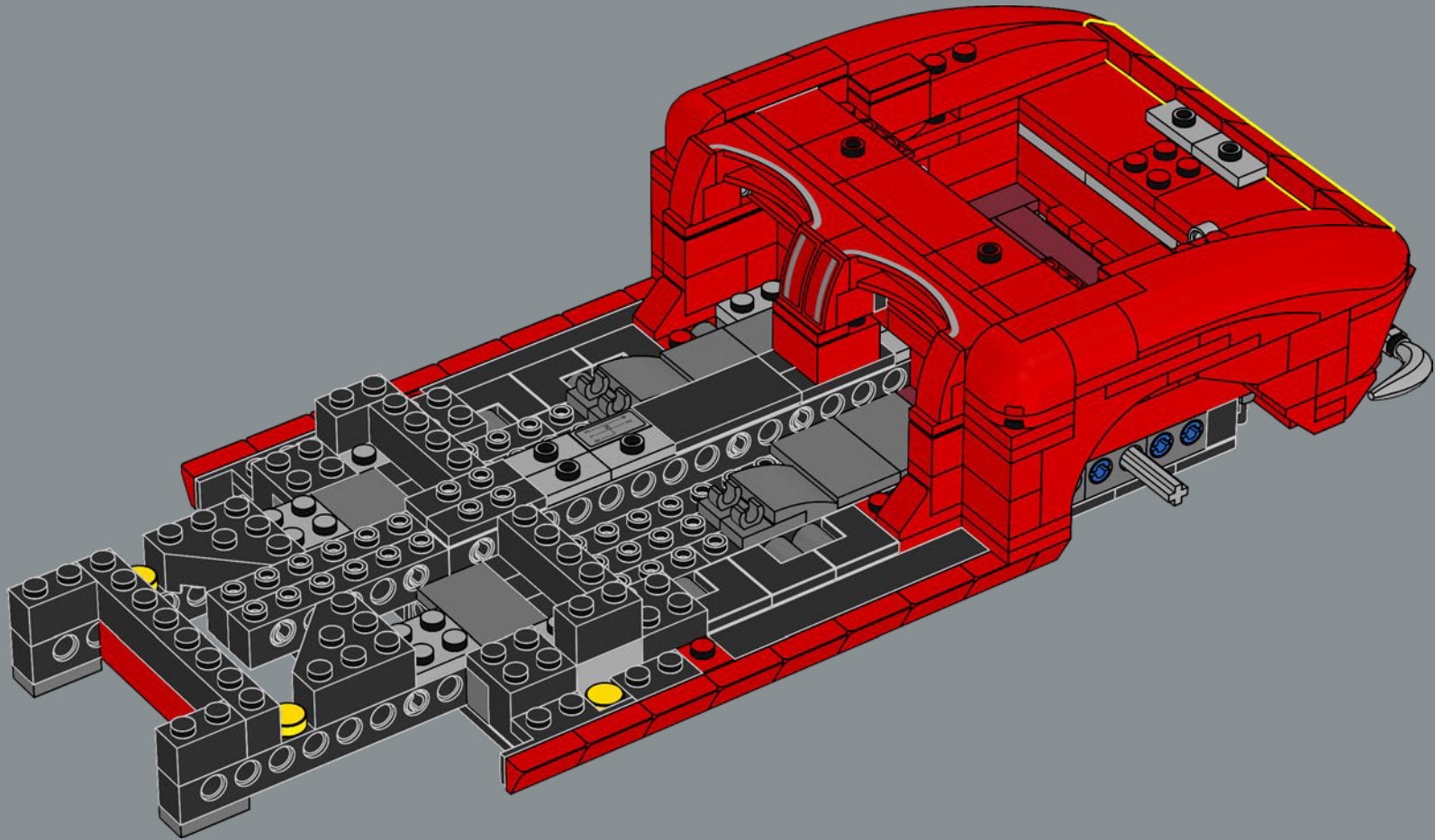


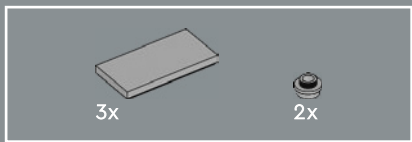
114





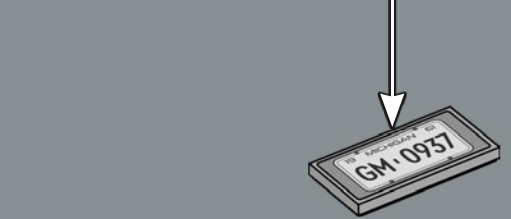
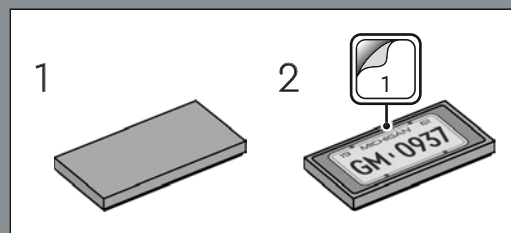
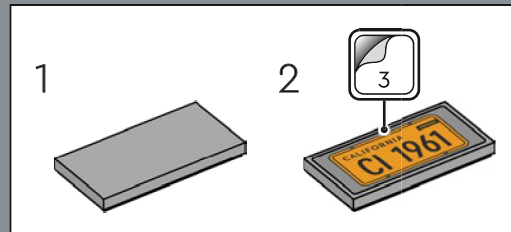
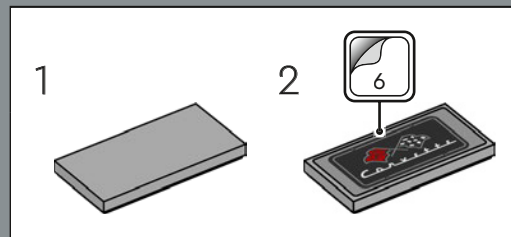
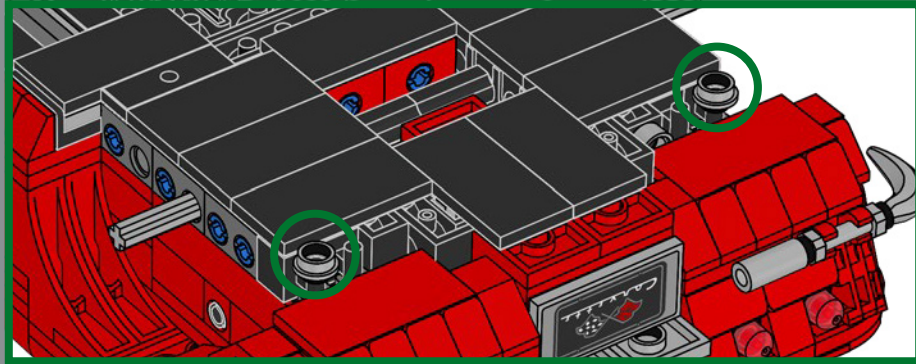
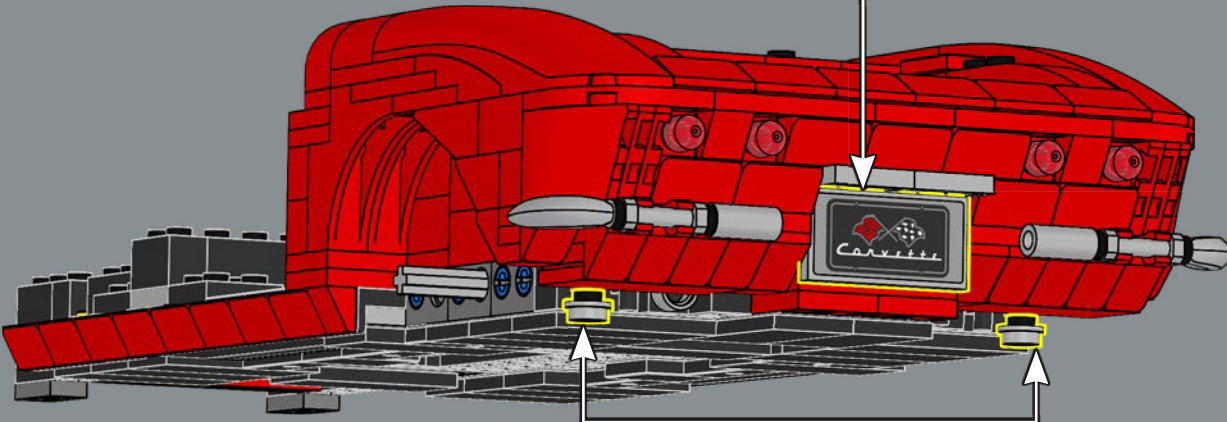
115



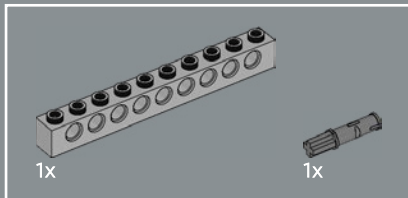
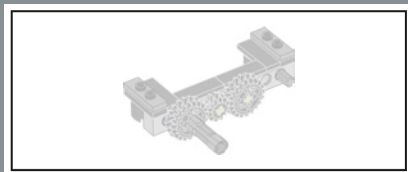


当你把密歇根车牌倒过来时，四个数字 0937 就会变成“乐高”。

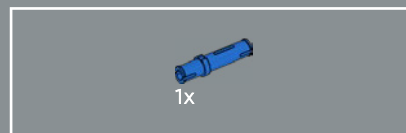
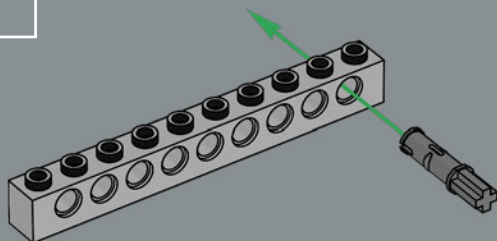
116



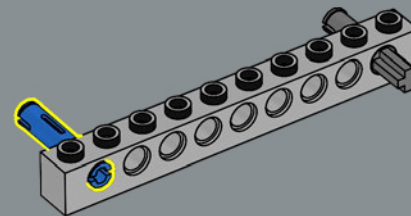




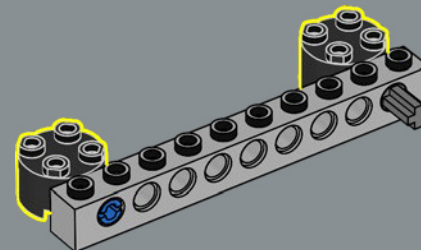
117

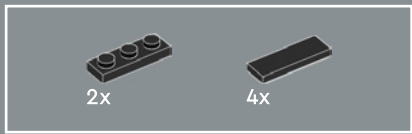


118

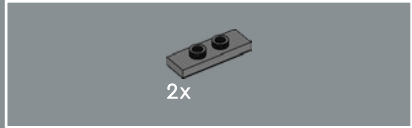
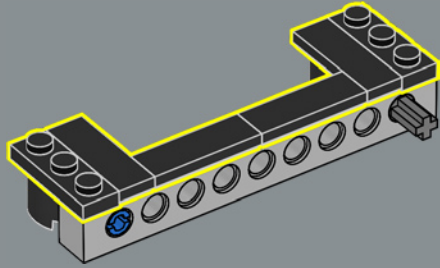


119

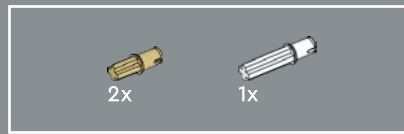
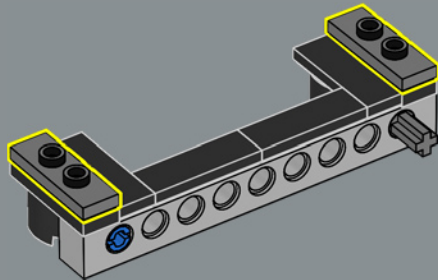




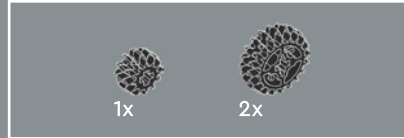
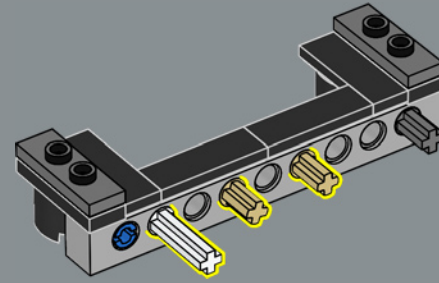
120



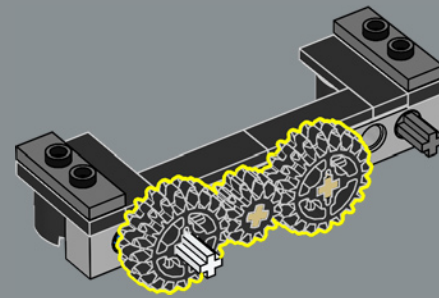
121

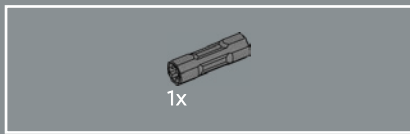


122

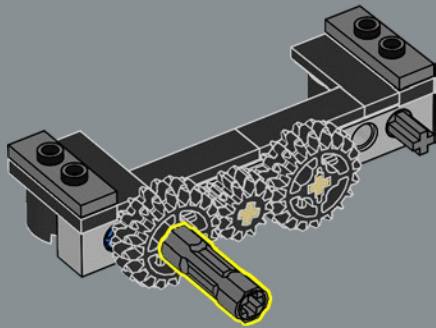


123

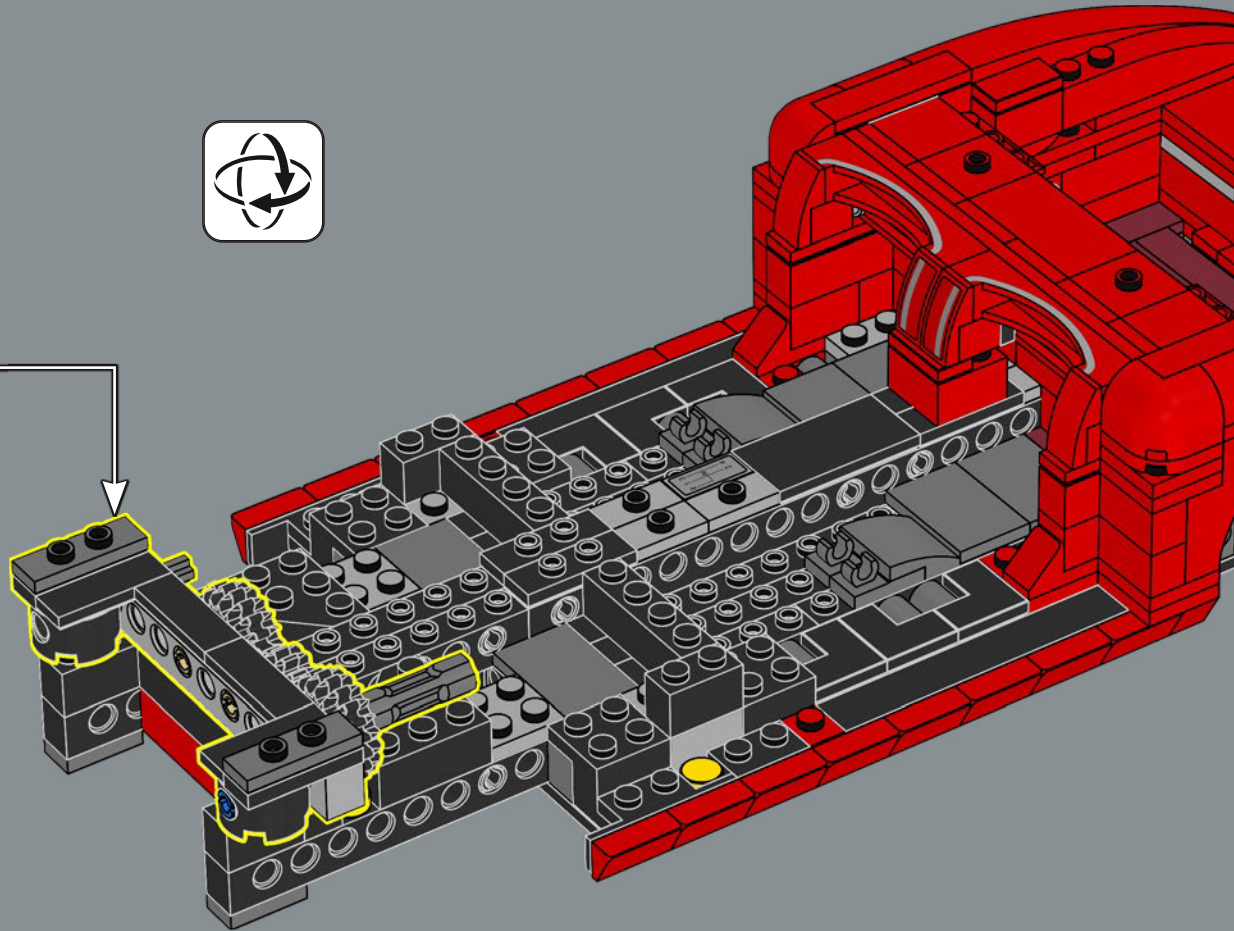


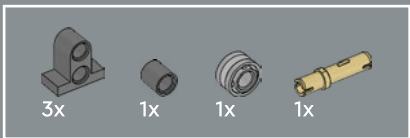


124

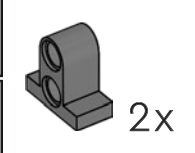
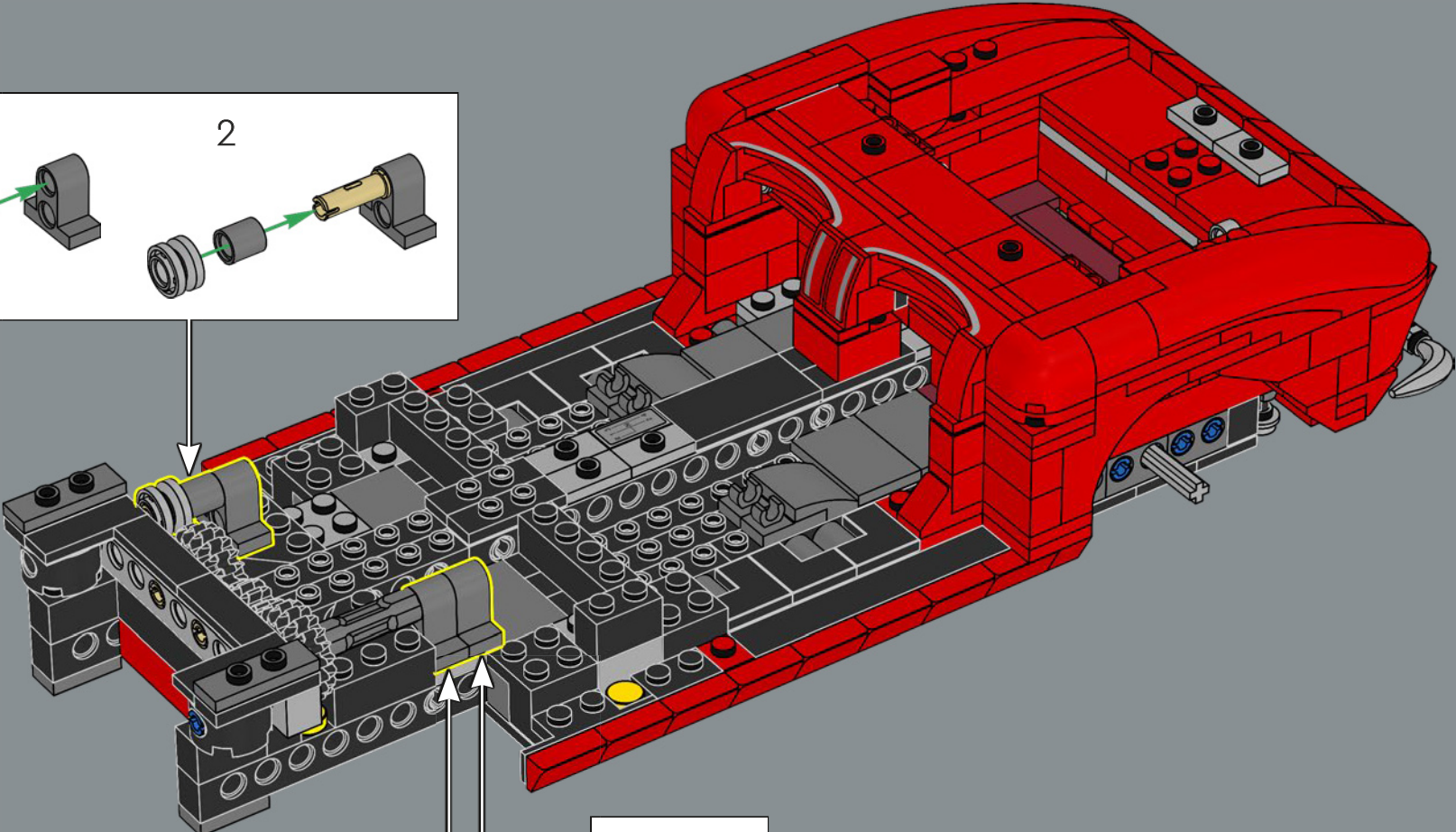
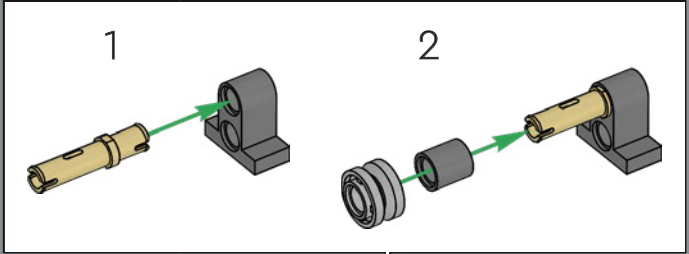


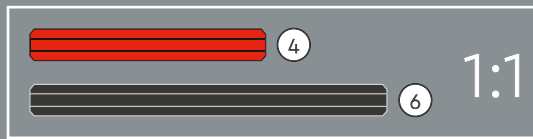
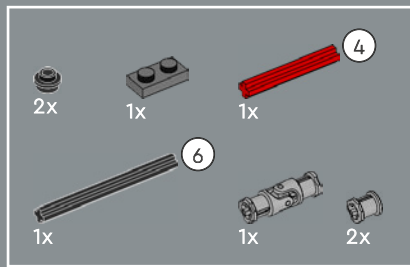
125



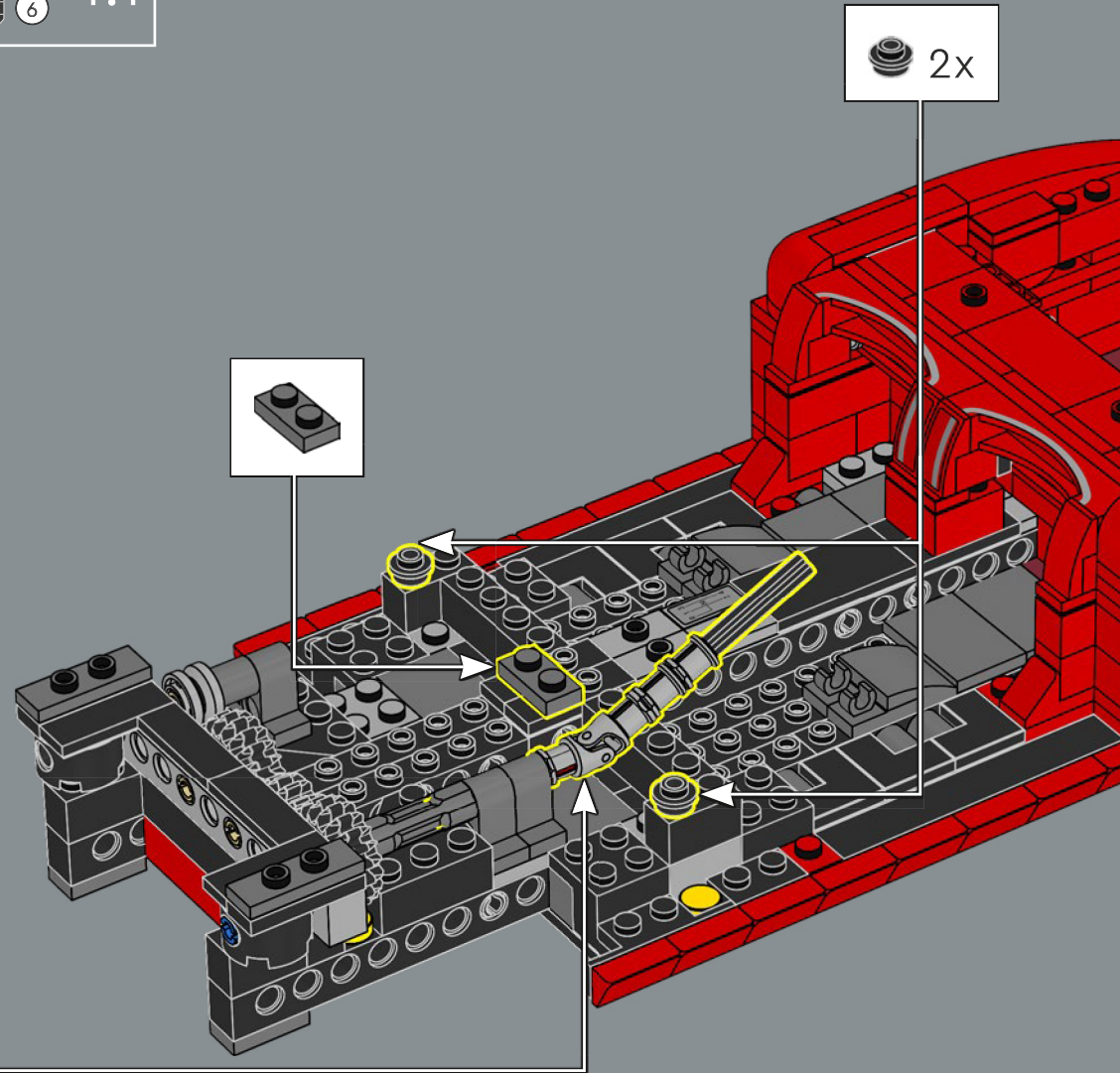
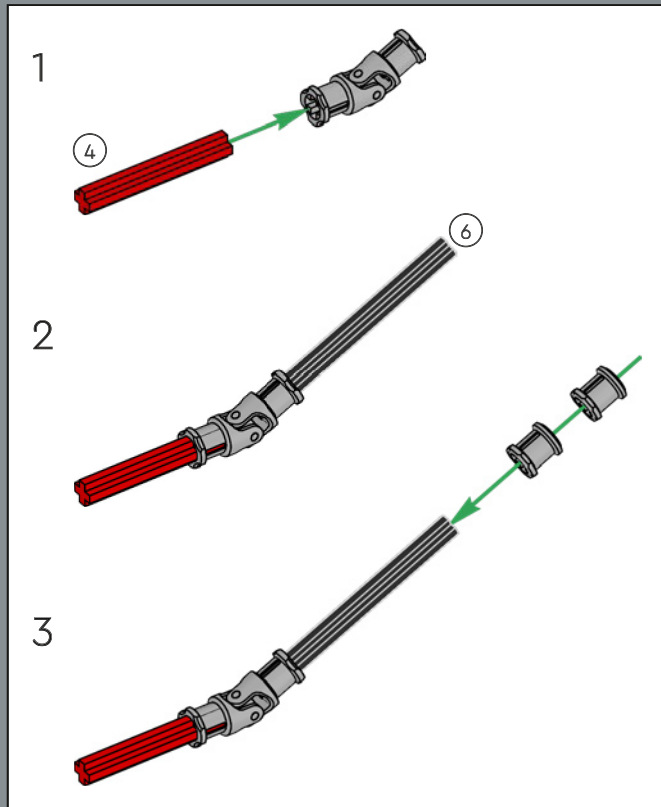


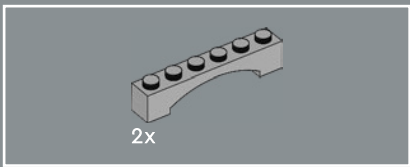
126



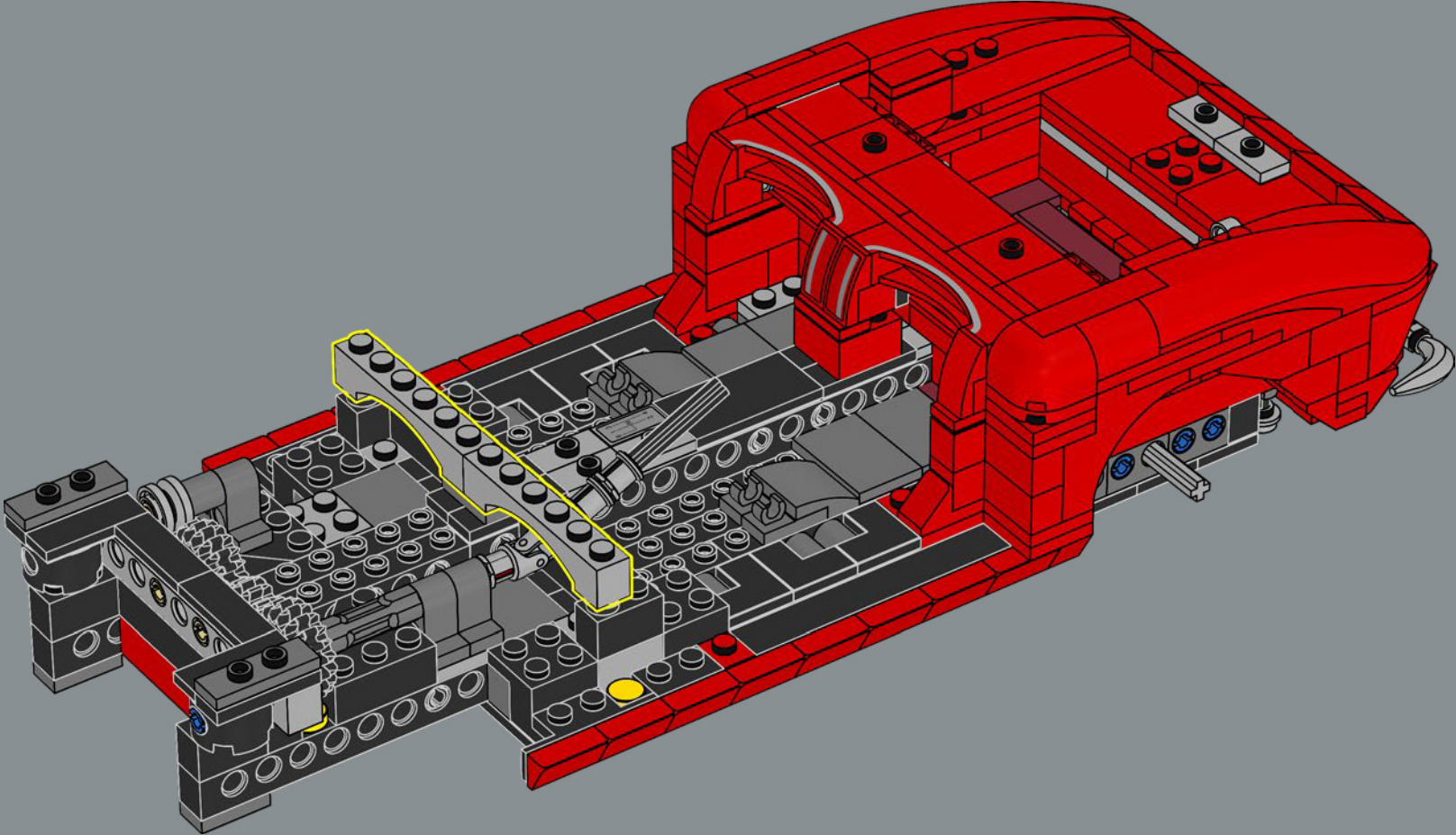


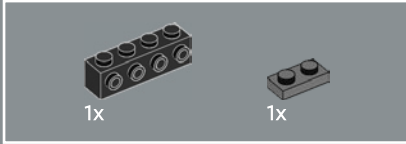
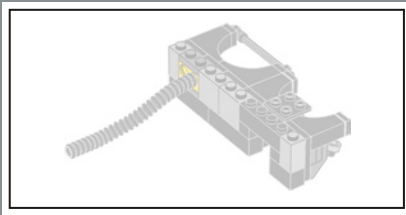
127



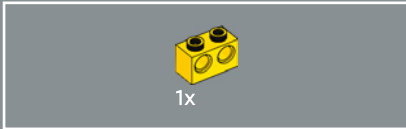
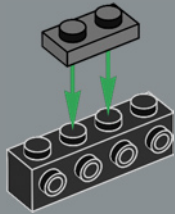


128

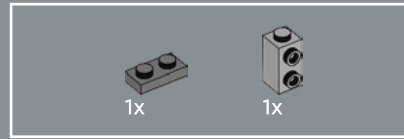
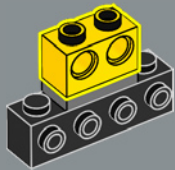




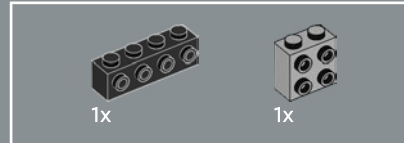
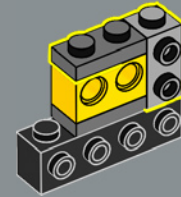
129



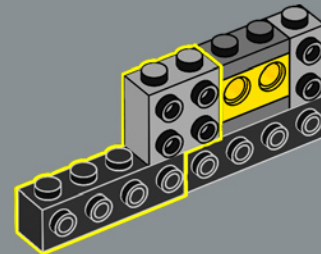
130

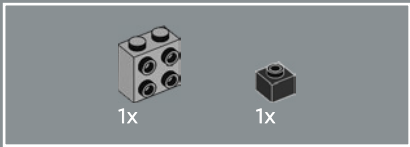


131

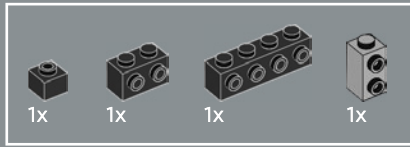
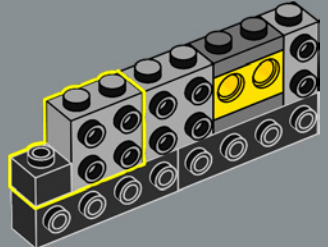


132

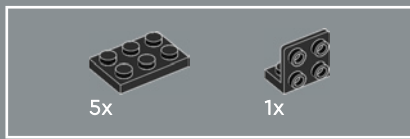
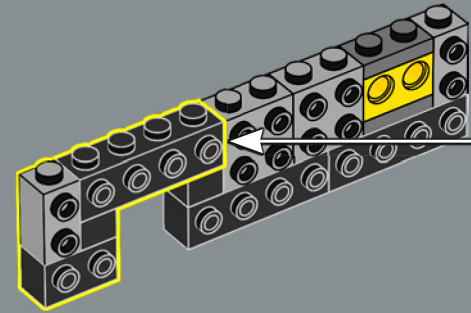
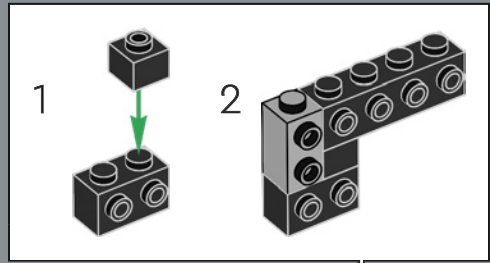




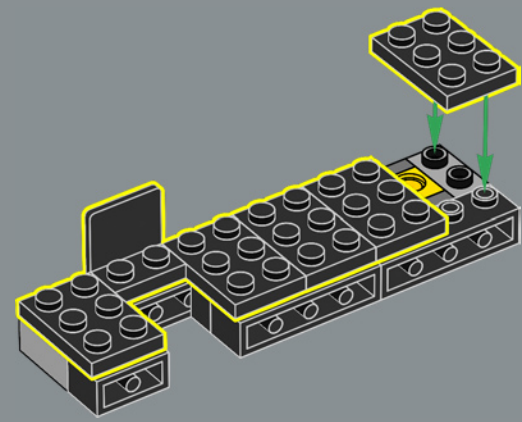
133



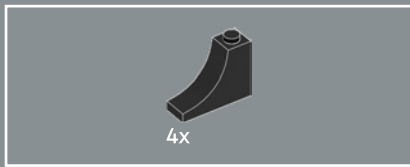
134



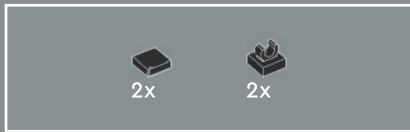
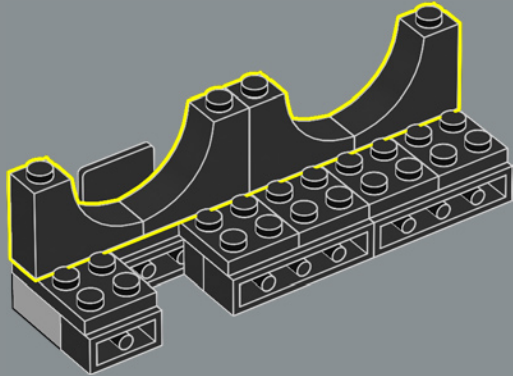
135



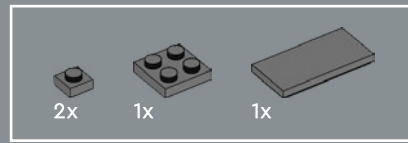
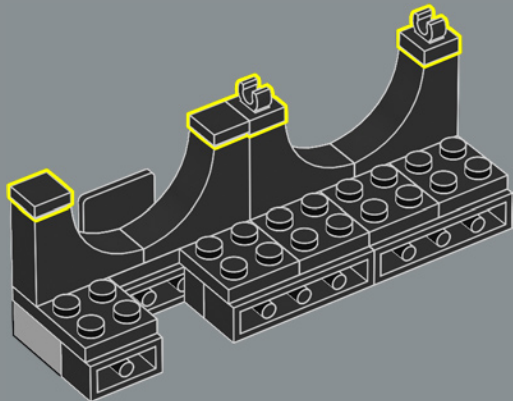




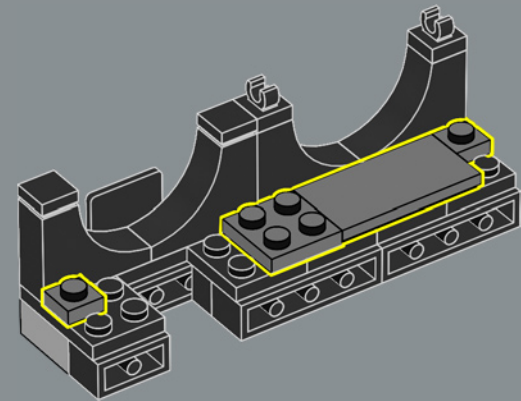
136

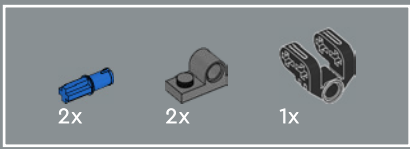


137

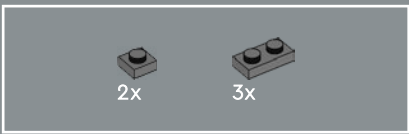
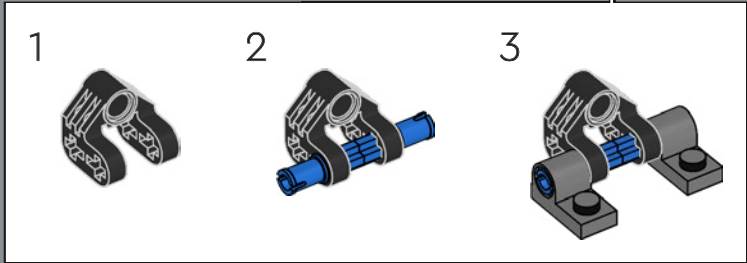
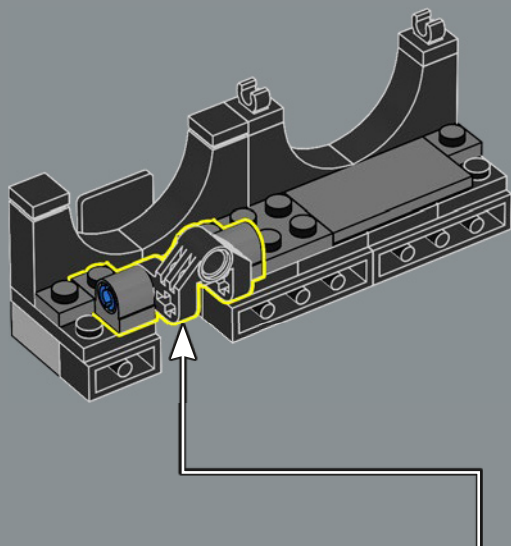


138

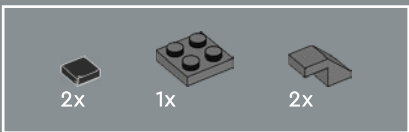
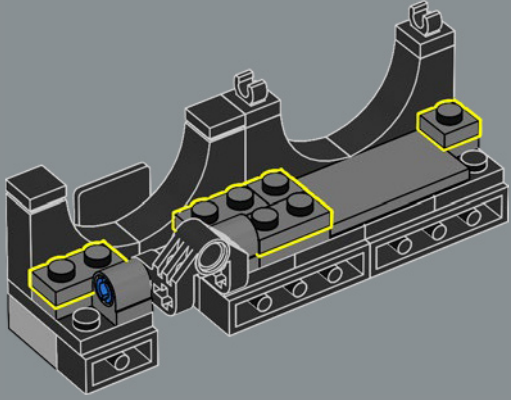




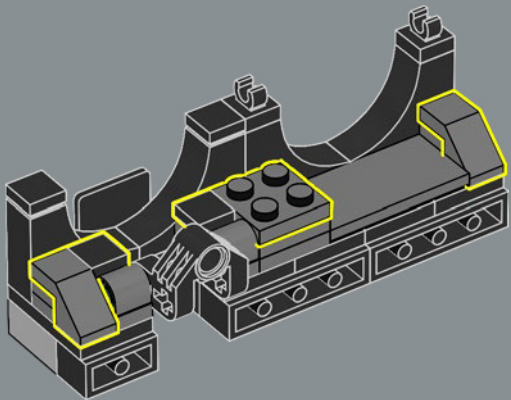
139

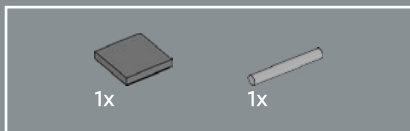


140

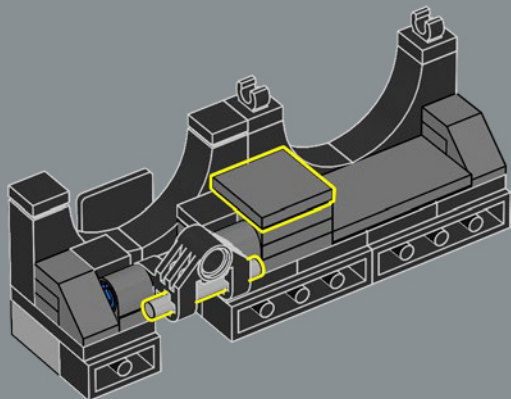


141

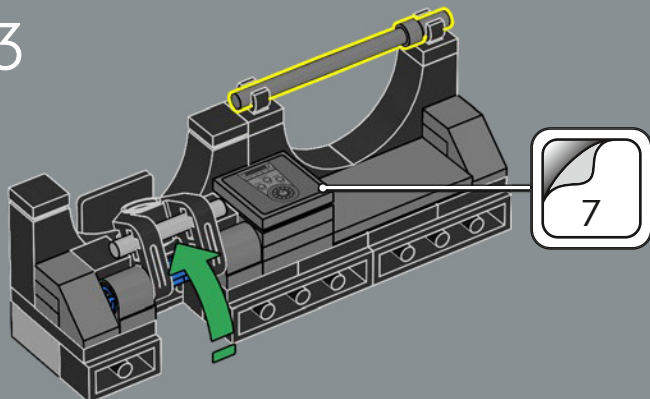




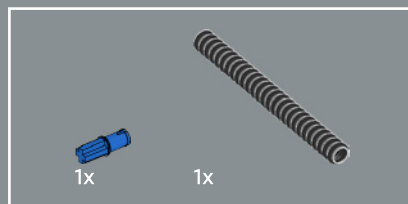
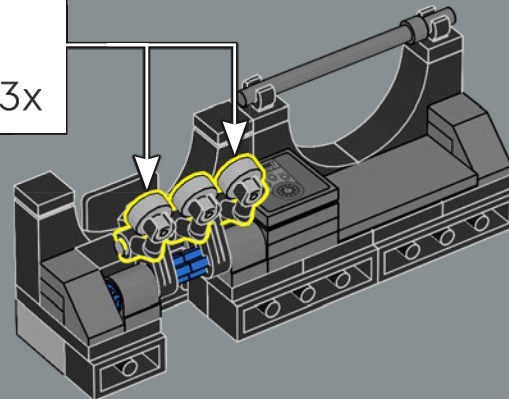
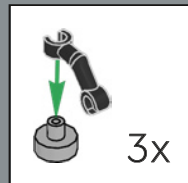
142



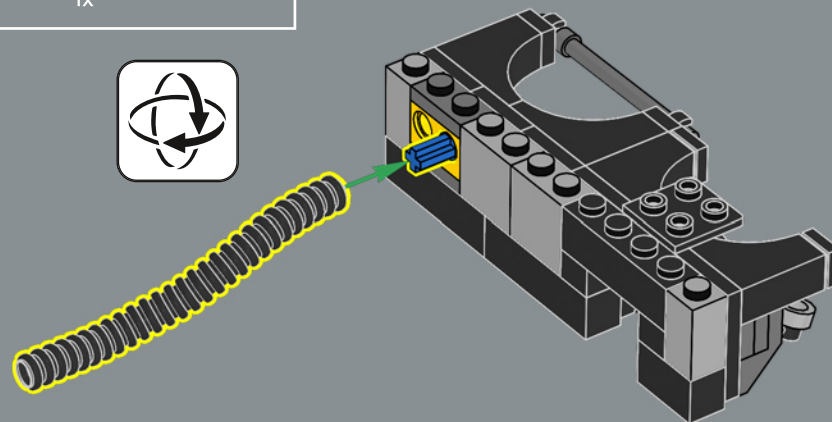
143



144



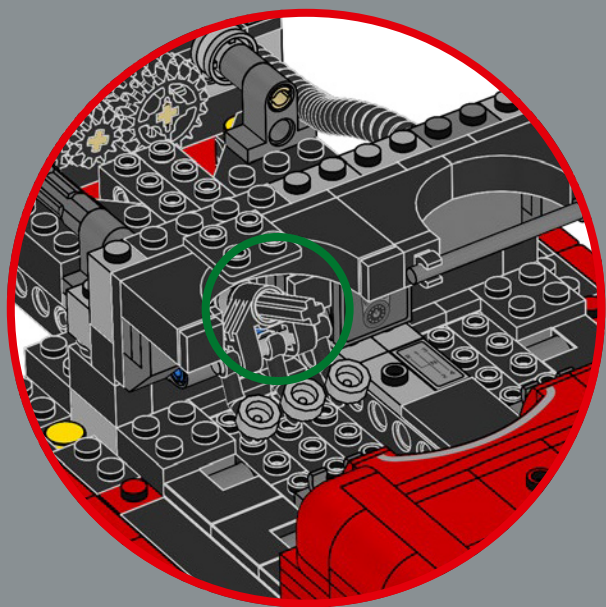
145



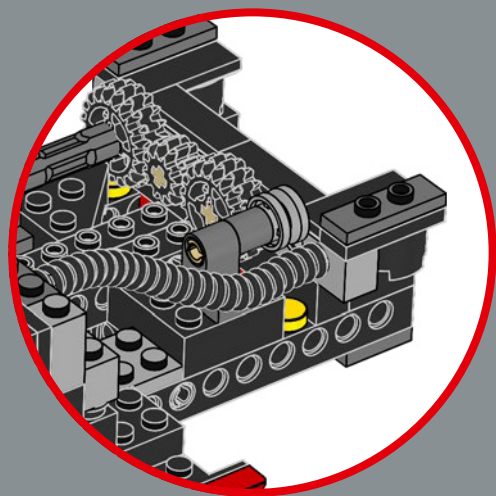
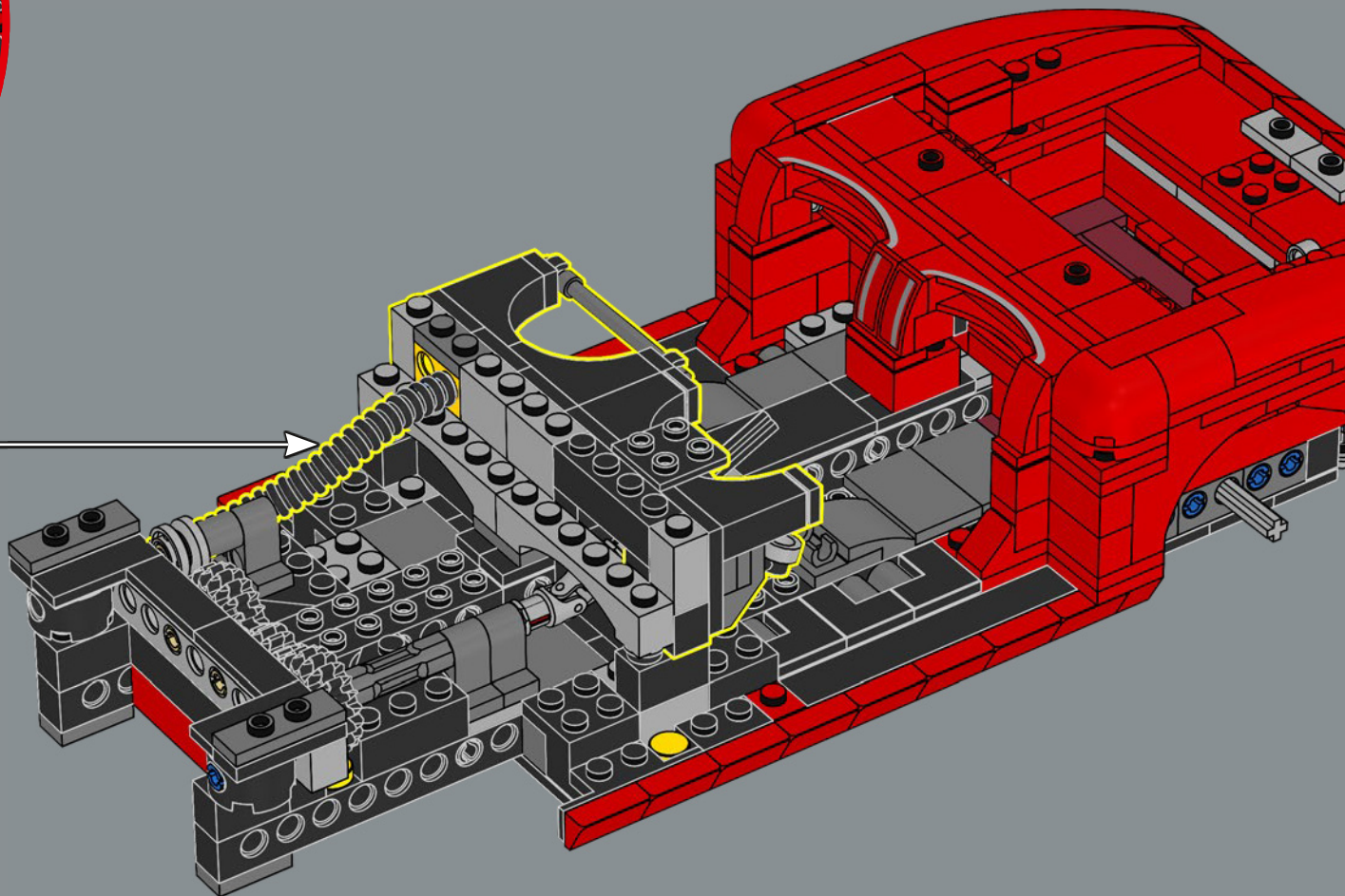
我们三个可以活动的踏板!

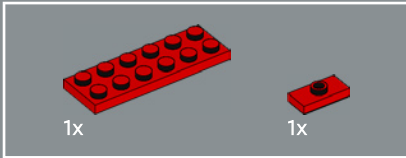
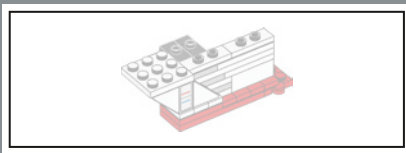


两个半拱形（标志性的 Corvette 设计细节）勾勒出仪表盘。

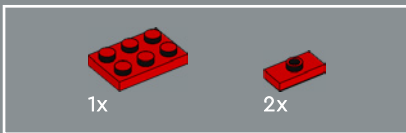
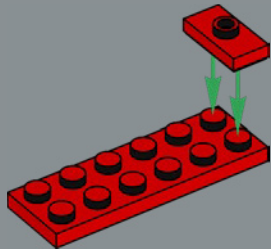


146

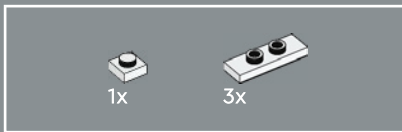
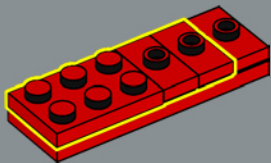




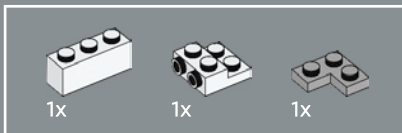
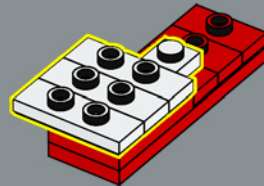
147



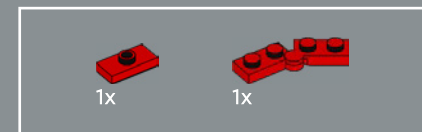
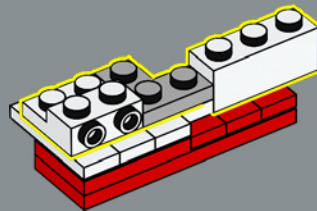
148



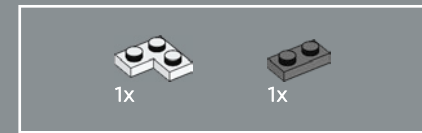
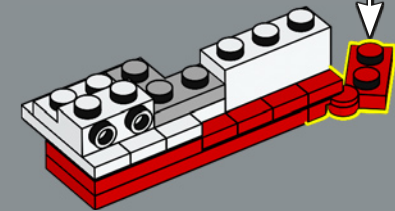
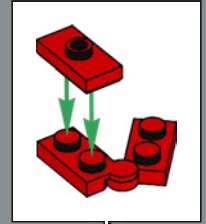
149



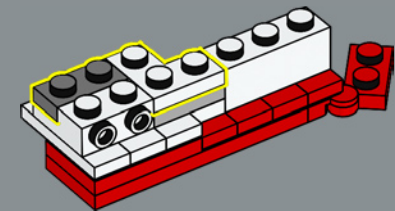
150

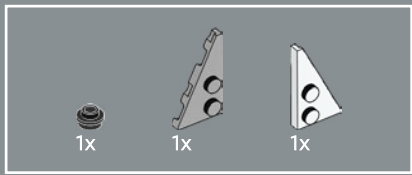


151

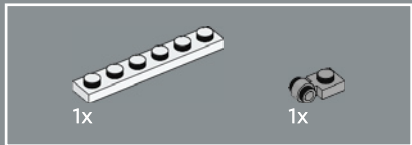
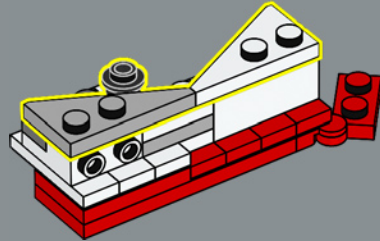


152

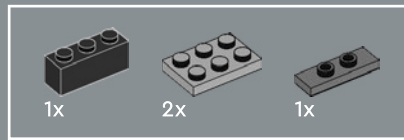
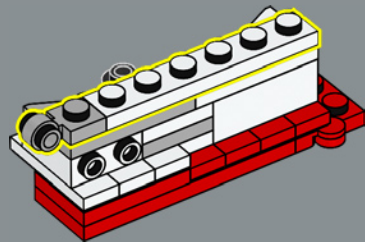




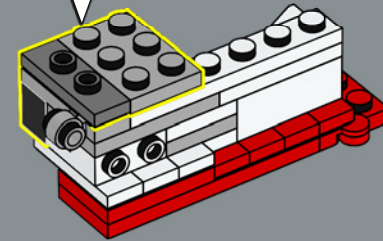
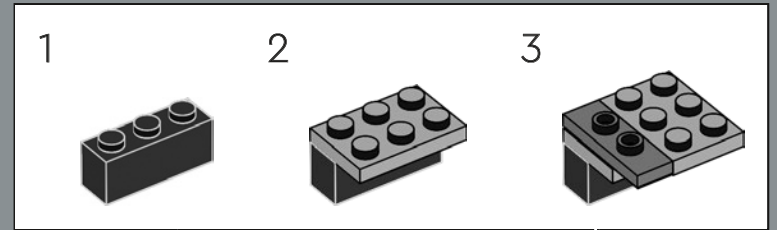
153



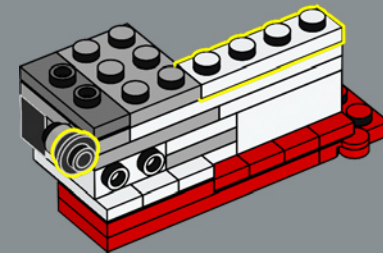
154

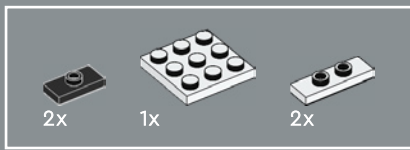


155

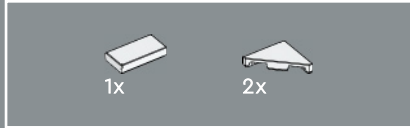
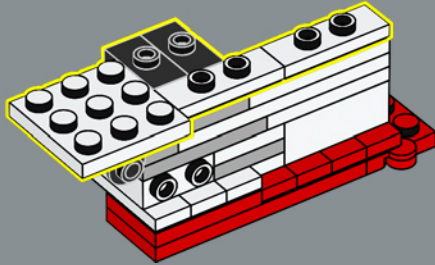


156

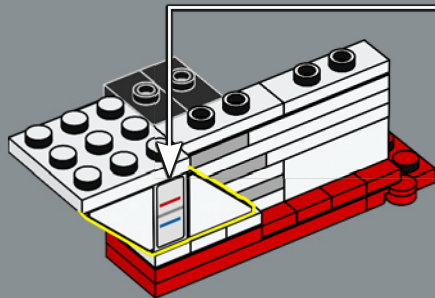
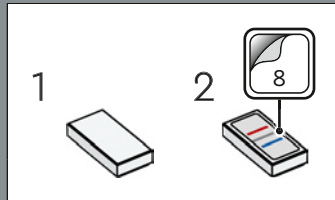




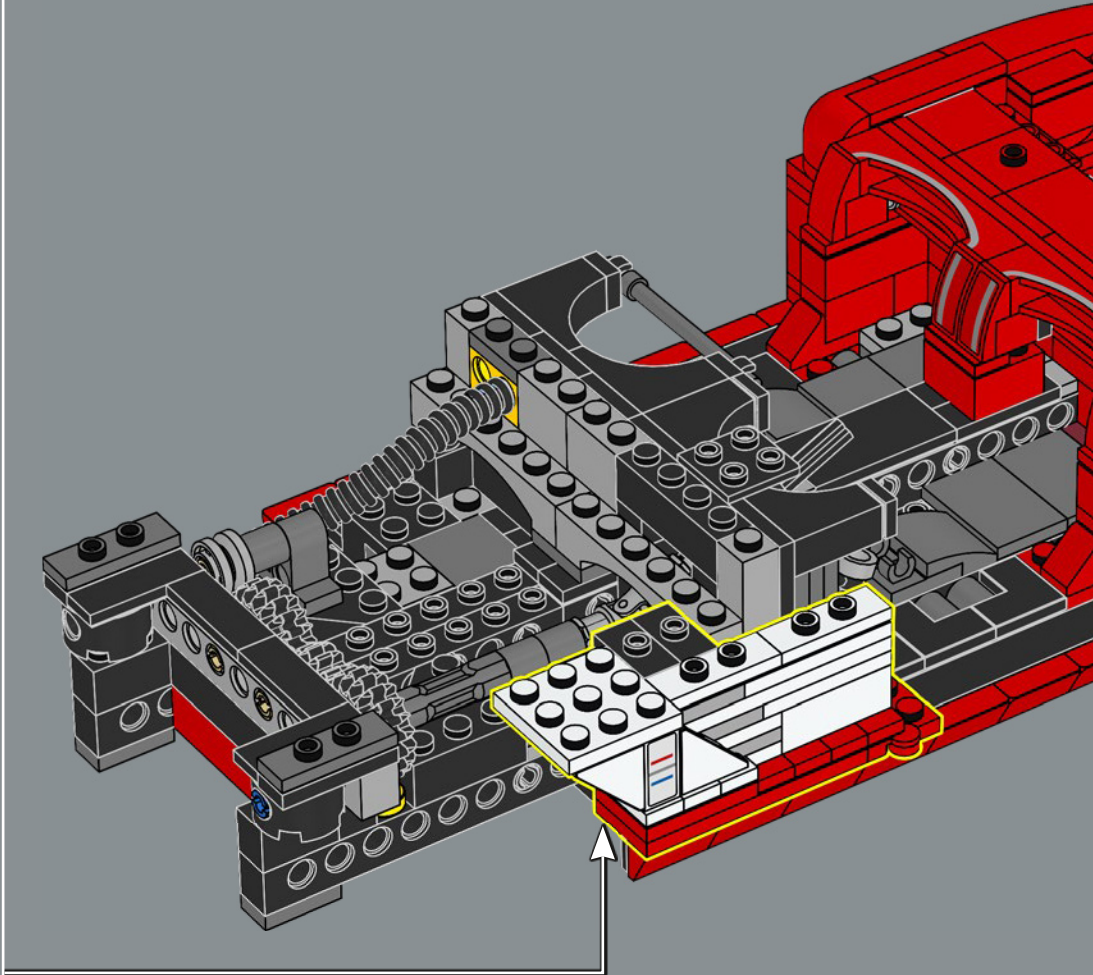
157

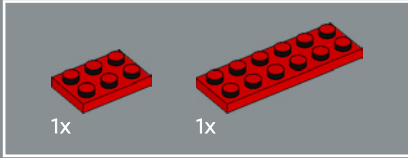
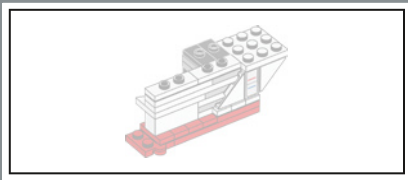


158

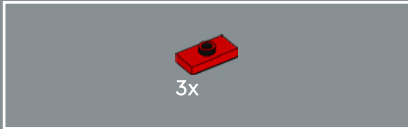
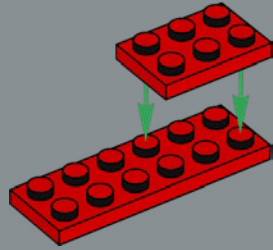


159

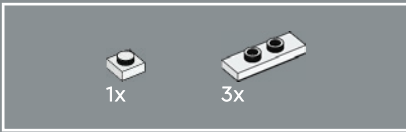
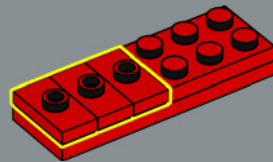




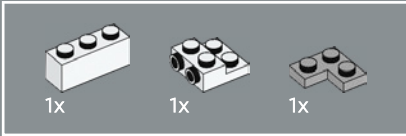
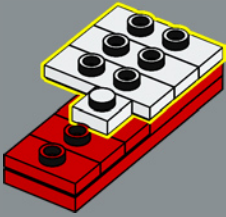
160



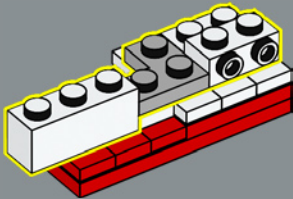
161



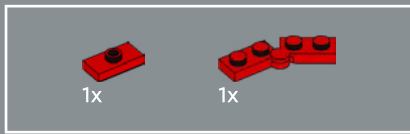
162



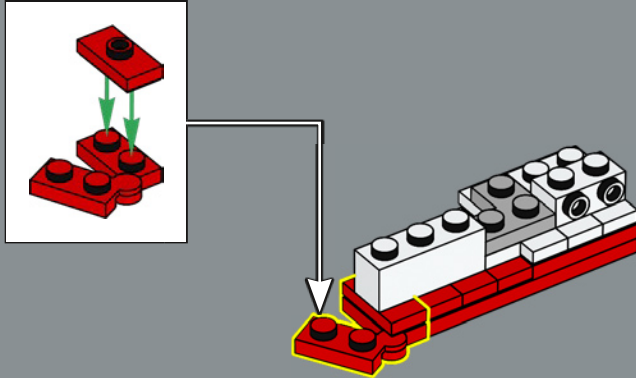
163



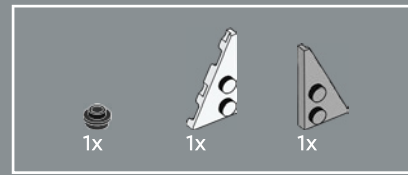
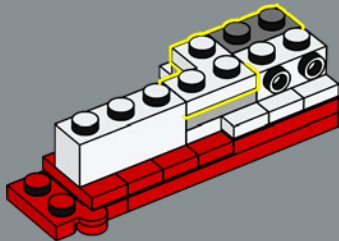




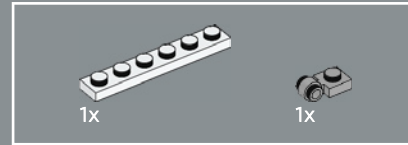
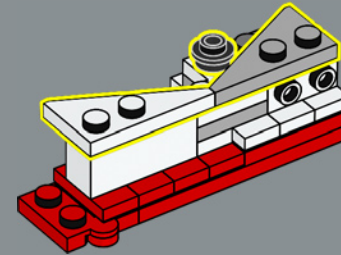
164



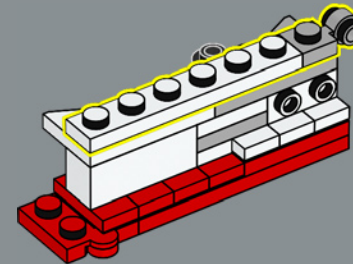
165

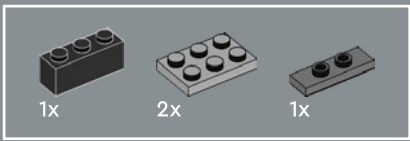


166

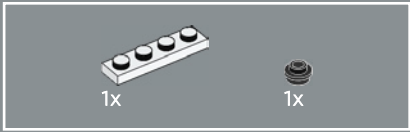
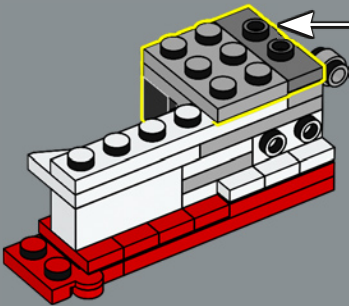
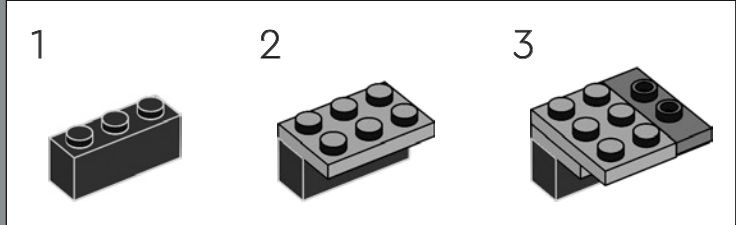


167

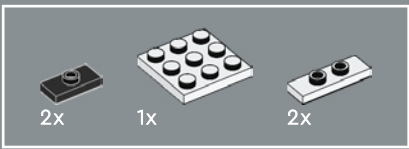
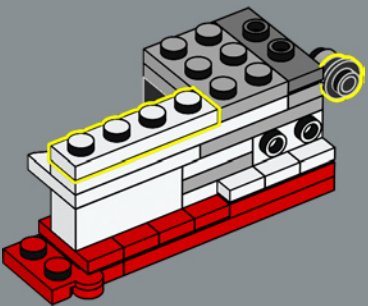




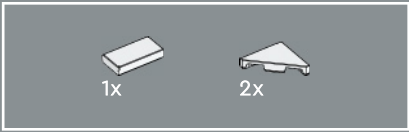
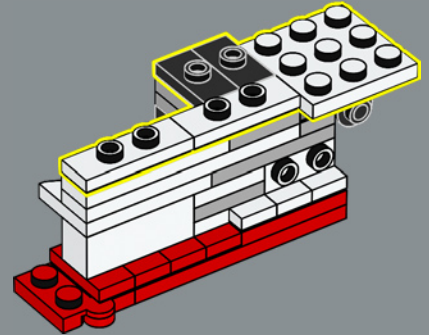
168



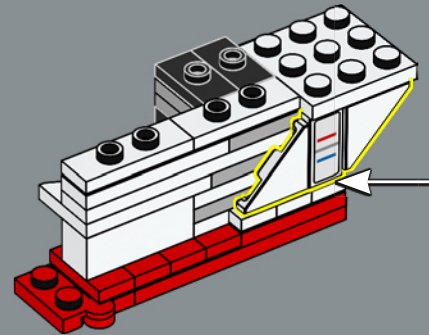
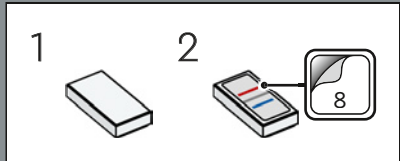
169



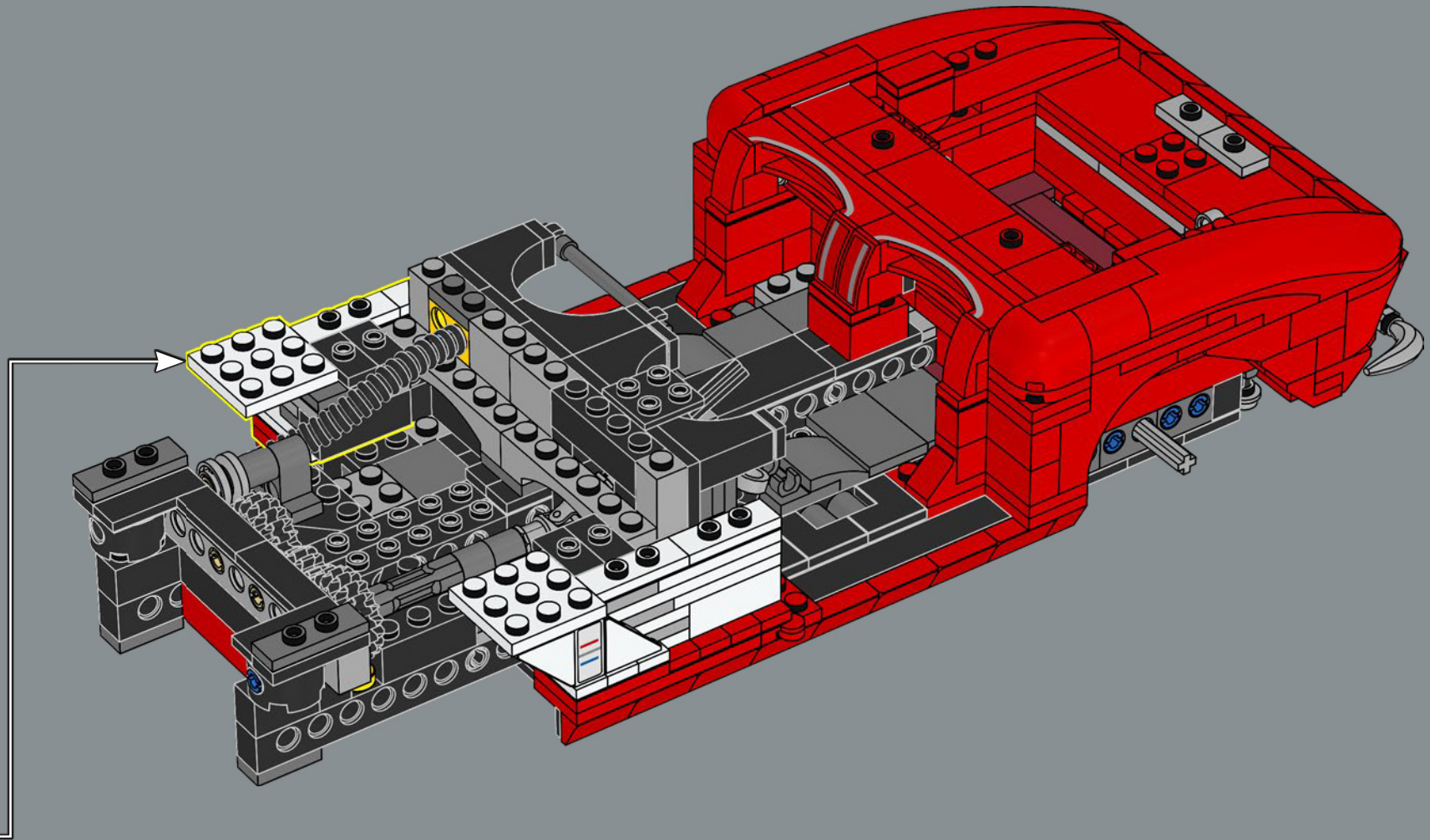
170

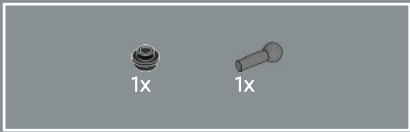


171

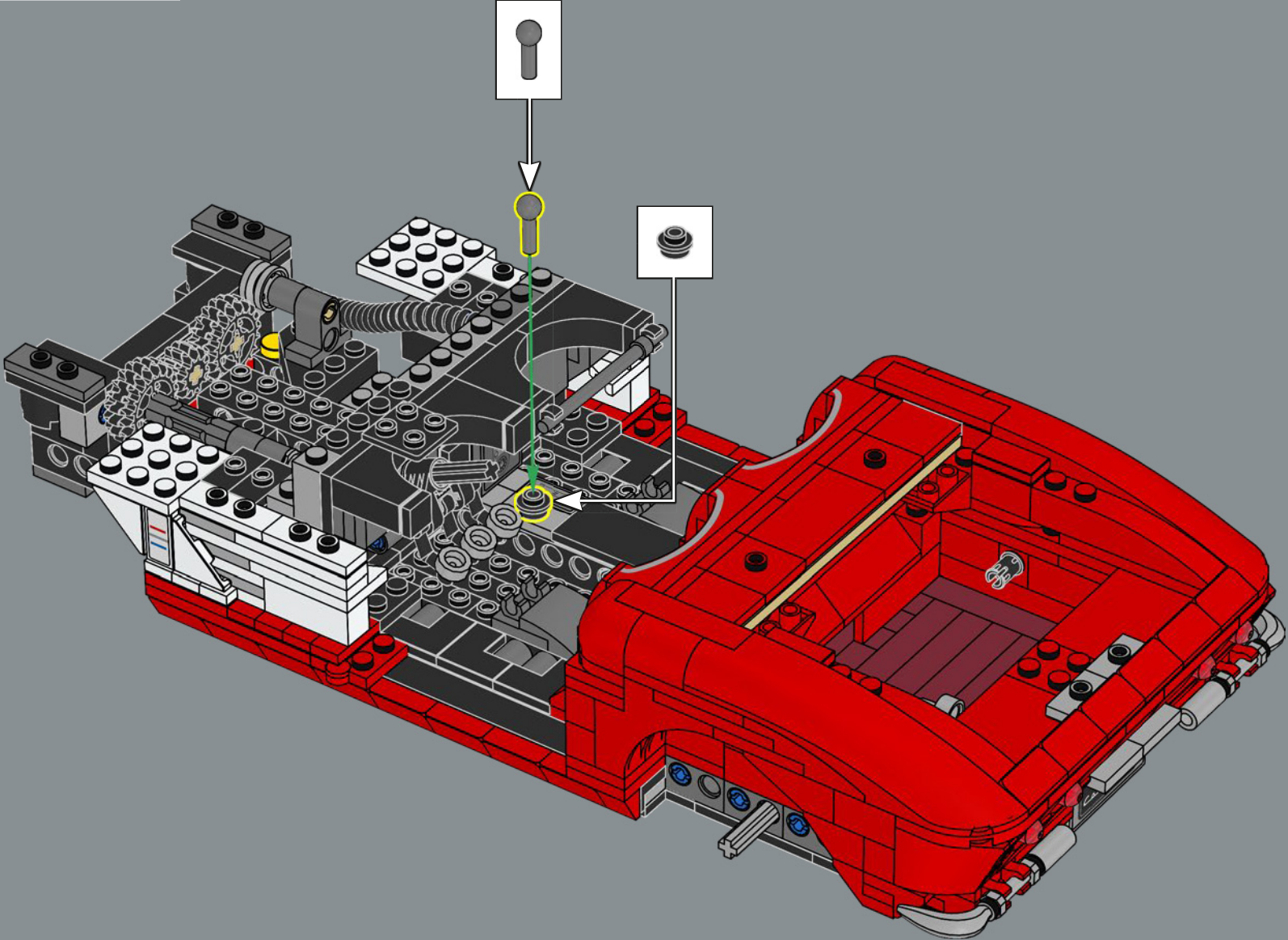


172



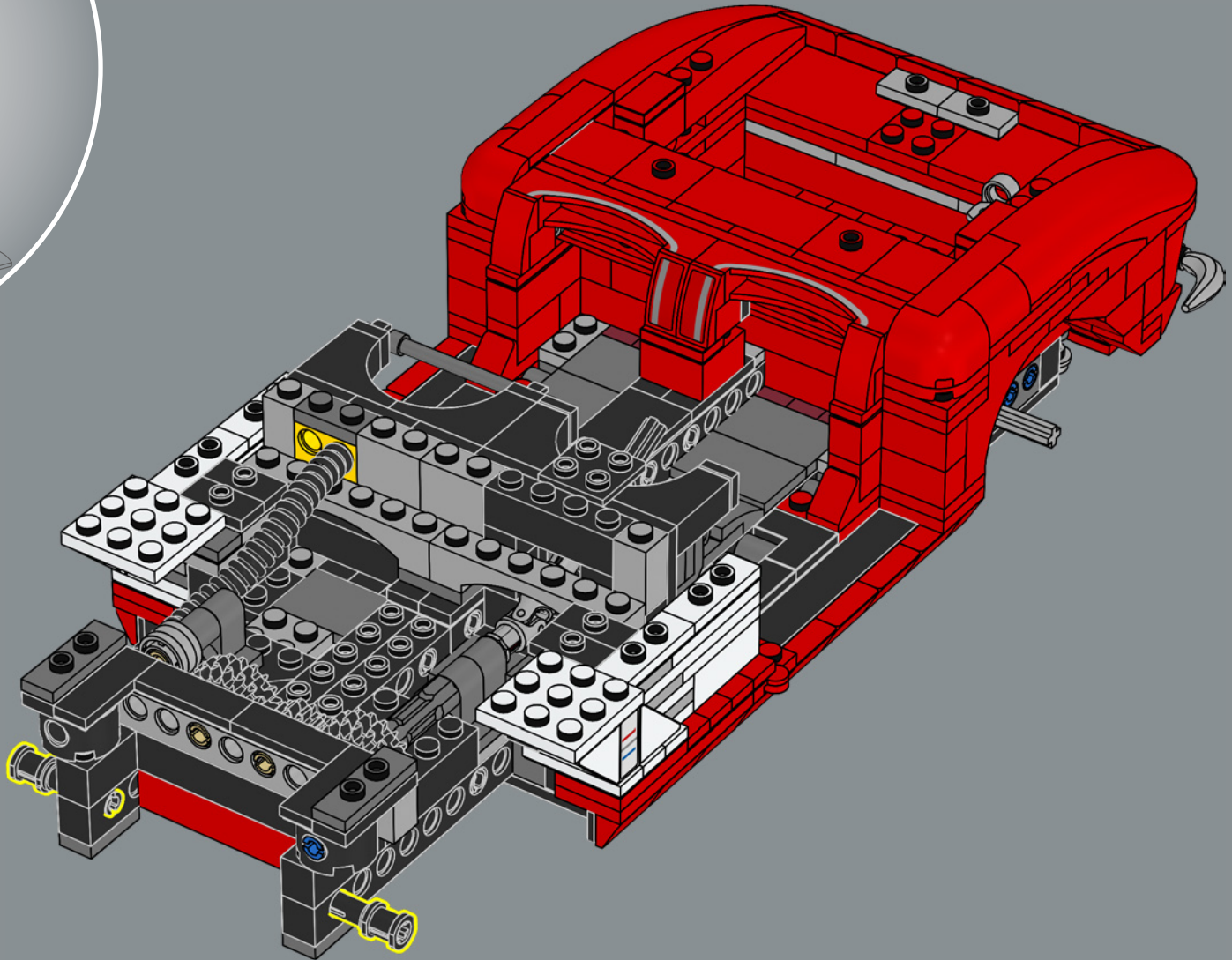


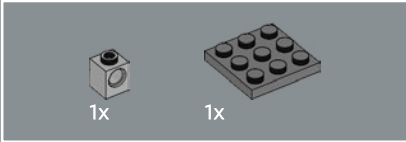
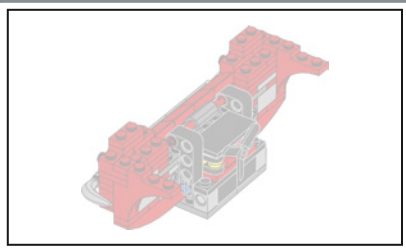
173



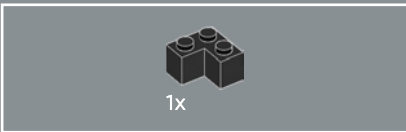
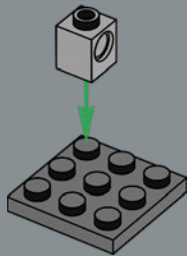


174

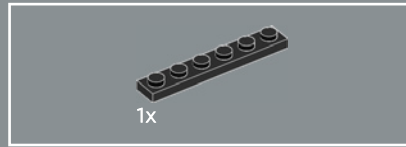
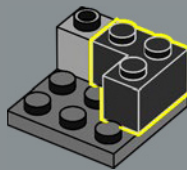




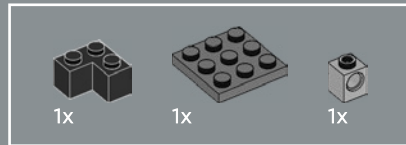
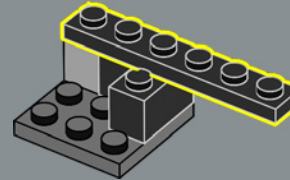
175



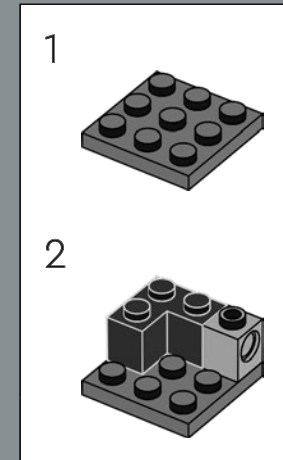
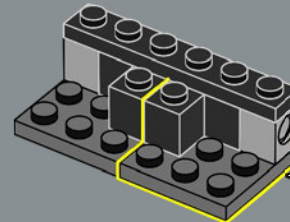
176

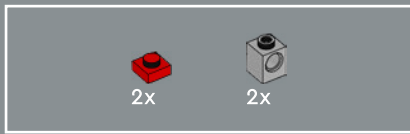


177

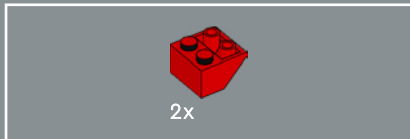
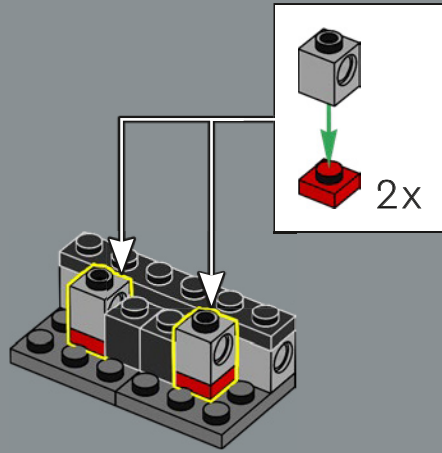


178

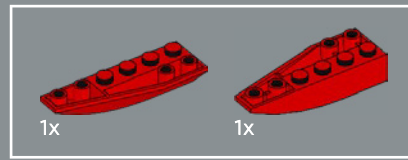
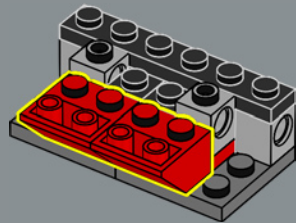




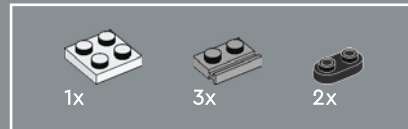
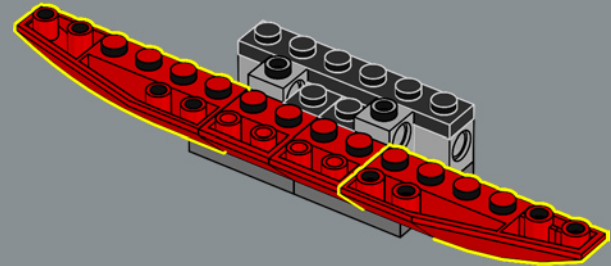
179



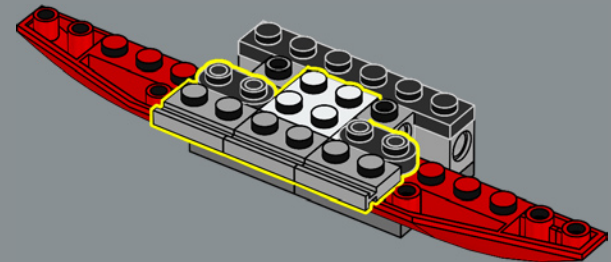
180

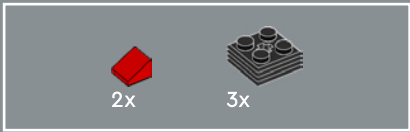


181

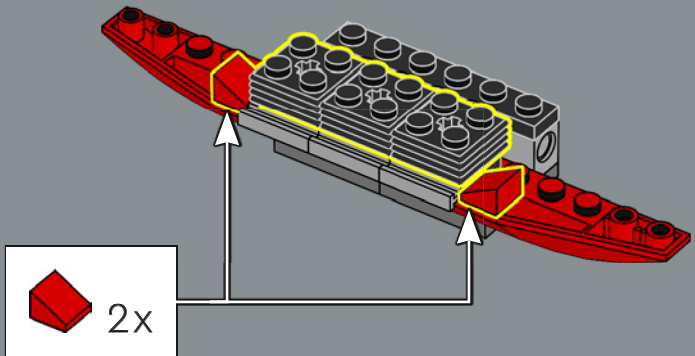


182

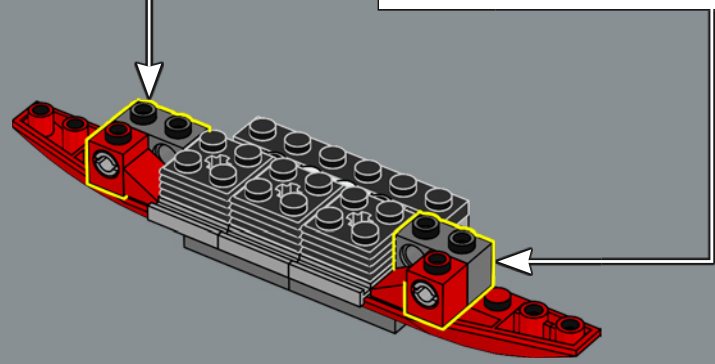
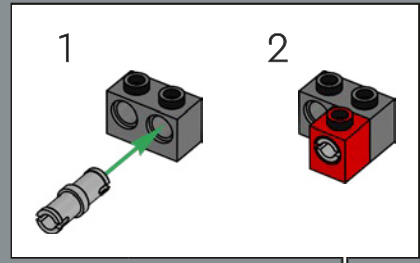
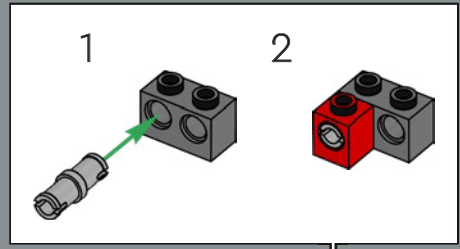




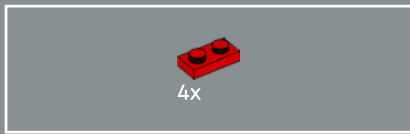
183



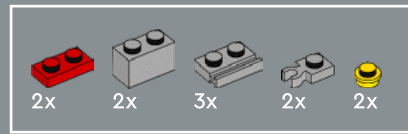
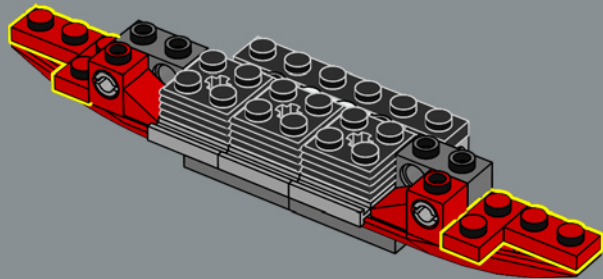
184



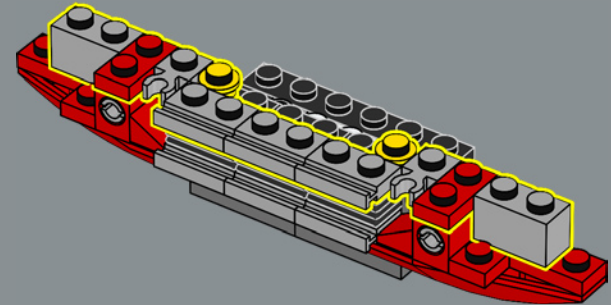


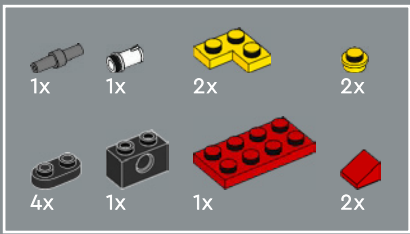


185

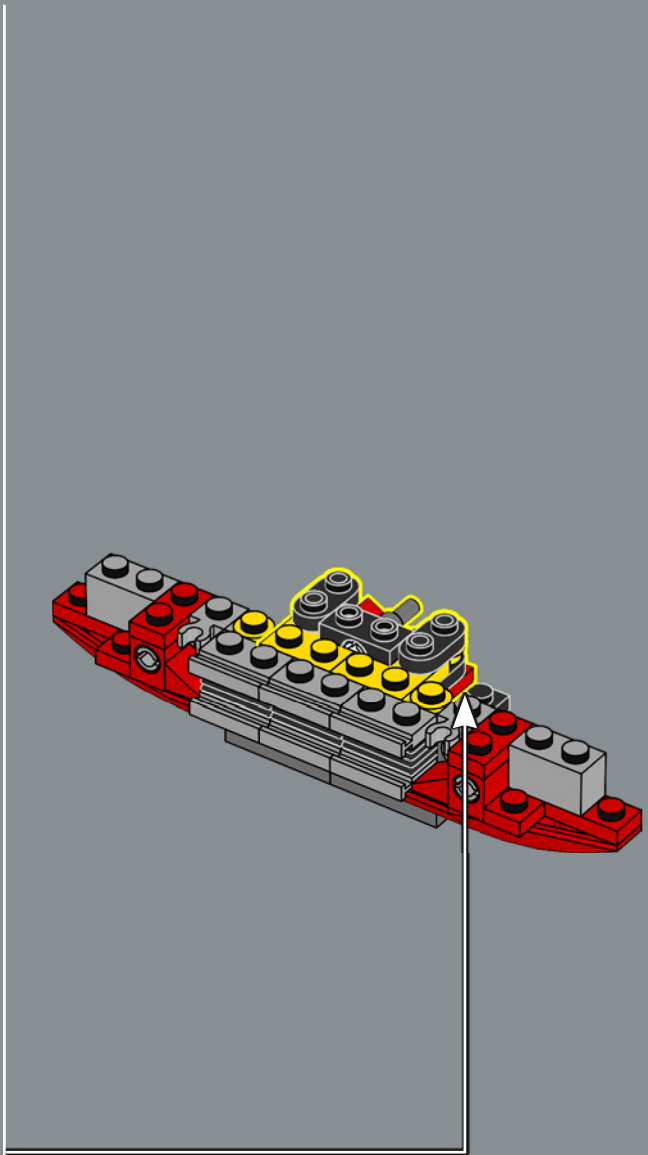
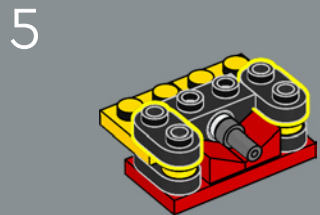
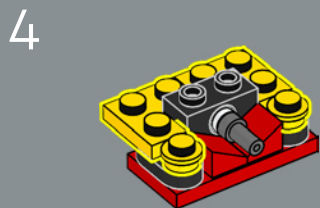
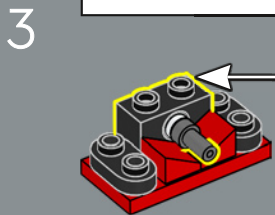
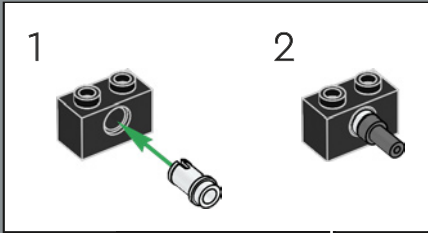
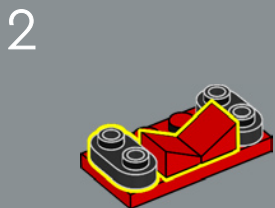
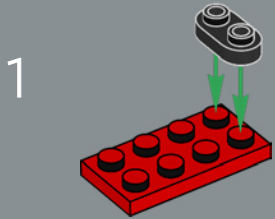


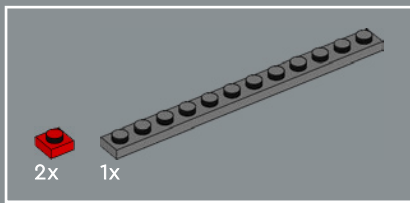
186



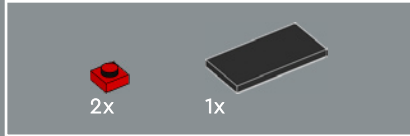
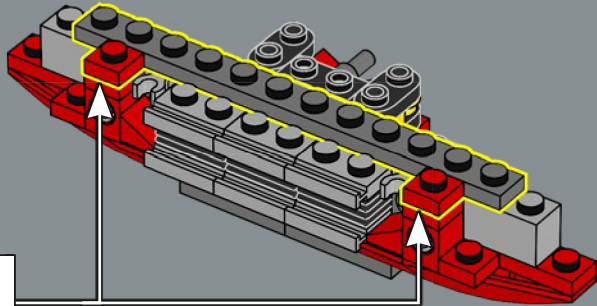


187

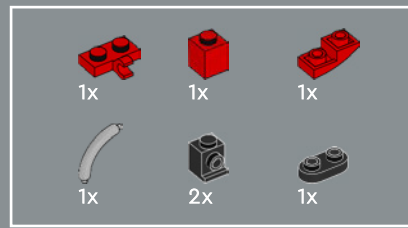
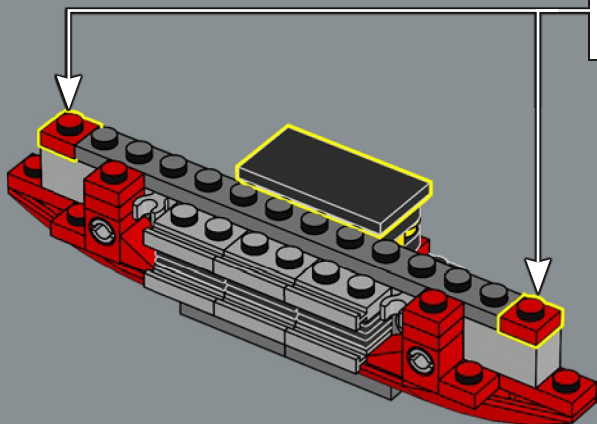




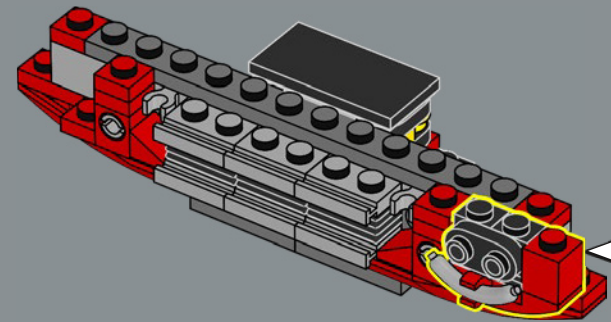
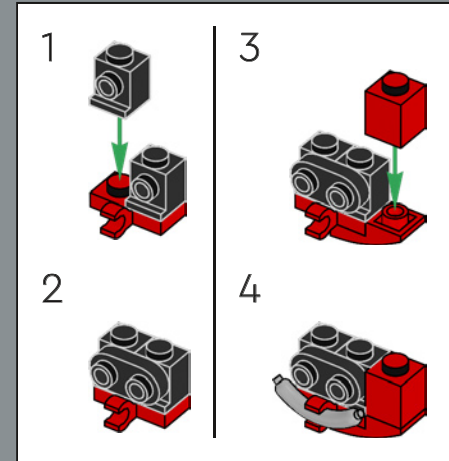
188

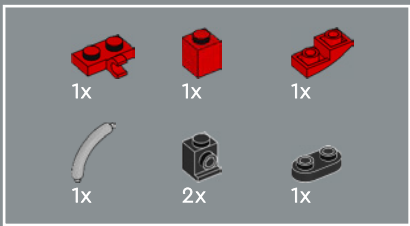


189

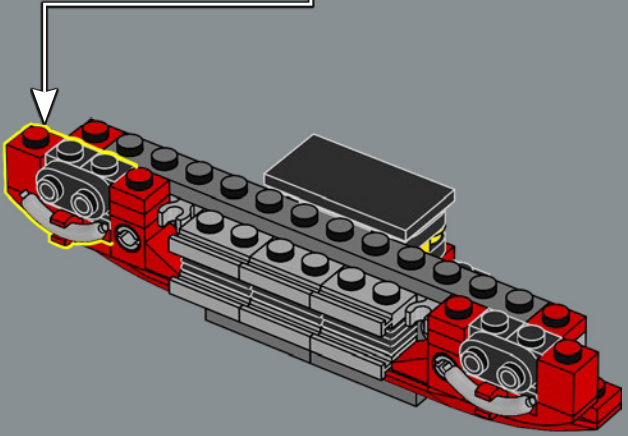
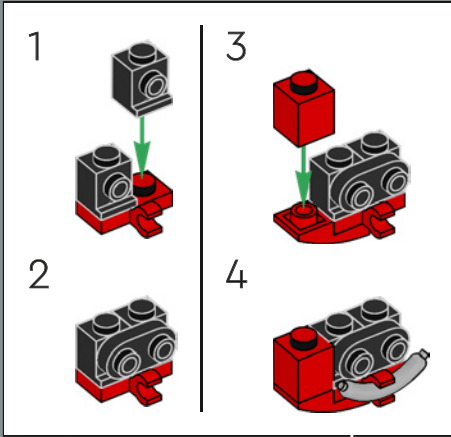


190

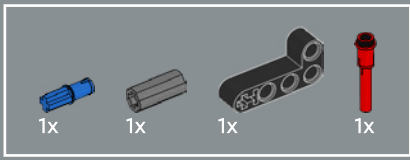
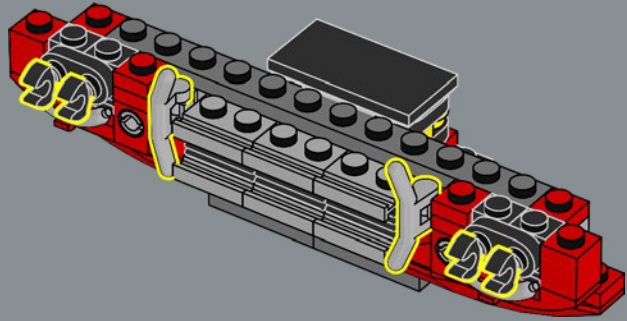




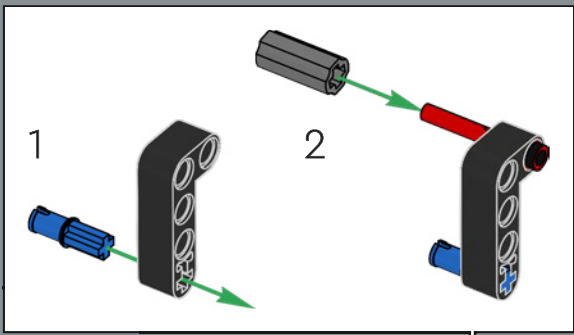
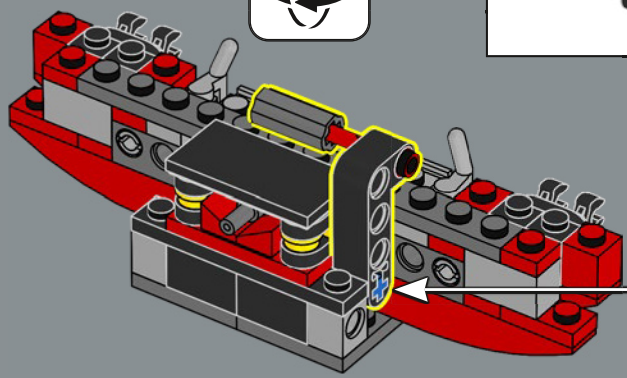
# 191

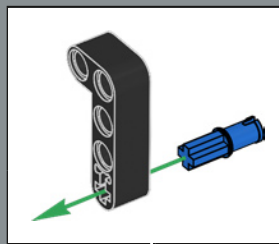
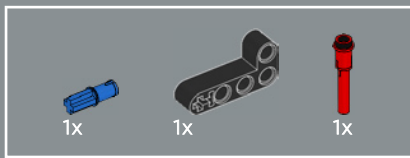


# 192

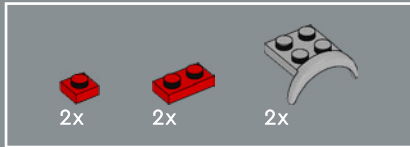
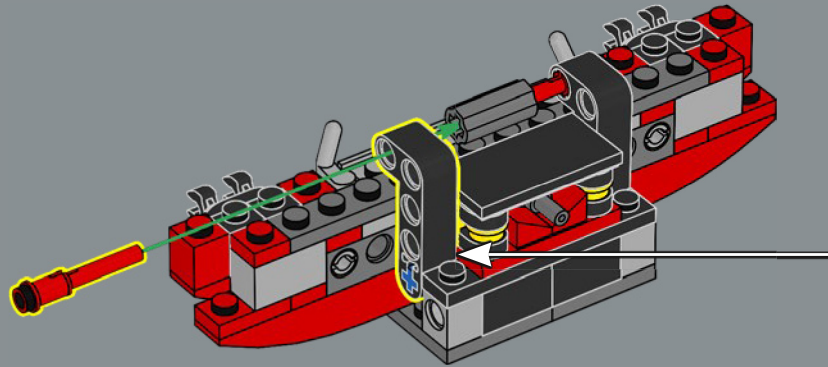


# 193

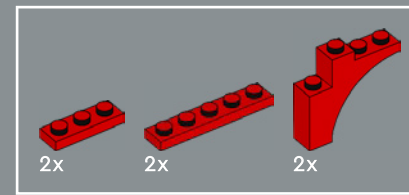
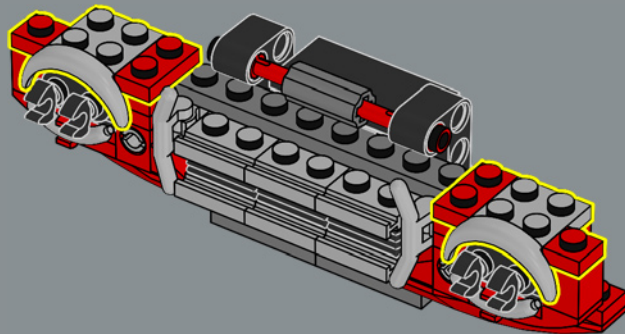




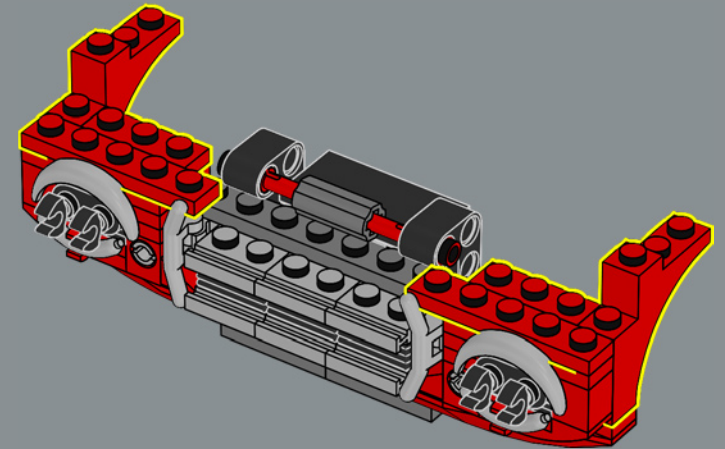
194

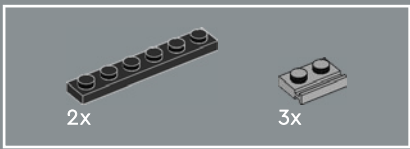


195

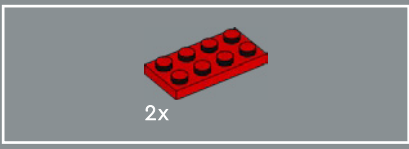
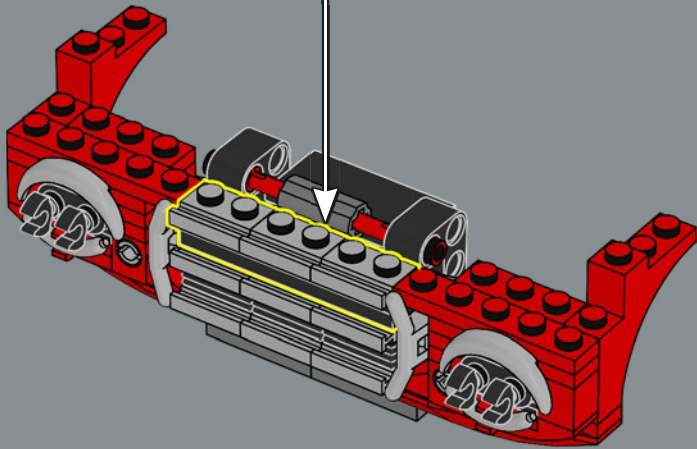
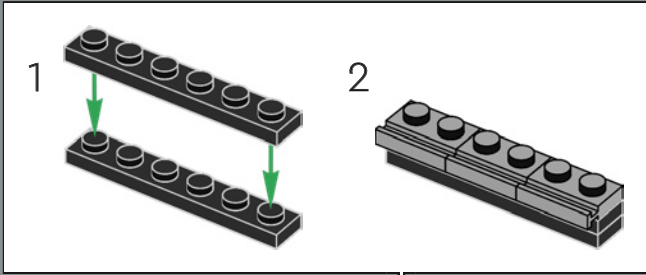


196

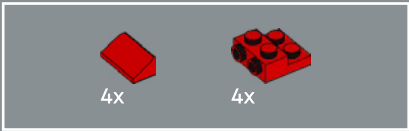
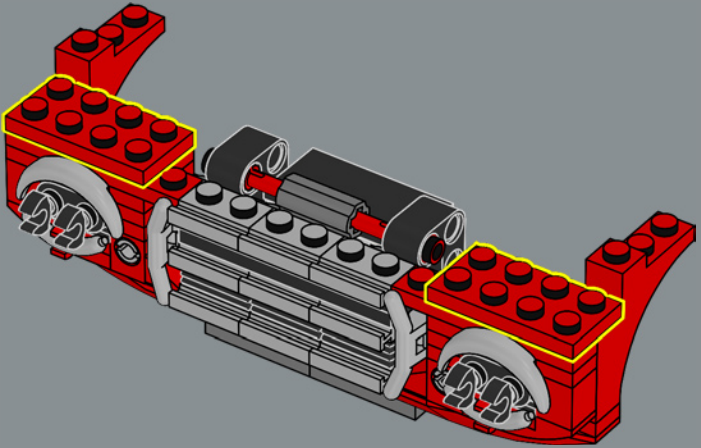




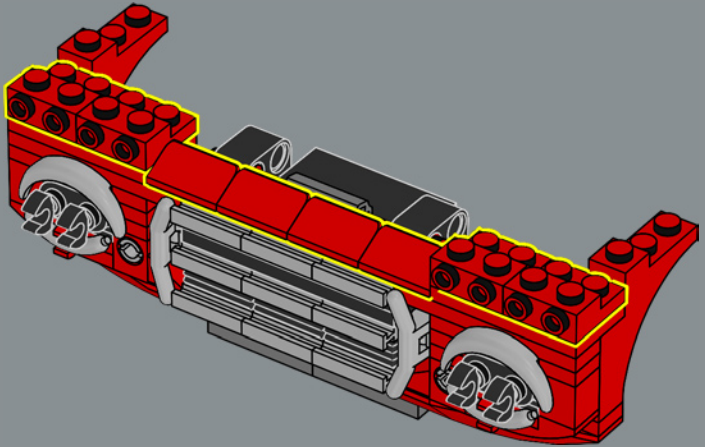
197

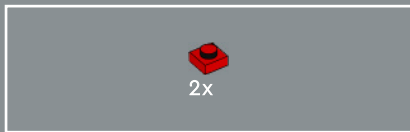


198

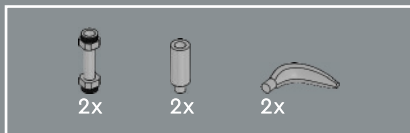
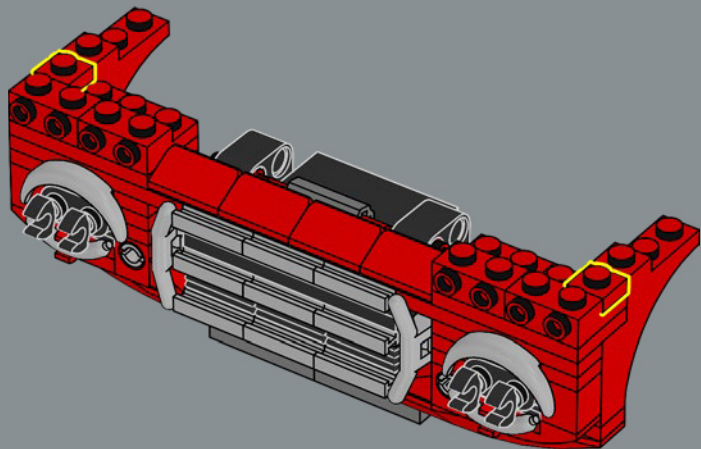


199

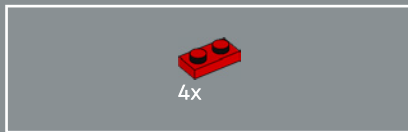
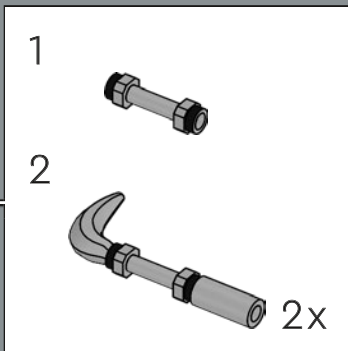
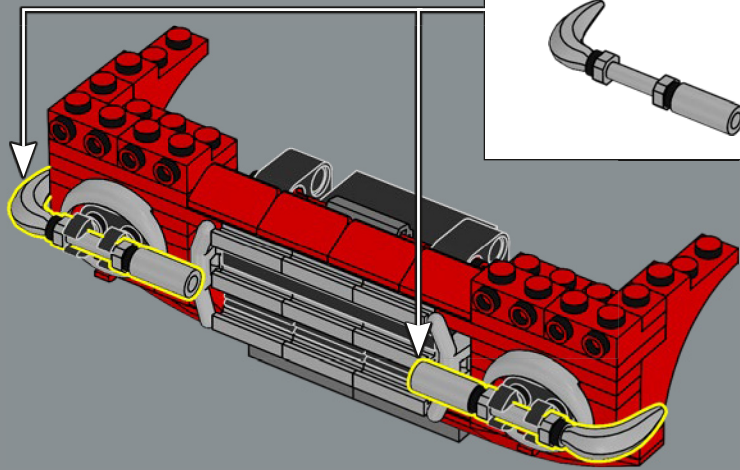




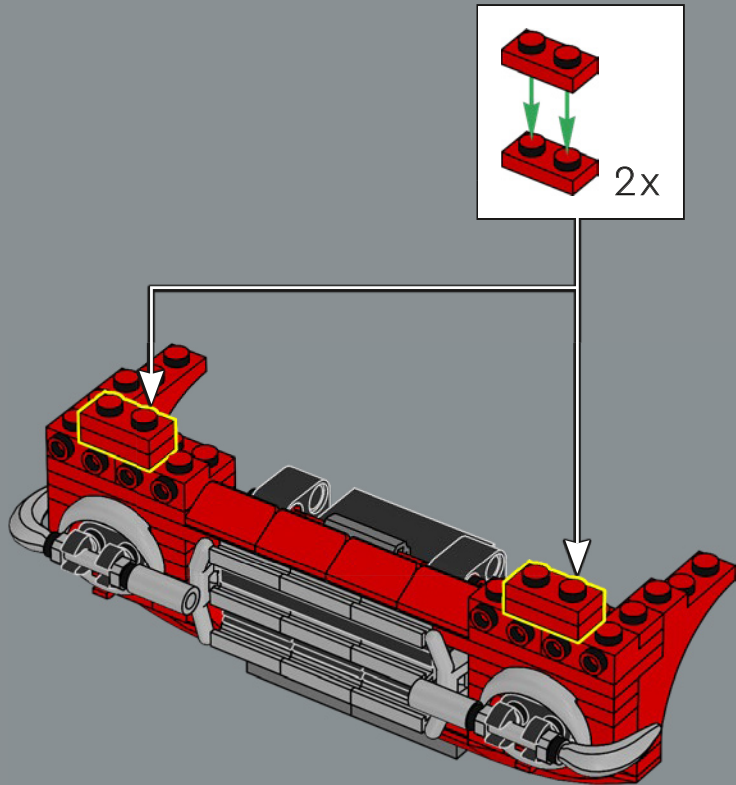
200



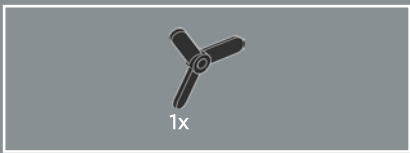
201



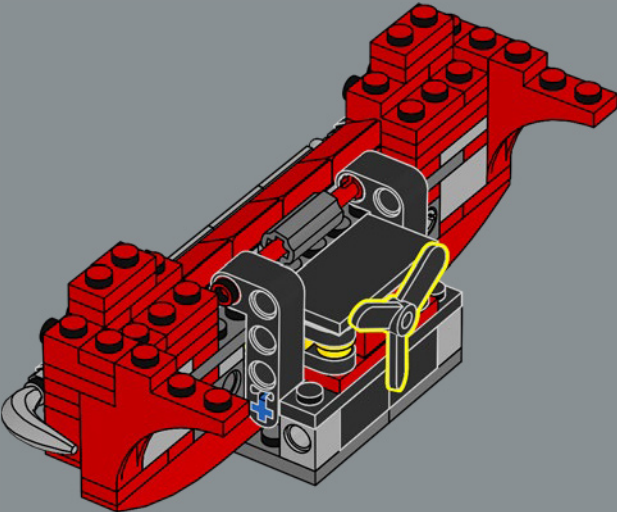
202



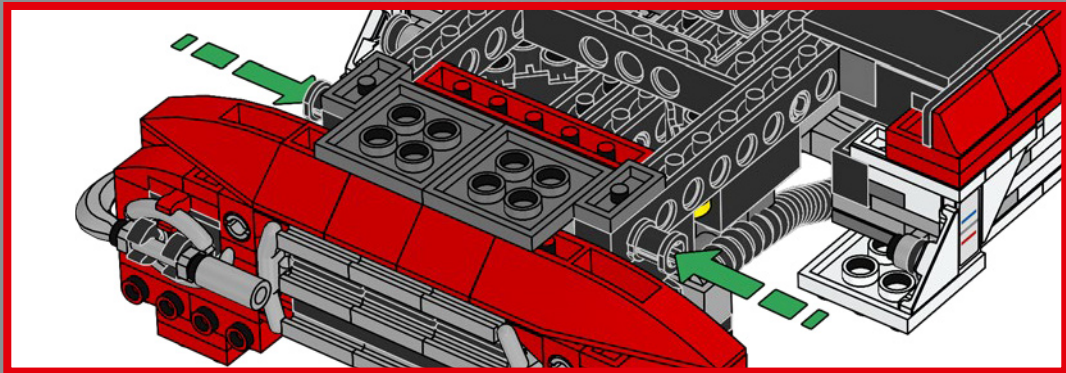
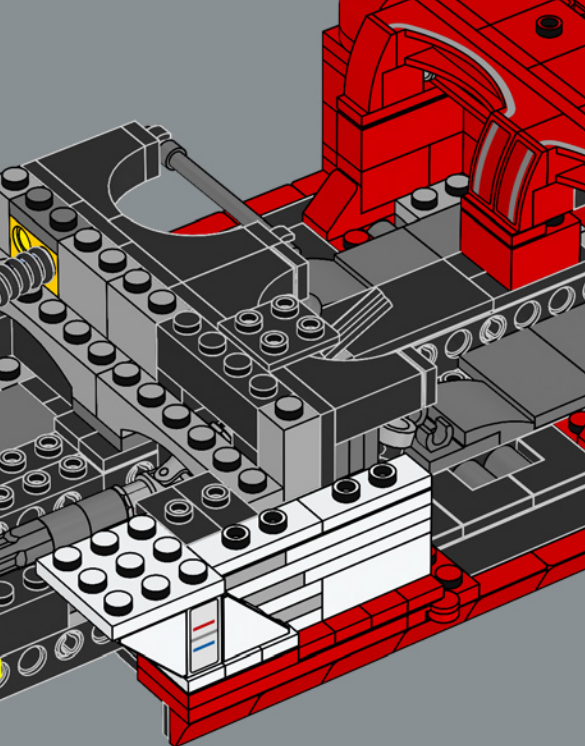
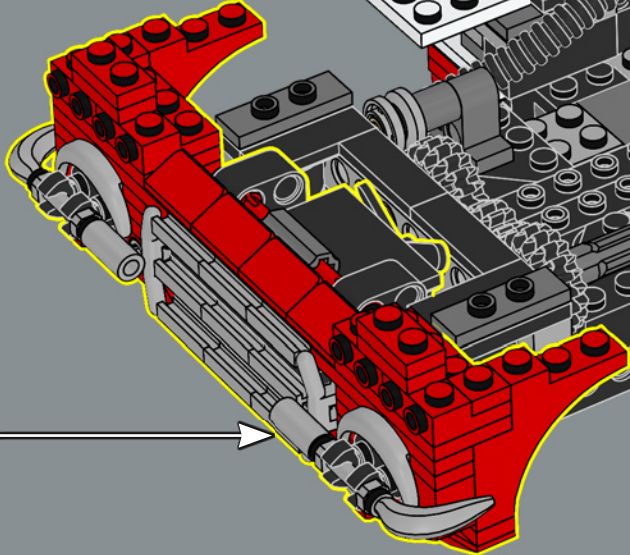
正面设计的一部分是在经过重新着色的乐高®香肠和香蕉组件的帮助下现实的!



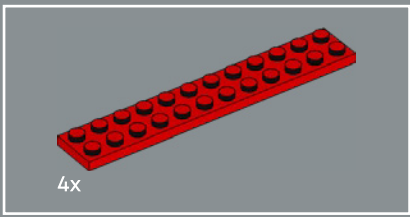
203



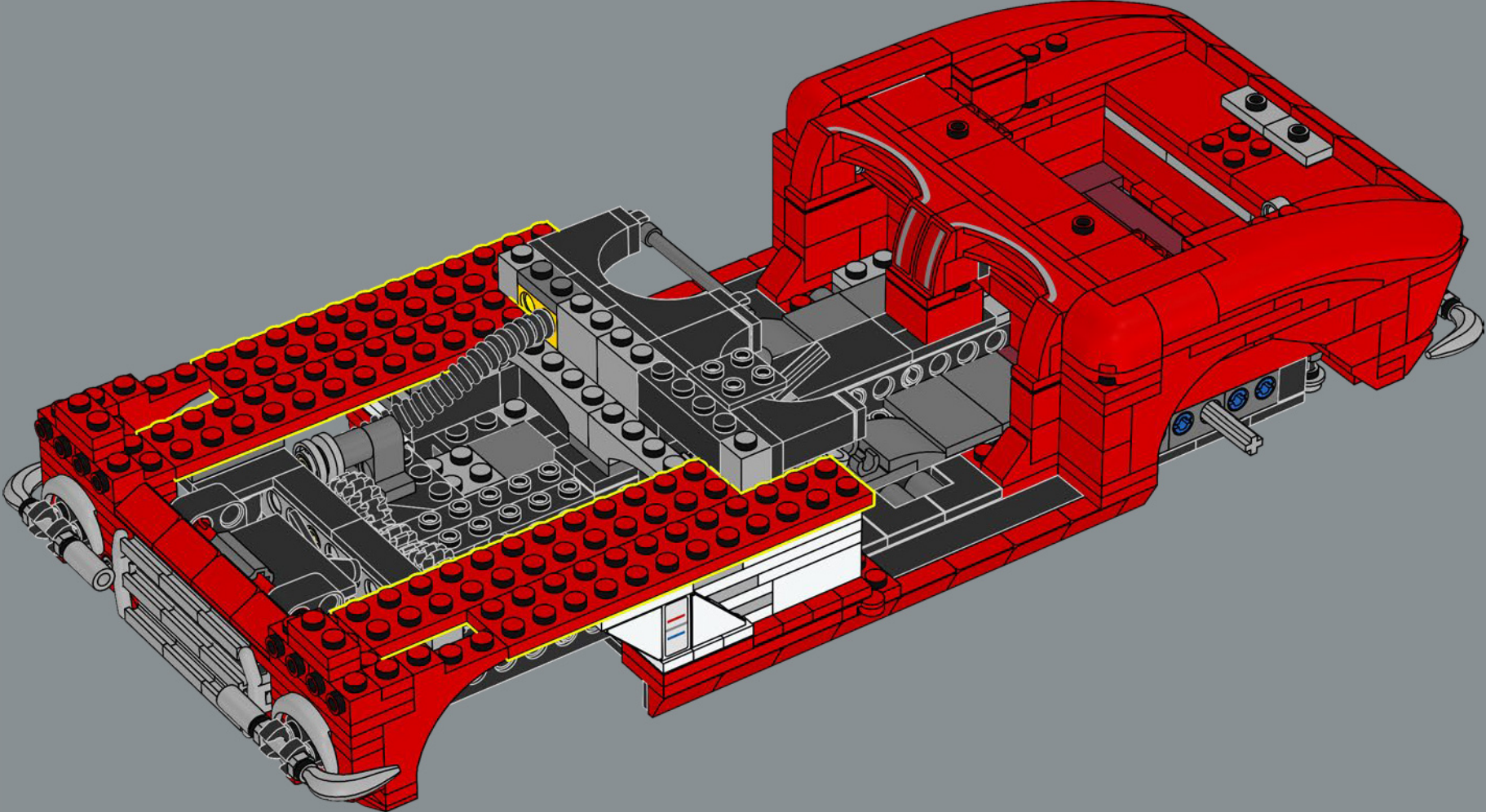
204

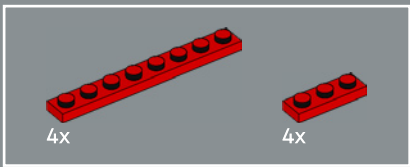




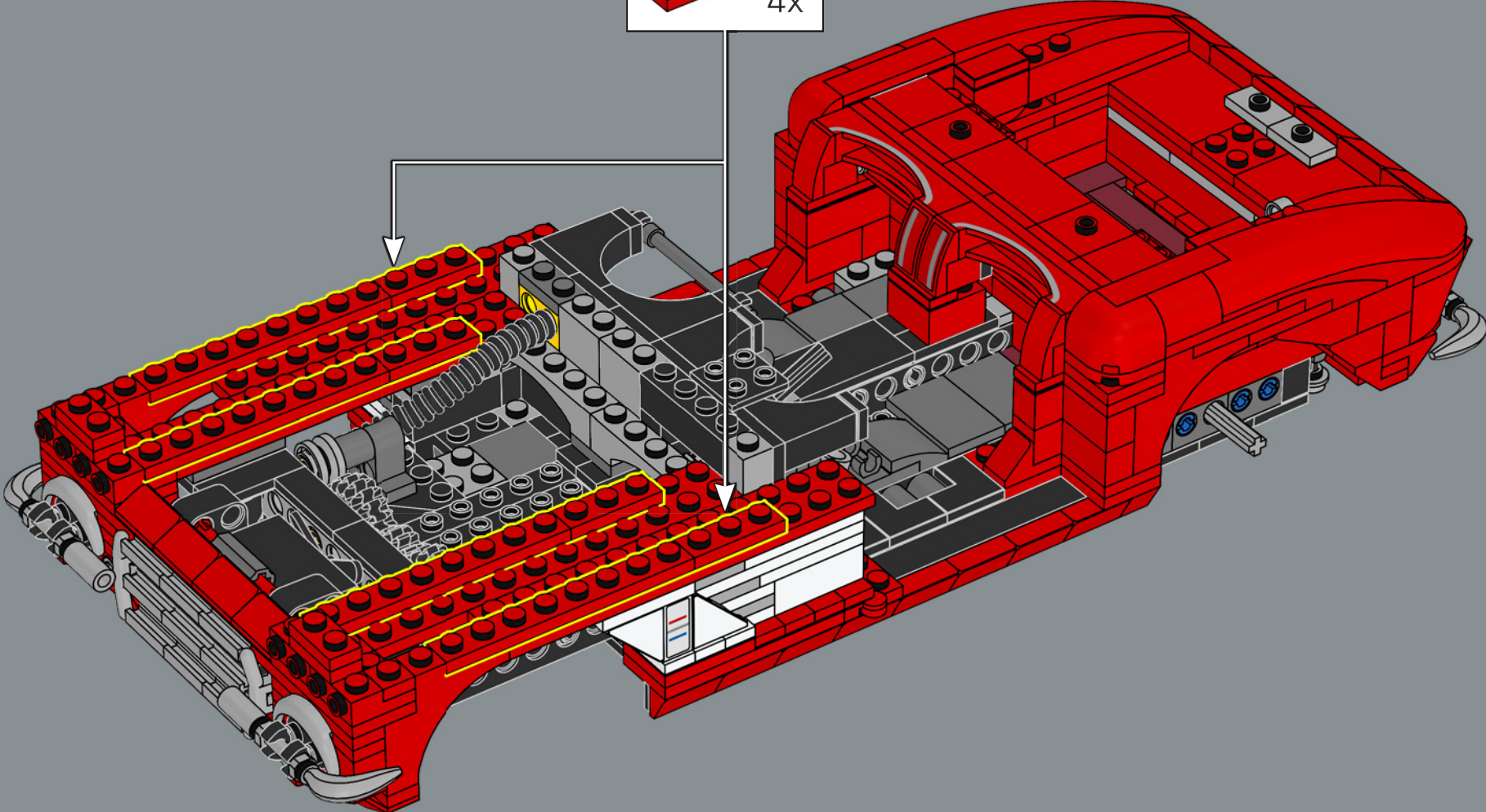
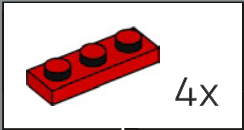


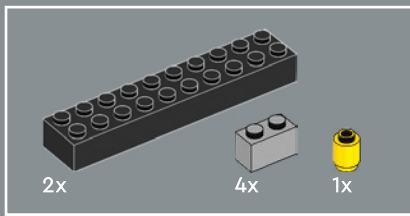
205



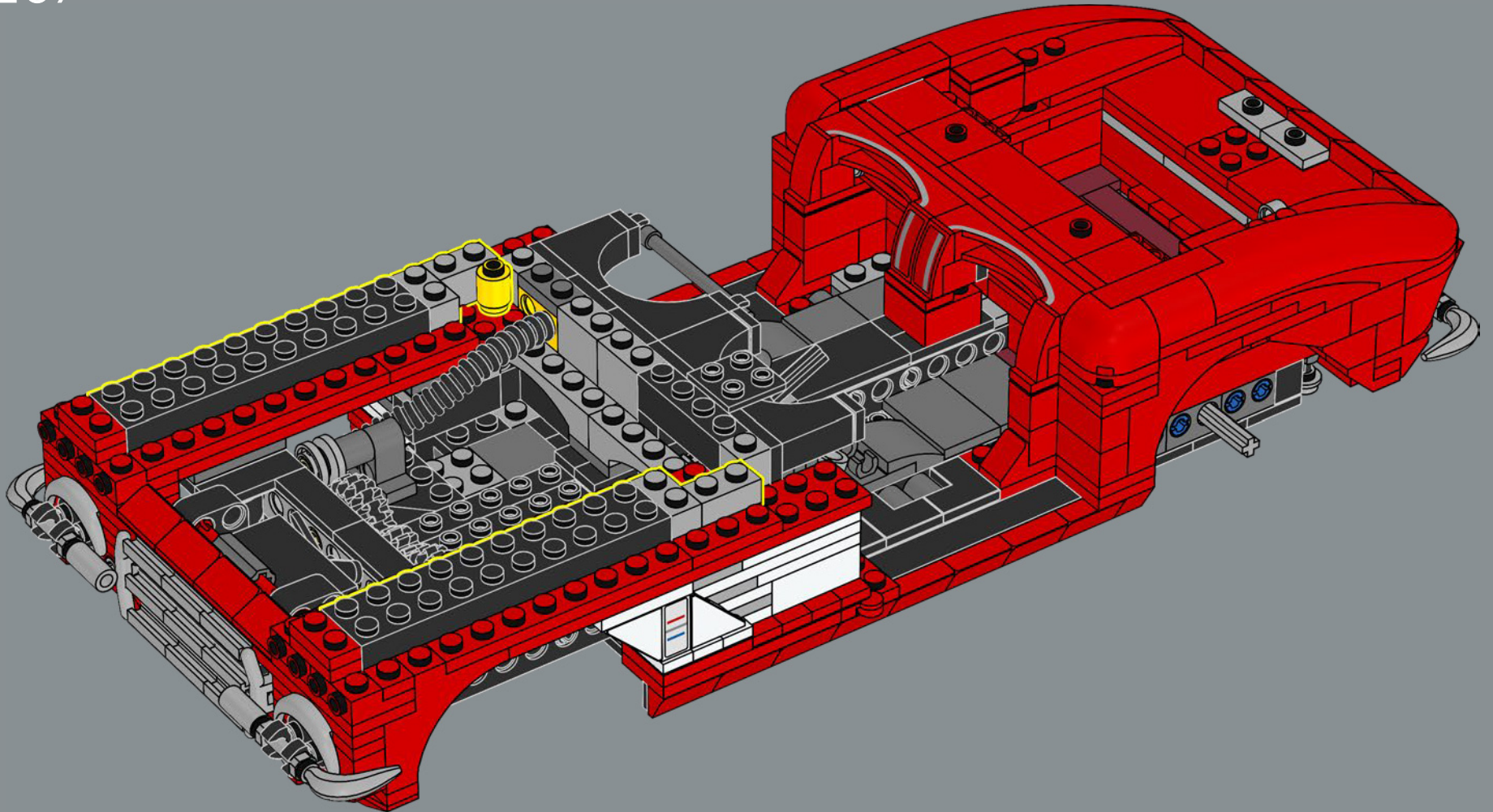


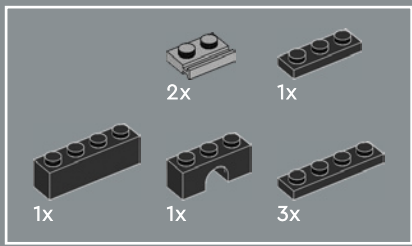
206



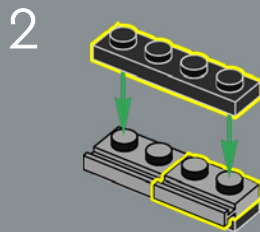
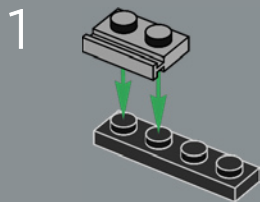


207

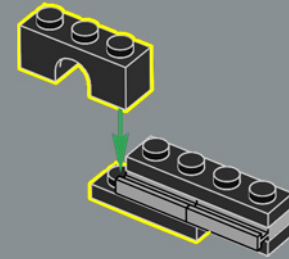




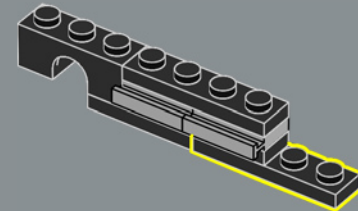
208



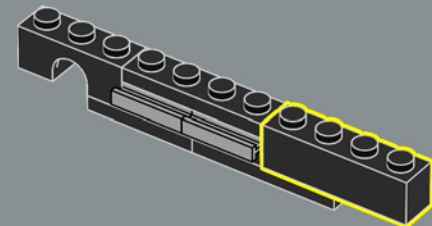
3

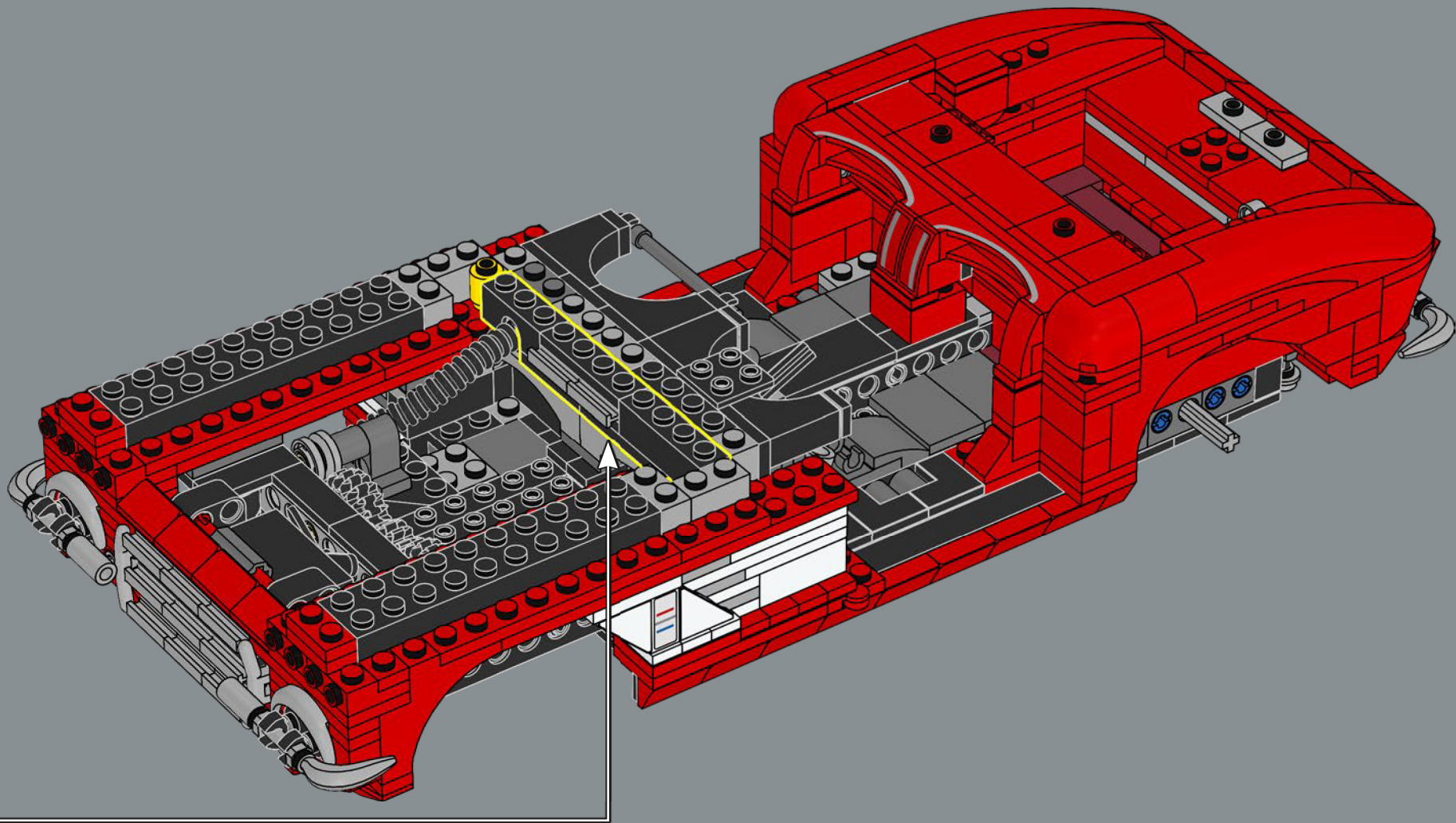


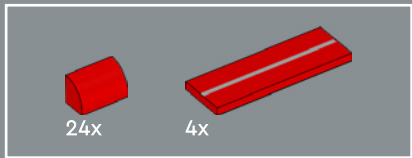
4



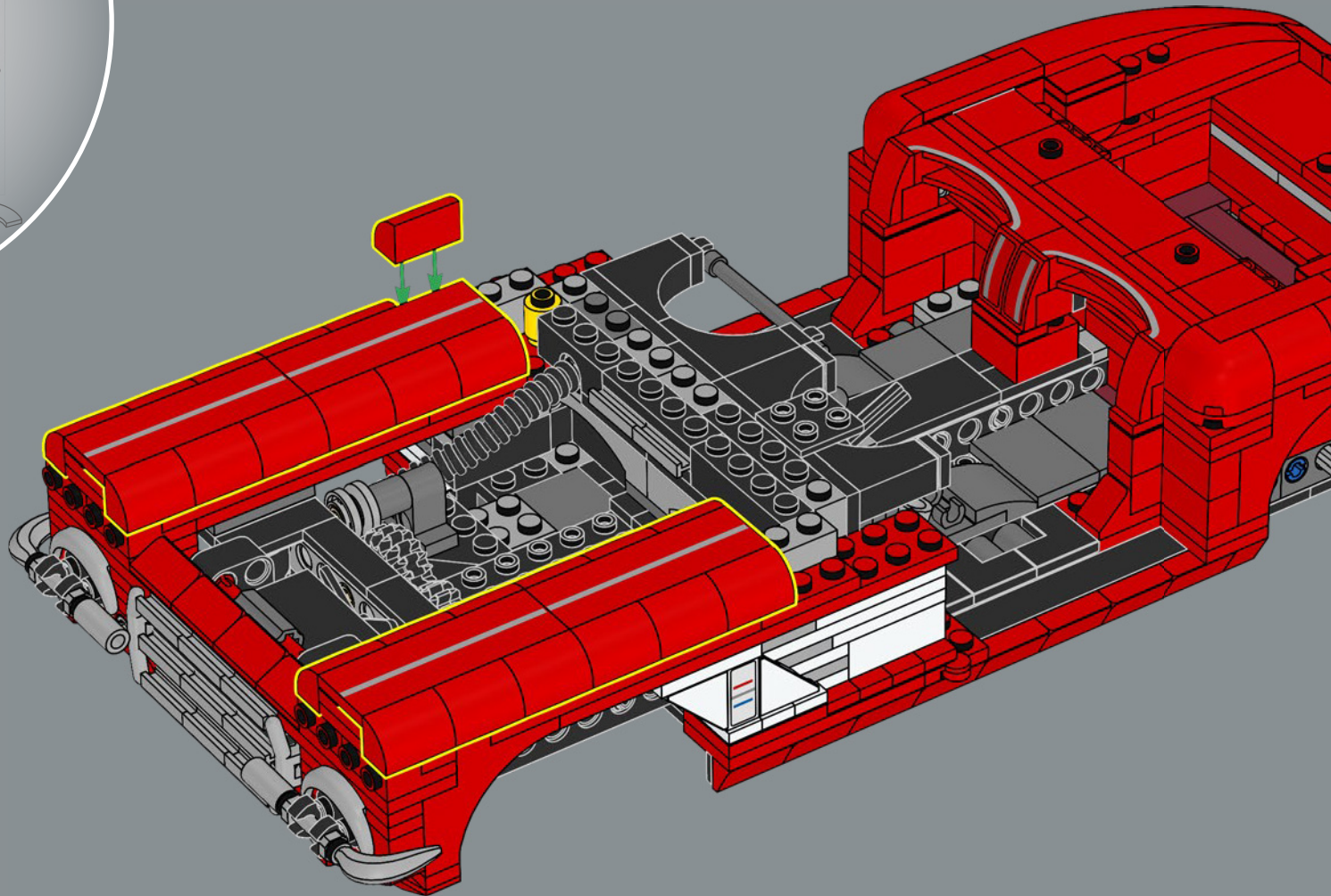
5





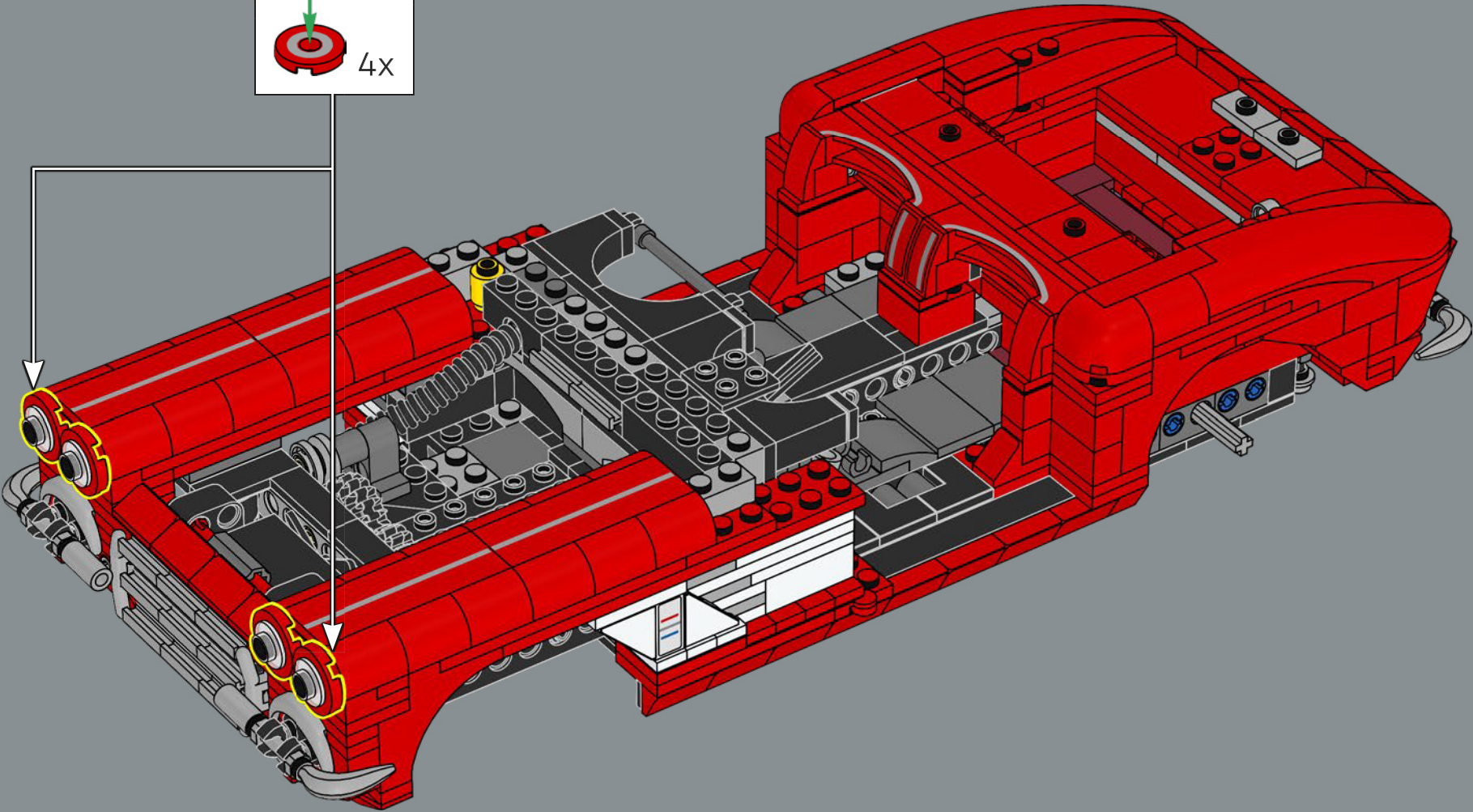
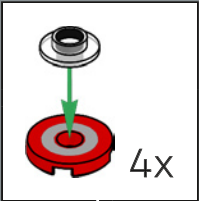


209



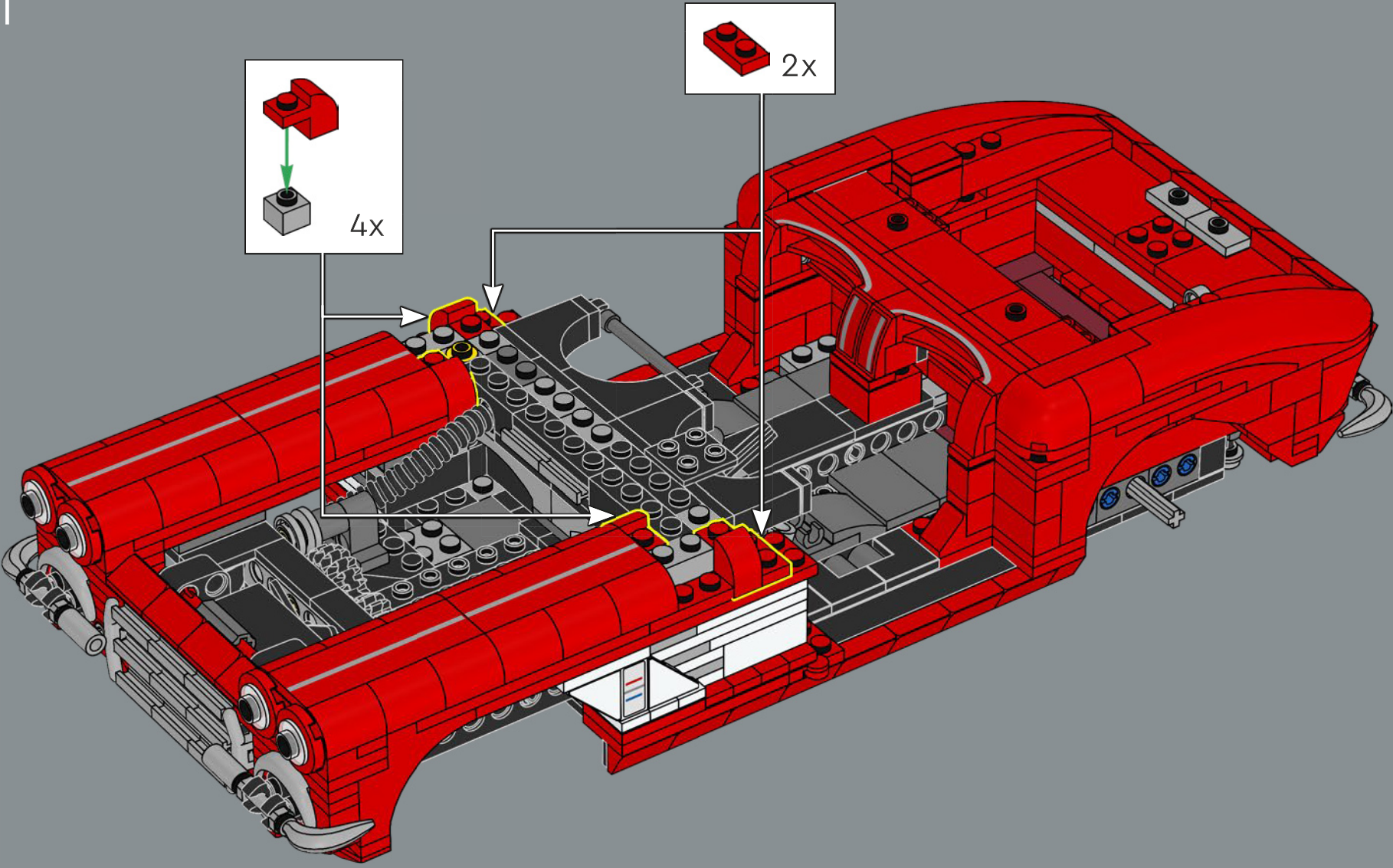


210

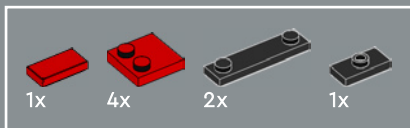




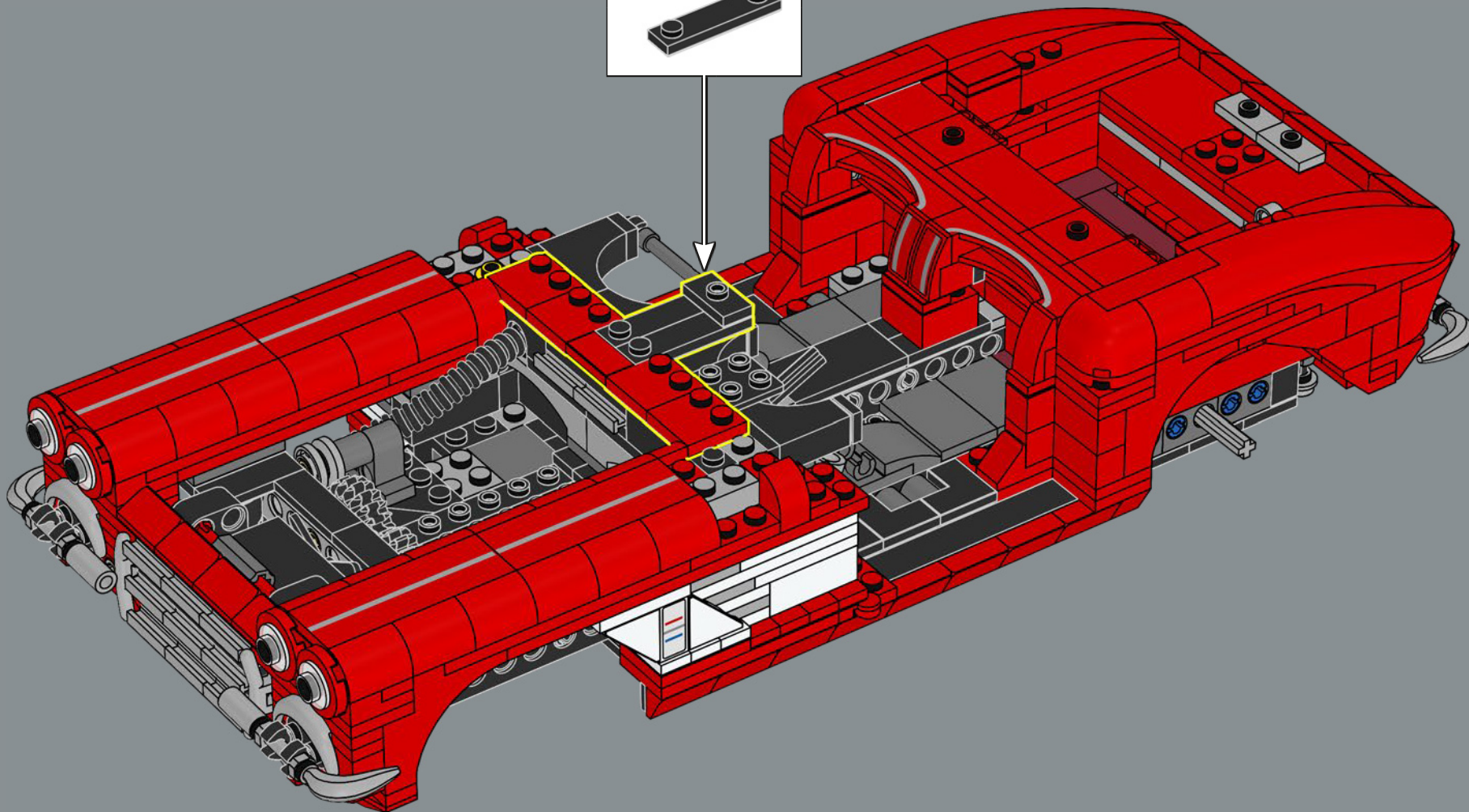
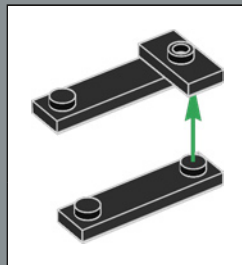
211

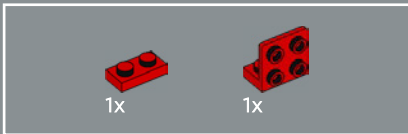
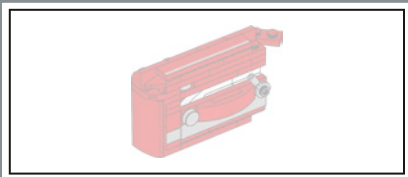




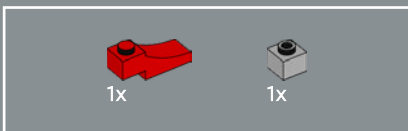
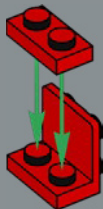


212

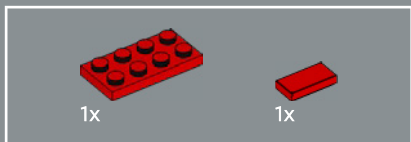
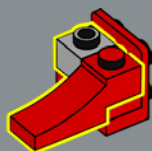




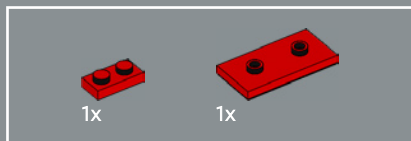
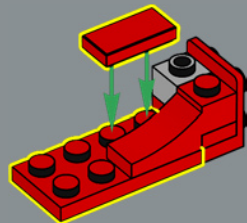
213



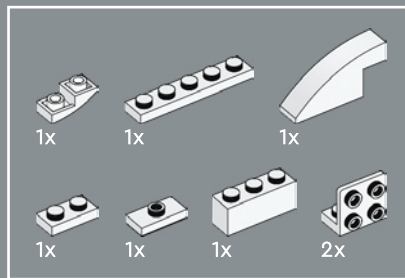
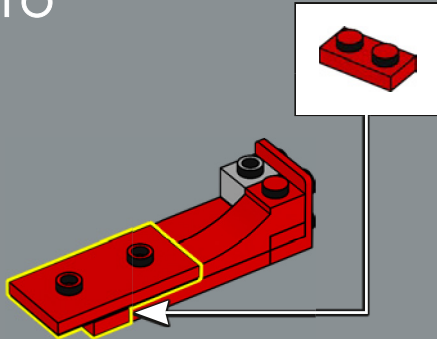
214



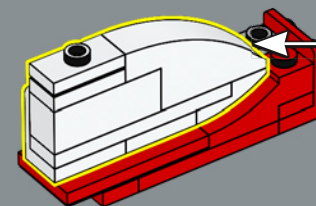
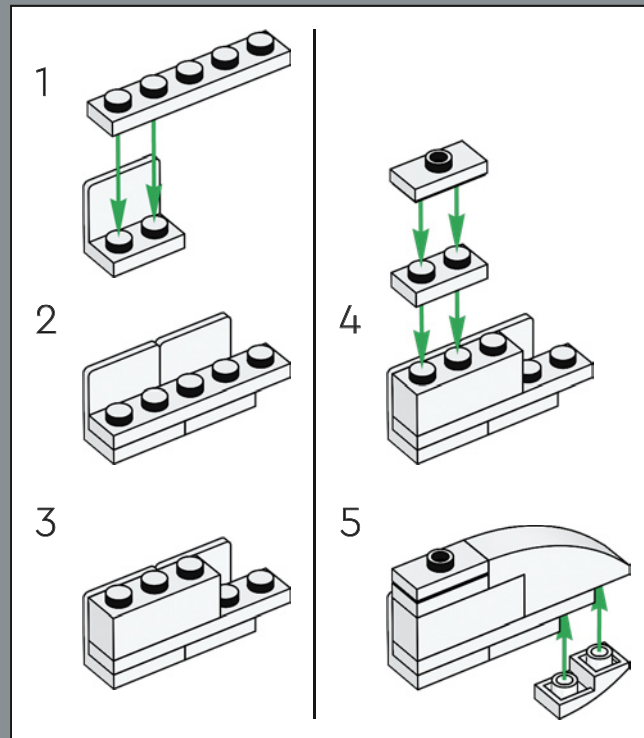
215

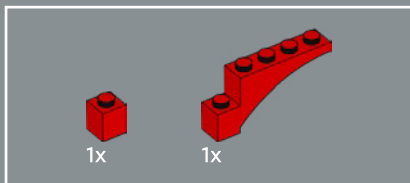


216



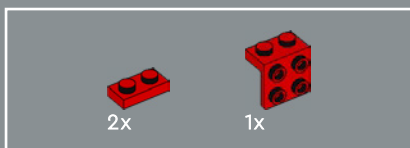
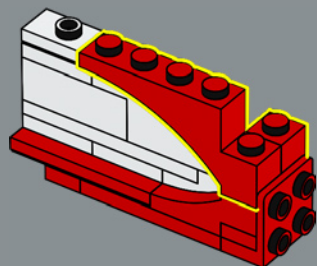
217



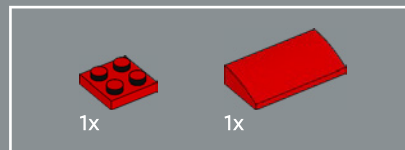
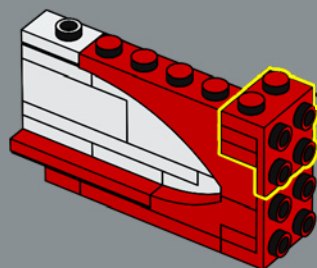
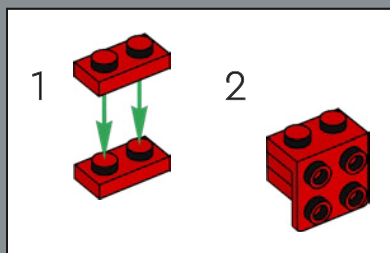


外部侧板包含两个新组件——蝴蝶结形和拱形，以重现标志性的曲线。

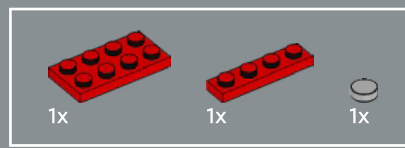
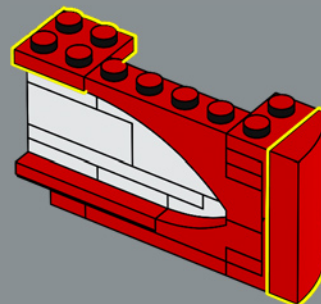
218



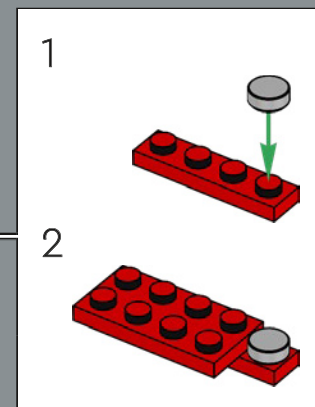
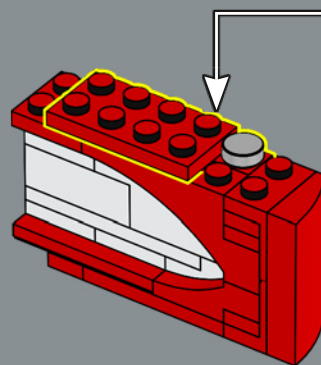
219

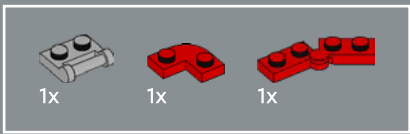


220

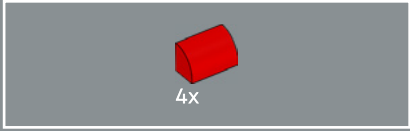
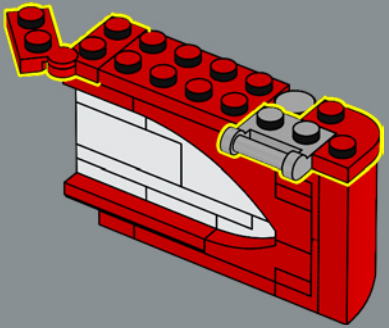


221

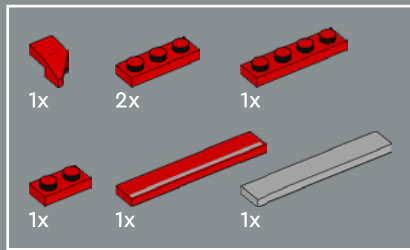
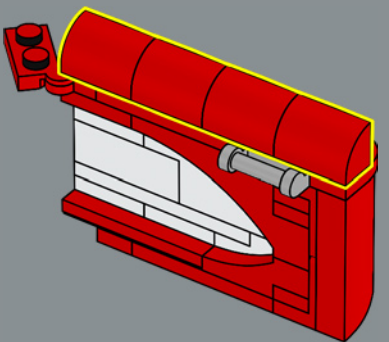




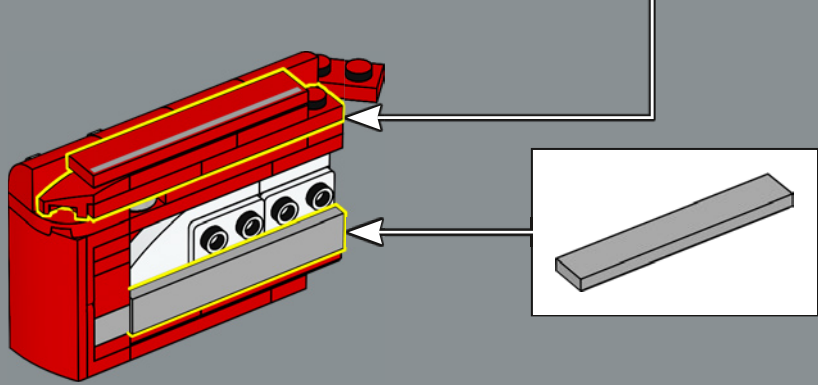
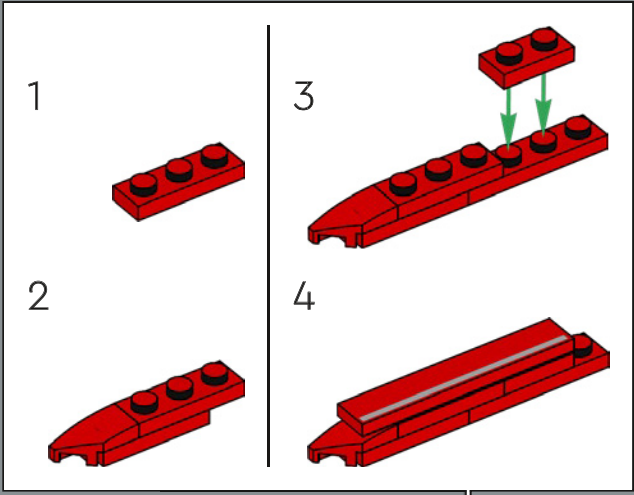
222

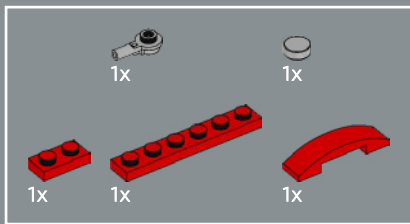


223

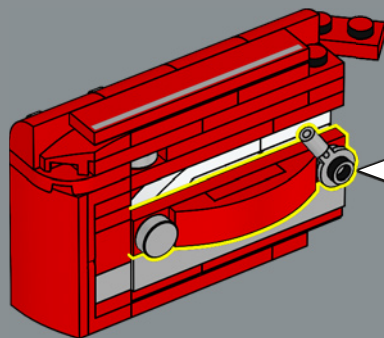
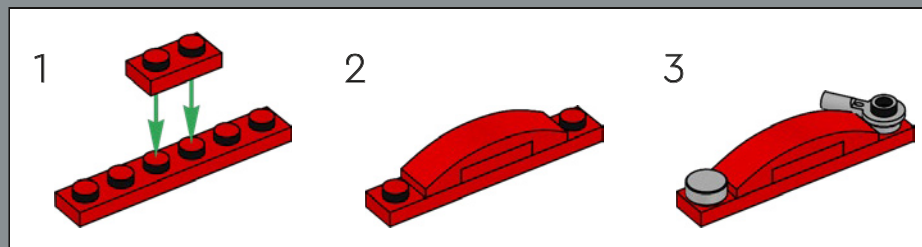


224

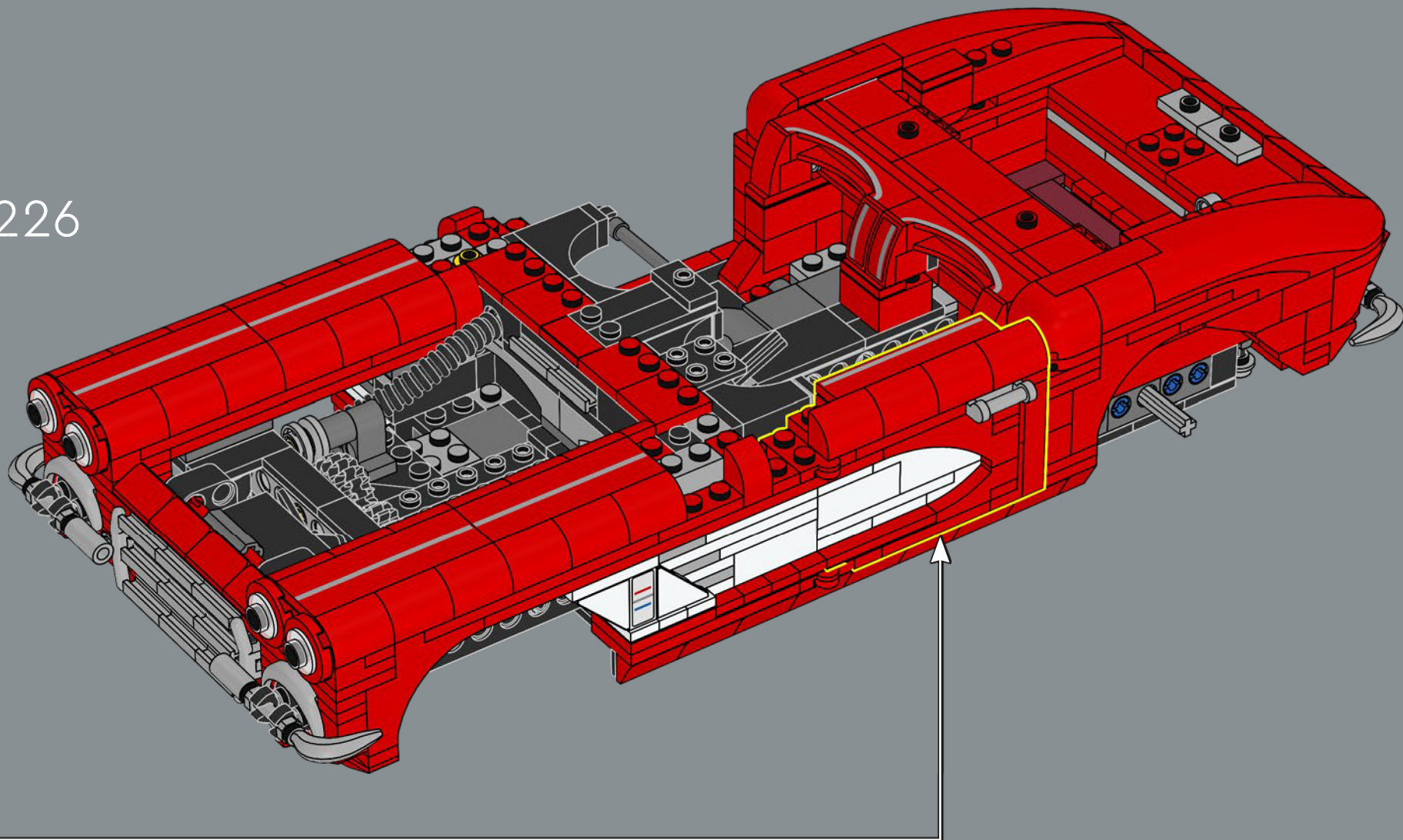


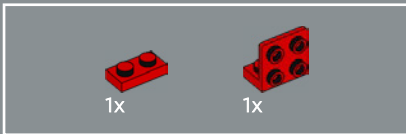
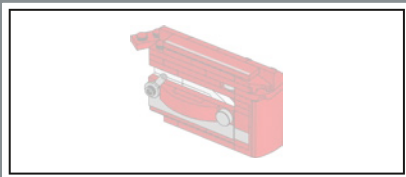


225

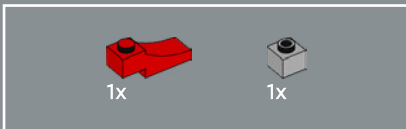
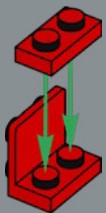


226

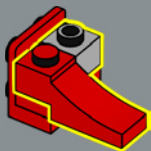




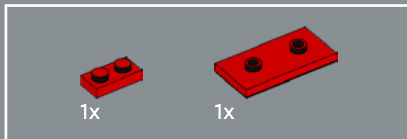
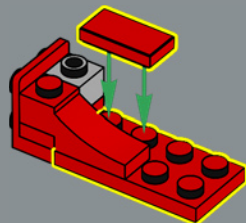
227



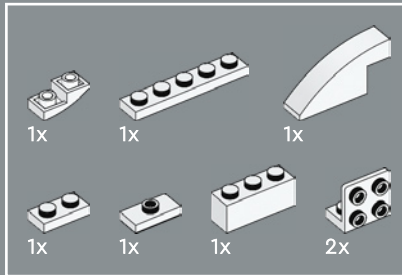
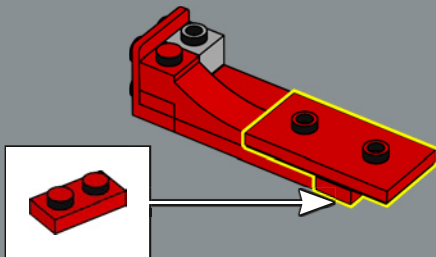
228



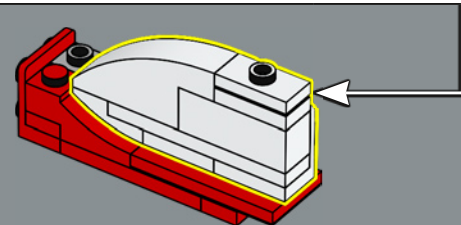
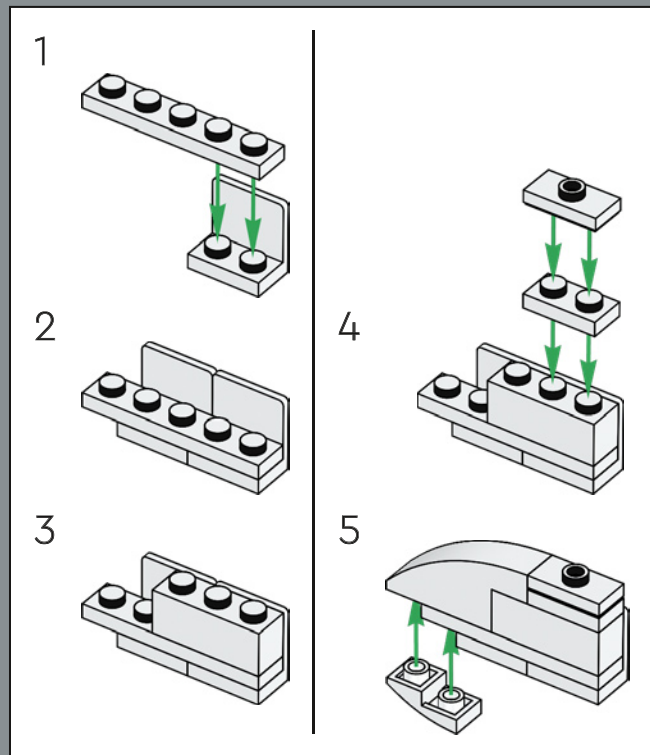
229

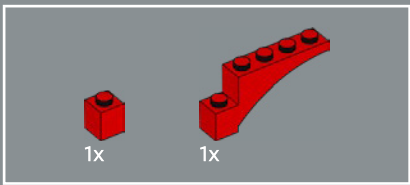


230

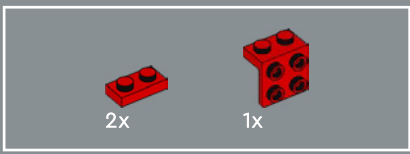
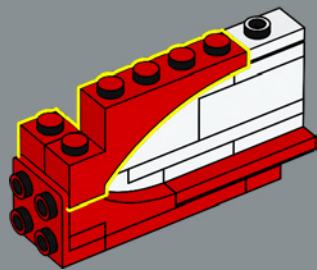


231

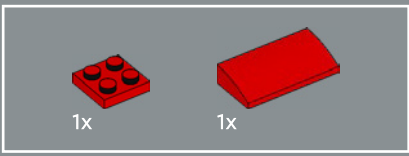
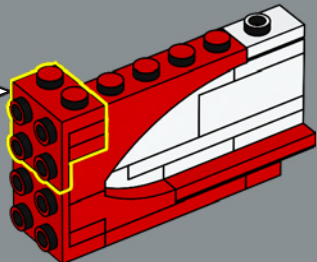
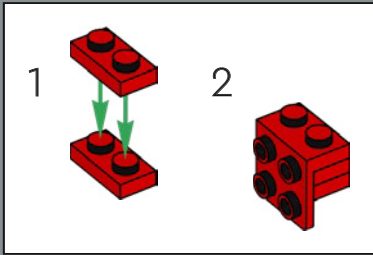




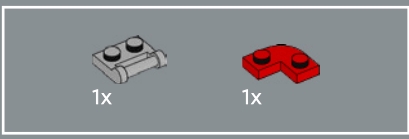
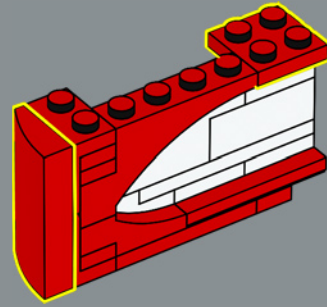
232



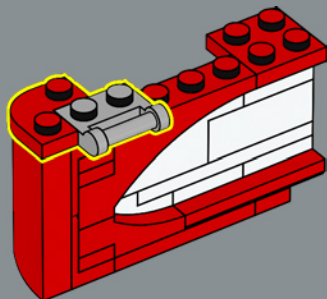
233



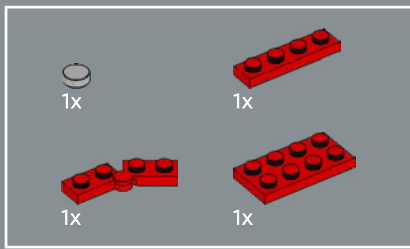
234



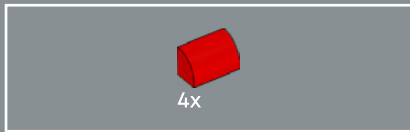
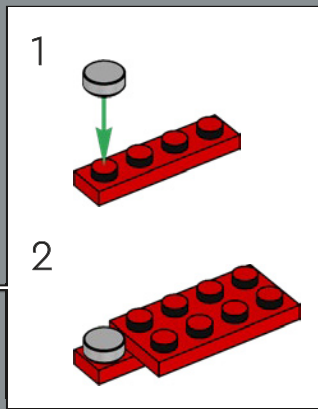
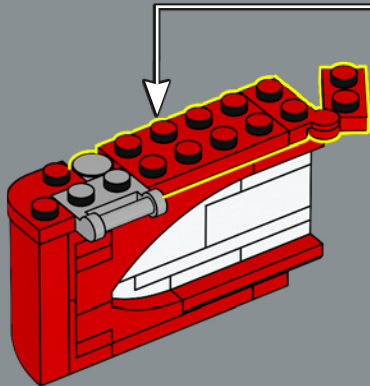
235



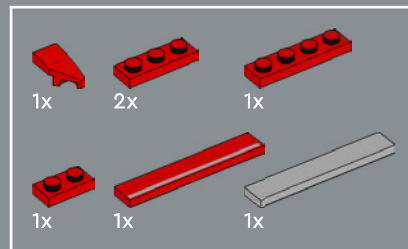
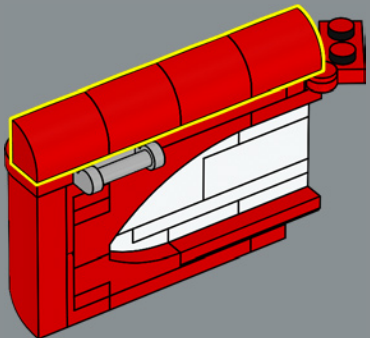




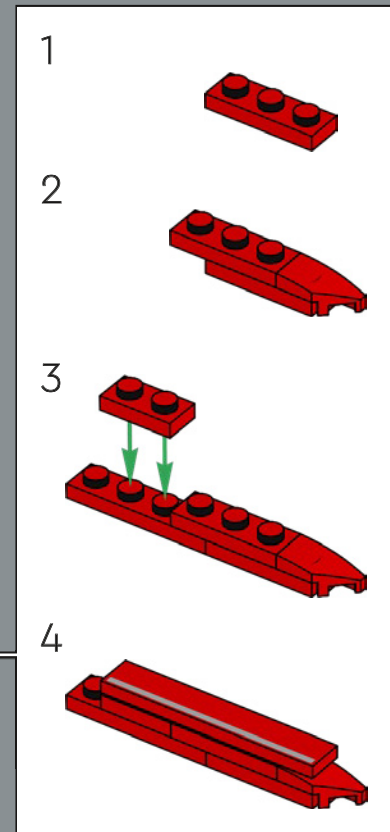
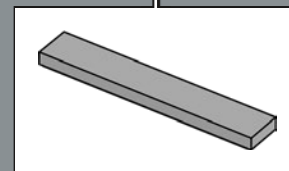
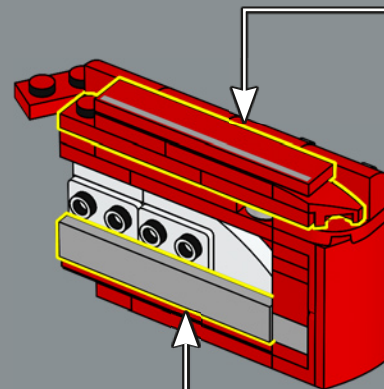
236

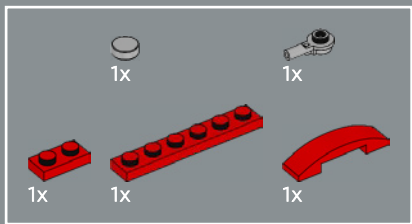


237

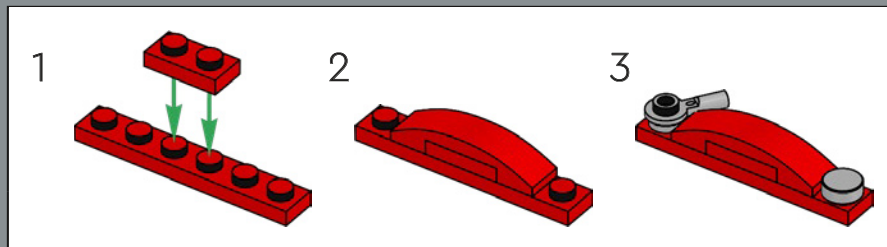
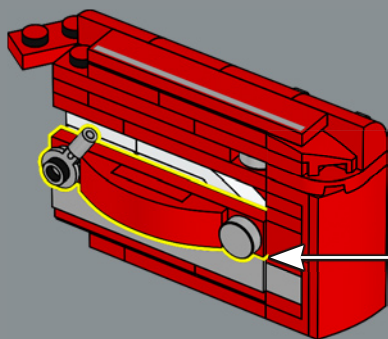


238





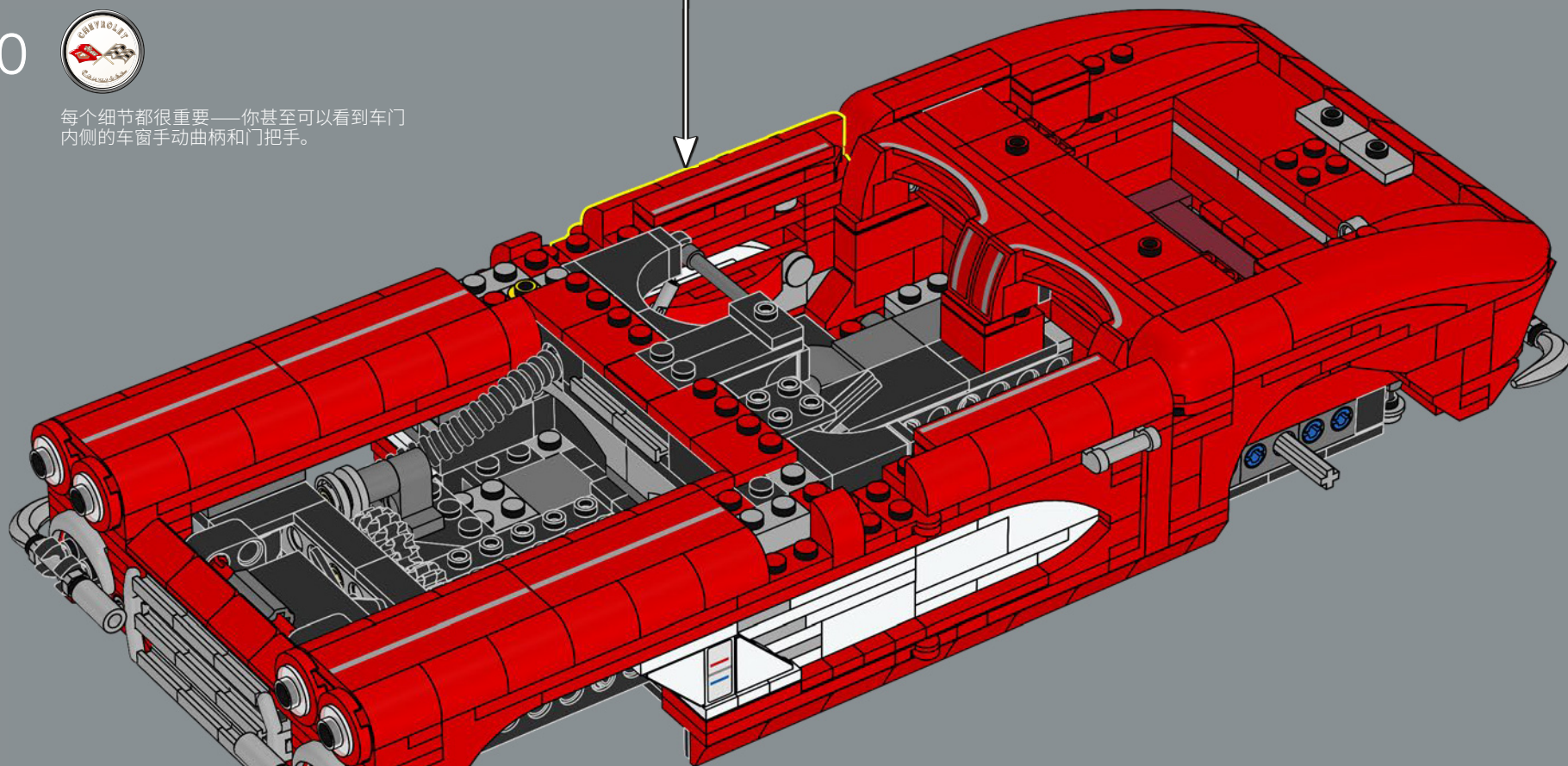
239

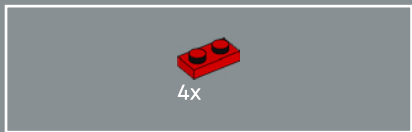


240

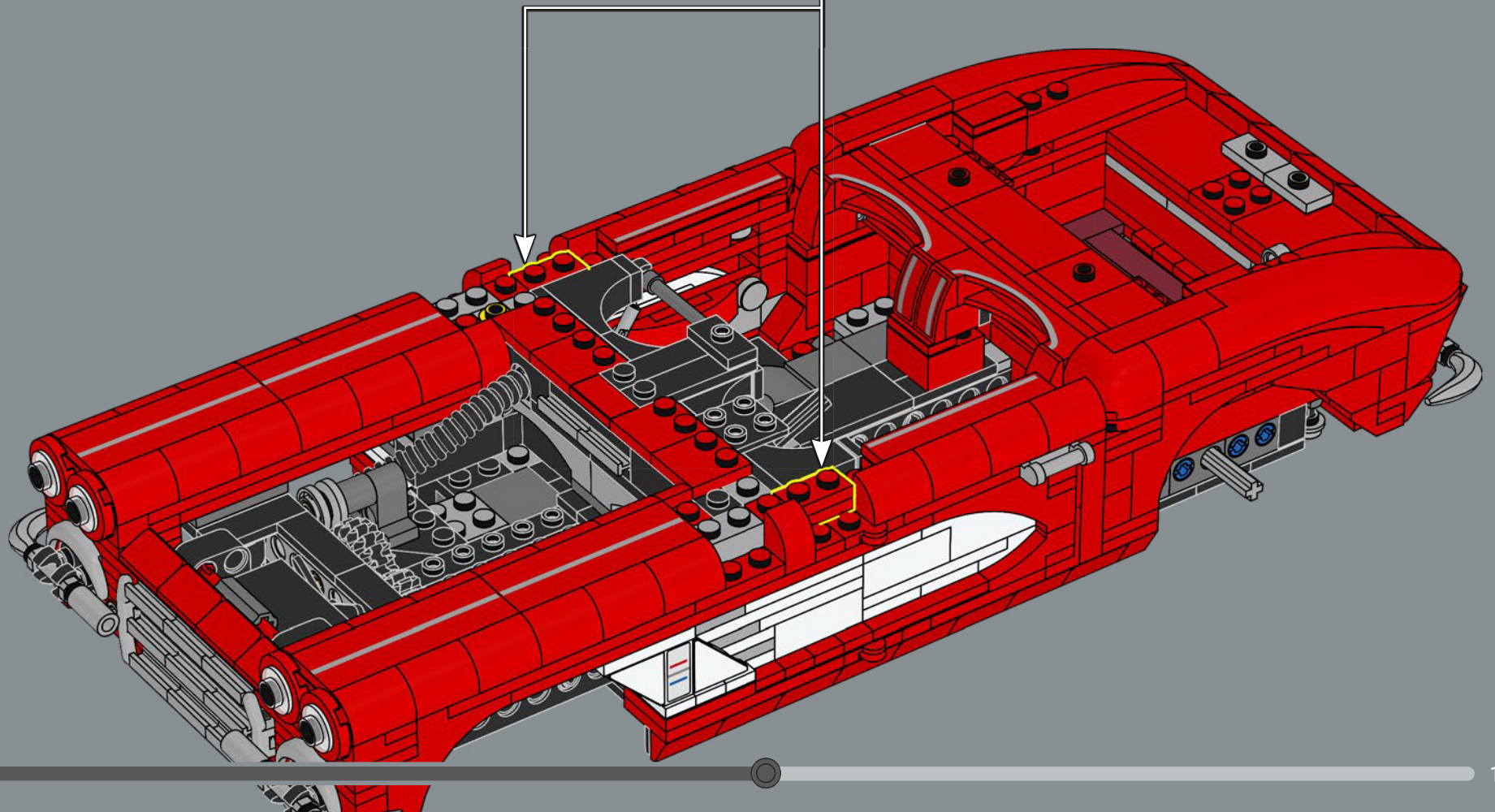
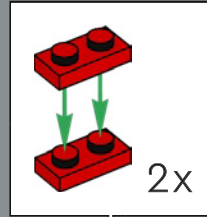


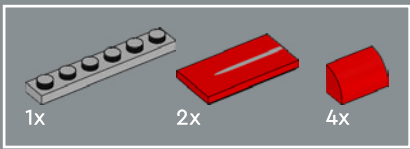
每个细节都很重要——你甚至可以看到车门内侧的车窗手动曲柄和门把手。



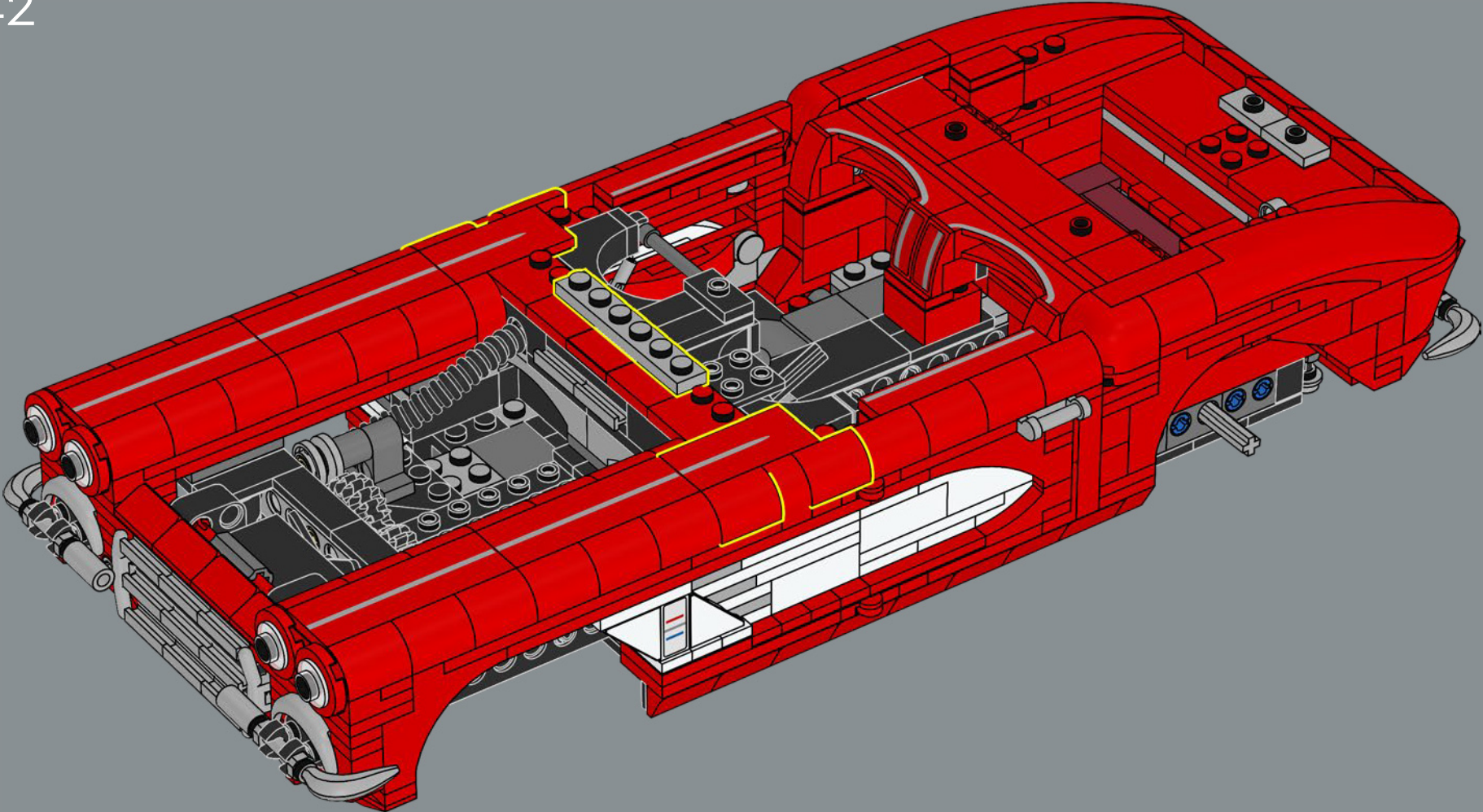


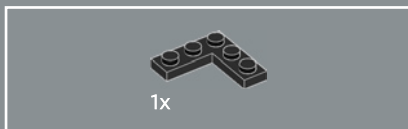
241



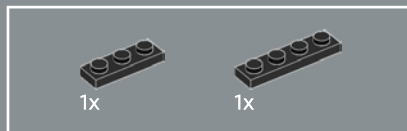
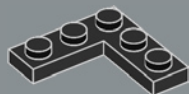


242

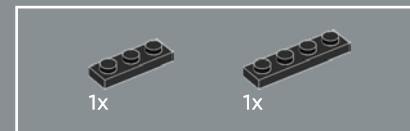
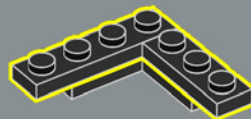




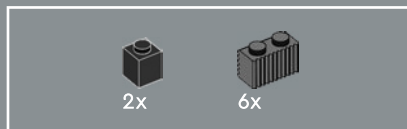
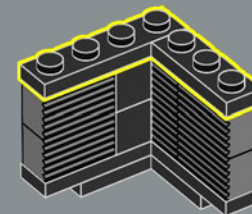
243



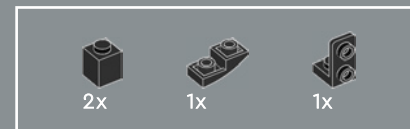
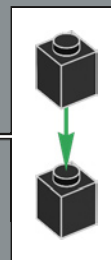
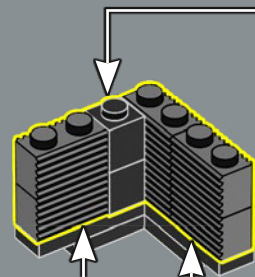
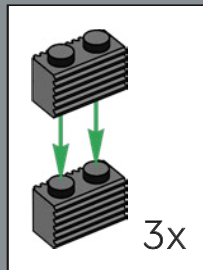
244



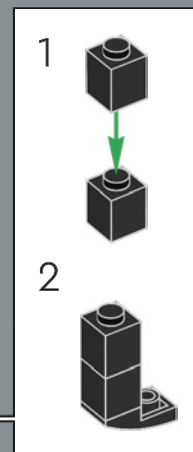
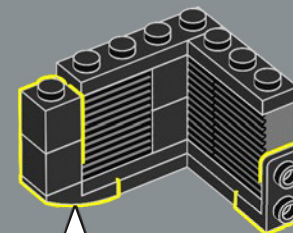
246

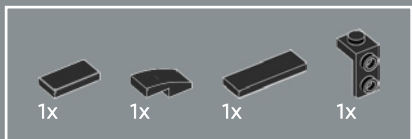


245

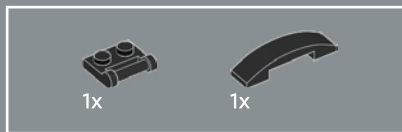
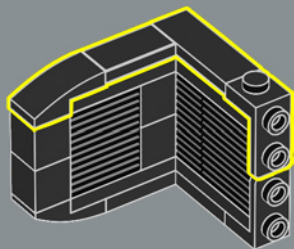


247

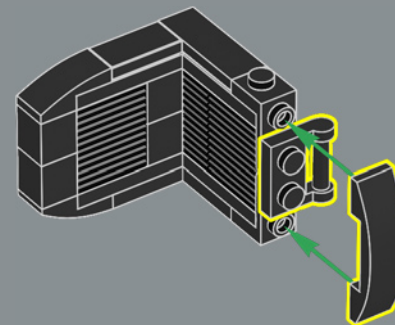




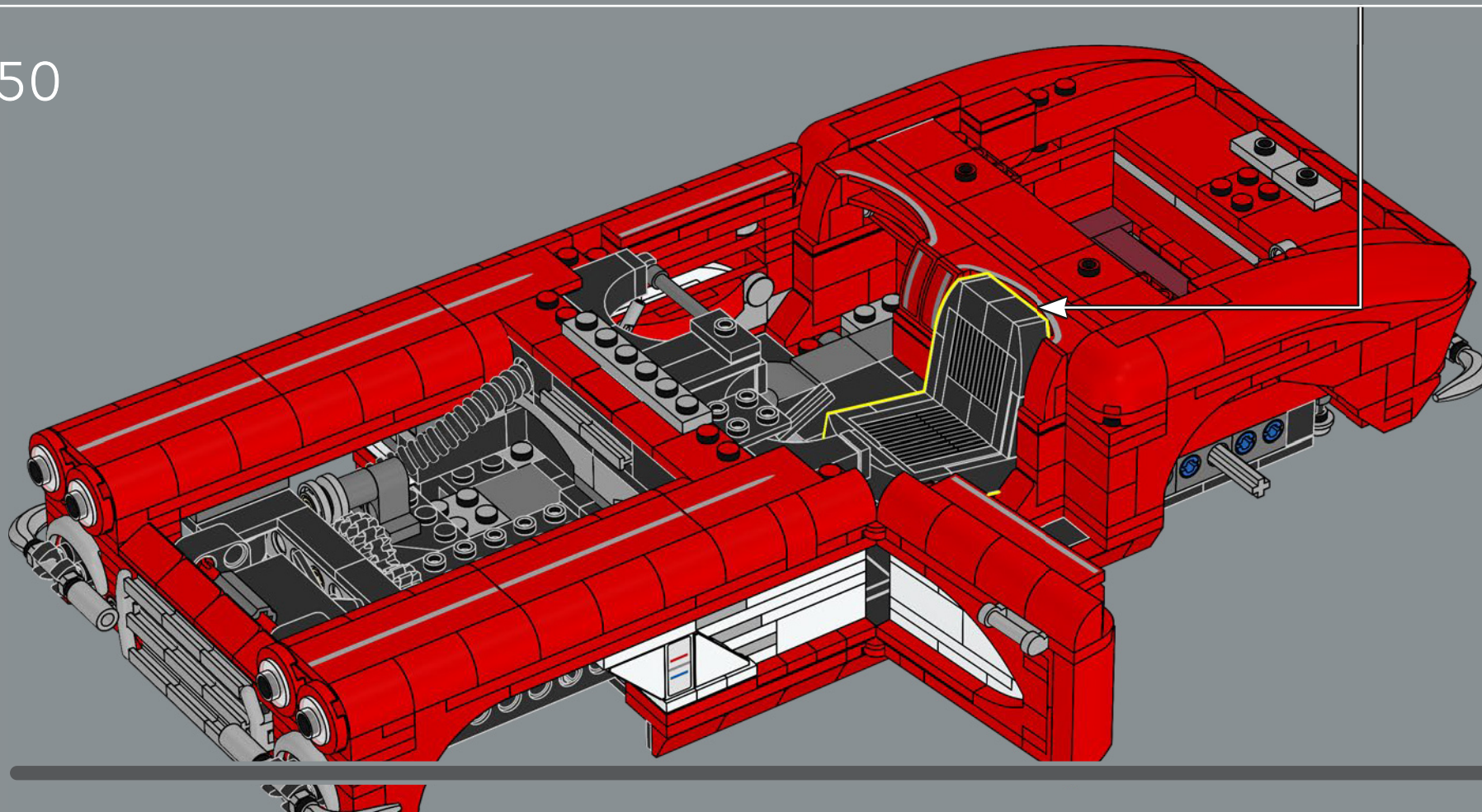
248

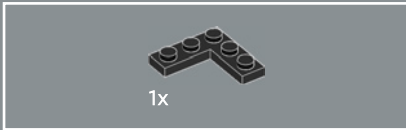
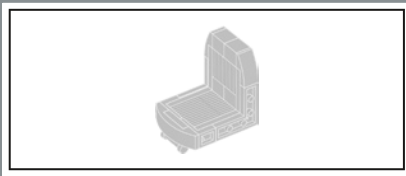


249

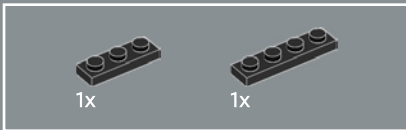
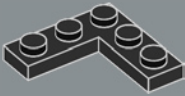


250

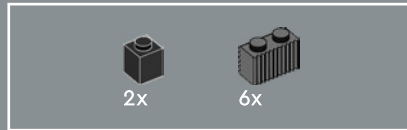
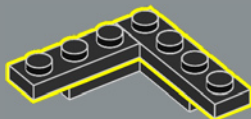




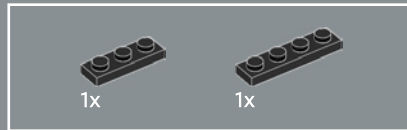
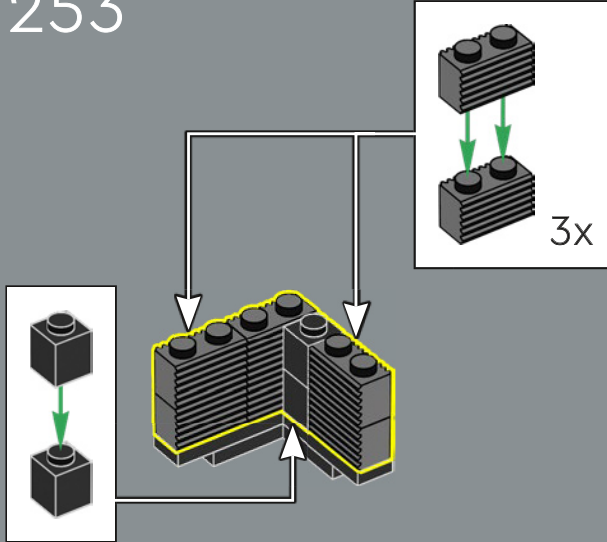
251



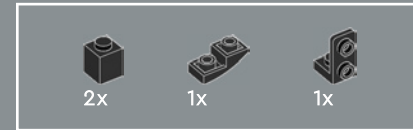
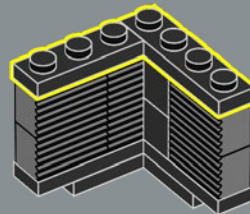
252



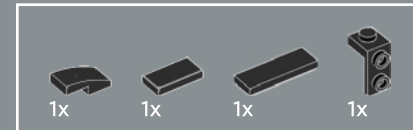
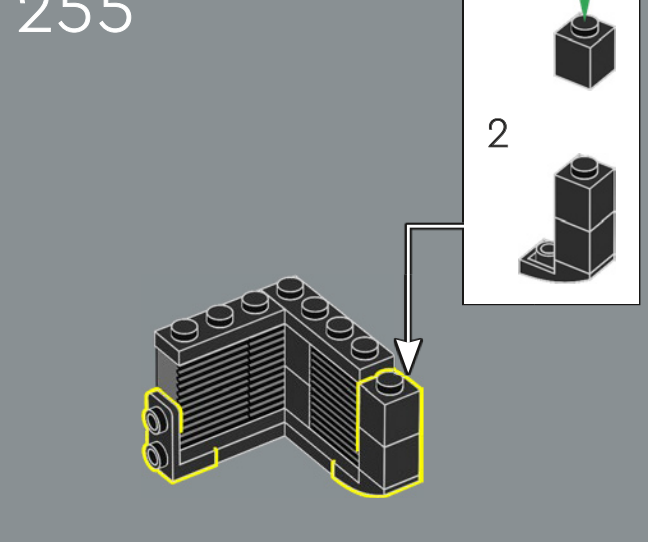
253



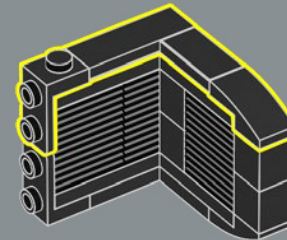
254

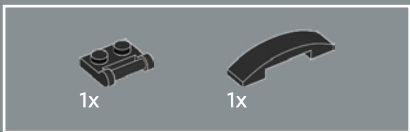


255

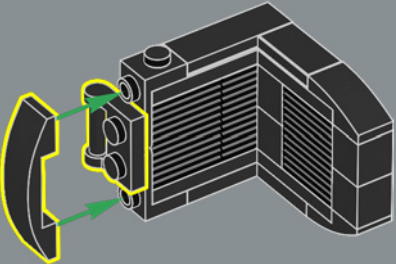


256

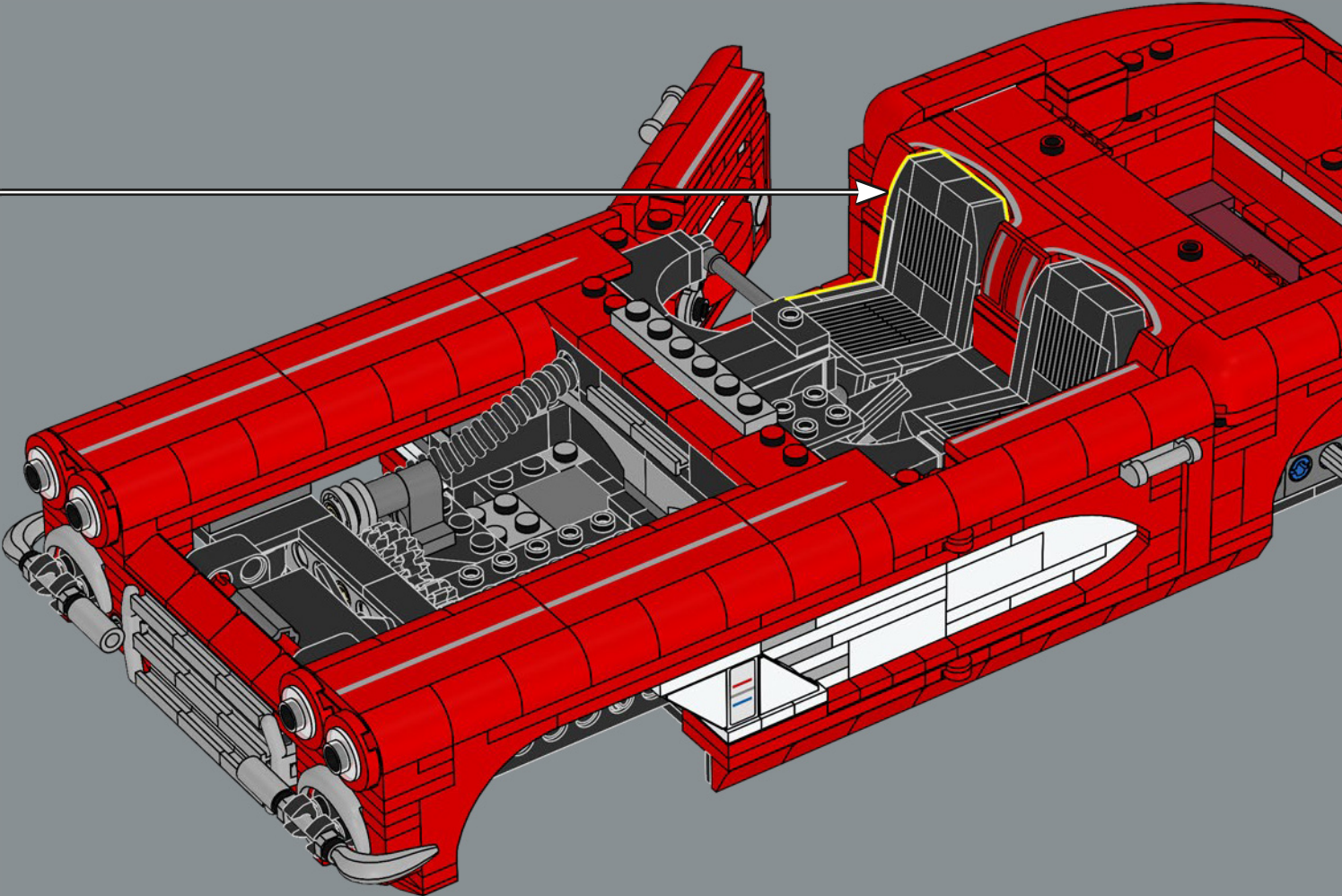




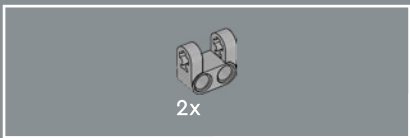
257



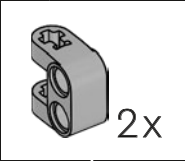
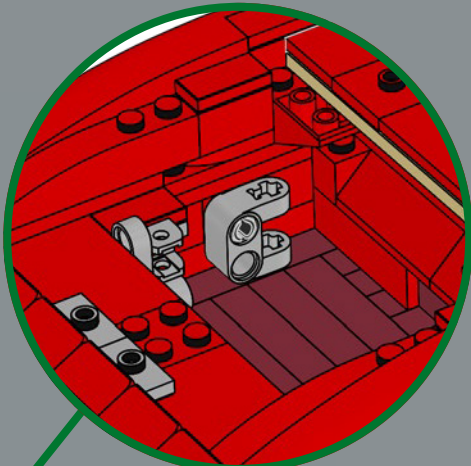
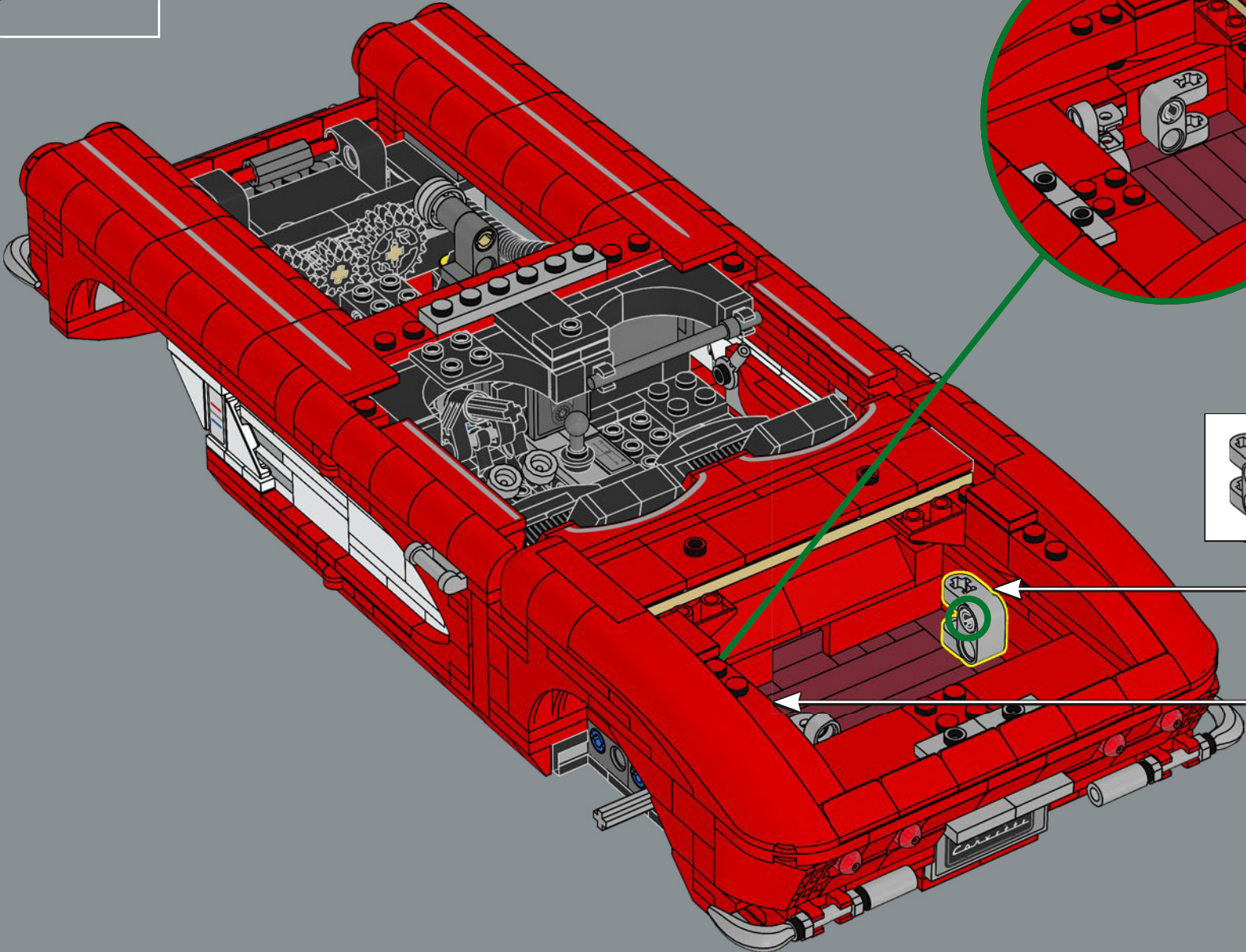
258

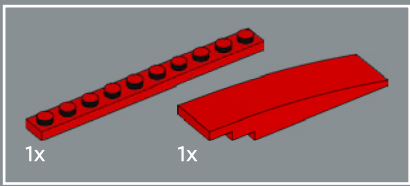




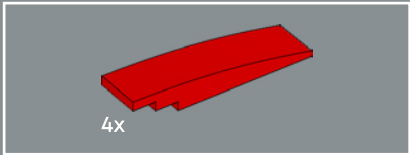
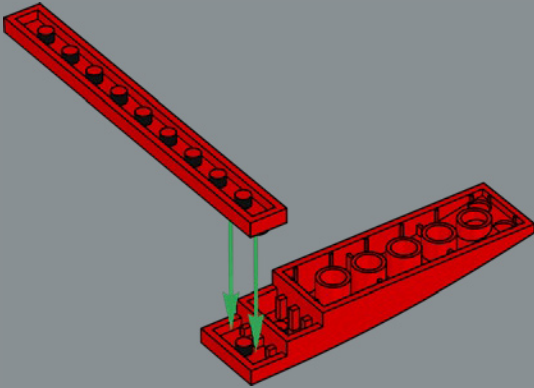


259

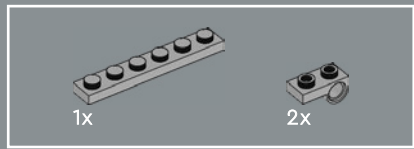
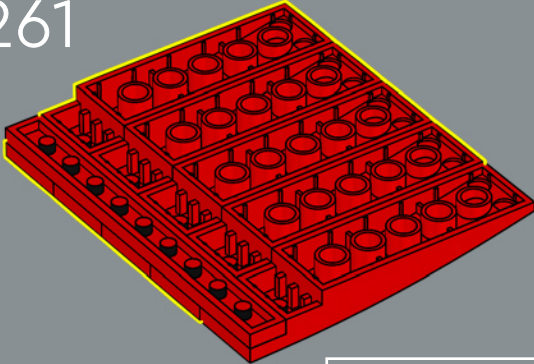




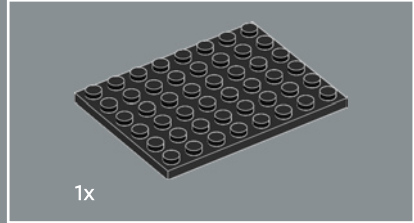
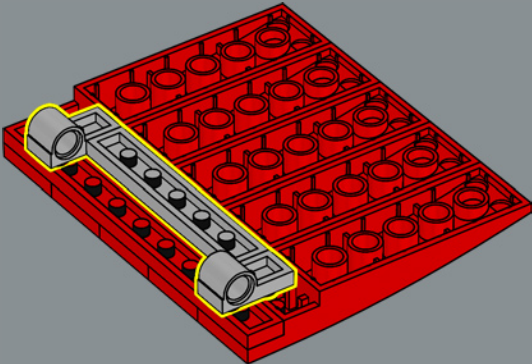
260



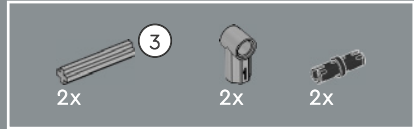
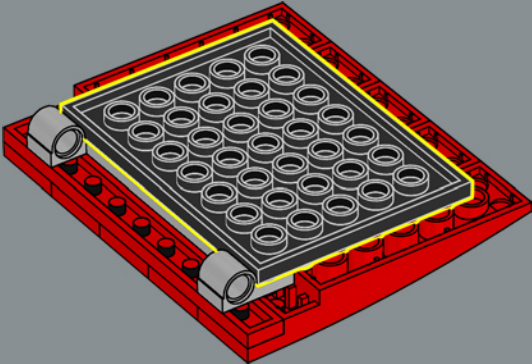
261



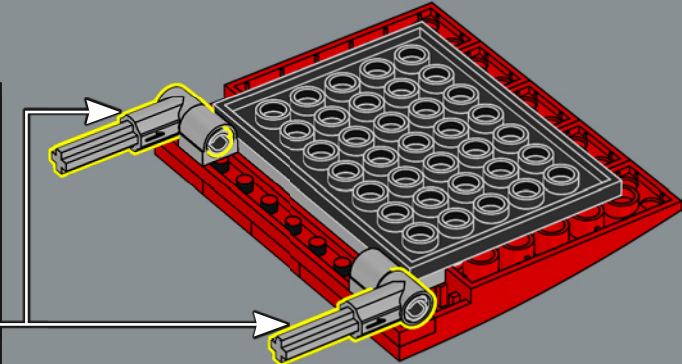
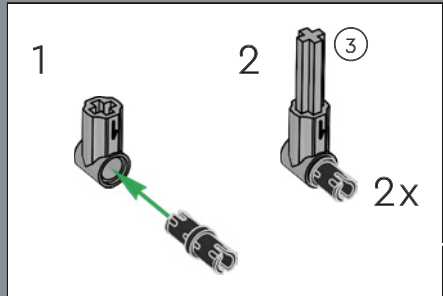
262



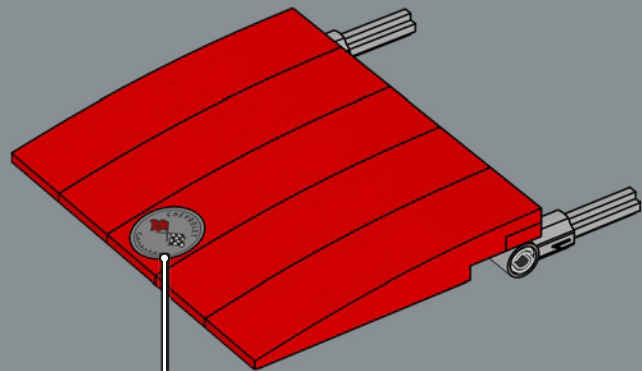
263



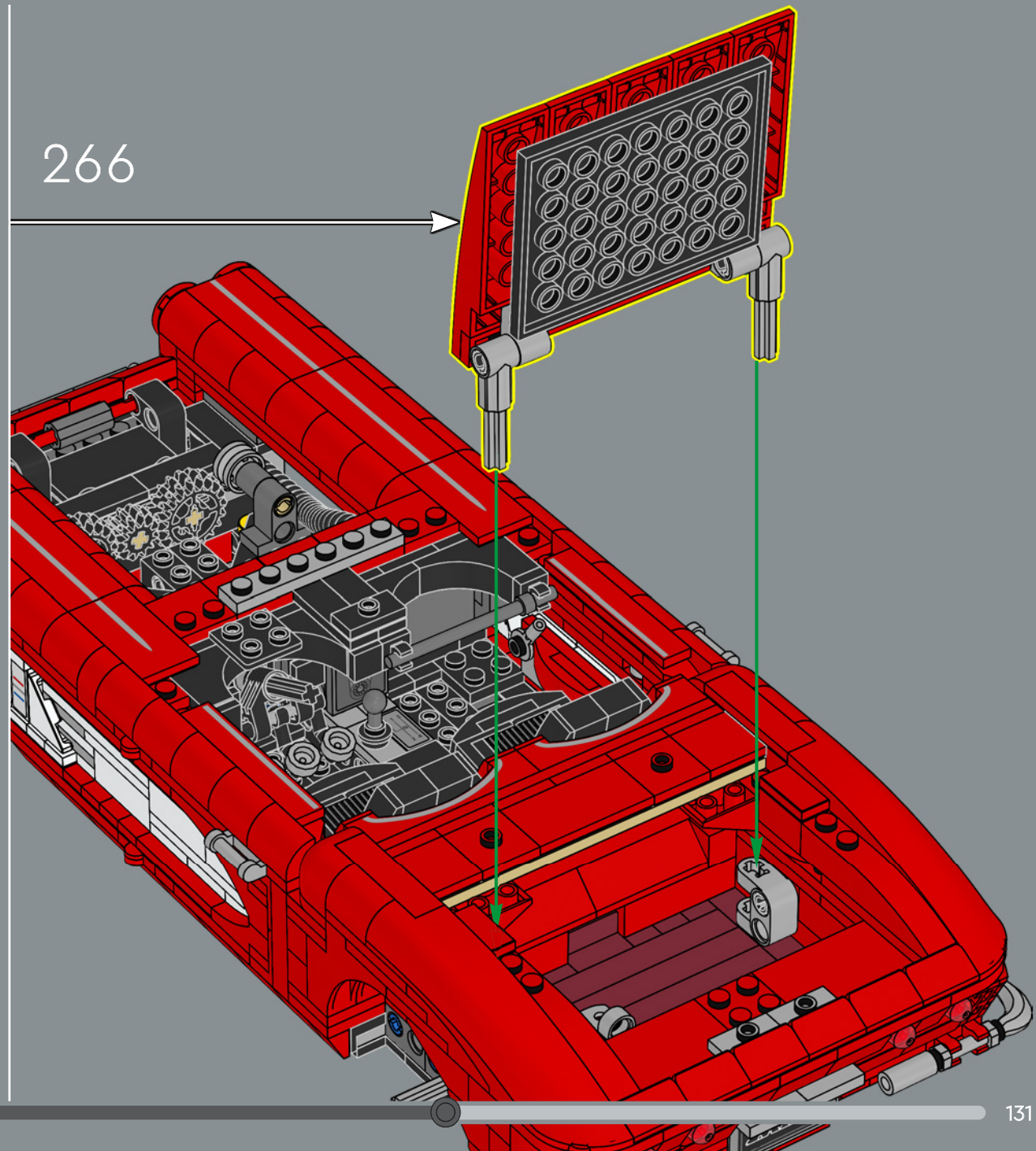
264

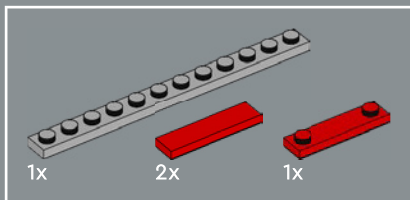


265



266

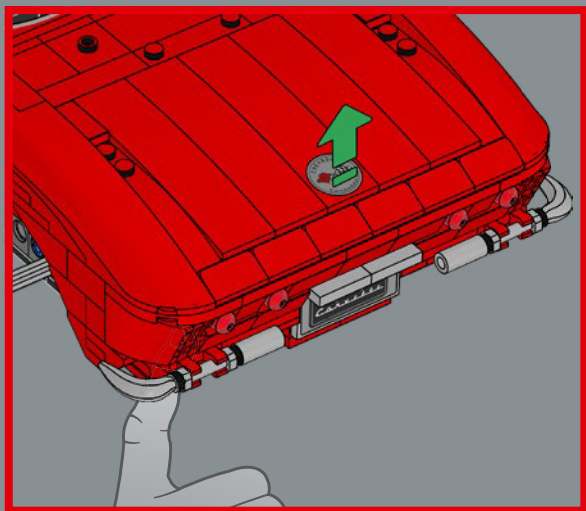
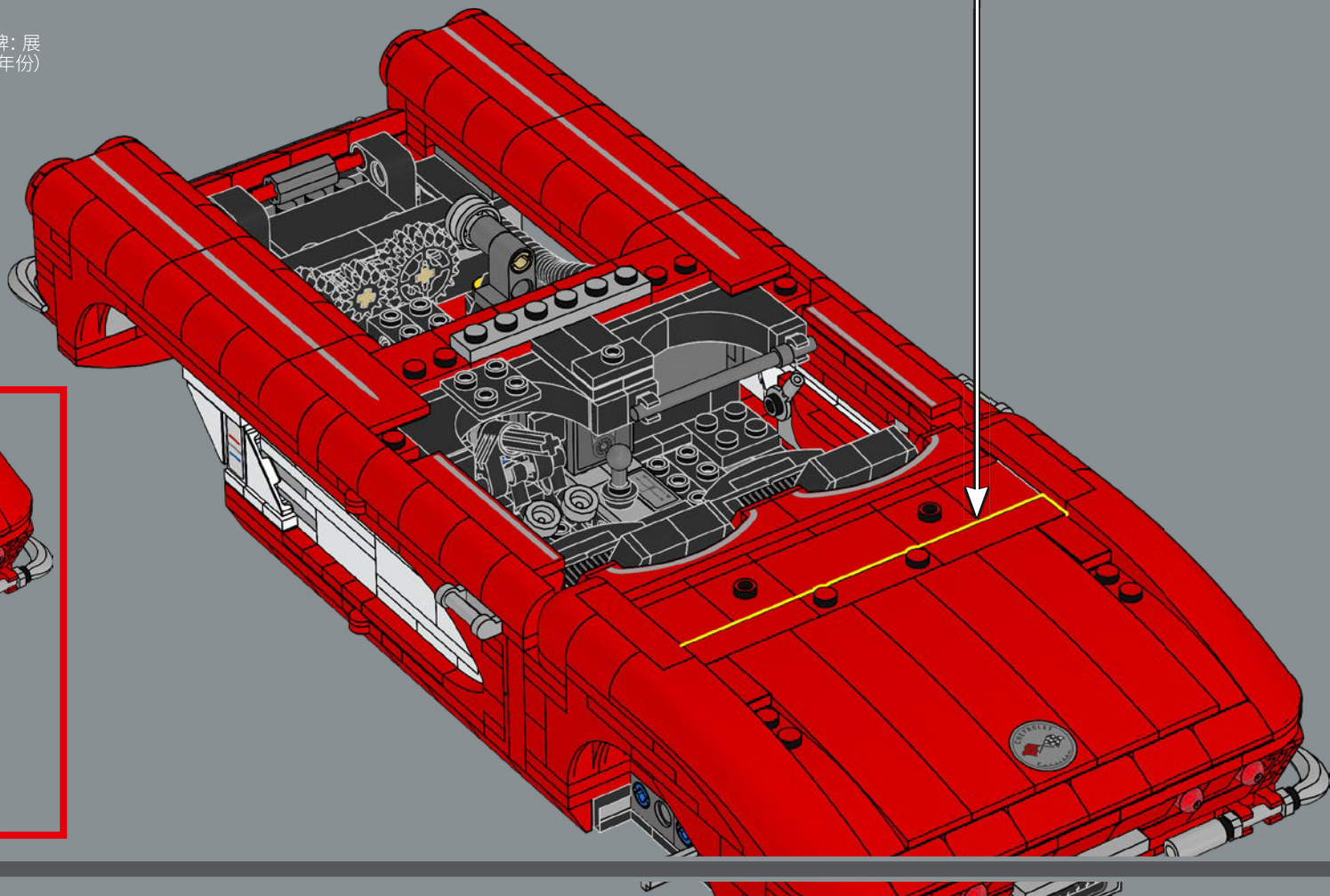
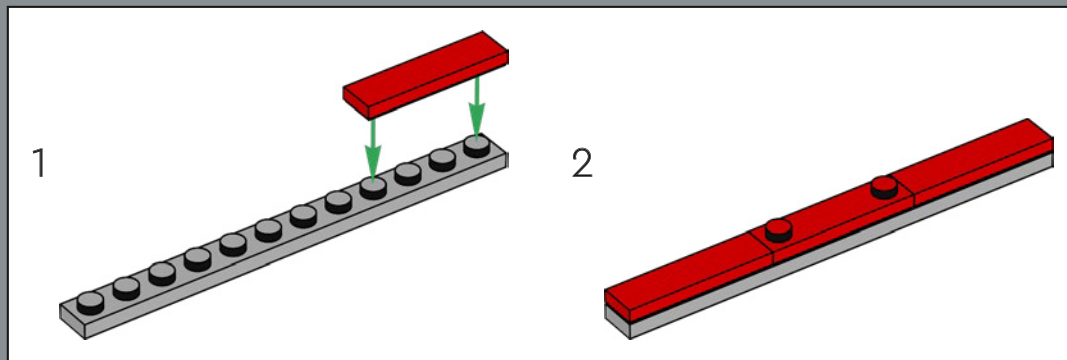


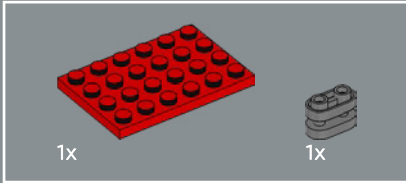
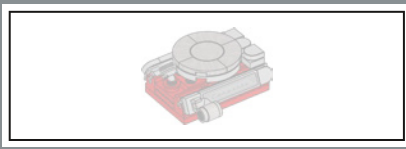


267

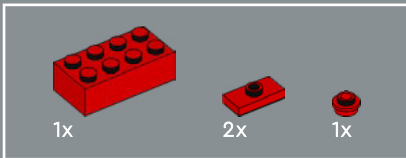
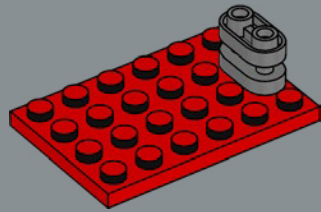


行李箱很大，适合家庭使用，还可以挂上不同的车牌：展厅版车牌、加利福尼亚车牌（C1 1961 - 车型和发布年份）和密歇根车牌（通用汽车所在地）。

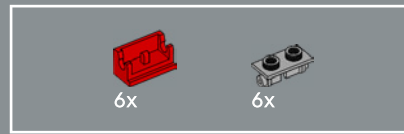
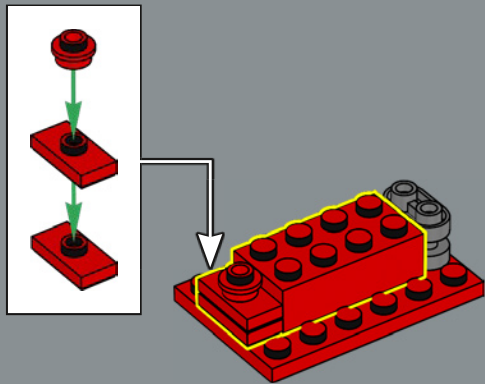




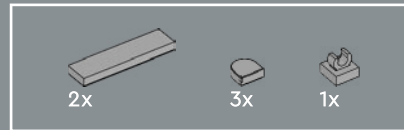
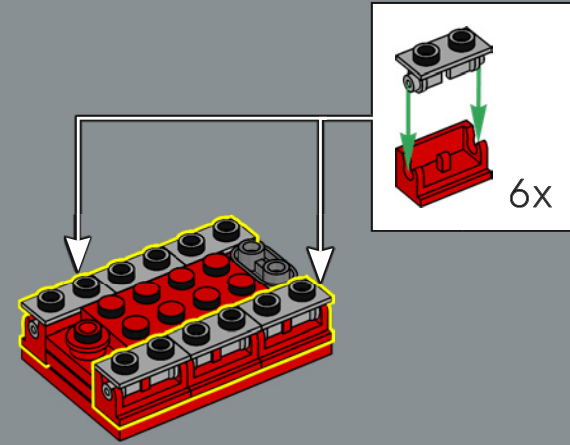
268



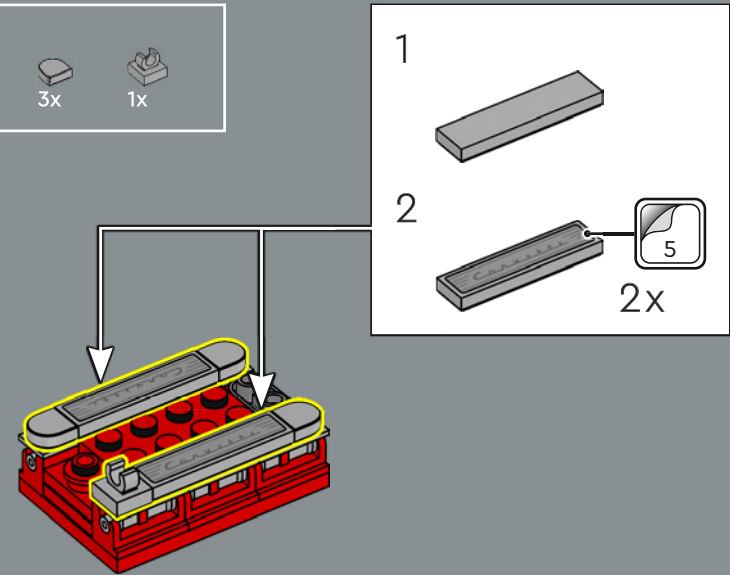
269

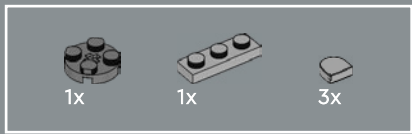


270

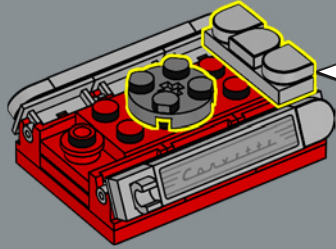
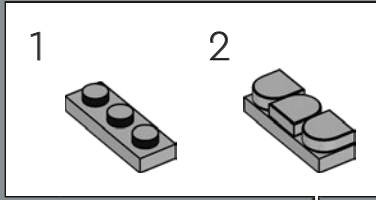


271

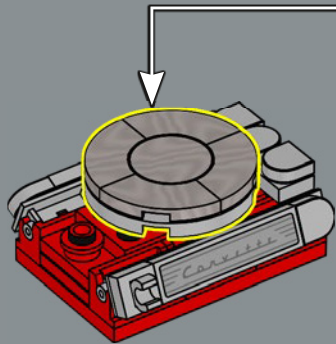
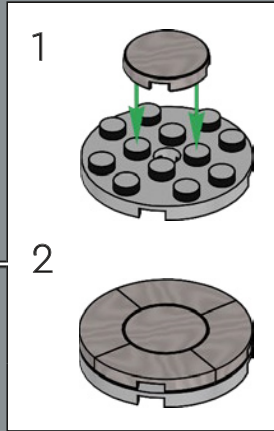




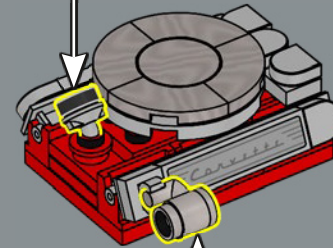
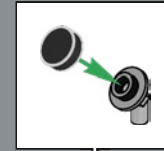
272



273



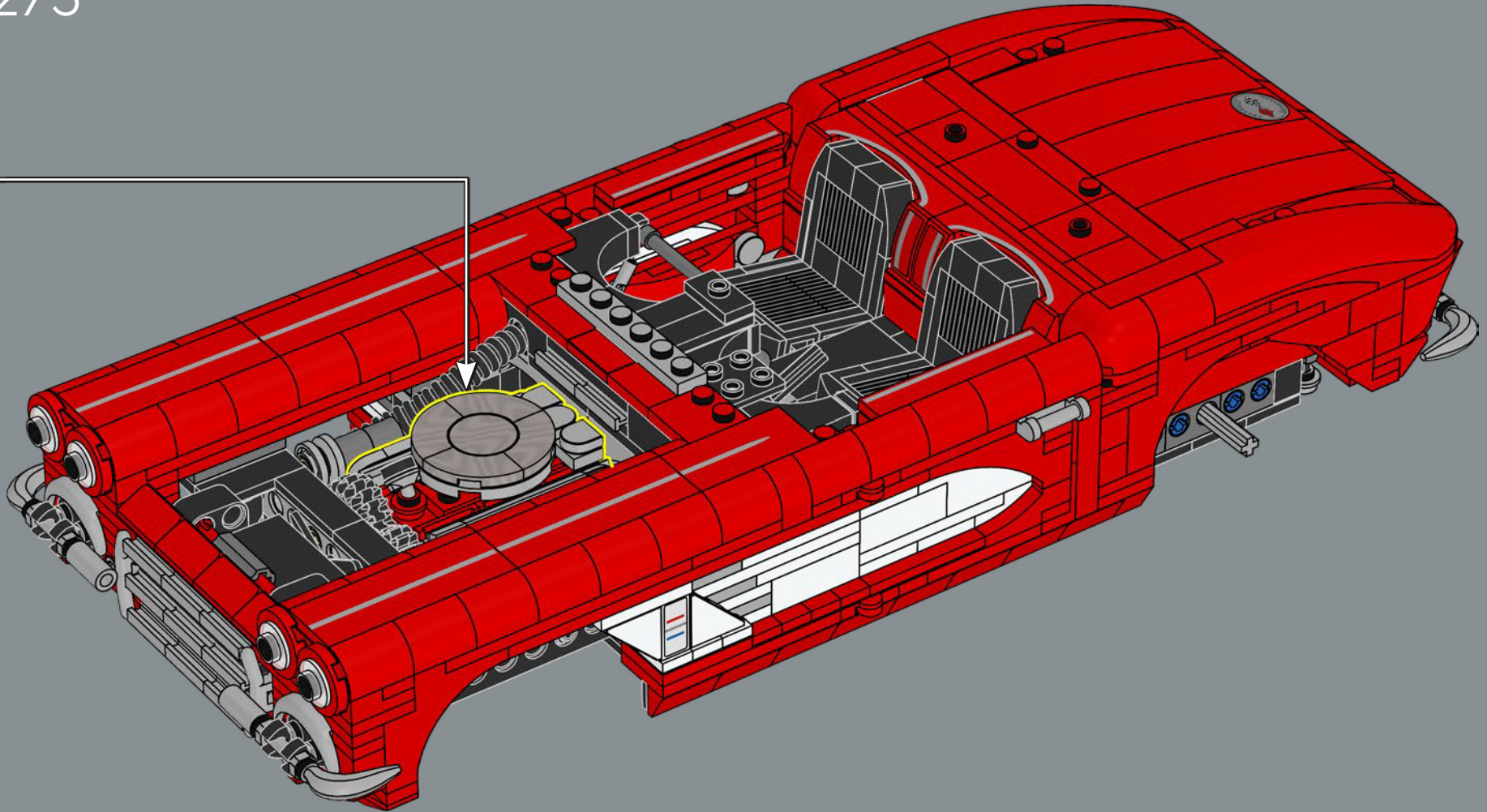
274

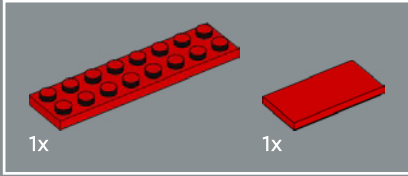
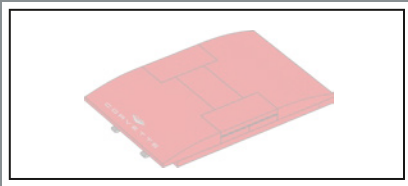




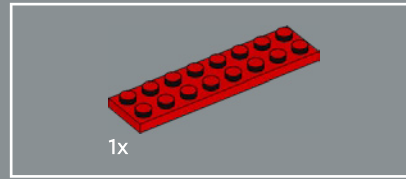
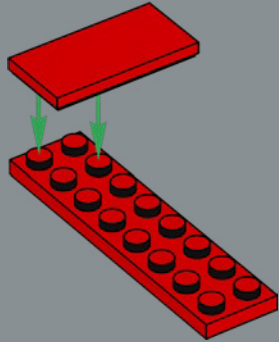
275

发动机舱可容纳导风管、可以工作的散热风扇、机油滤清器、V8通用汽车发动机的发动机盖和侧面的Corvette标志。

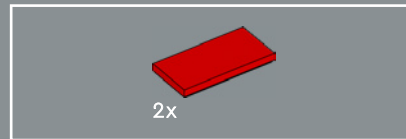
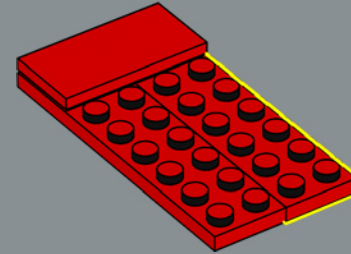




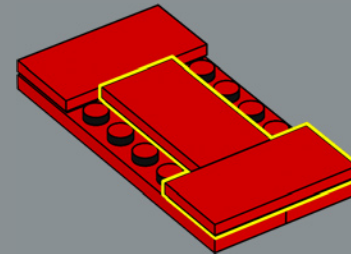
276



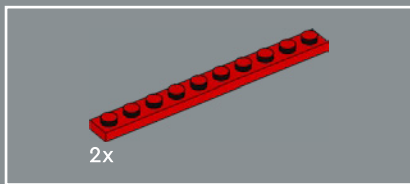
277



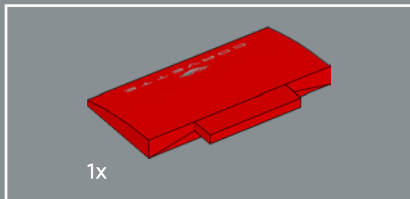
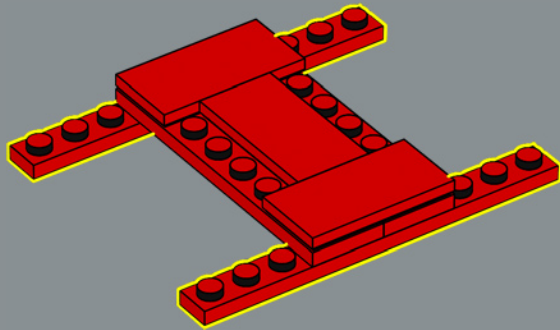
278



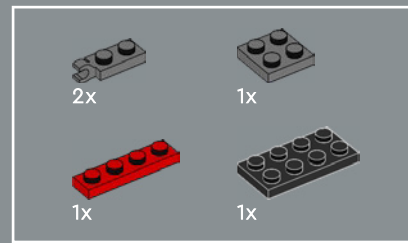
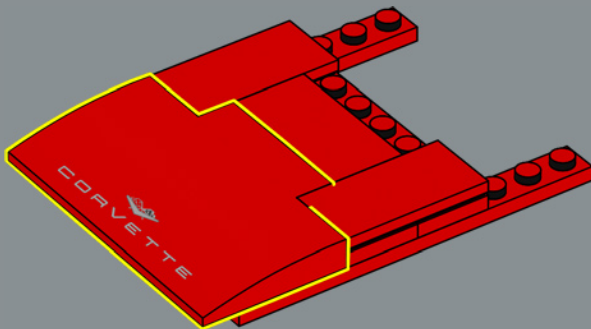




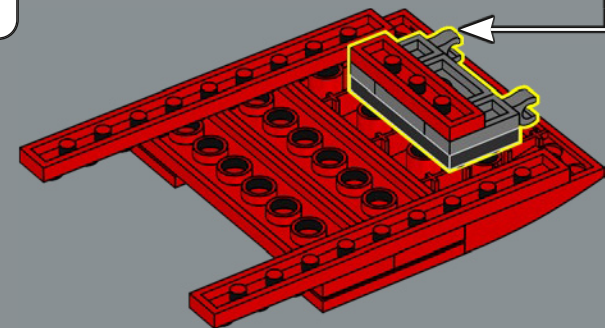
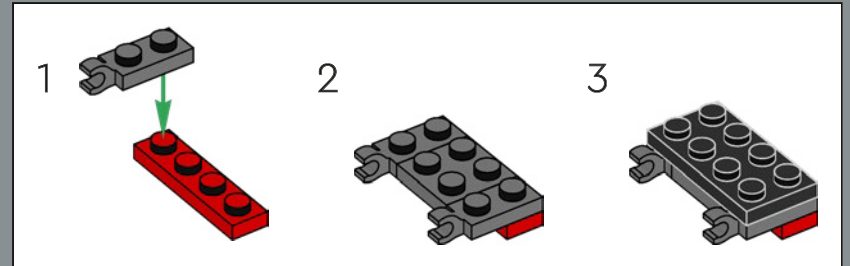
279

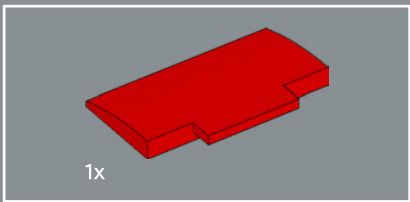


280

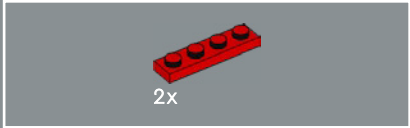
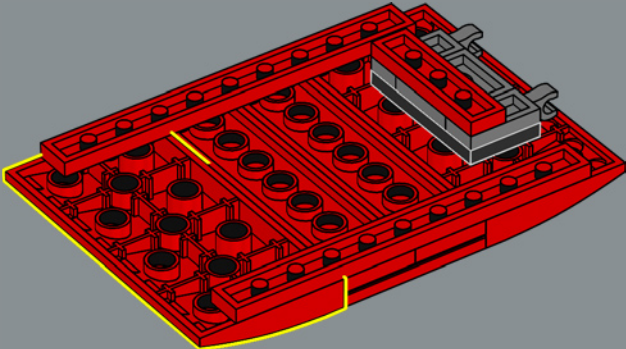


281

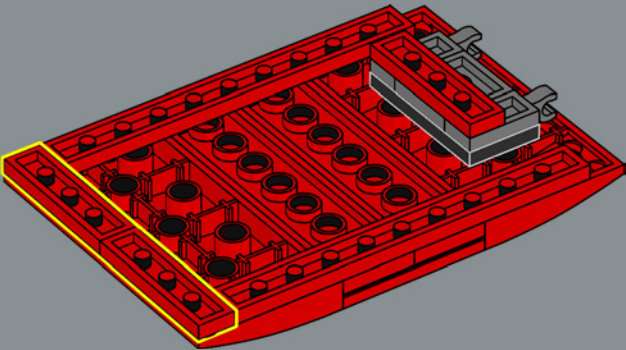




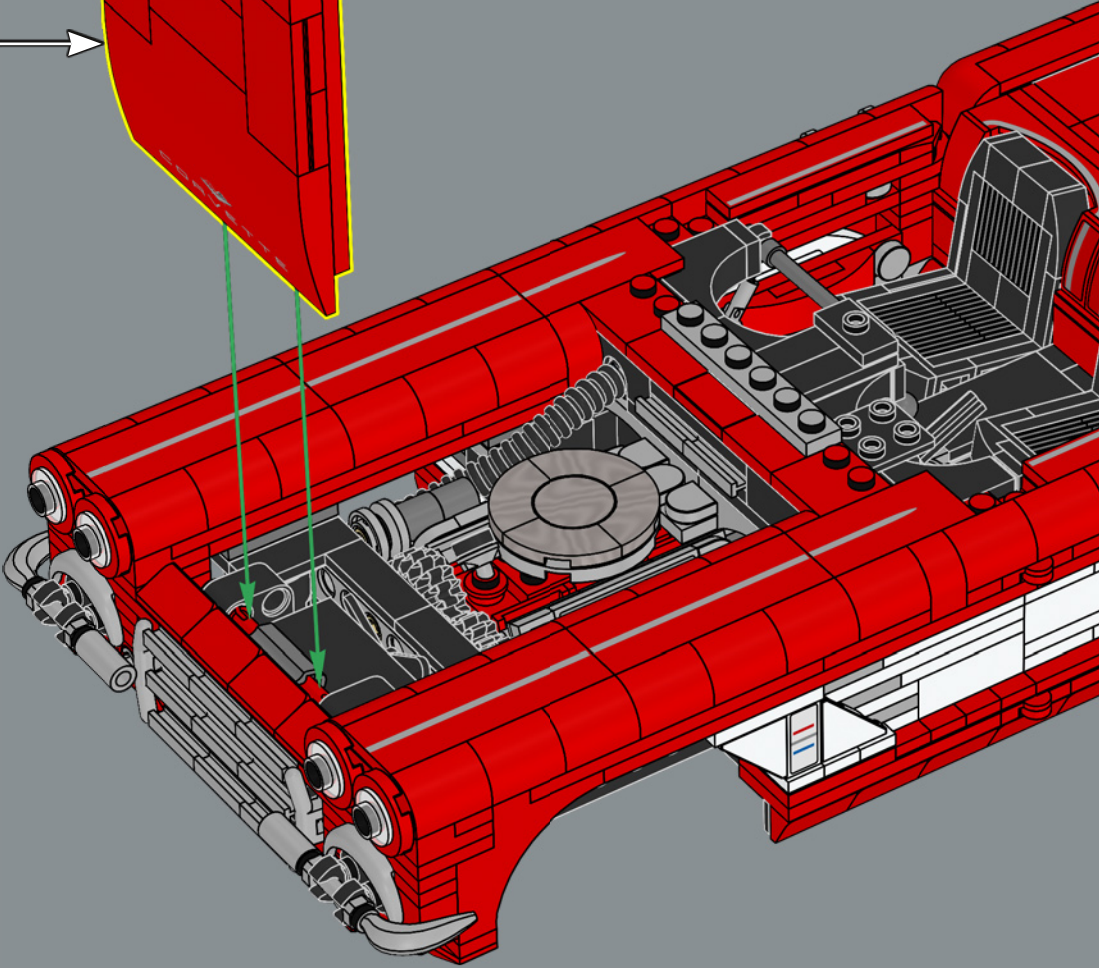
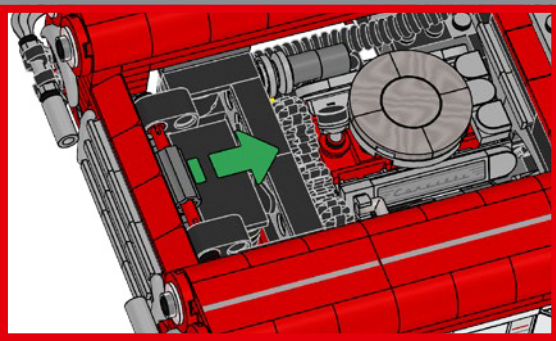
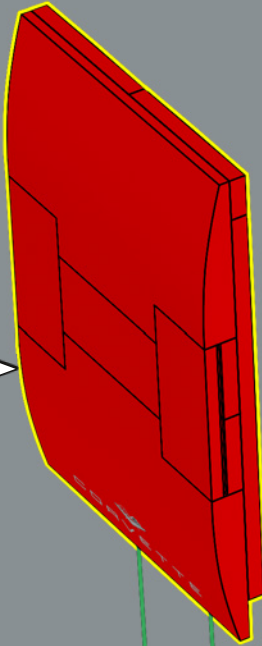
282

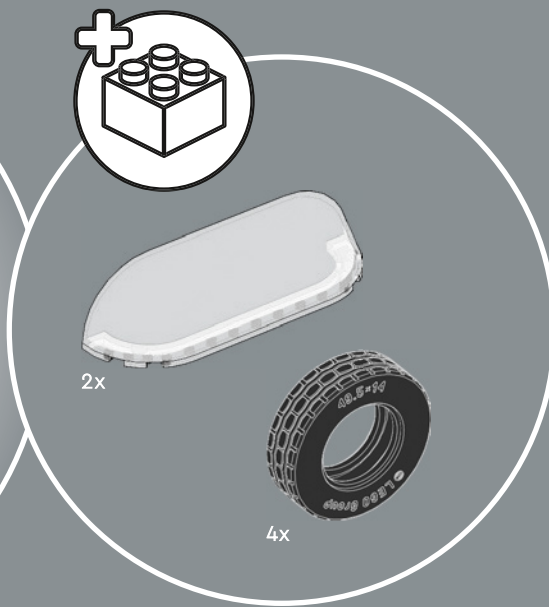


283

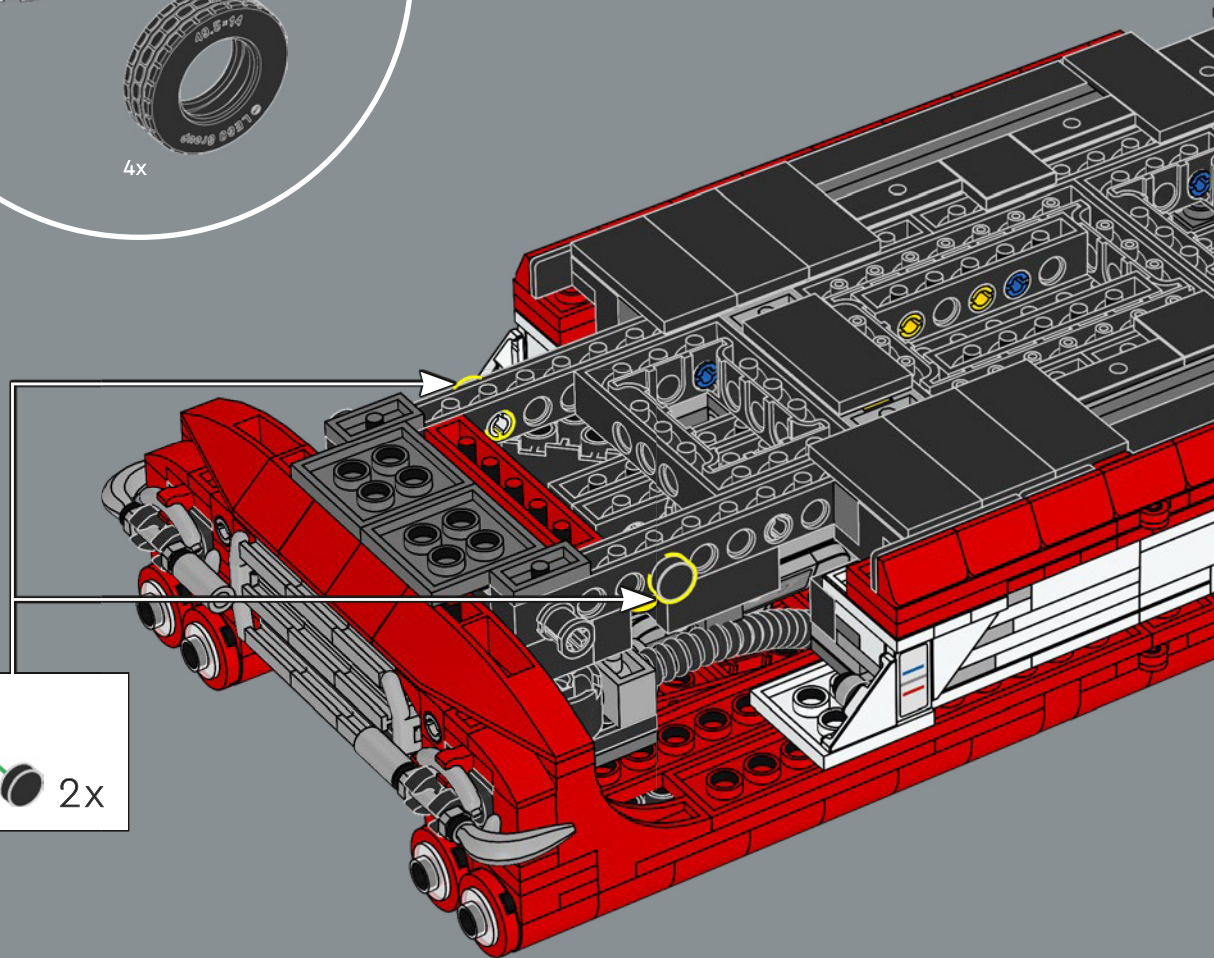


284





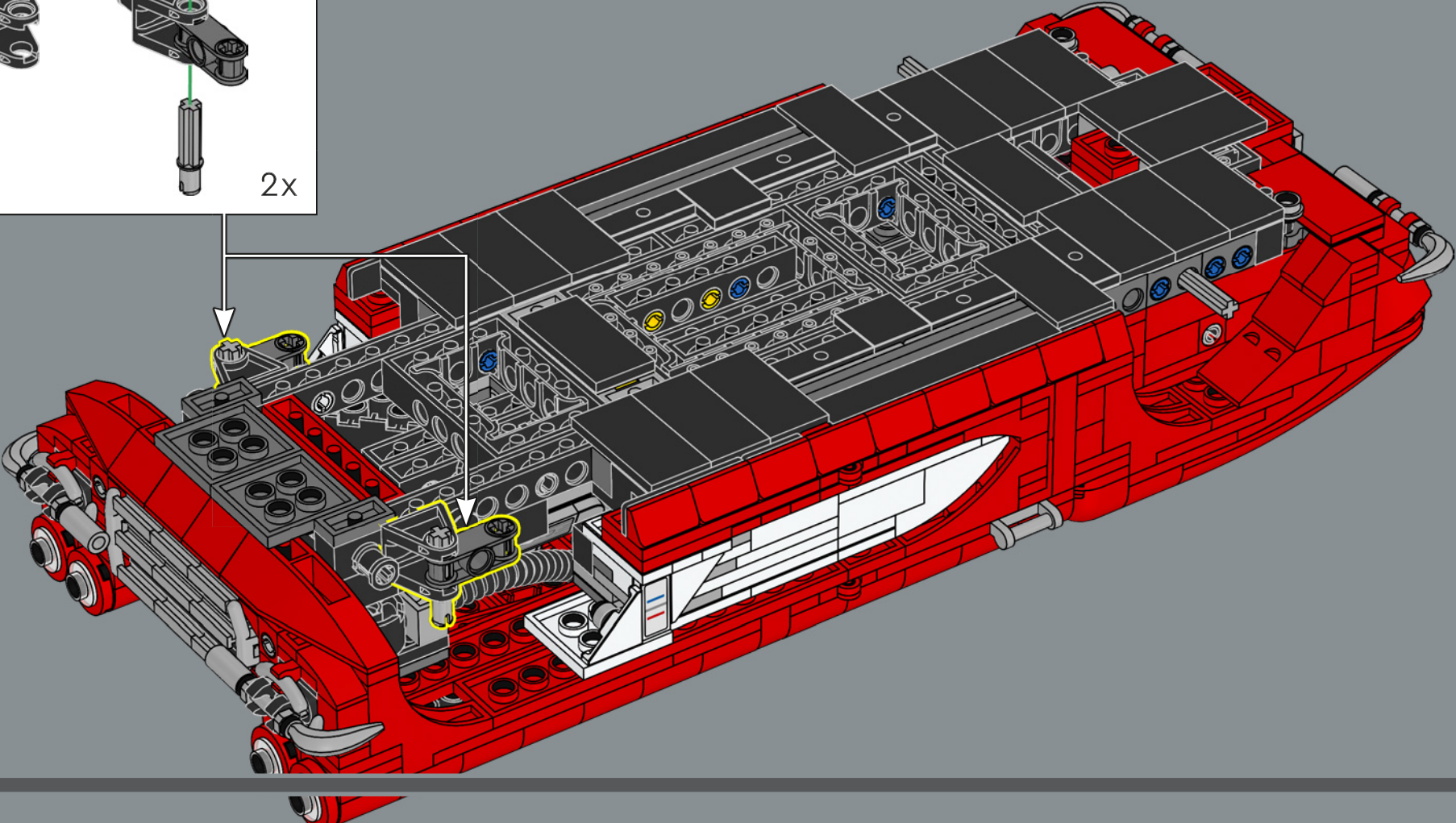
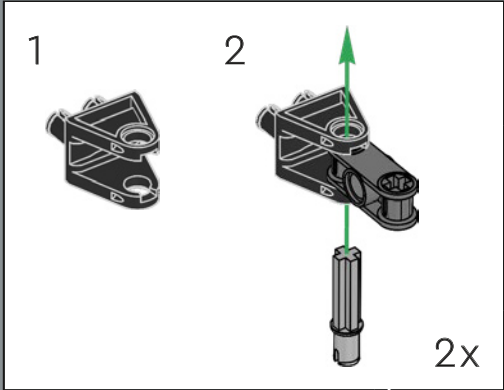
285

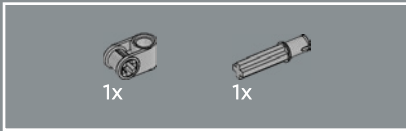
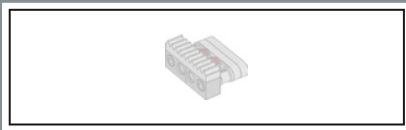


与真车一样，发动机盖从后面打开，因此它不会在高速行驶状态下突然打开。

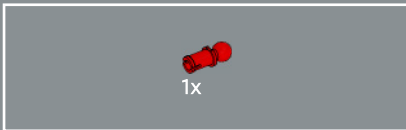
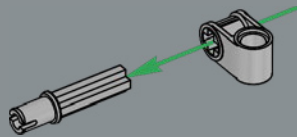


286

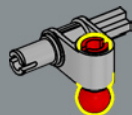




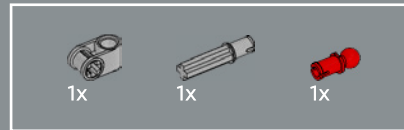
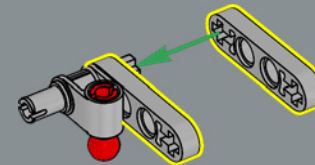
287



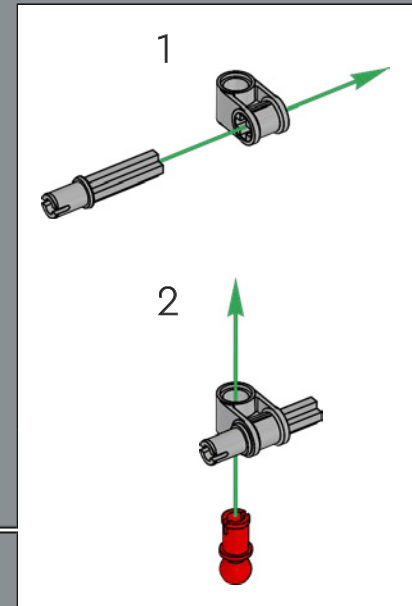
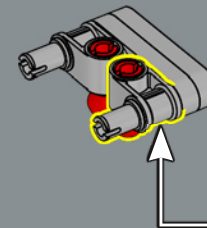
288



289



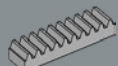
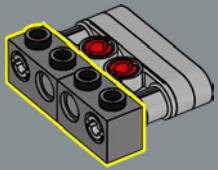
290





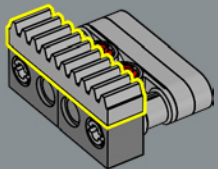
2x

291

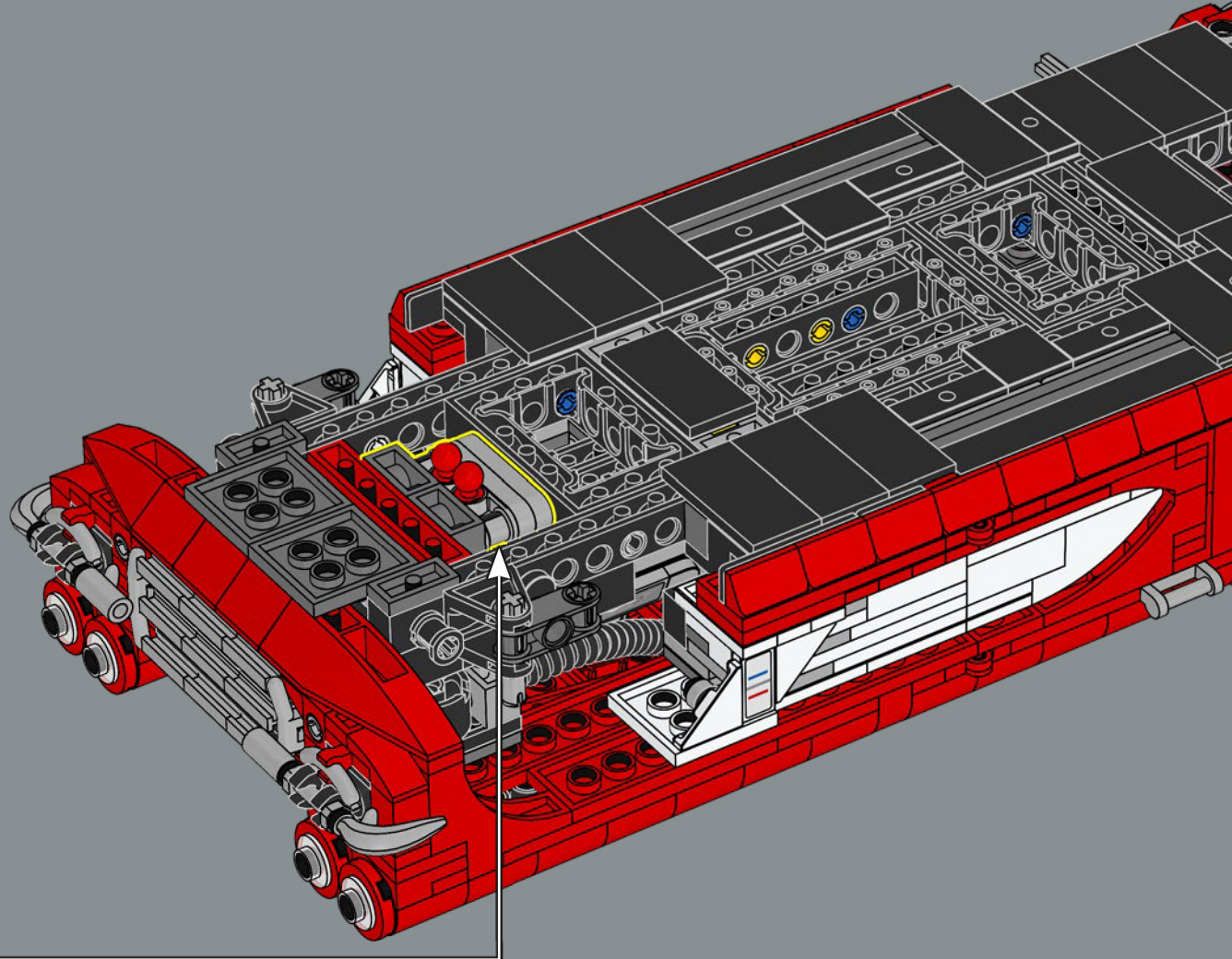


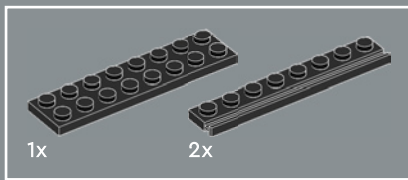
1x

292

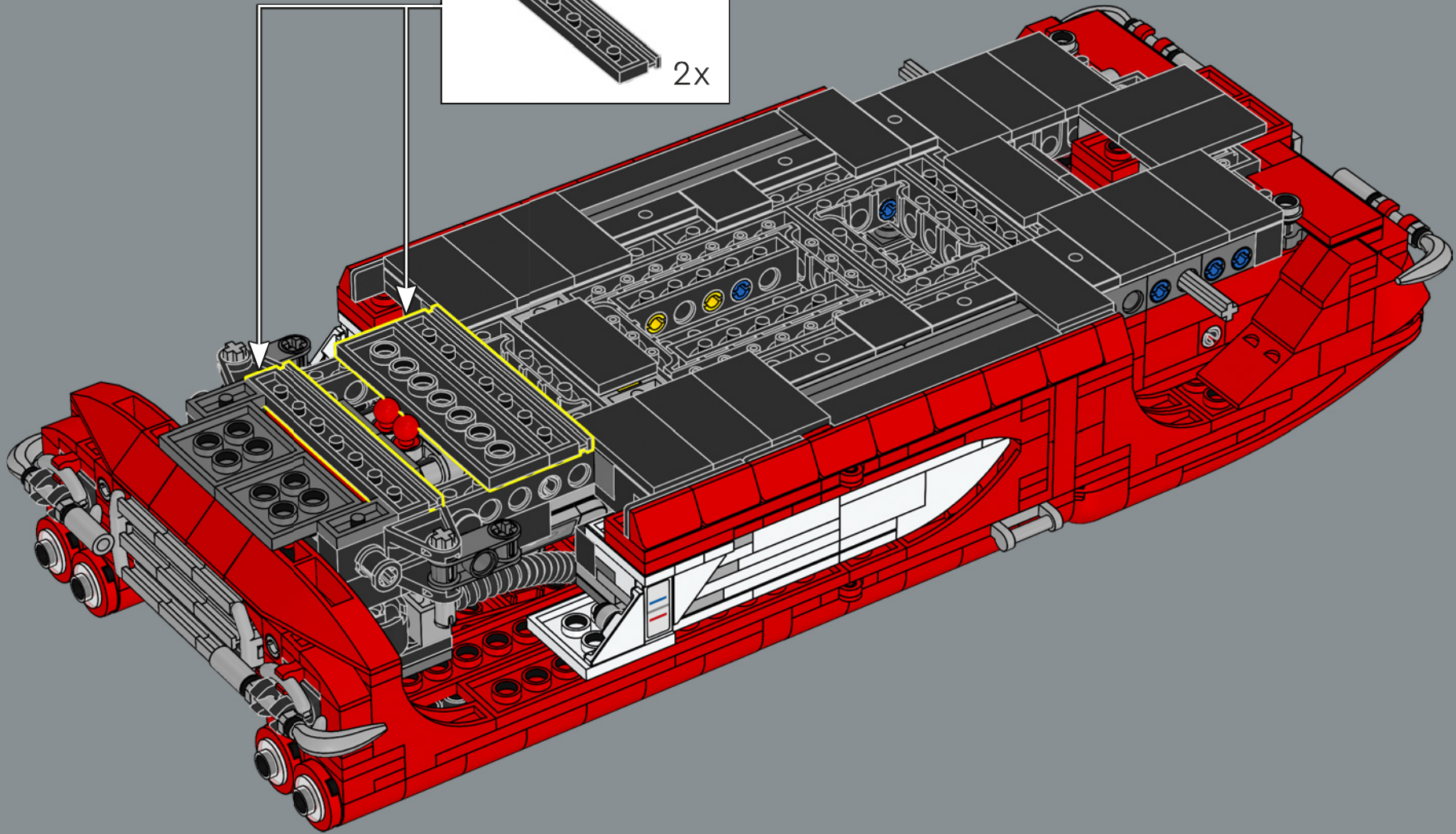
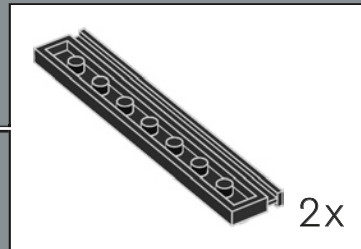


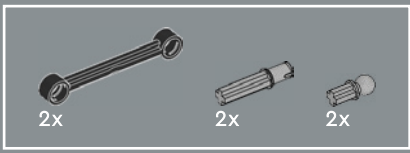
293



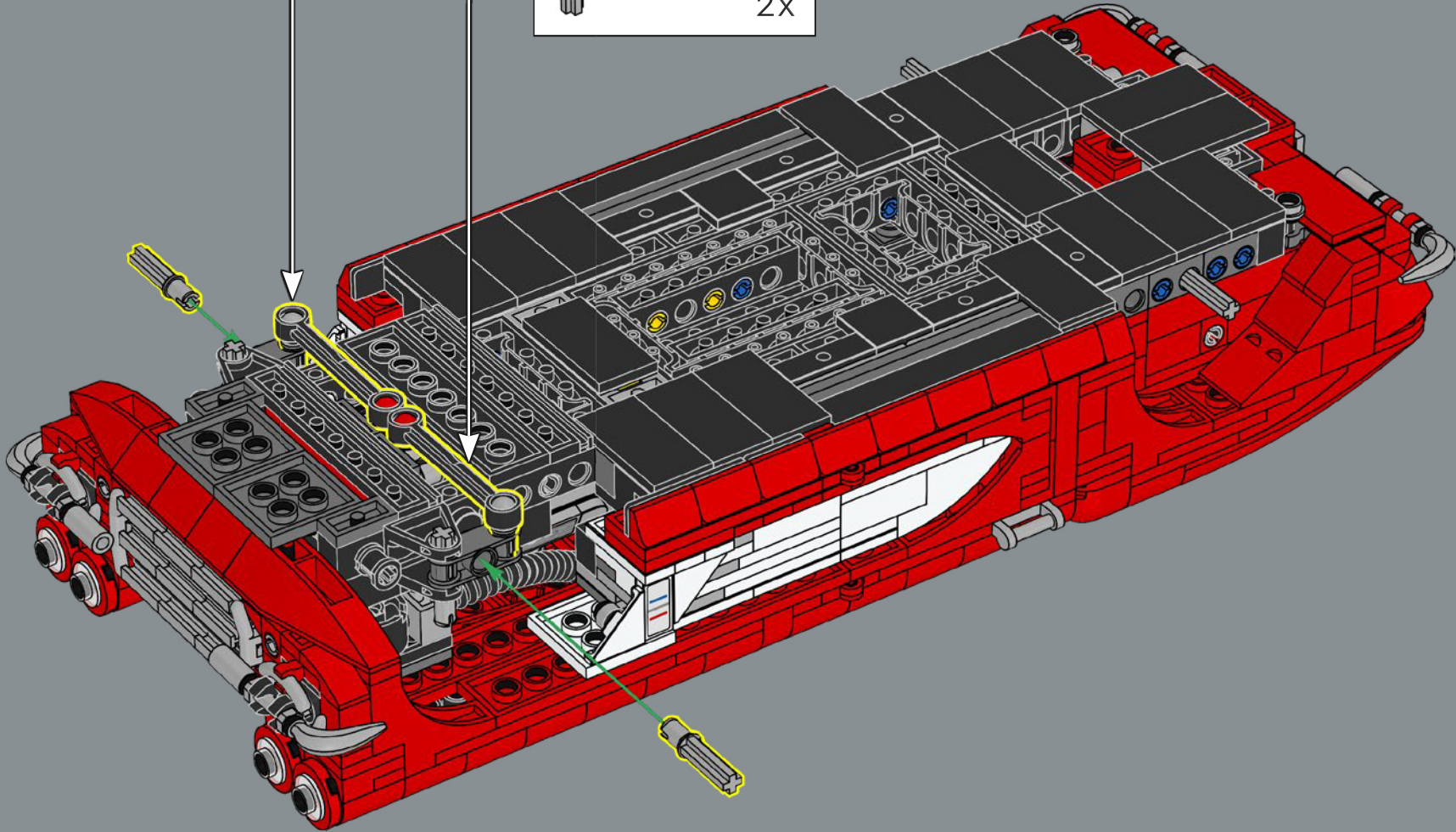
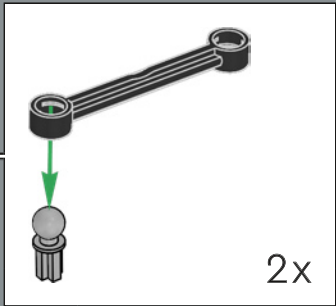


294

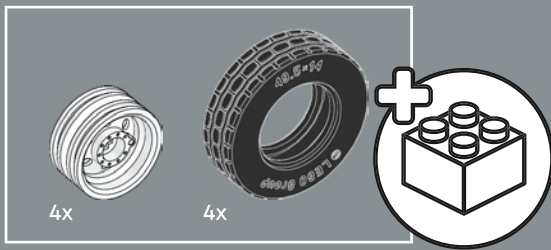




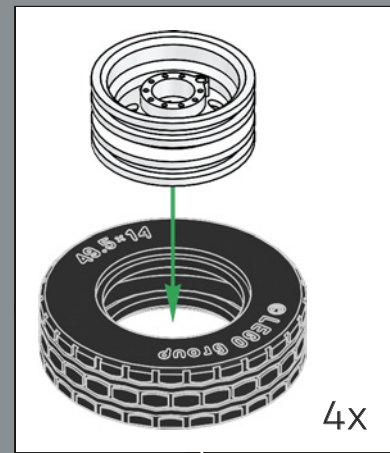
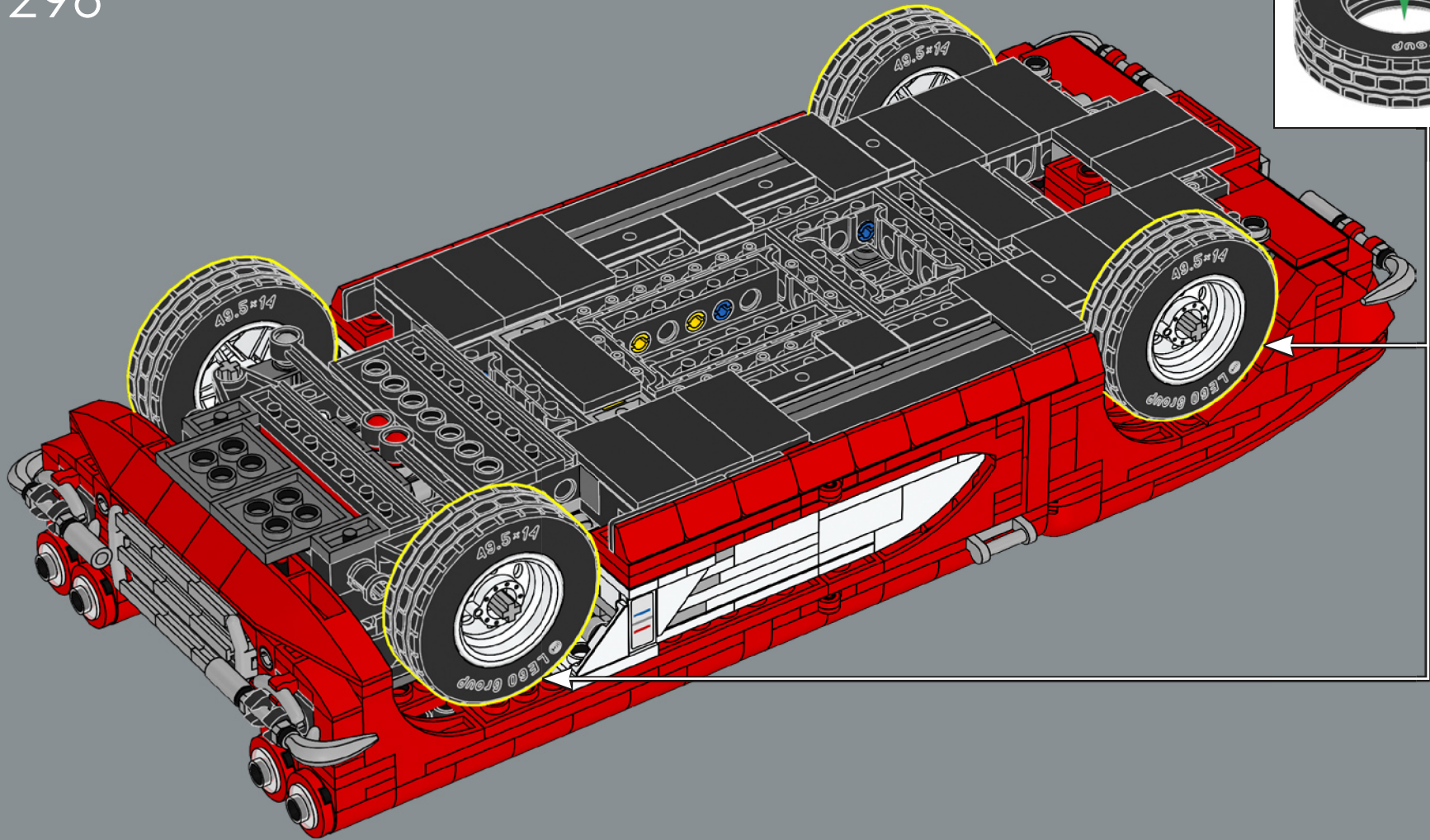
295

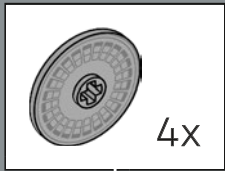




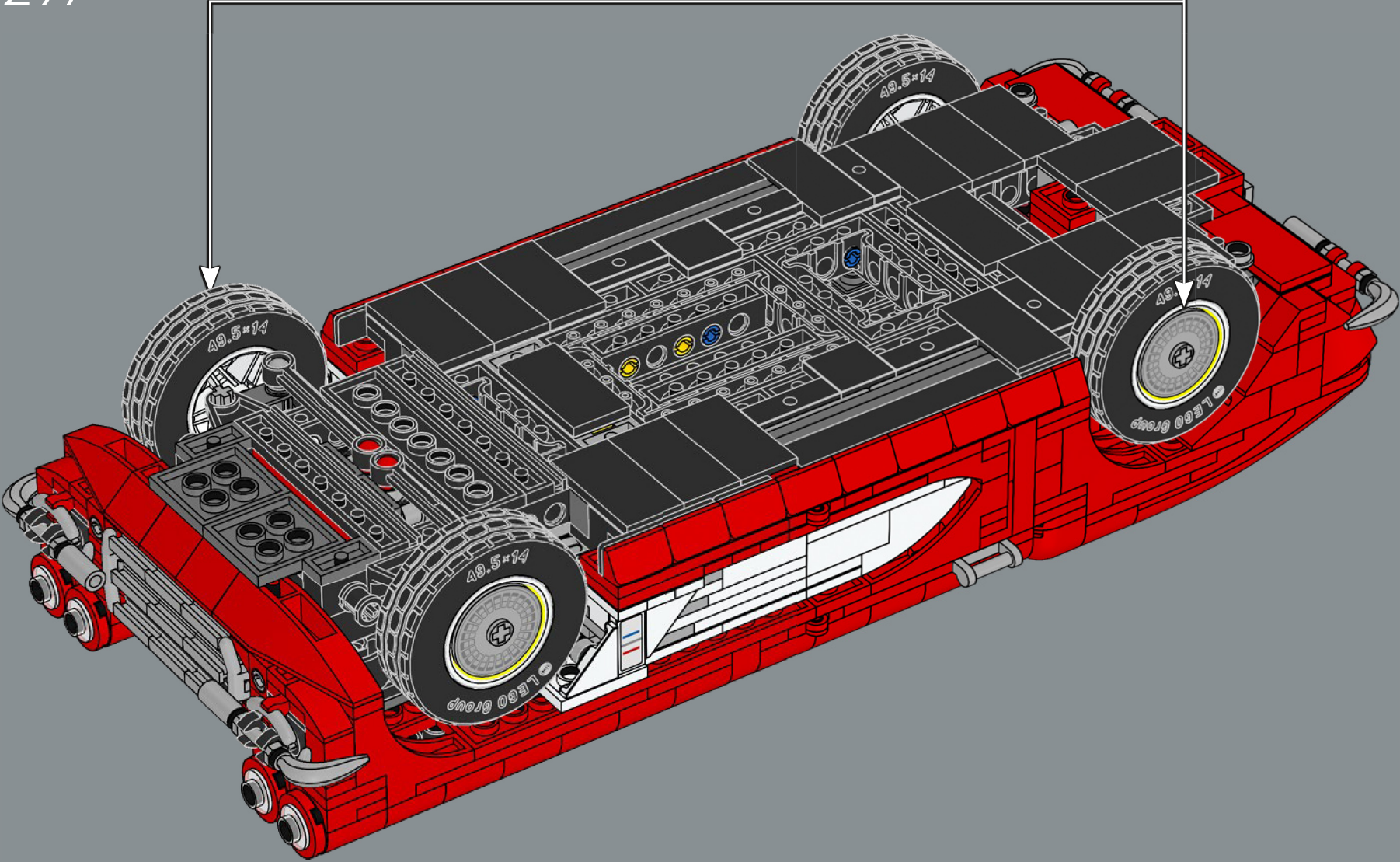


296



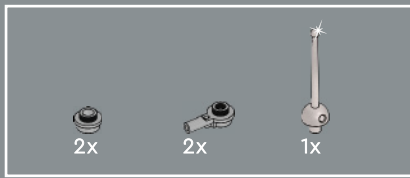


297

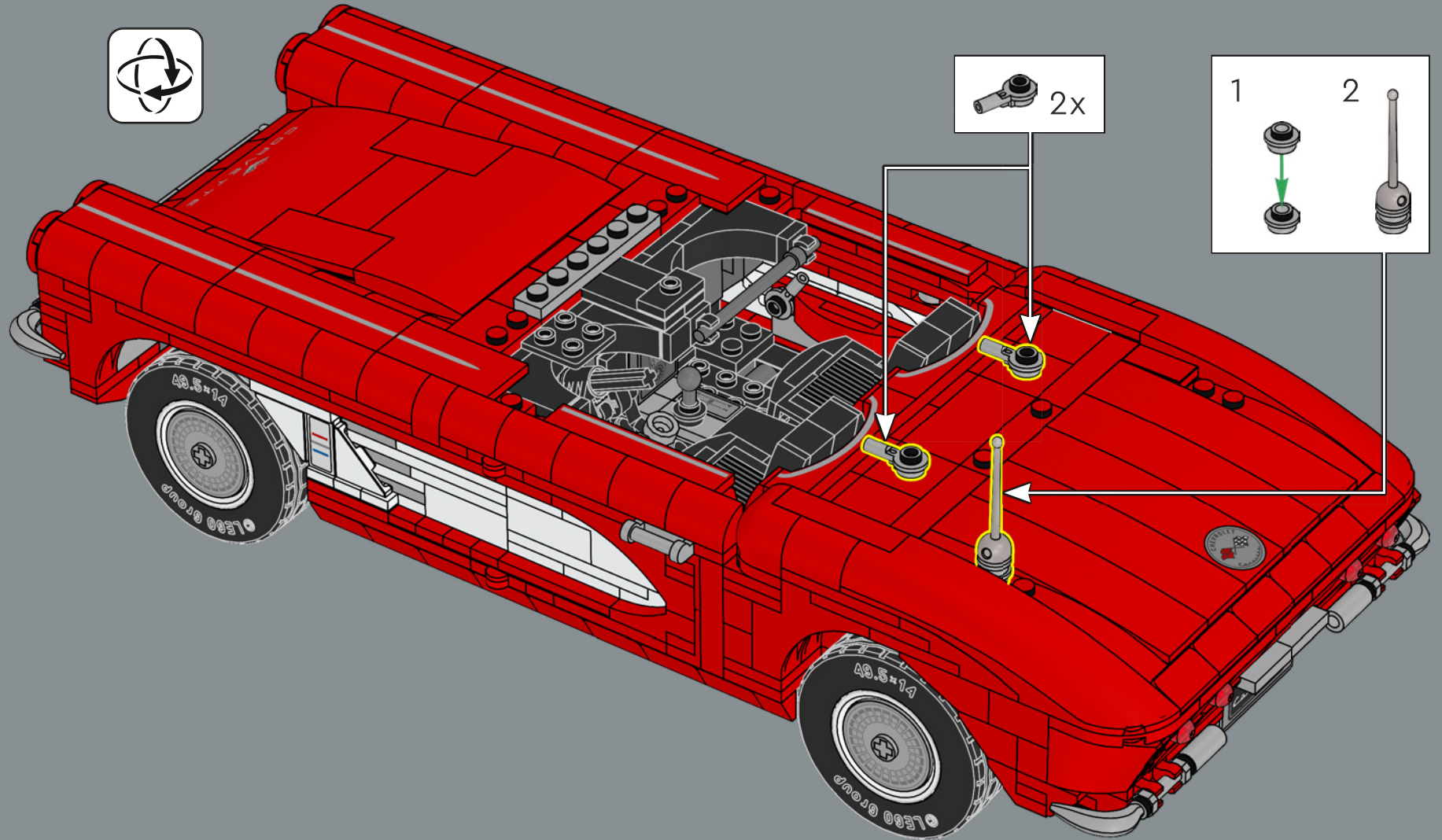




天线实际上是对乐高®宝剑组件的重新利用。

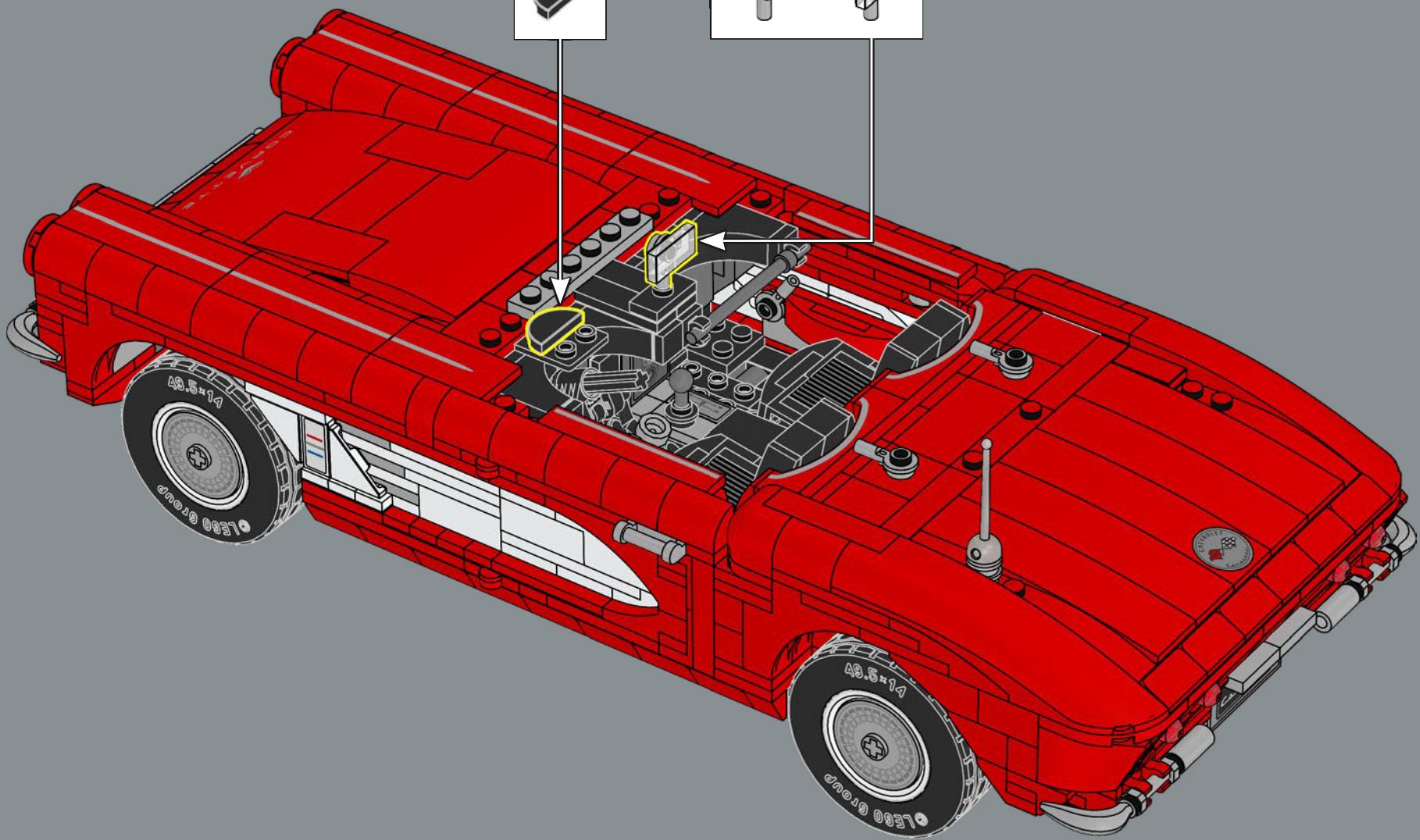
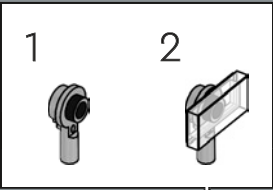


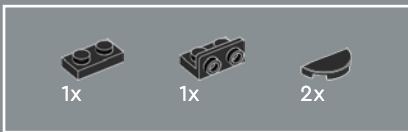
298



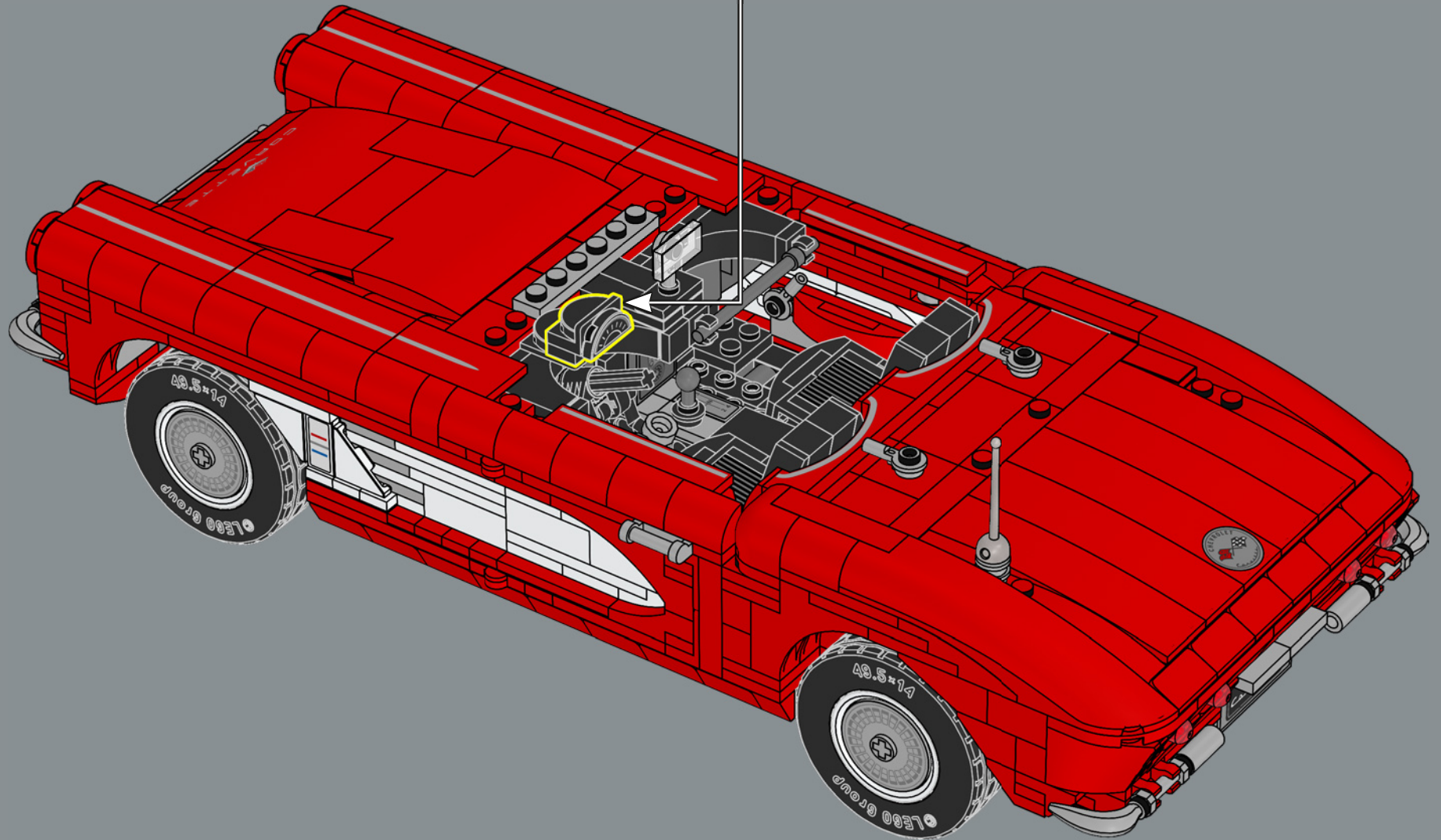
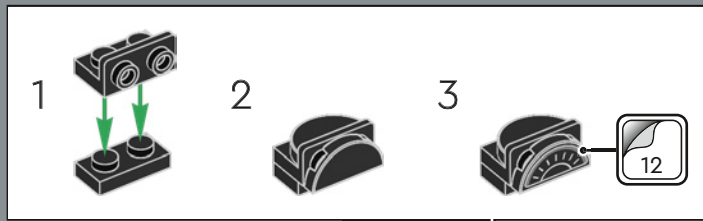


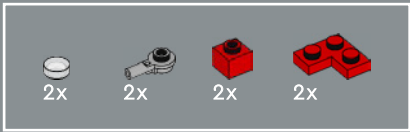
299



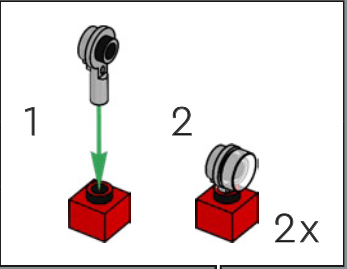
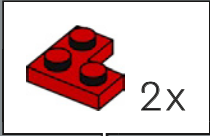
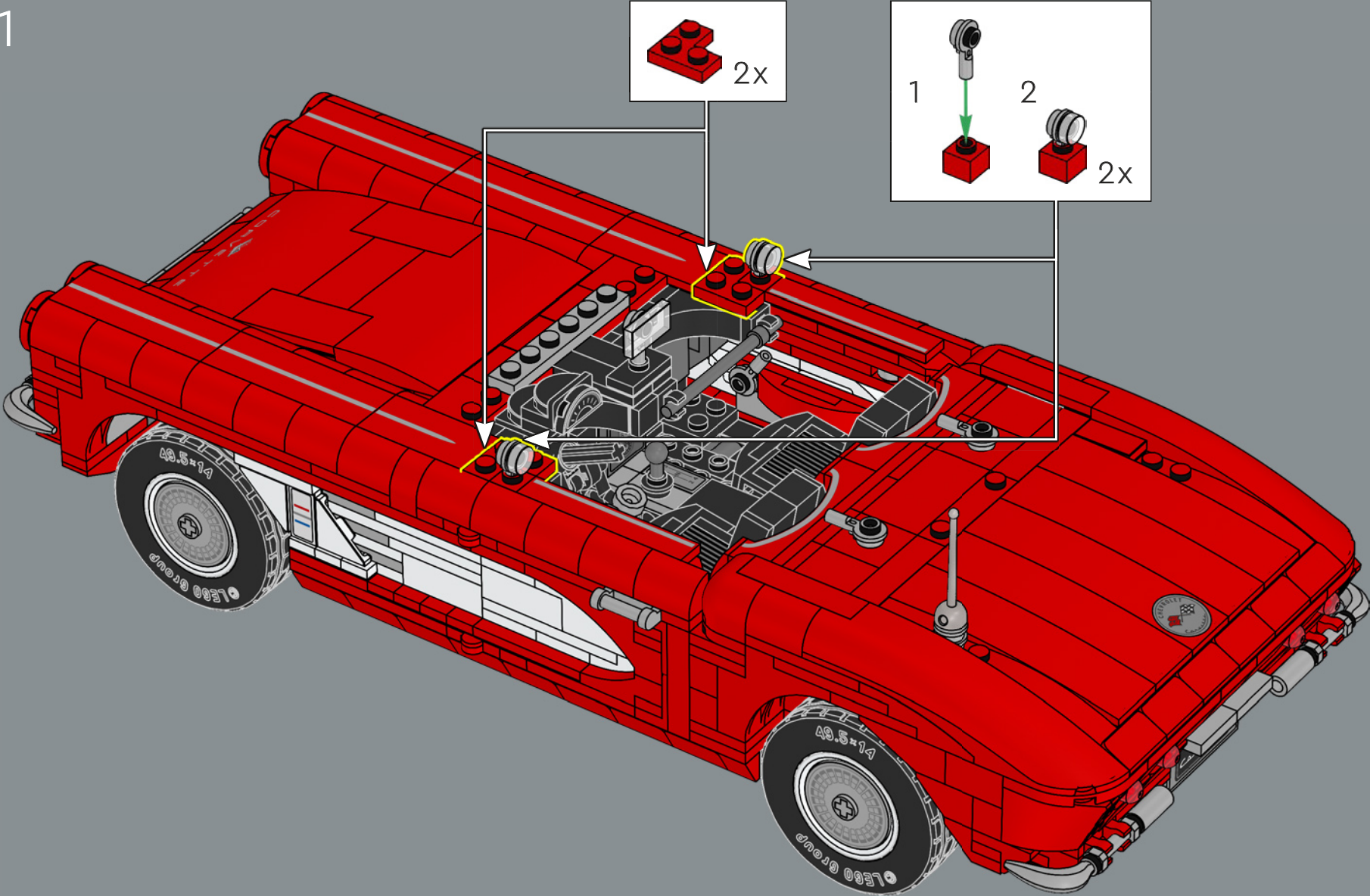


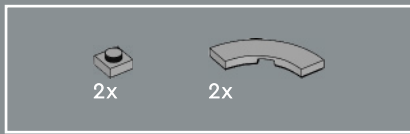
300



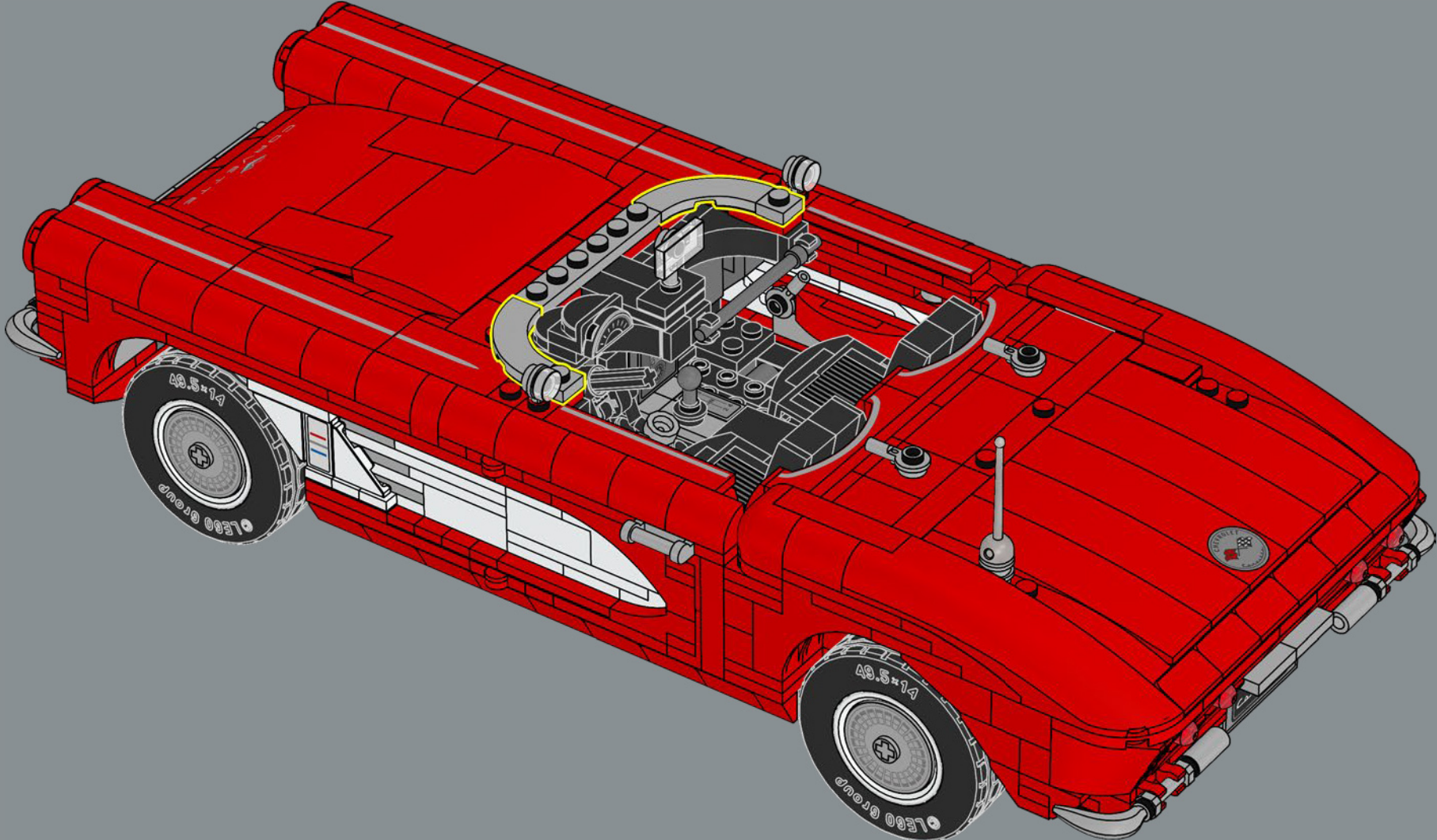


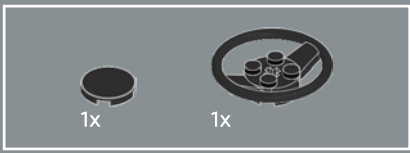
301



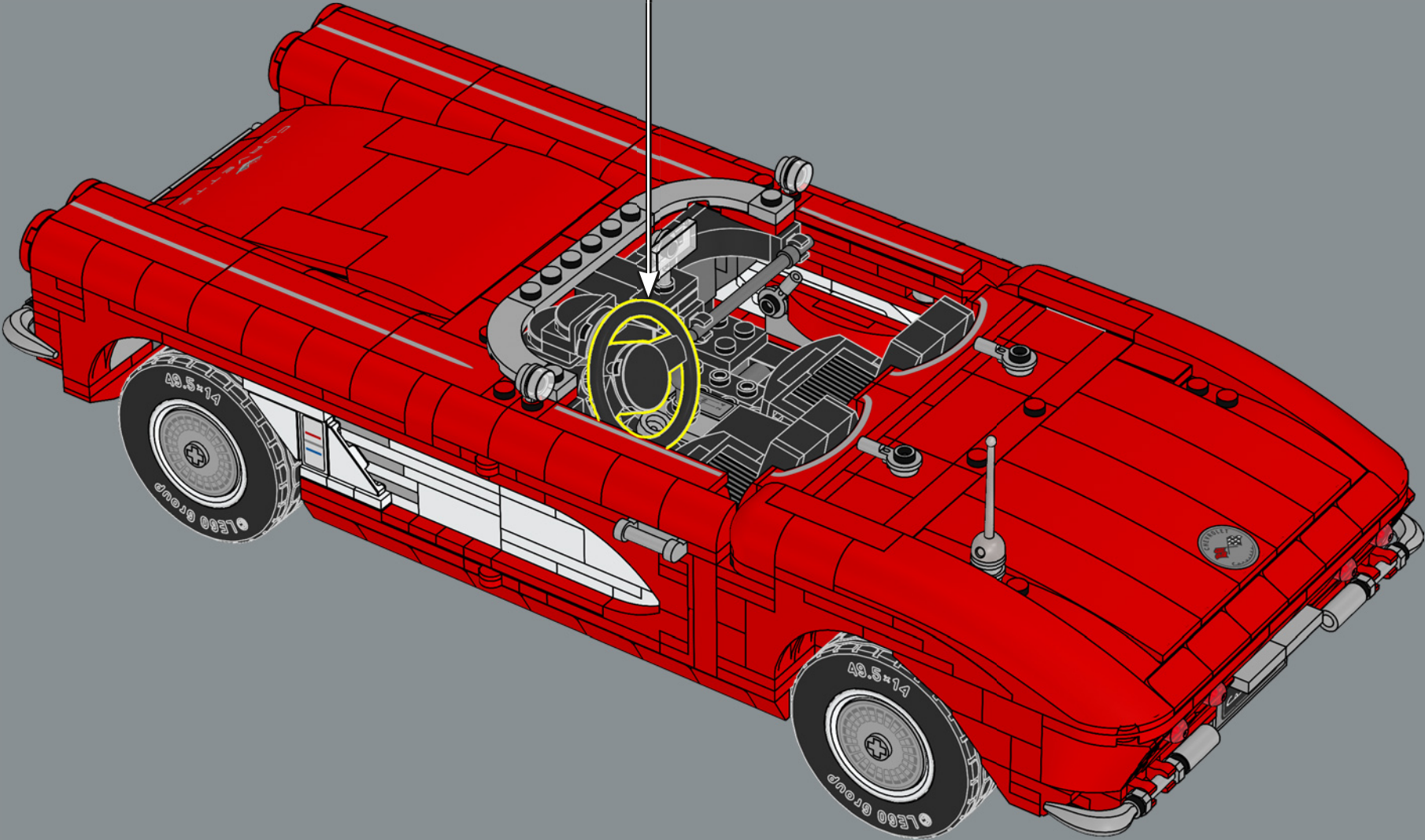
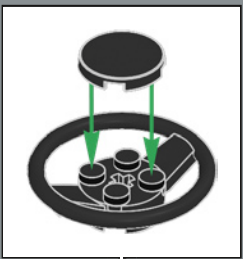


302





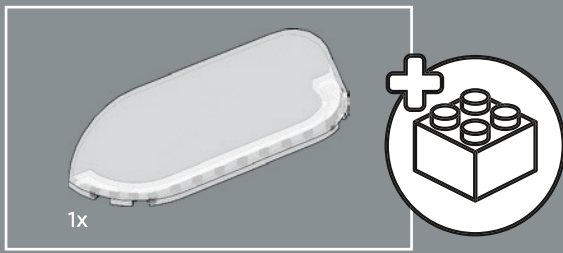
303



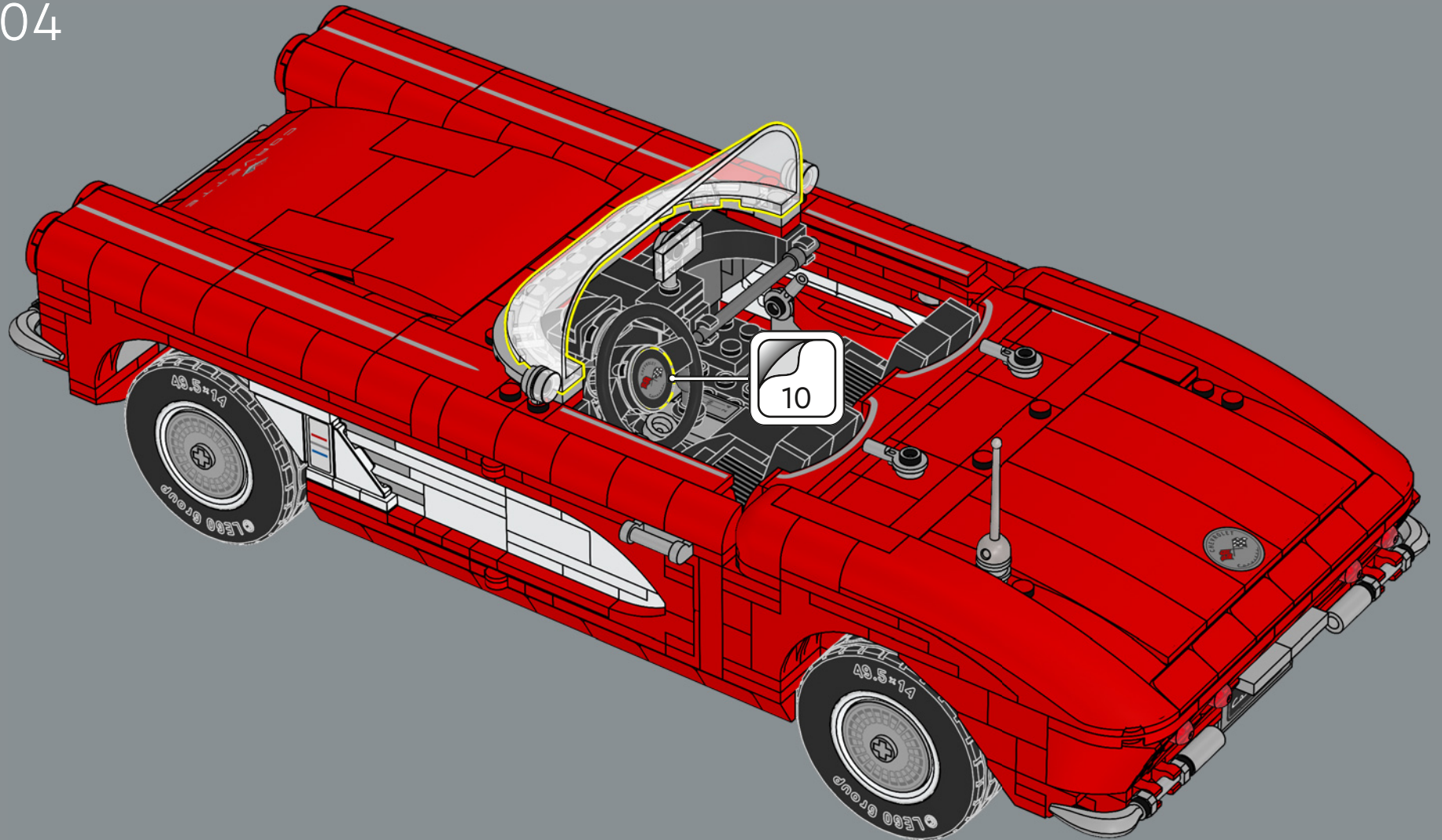


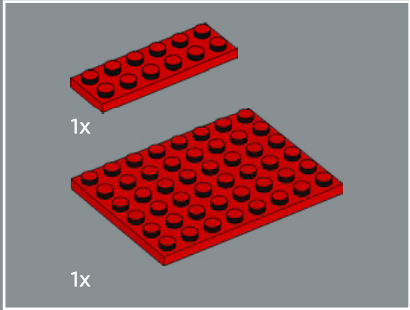
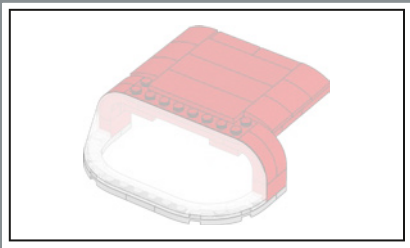


全新定制的挡风玻璃是专为此套装设计的。我们使用了两块——一块在前部，另一块在顶部，你可以在下雨天添加。

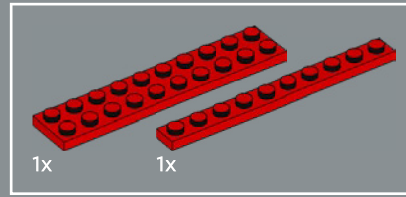
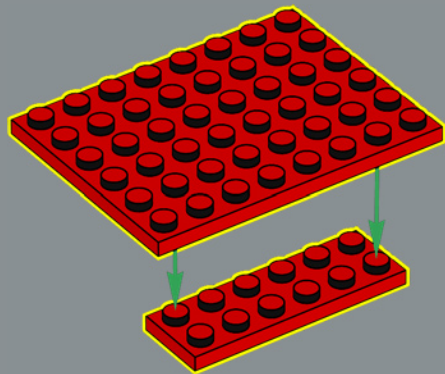


304

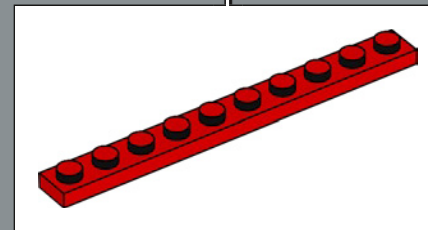
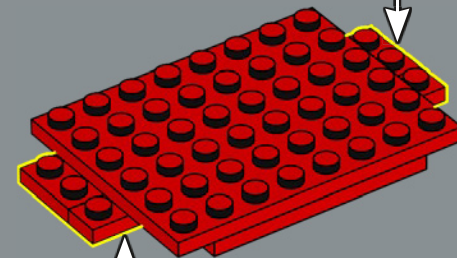
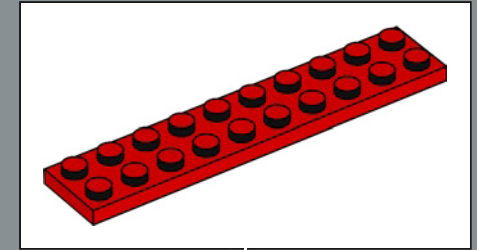


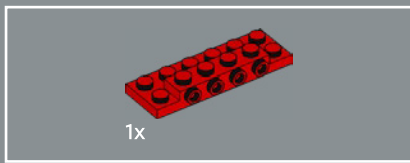


305

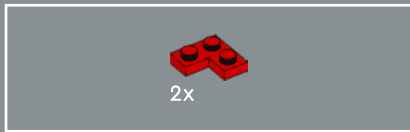
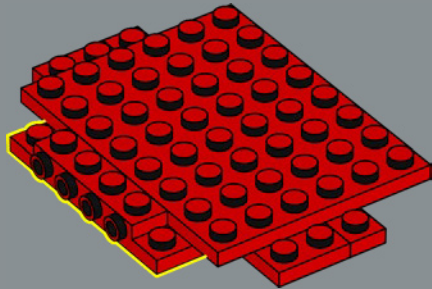


306

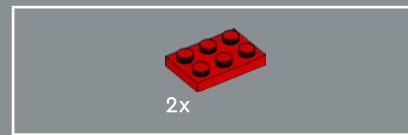
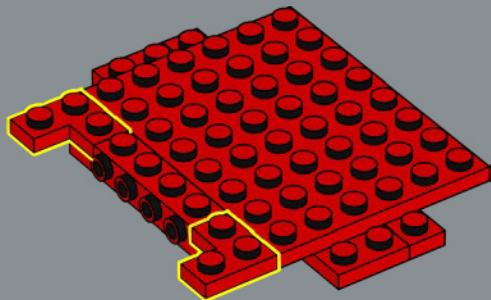




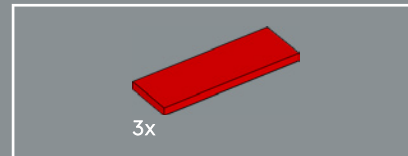
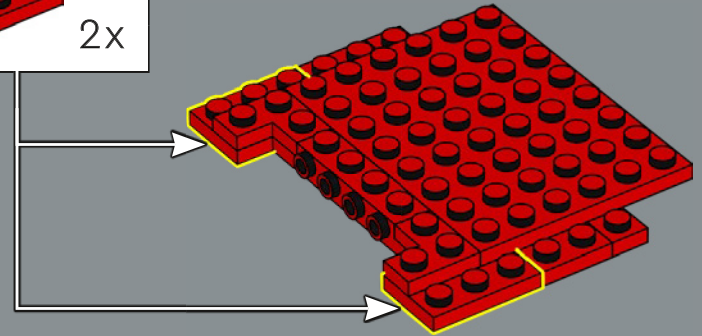
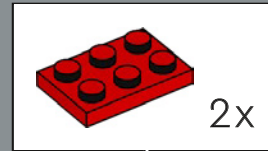
307



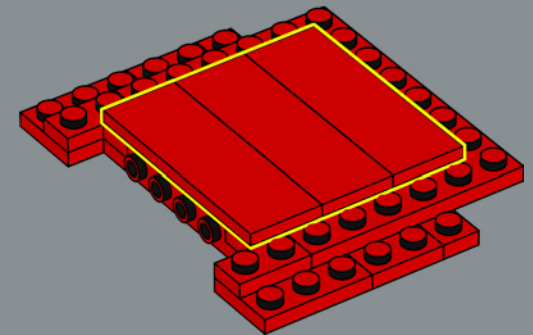
308

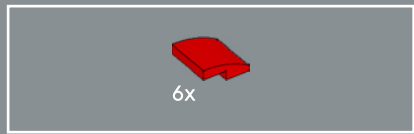


309

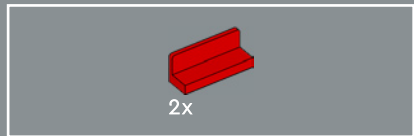
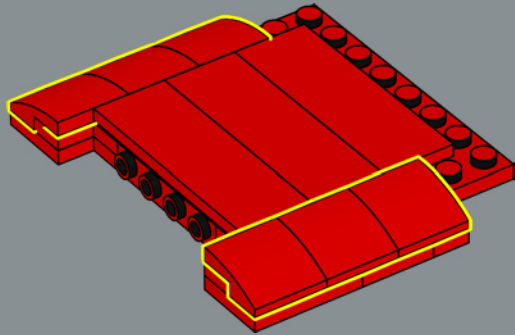


310

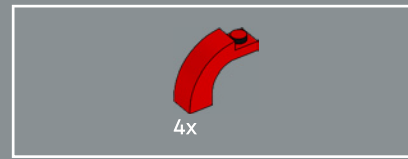
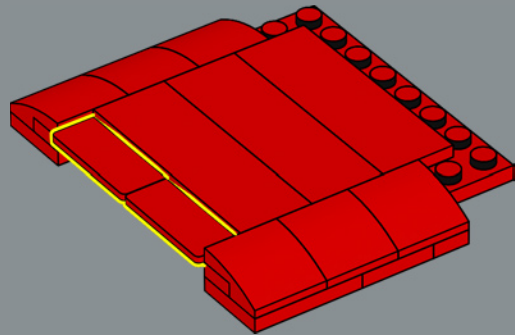




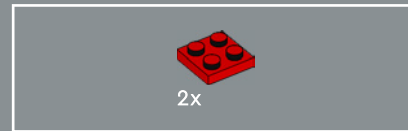
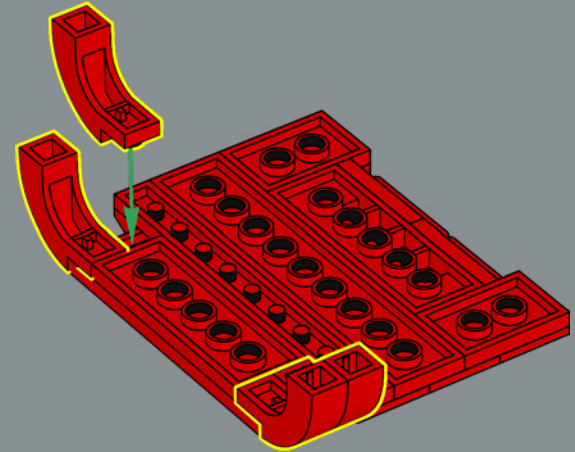
311



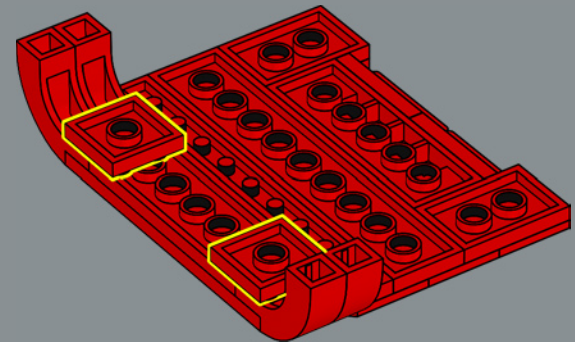
312

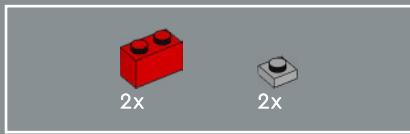


313

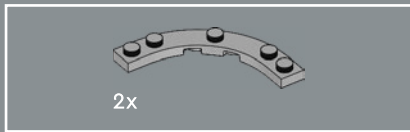
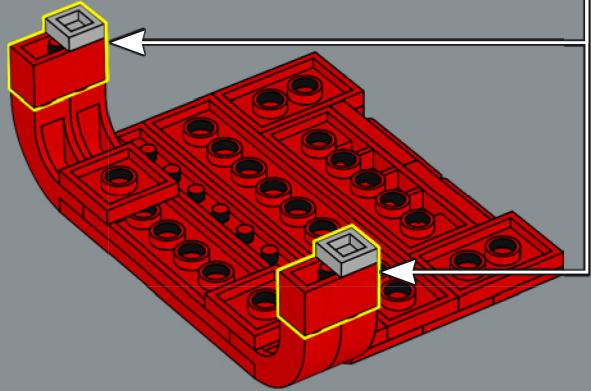
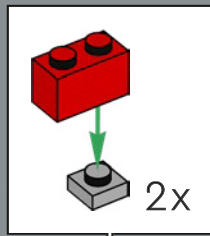


314

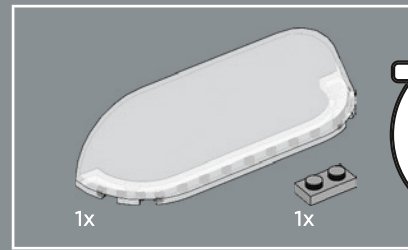
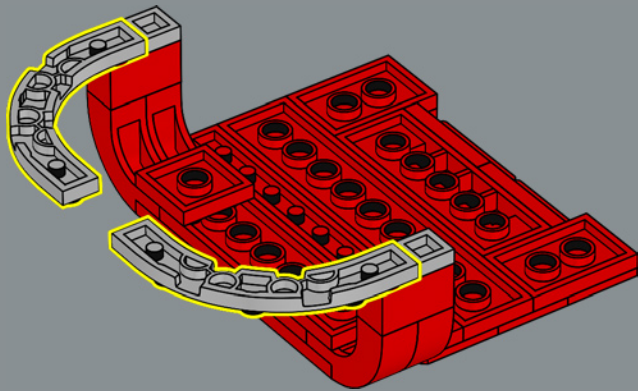




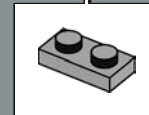
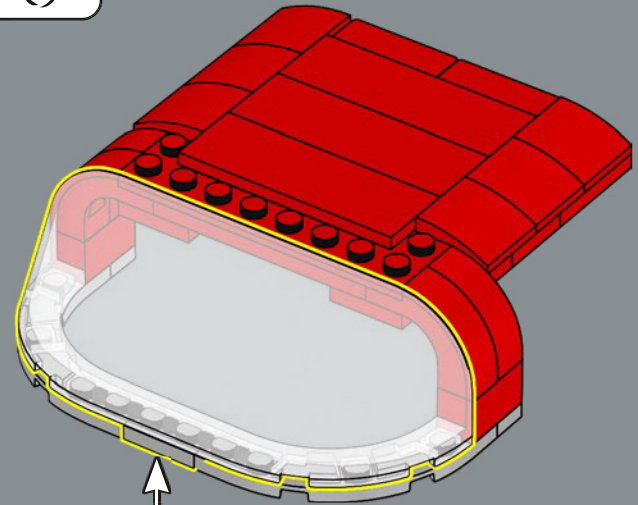
315

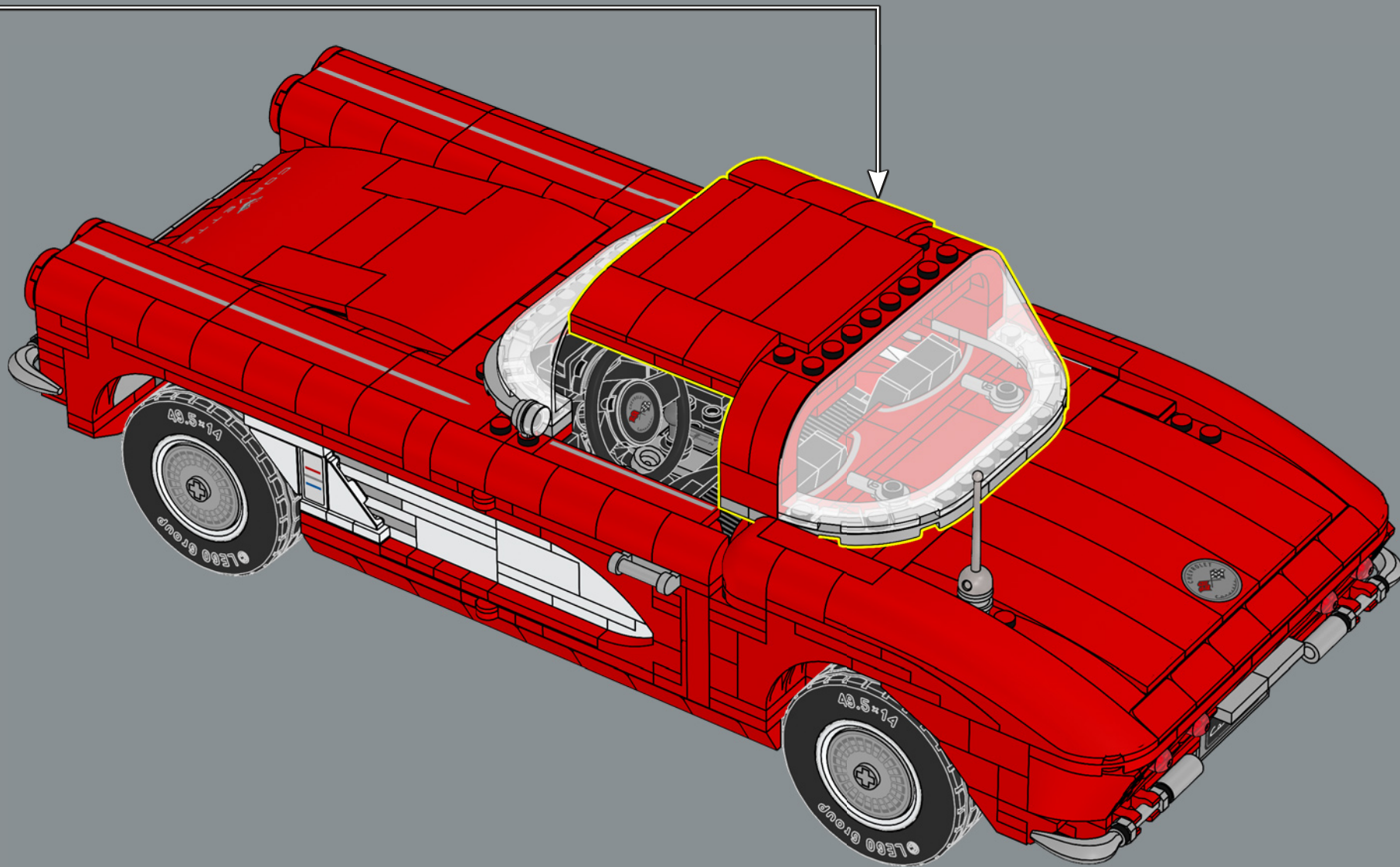


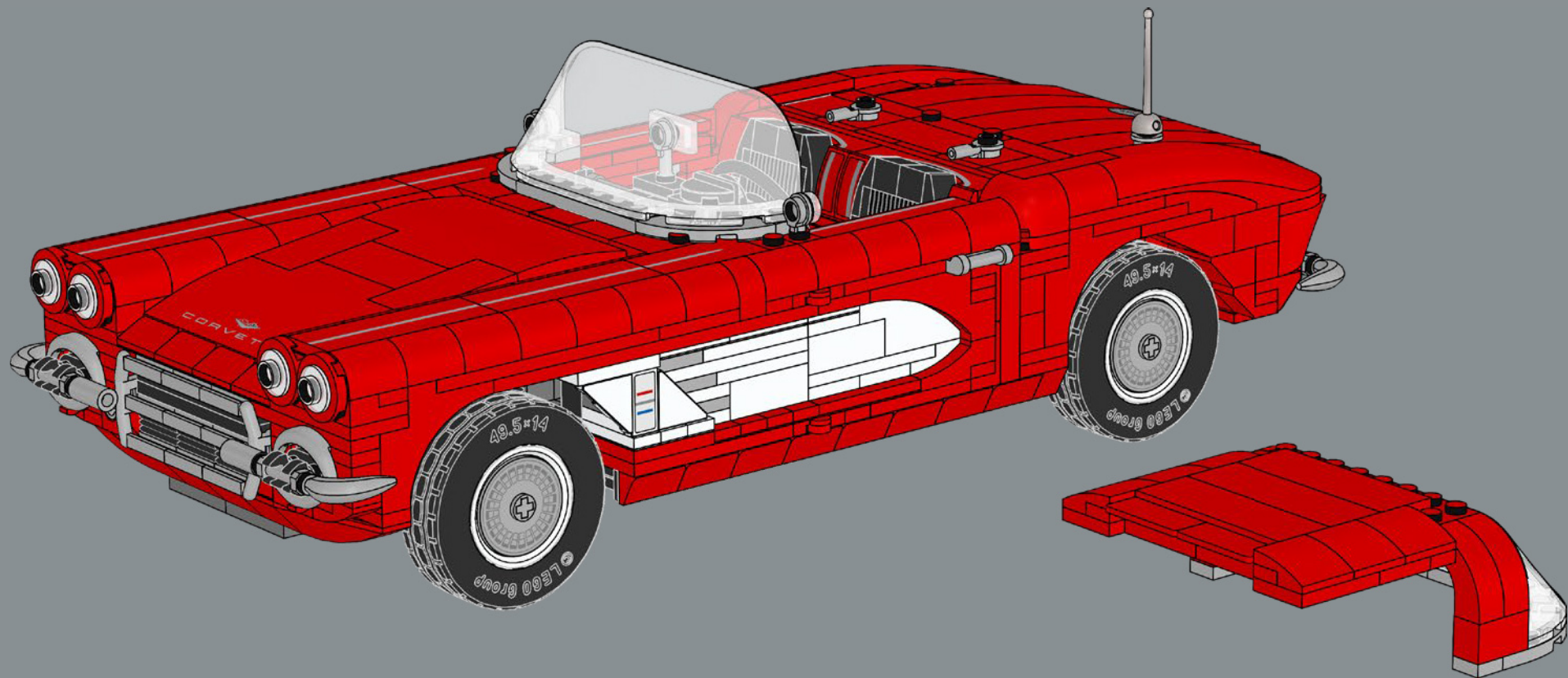
316

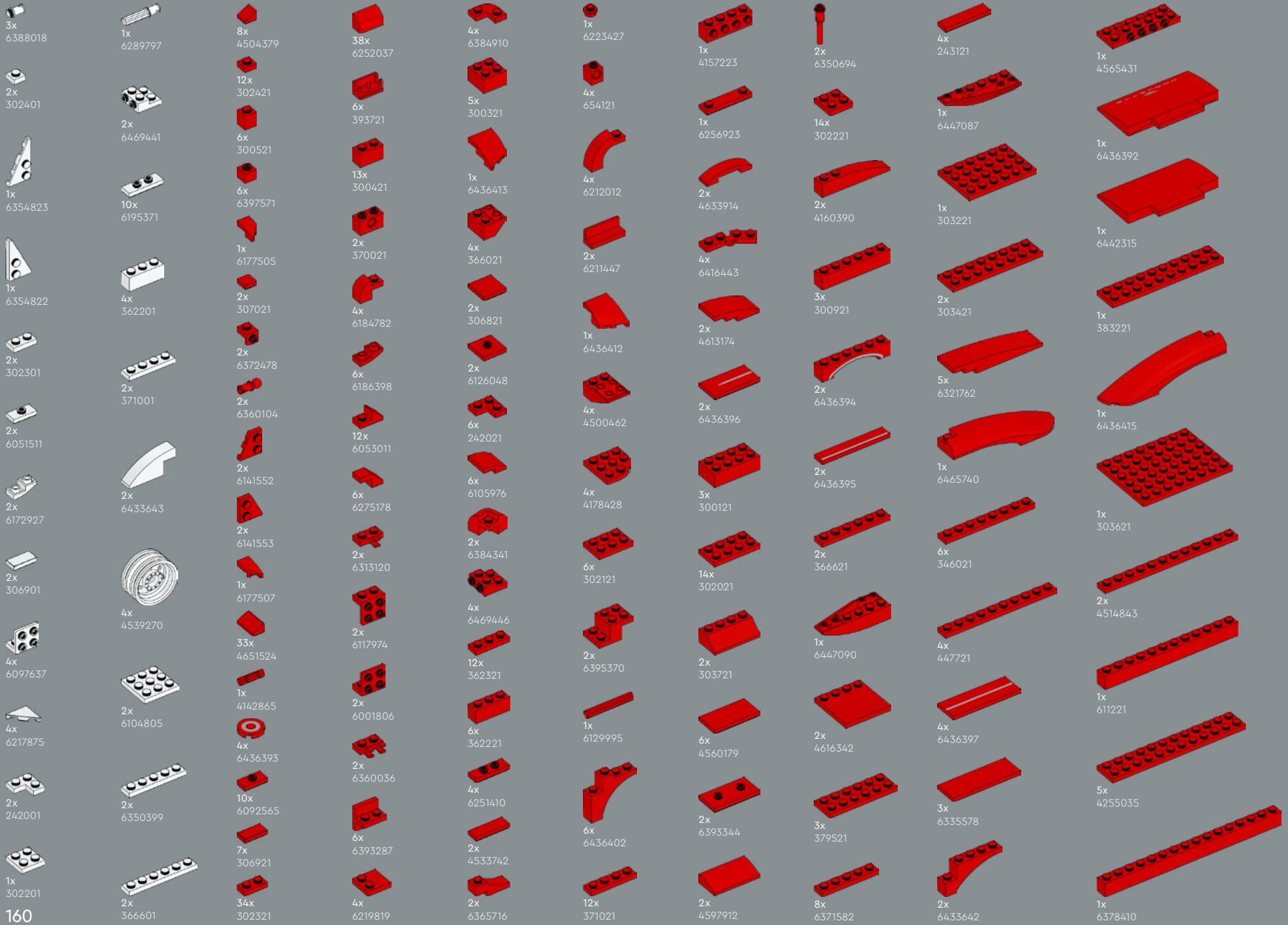


317

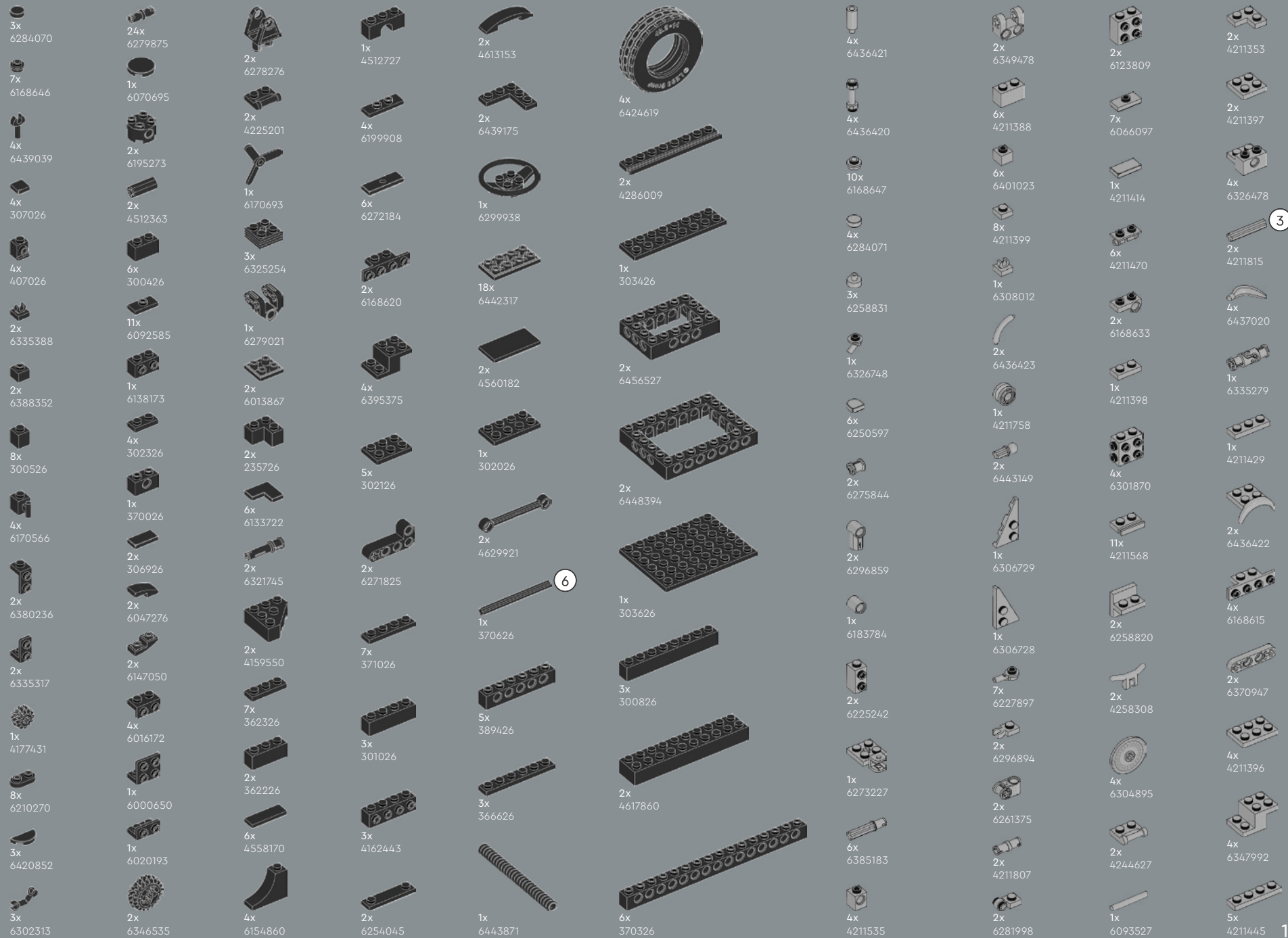












3

6

5x  
4206482

31x  
6299413

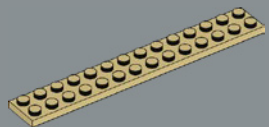
4x  
6171762

1x  
6013938

2x  
4666579

1x  
6321305

4x  
4114077



1x  
6036487



 [LEGO.com/service](https://LEGO.com/service)

1x  
6274681

6x  
6208727

2x  
4650865

5x  
4539083

1x  
6222063

1x  
6236213

1x  
6371606

4x  
6345721

2x  
6274738

4x  
6450883

1x  
6251294



2x  
6433640

1x  
4211636

2x  
4211356

1x  
6457283

1x  
4515351

2x  
6385740

1x  
4503416

3x  
4560183

2x  
4618874

2x  
4211438

2x  
4211549

2x  
4211805

2x  
6430583

1x  
4211374

1x  
4514846

7

3x  
306224

4x  
6284577

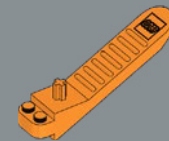
4x  
614124

4x  
6331822

1x  
4201615

2x  
242024

2x  
302024



1x  
6240515

1x  
6100030

4x  
4210719

1x  
6364352

1x  
6390673

4x  
6296892

2x  
6336990

3x  
4211094

1x  
6350724

1x  
4211042

1x  
4516546

12x  
4210636

10x  
4211063

24x  
4210762

3x  
4210763

10x  
6019987

4x  
6344754

2x  
6168776

1x  
4211055

2x  
6071261

1x  
6015356

2x  
6276984

1x  
6391550

4x  
6343852

6x  
6187008

2x  
6039176

1x  
4560184

1x  
6170420

4x  
4210998

1x  
6133611



# YOU COULD WIN



## YOU COULD WIN

Your feedback will help shape the future development of this product series.

Visit:

## DU KÖNNTEST GEWINNEN

Dein Feedback trägt zur Weiterentwicklung dieser Produktreihe bei.

Geh auf:

## VOUS POURRIEZ GAGNER

Vos commentaires nous aideront à concevoir les futurs produits de cette gamme.

Visitez :

## POTRESTI VINCERE TU

La tua opinione ci aiuterà a migliorare la creazione futura di questa linea di prodotti.

Visita:

## PUEDES GANAR

Tu opinión contribuirá al futuro de esta serie de productos.

Visita:

## 轻松获奖

您的反馈将有助于我们在今后改进本产品系列。

请访问:

---

[LEGO.com/productfeedback](https://www.lego.com/productfeedback)

---

You also have the chance to win a LEGO® set.

Terms and conditions apply.\*

Außerdem hast du die Chance, ein LEGO® Set zu gewinnen.

Es gelten die Teilnahmebedingungen.\*

Vous pourriez également gagner un ensemble LEGO®.

Des conditions s'appliquent.\*

Hai anche la possibilità di vincere un set LEGO®.

Termini e condizioni sono applicabili.\*

También tienes la oportunidad de ganar un set LEGO®.

Aplican términos y condiciones.\*

您还有机会赢取乐高®套装。

条款和条件适用。\*

\*[LEGO.com/productfeedback-terms](https://www.lego.com/productfeedback-terms)



LEGO and the LEGO logo are trademarks of the LEGO Group. ©2023 The LEGO Group.  
General Motors trademarks used under license to the LEGO Group.