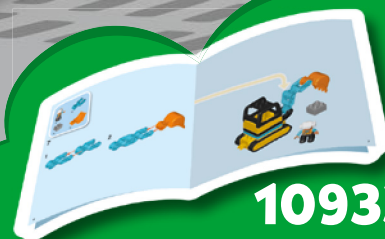




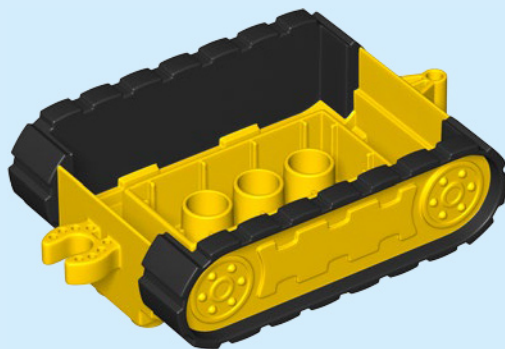
A small red rabbit is perched on top of the word "duplo".
duplo



10933
LEGO.com/DUPLO



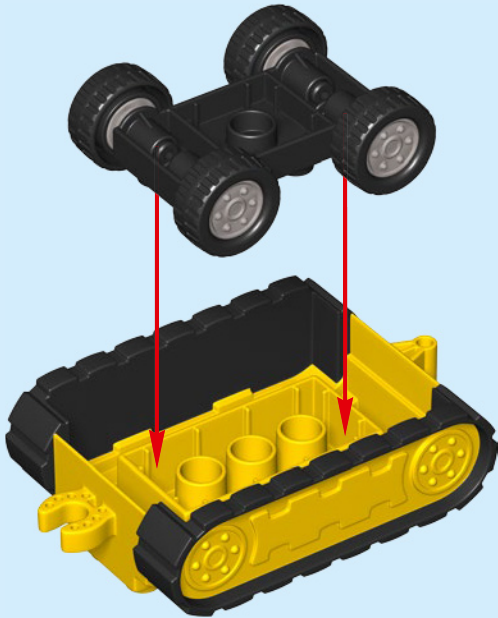
1



2

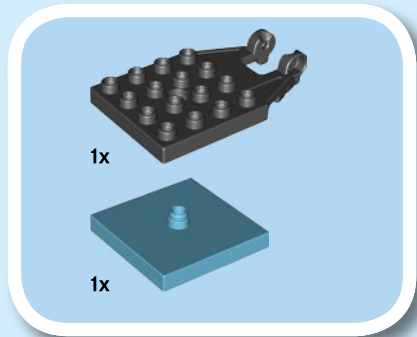


2

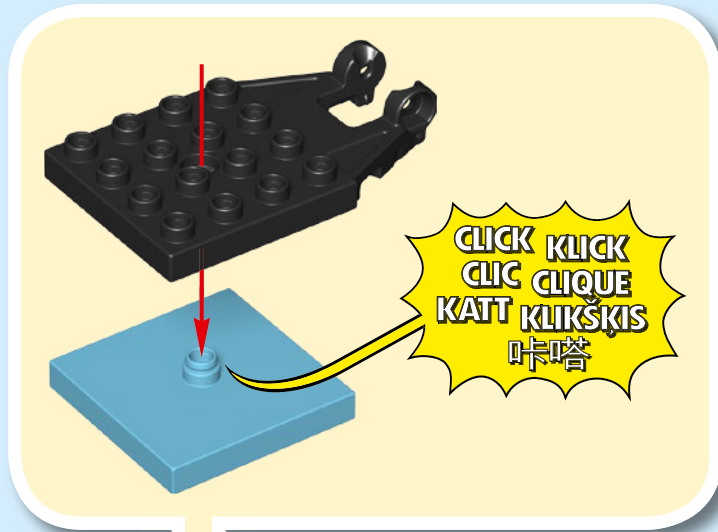


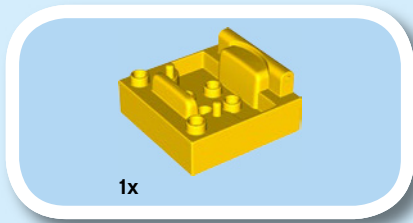
3



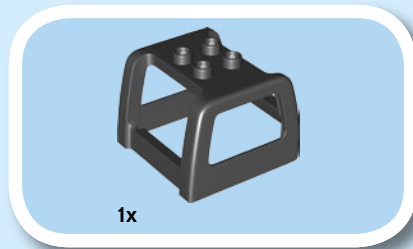
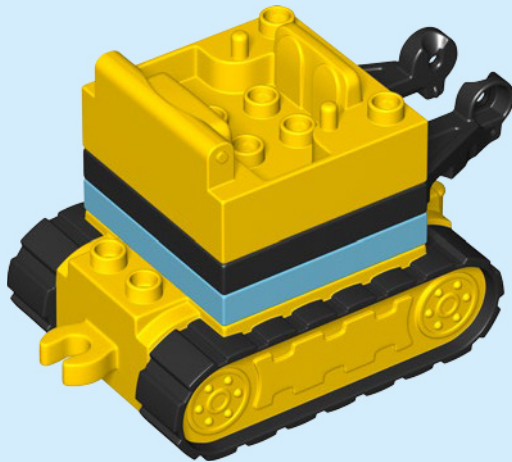


4

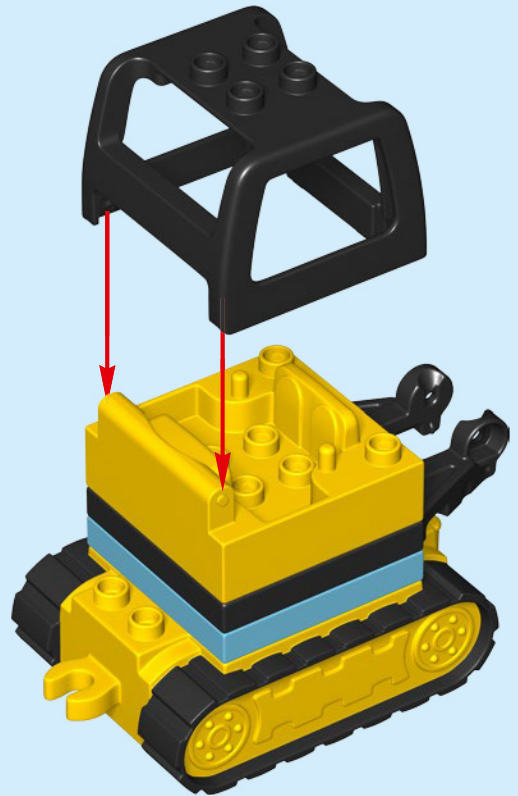


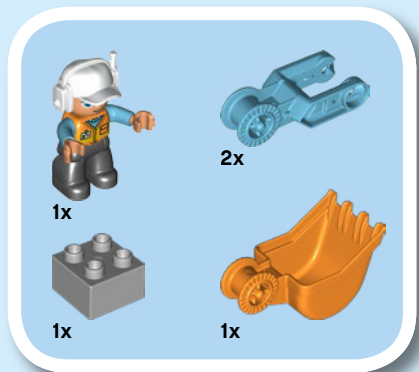


5

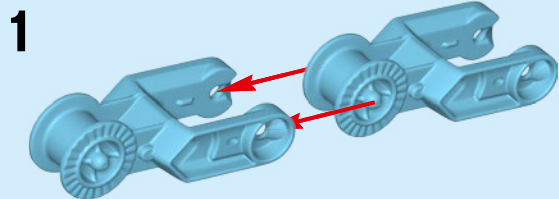


6

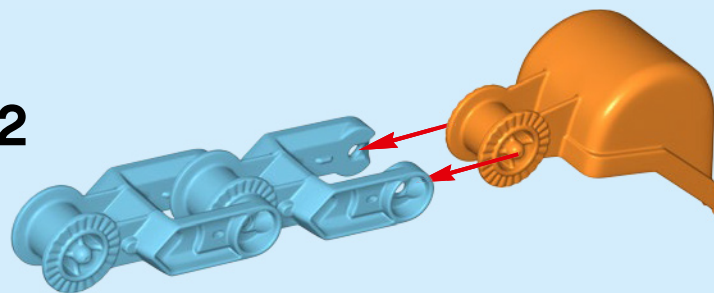


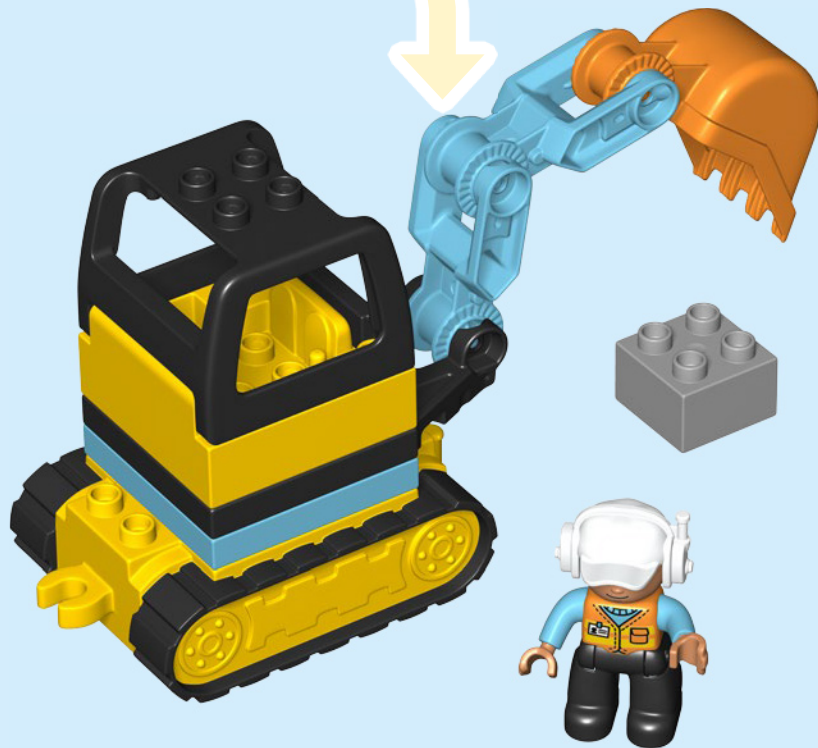


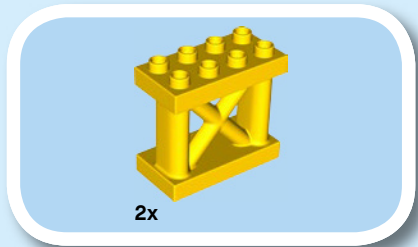
7



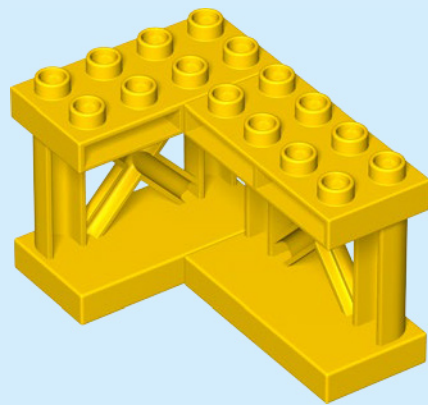
2

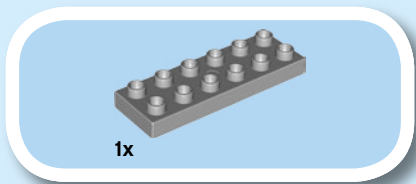




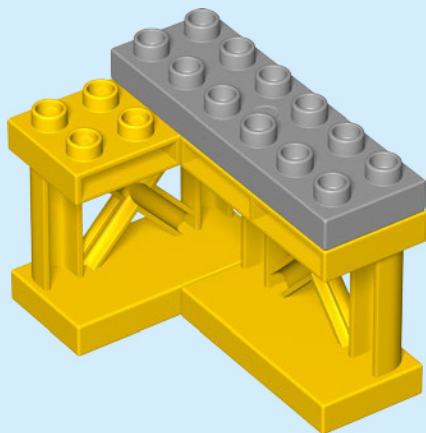


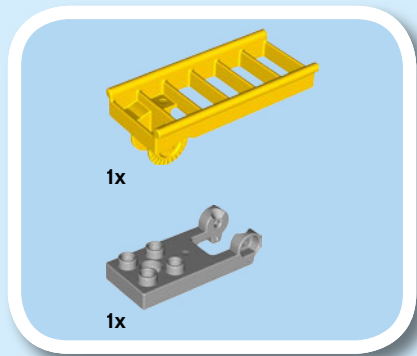
1



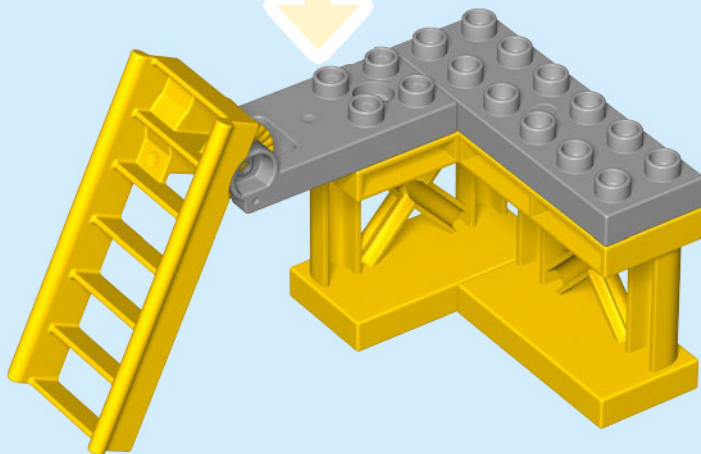
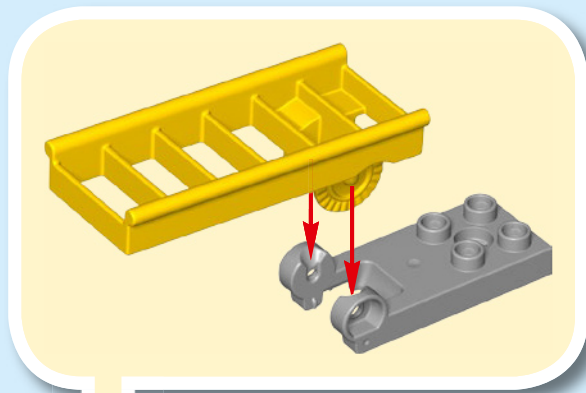


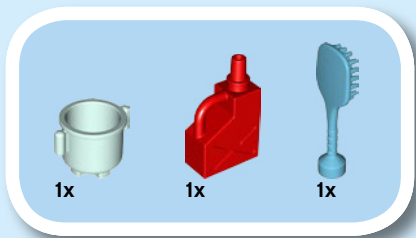
2



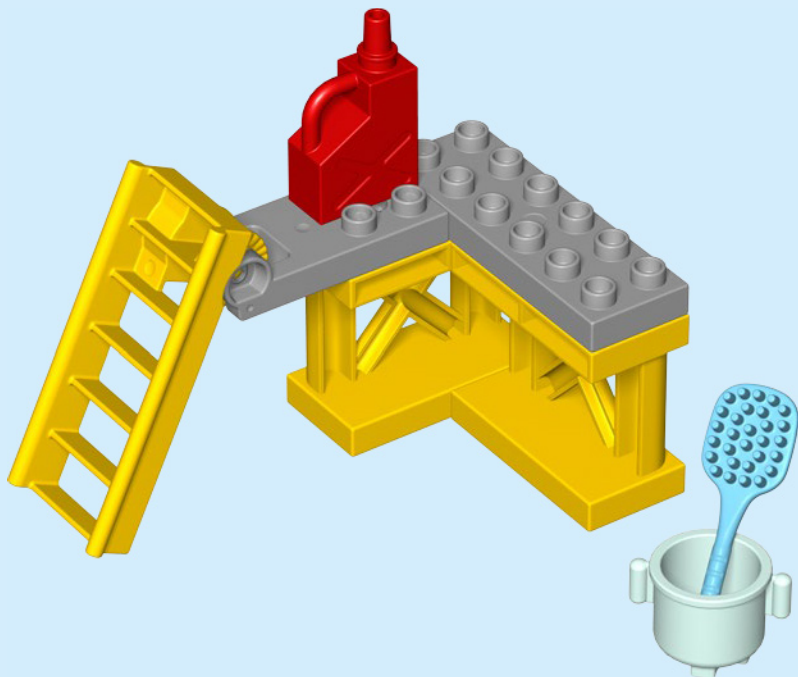


3





4





duplo

A WORLD OF LEGO® DUPLO®

LE MONDE DE LEGO® DUPLO®

UN MUNDO DE LEGO® DUPLO®



The availability of apps is subject to the local strategies of the LEGO Group.

La disponibilité des applications est soumise aux stratégies locales du Groupe LEGO.

La disponibilidad de las apps está sujeta a las estrategias regionales de The LEGO Group.



Customer Service
Kundenservice
Service Consommateurs
Servicio Al Consumidor

LEGO.com/service or dial

					: 00800 5346 5555		
		: 1-800-422-5346					