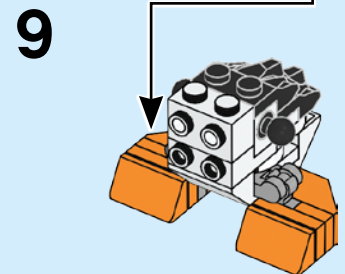
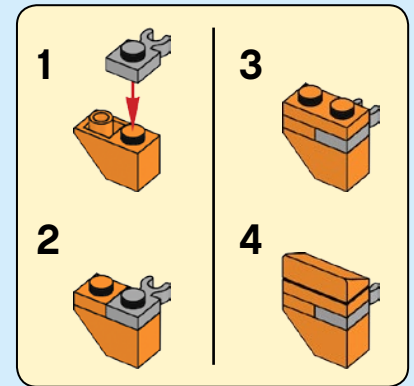
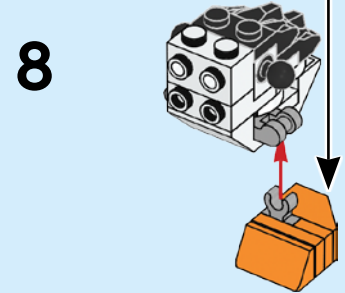
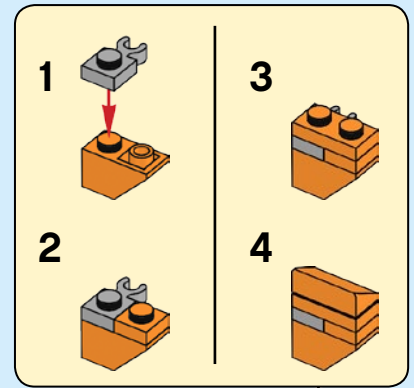
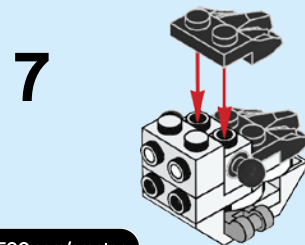
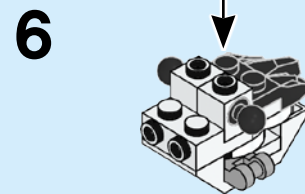
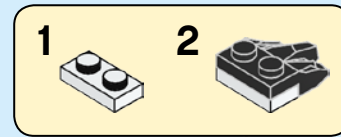
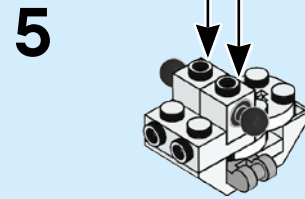
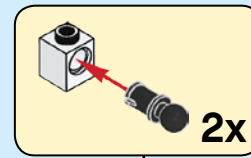
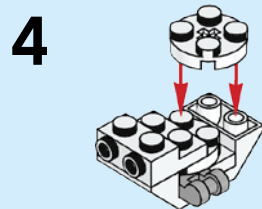
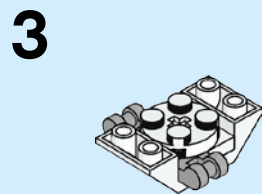
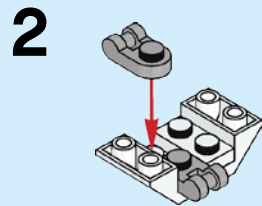
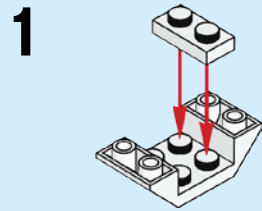




6268836



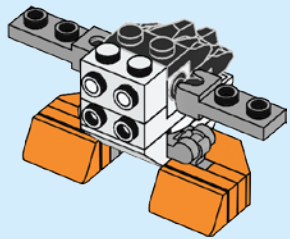
[LEGO.com/creator](https://www.LEGO.com/creator)

[LEGO.com/service](https://www.LEGO.com/service)

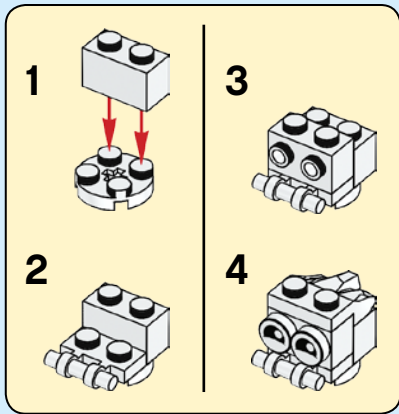
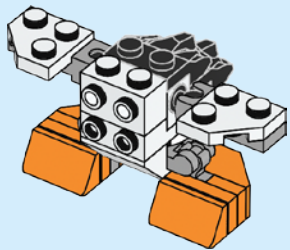
LEGO and the LEGO logo are trademarks of the LEGO Group.  
©2019 The LEGO Group. 6268836



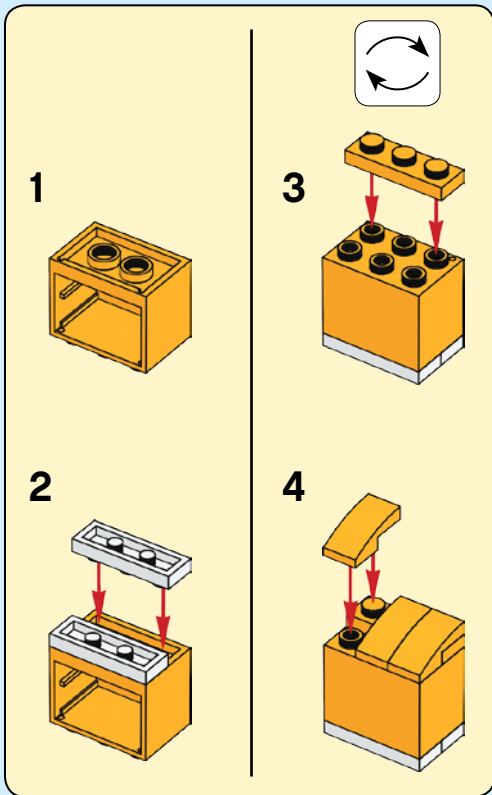
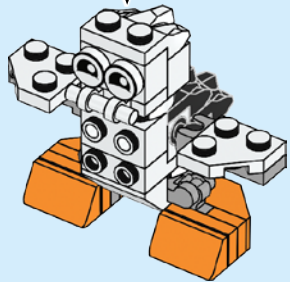
10



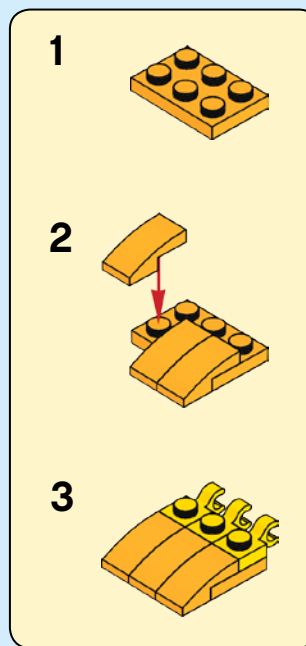
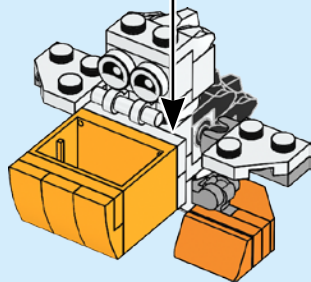
11



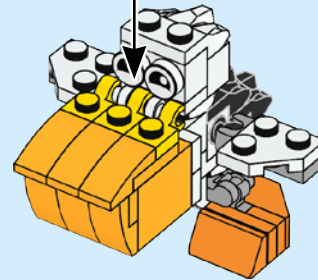
12



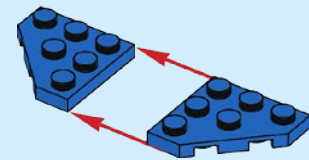
13



14



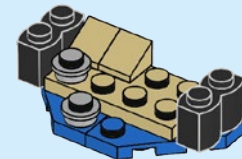
1



2



3



4

