



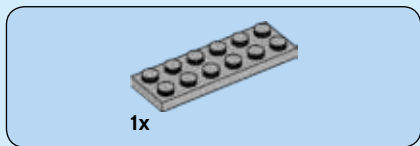
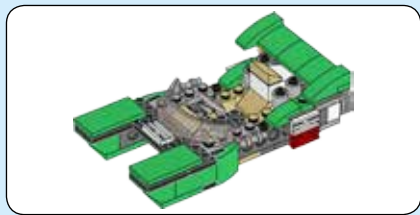
CREATOR

31056

3 IN 1



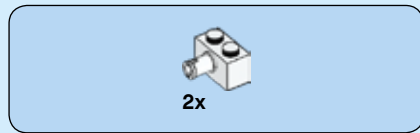
LEGO.com/creator



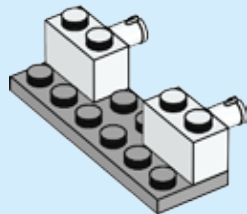
1

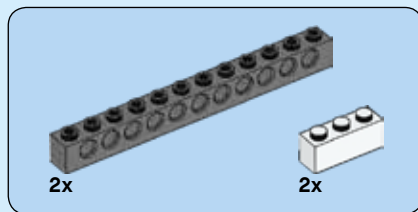


2

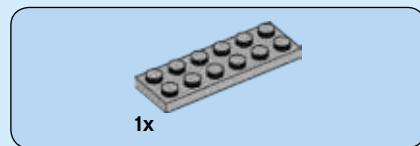
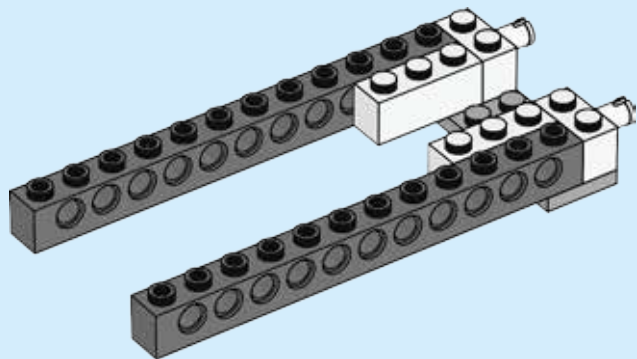


2

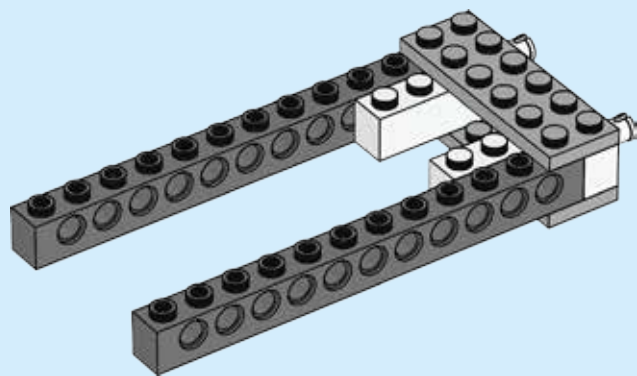


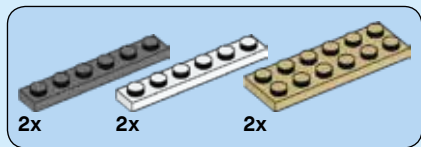


3

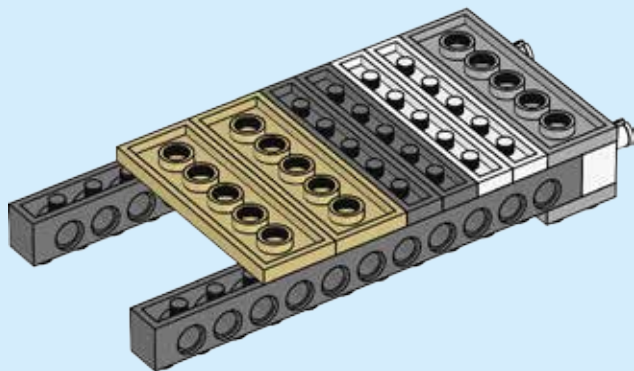
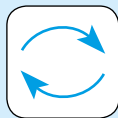


4





5



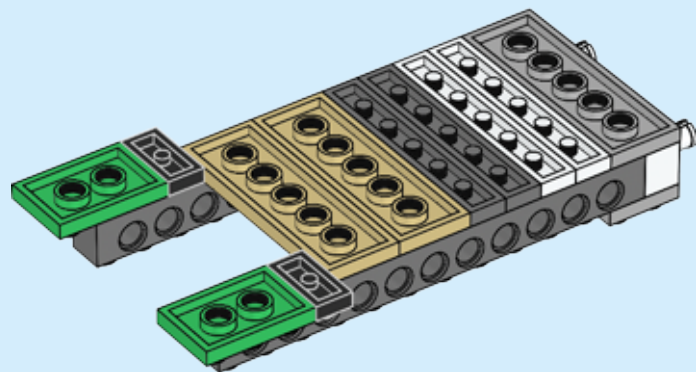


2x



2x

6



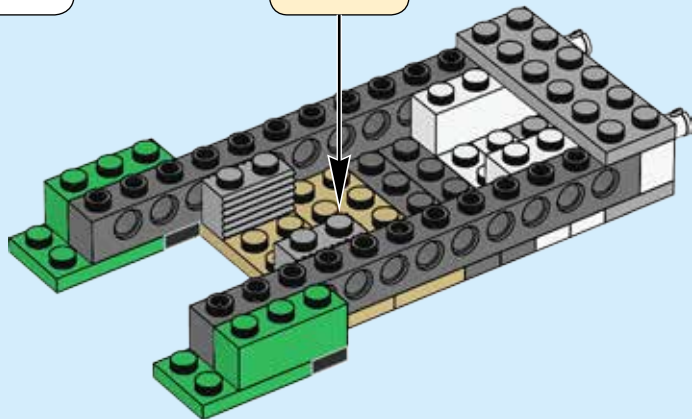
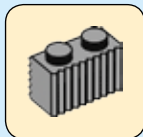
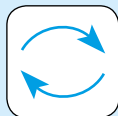


2x



2x

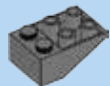
7



6

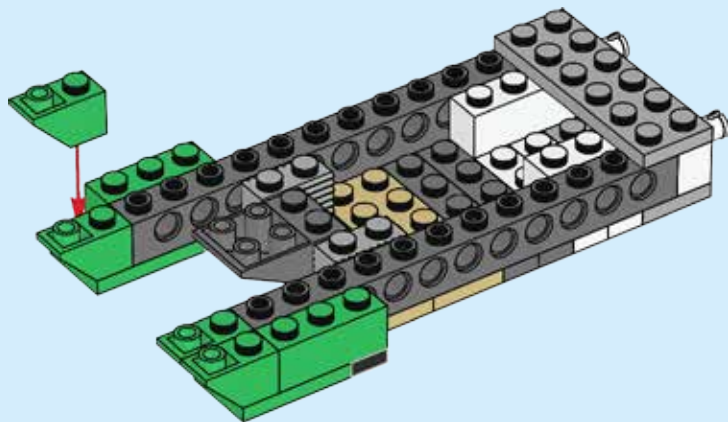


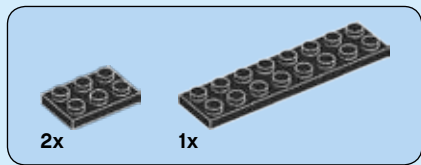
4x



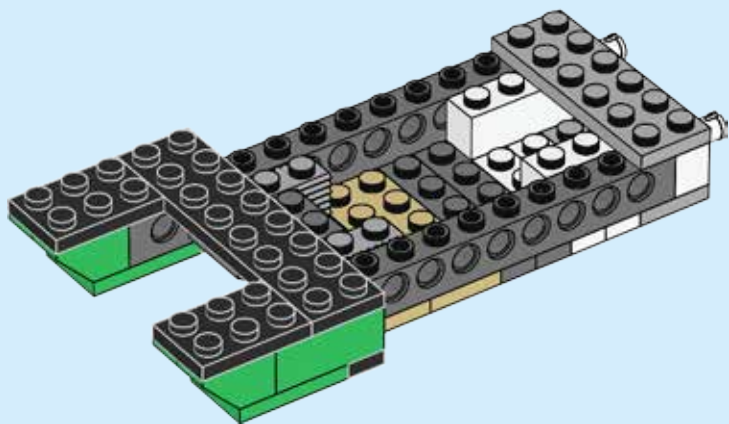
1x

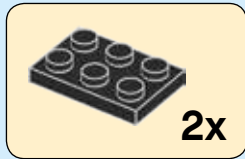
8



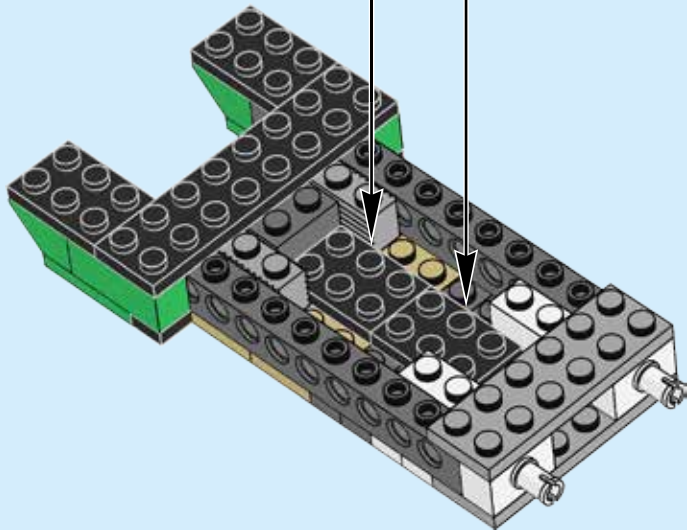


9





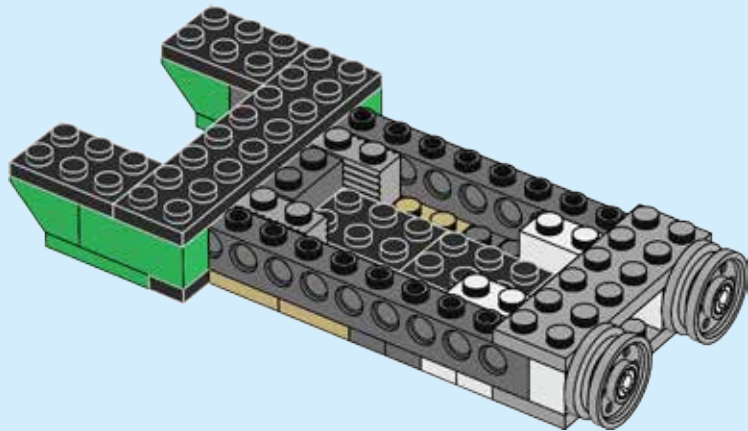
10





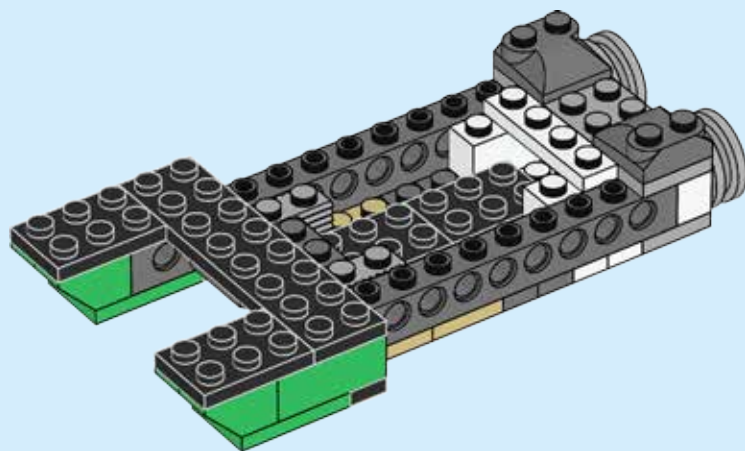
2x

11





12



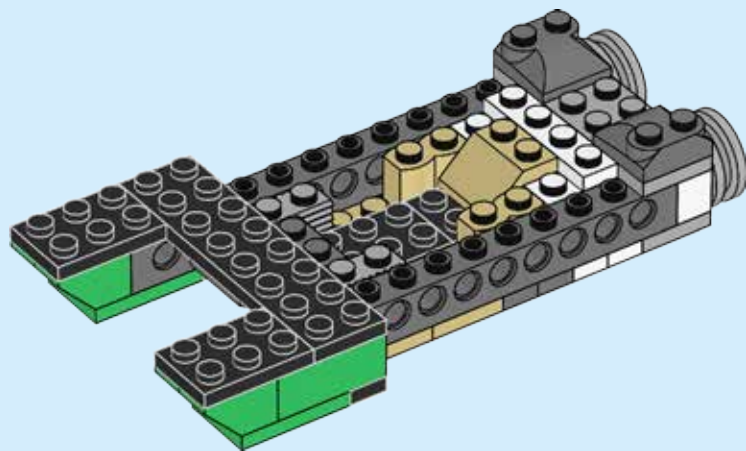


1x



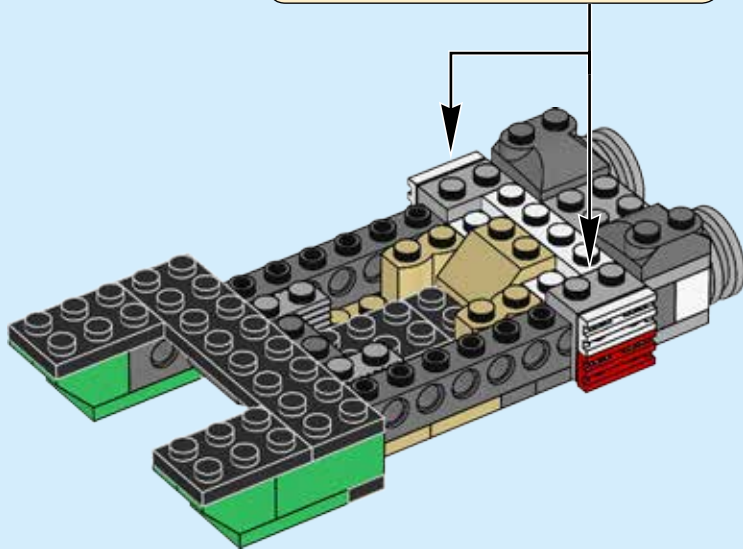
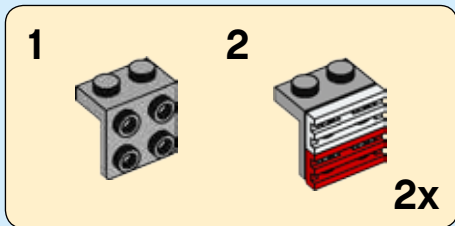
2x

13





14



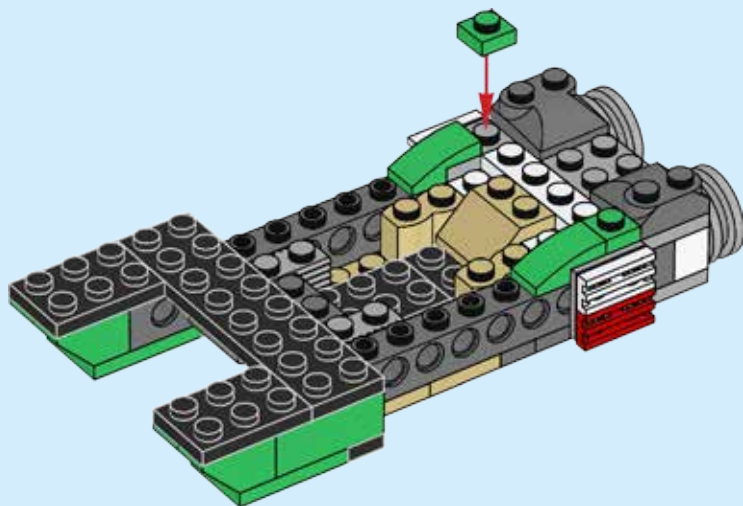


2x



2x

15



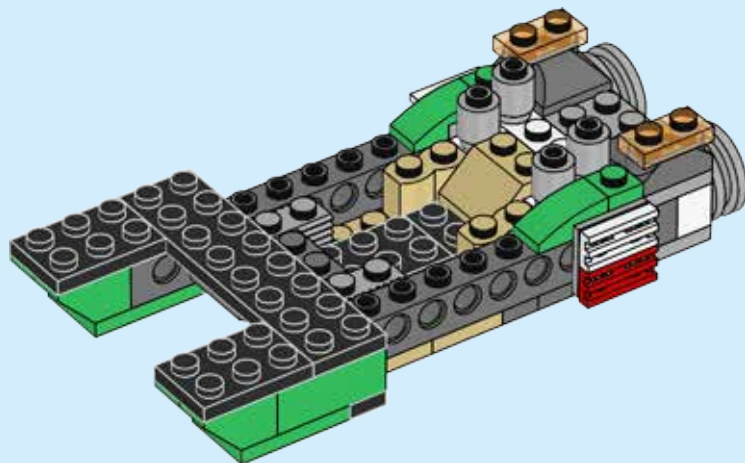


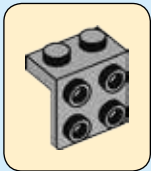
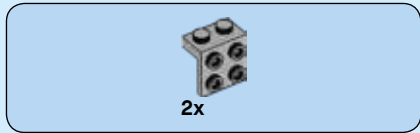
4x



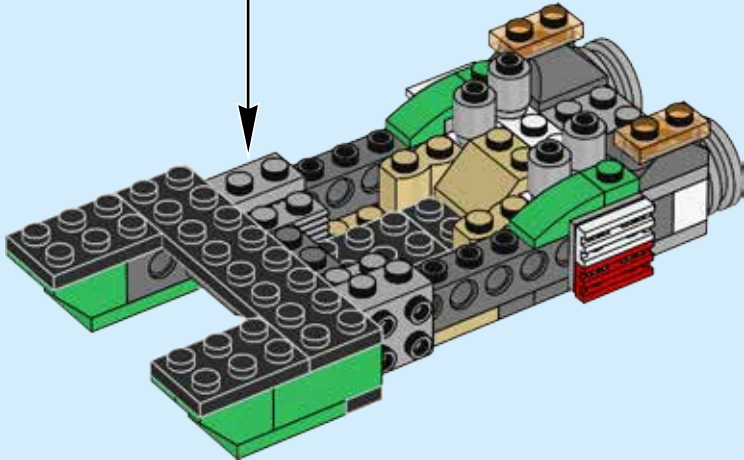
2x

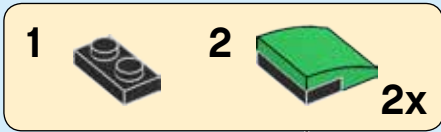
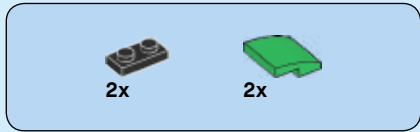
16



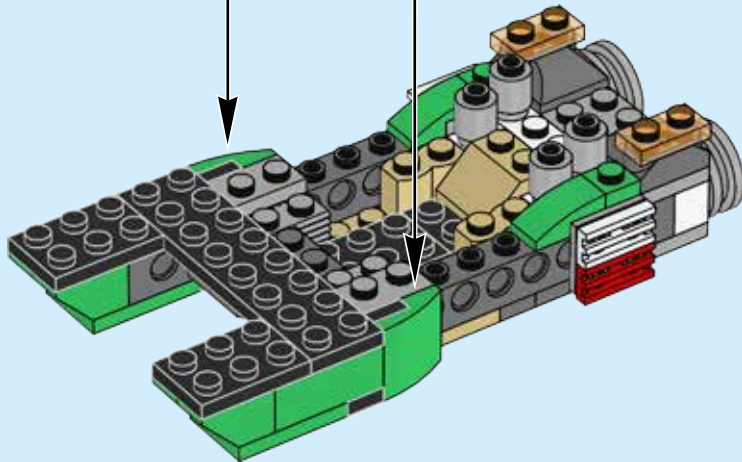


17



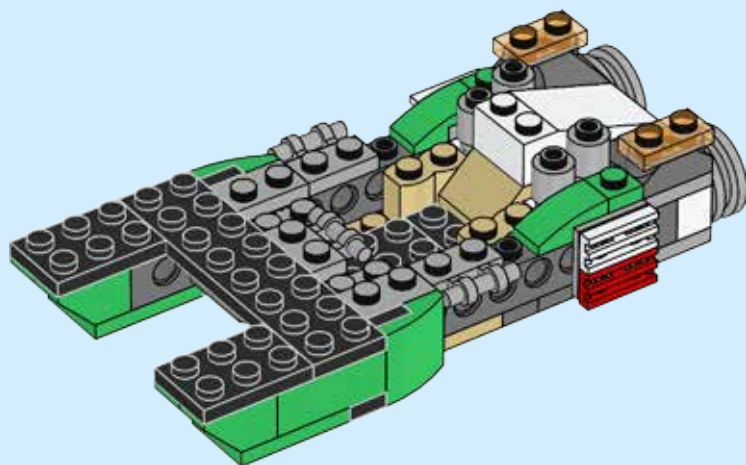


18





19





1x

1x

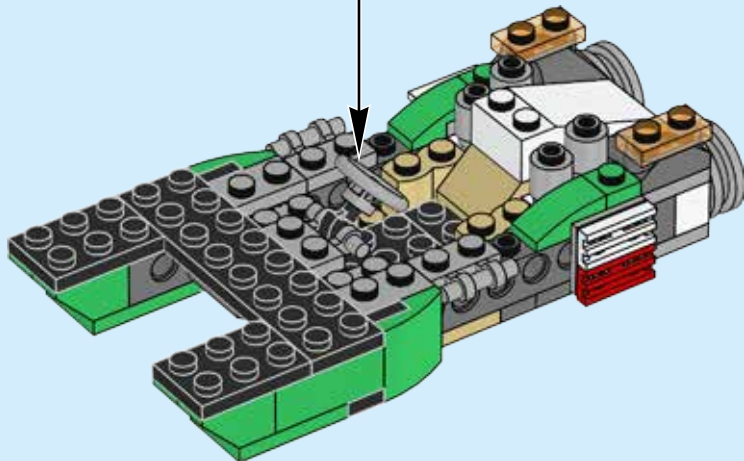
1



2



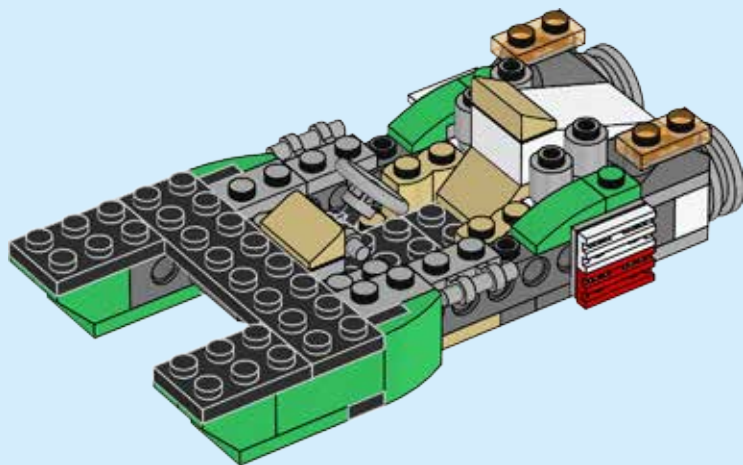
20



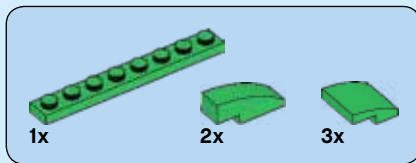


2x

21

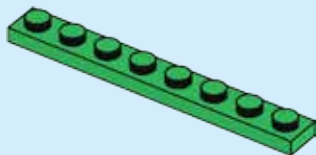


20

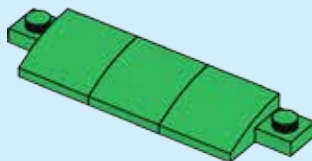


22

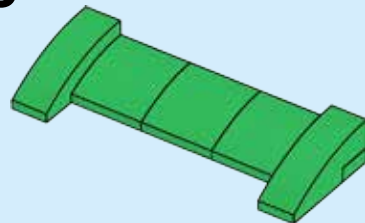
1

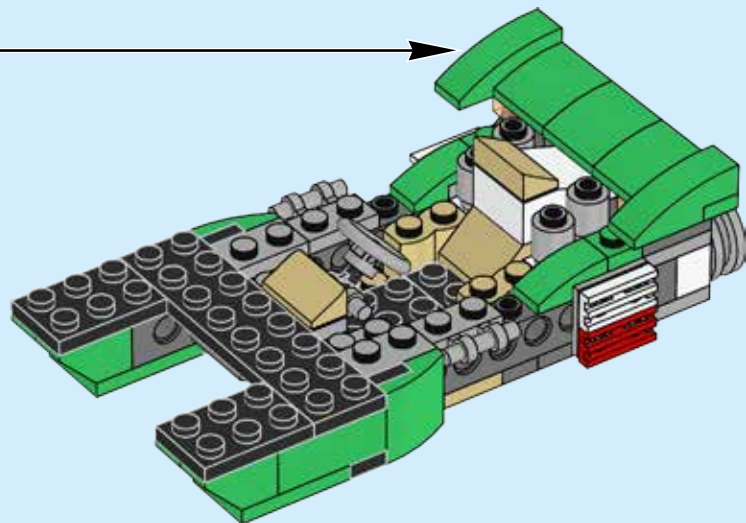


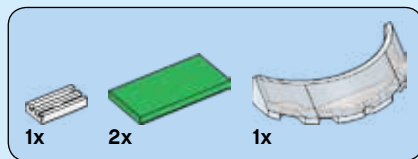
2



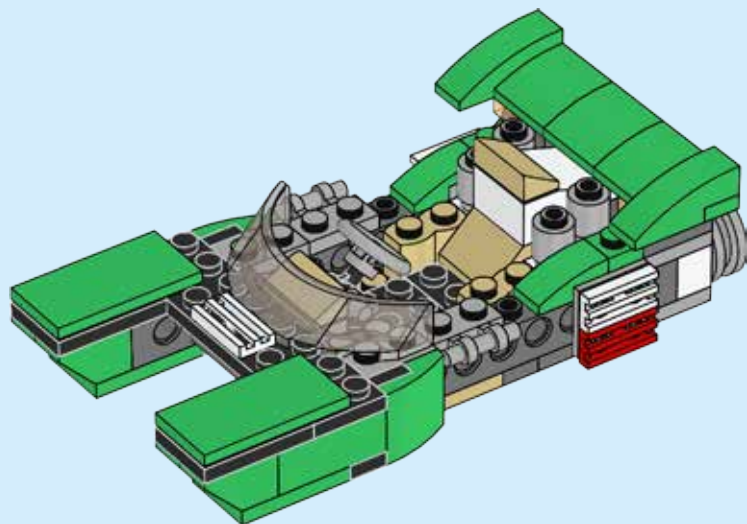
3







23





CREATOR



CREATOR ISLANDS



LEGO.com/creator

LEGO and the LEGO logo are trademarks of the/son des marques de commerce du/son marcas registradas de LEGO Group. ©2017 The LEGO Group.

Apple and the Apple logo are trademarks of Apple Inc., registered in the U.S. and other countries. App Store is a service mark of Apple Inc.

Google Play is a trademark of Google Inc.

Ask parents' permission first.
Demande d'abord l'autorisation d'un parent.
Pide antes permiso a tus padres.



6201552