



**BRICK  
HEADZ**

WIZARDING  
WORLD

40618



Harry Potter



### **Get excited about our new packaging!**

We're switching from plastic to paper-based packaging. That's why you might find a mix of paper and plastic in our boxes!

### **Nos nouveaux emballages vous emballeront !**

Nous passons des emballages en plastique aux emballages à base de papier. C'est pourquoi vous pourriez trouver un mélange de papier et de plastique dans nos boîtes !

### **¡Te presentamos nuestros nuevos empaques!**

Estamos sustituyendo las bolsas de plástico por bolsas con base de papel. ¡Por eso, puedes encontrar una mezcla de papel y de plástico en nuestras cajas!

**[LEGO.com/sustainable-packaging](https://www.lego.com/sustainable-packaging)**



# BUILDER



Apple and the Apple logo are trademarks of Apple Inc., registered in the U.S. and other countries and regions. App Store is a service mark of Apple Inc. Google Play and the Google Play logo are trademarks of Google LLC. Tencent and the Tencent logo are trademarks of Tencent Inc.

🔍 [LEGO.com/devicecheck](https://LEGO.com/devicecheck)

**EN** Ask parents' permission before going online | **DE** Eltern um Erlaubnis bitten, bevor du online gehst | **FR** Demande l'autorisation d'un parent avant d'aller en ligne | **IT** Chiedi il permesso ai tuoi genitori prima di andare online | **ES** Pídeles permiso a tus papás antes de conectarte a Internet | **PT** Peça autorização aos pais antes de acederes online | **ZH** 上网前应先征得父母的同意 | **PL** Poproś rodziców o zgodę, zanim wejdiesz do Internetu | **CS** Než půjdeš na internet, požádej rodiče o svolení | **SK** Skôr než pôjdeš na internet, vypýtaj si povolenie od rodičov | **HU** Kérj szülői engedélyt, mielőtt online csatlakoznál! | **RO** Cere permisiunea părinților înainte de a te conecta online | **BG** Поискайте разрешение от родител, преди да влезете онлайн | **LV** Pirms došanās tiešsaistē palūdz atļauju vecākiem | **ET** Enne Interneti kasutamist küsi vanematelt luba | **LT** Prieš prisijungdami prie interneto, atsiklauskite tėvų

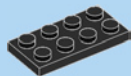
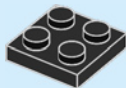






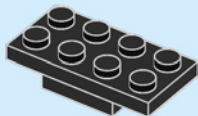
1x

1



1x

2





4x



2x



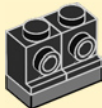
2x

3

1



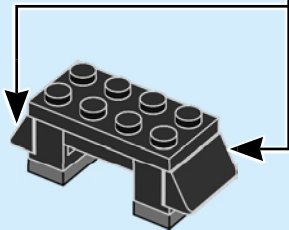
2



3



2x



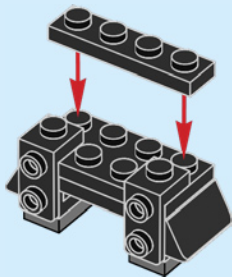


1x



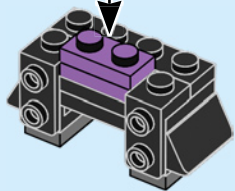
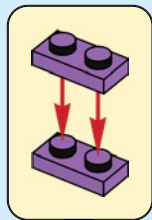
2x

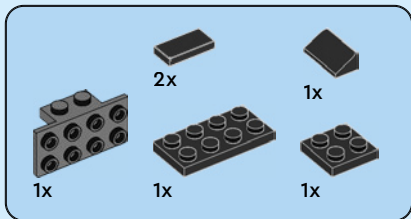
4



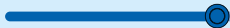
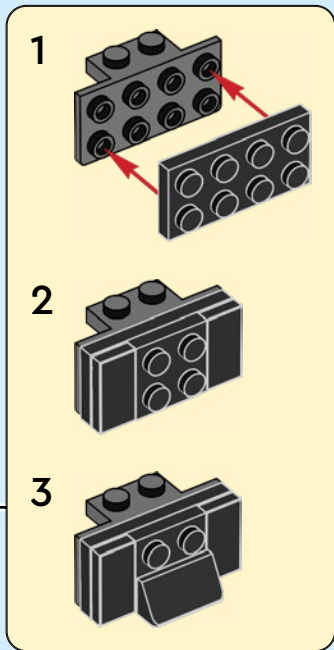
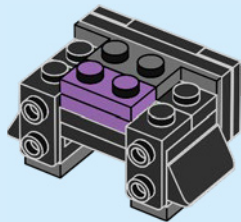
2x

5





6

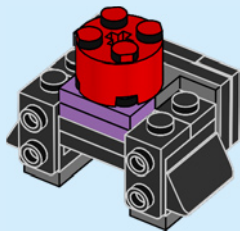






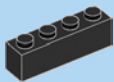
1x

7





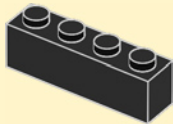
2x



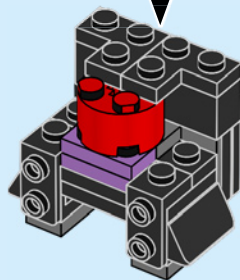
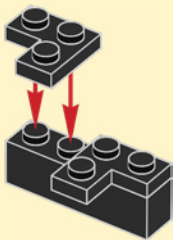
1x

8

1



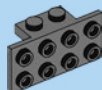
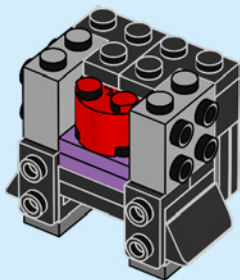
2





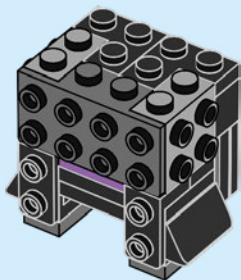
2x

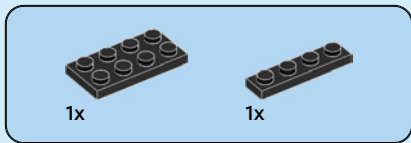
9



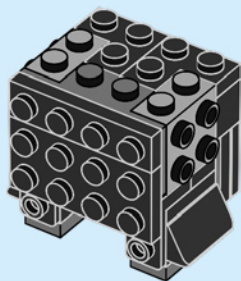
1x

10





11





2x

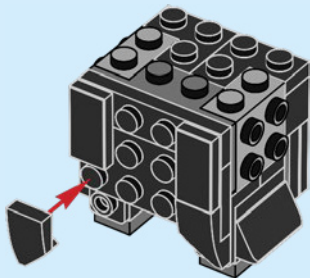


1x



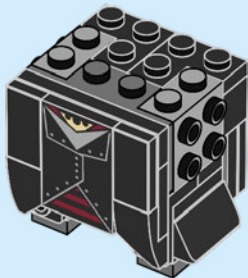
1x

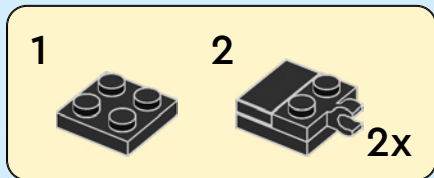
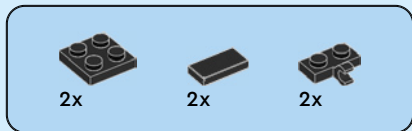
# 12



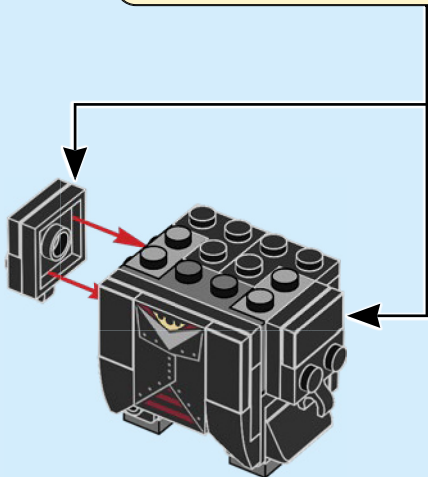
1x

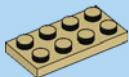
# 13





14



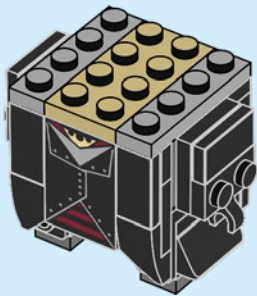


1x



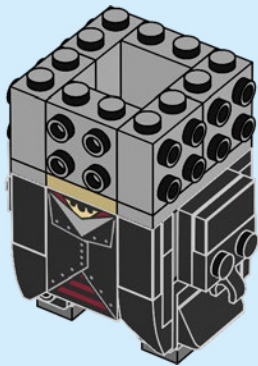
2x

15



6x

16





2x

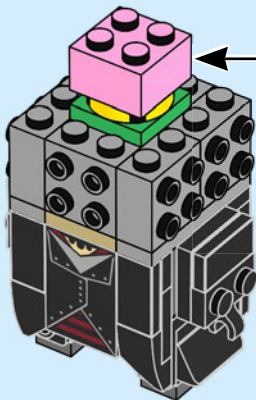


1x

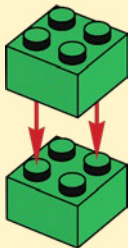


1x

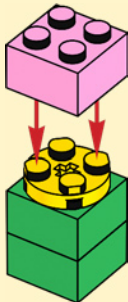
# 17



1



2

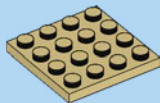
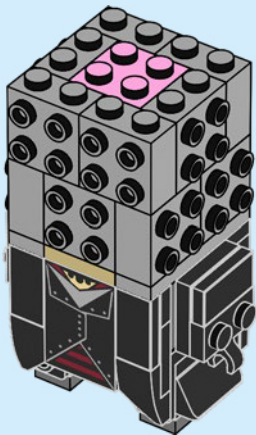






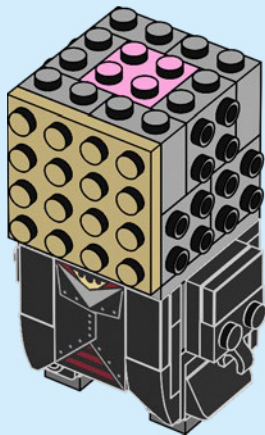
6x

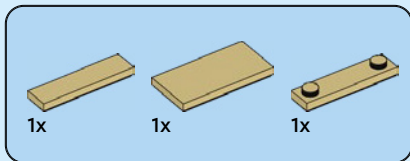
18



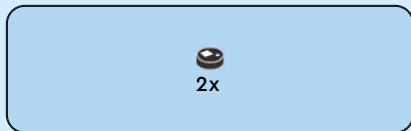
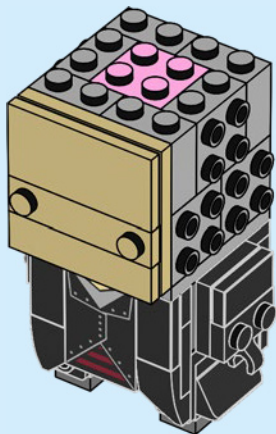
1x

19

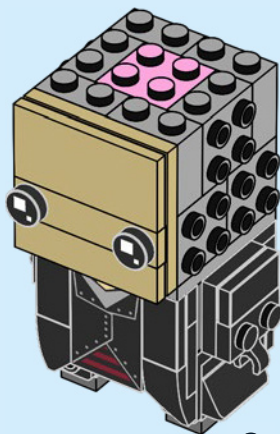


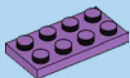


20



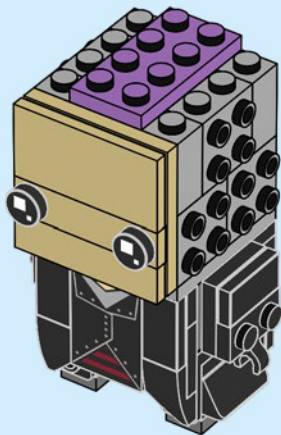
21





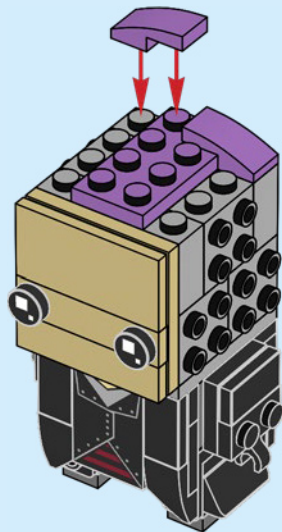
1x

22



2x

23



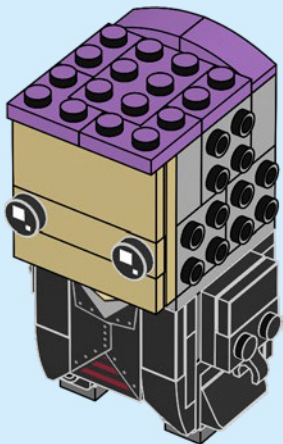


2x



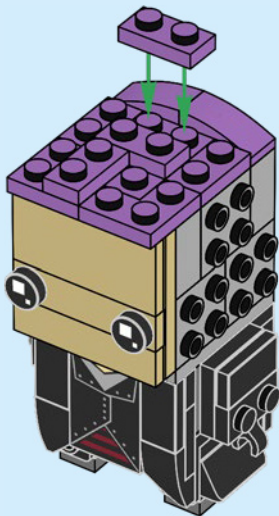
2x

# 24



3x

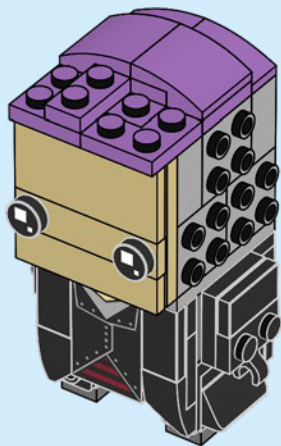
# 25





2x

26

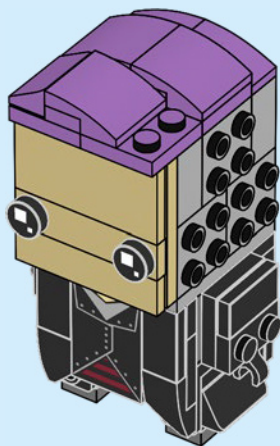


1x



1x

27





2x



3x



1x



1x



1x



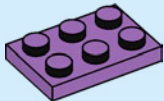
2x



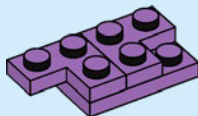
1x

# 28

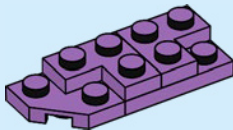
## 1



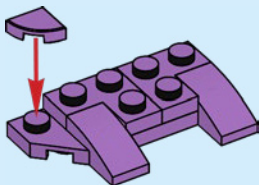
## 2



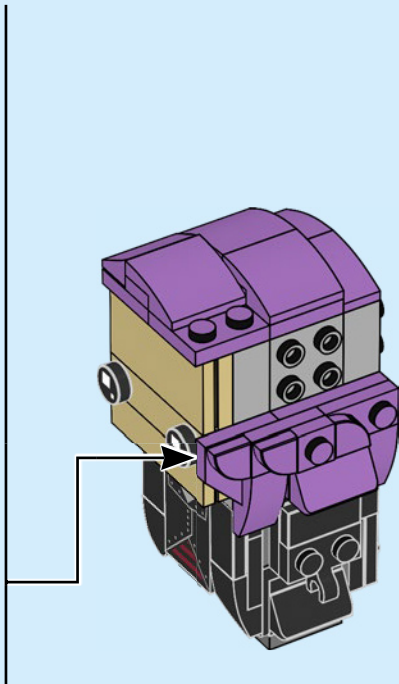
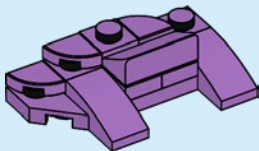
## 3

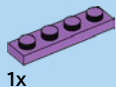


4



5





1x



1x



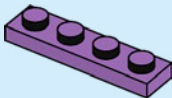
1x



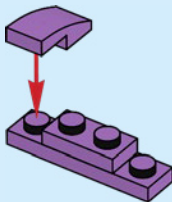
1x

# 29

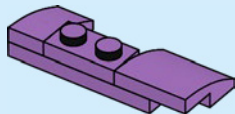
## 1



## 2

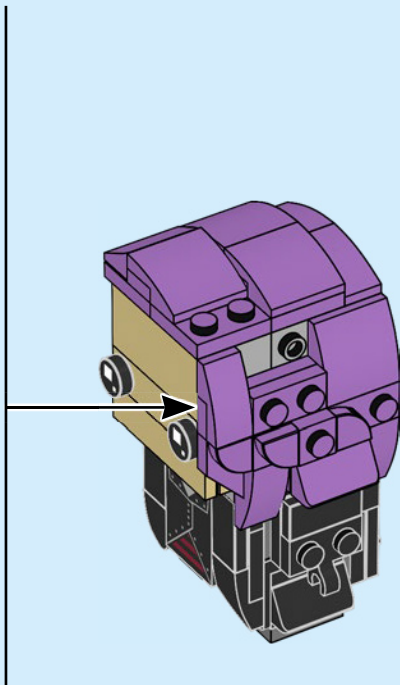
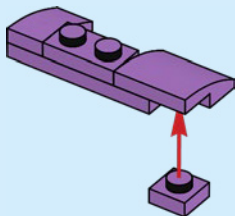


## 3





4



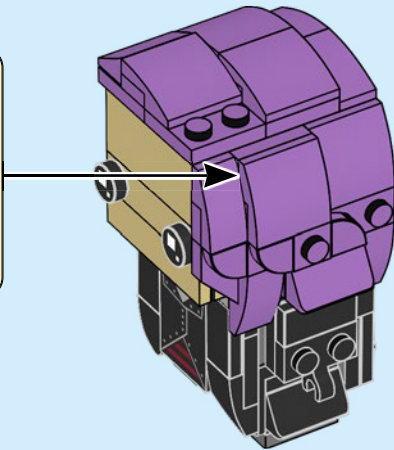
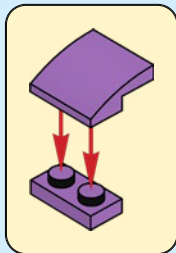


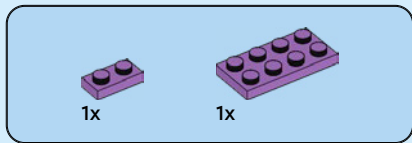
1x



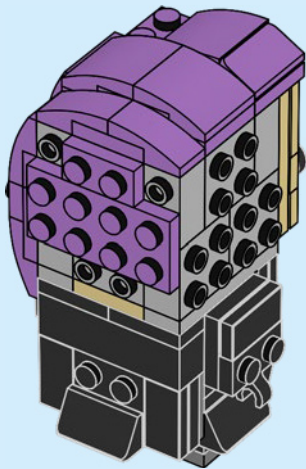
1x

# 30





31



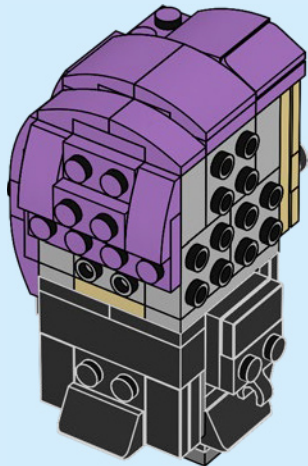


1x



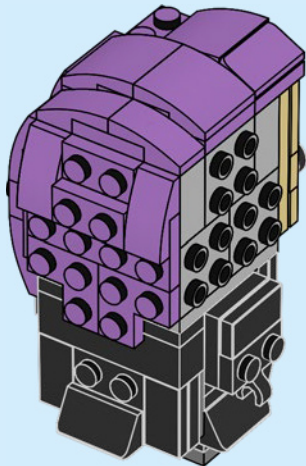
2x

32



2x

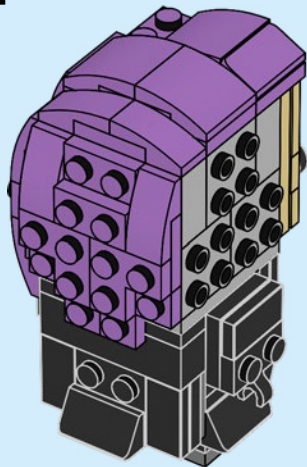
33





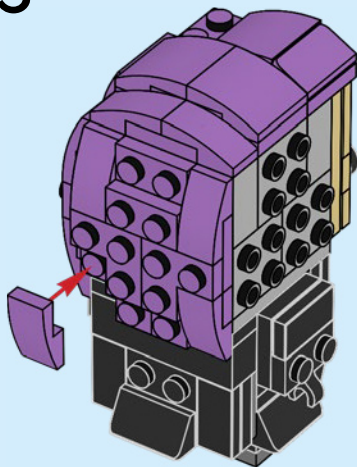
2x

34



2x

35





1x



1x

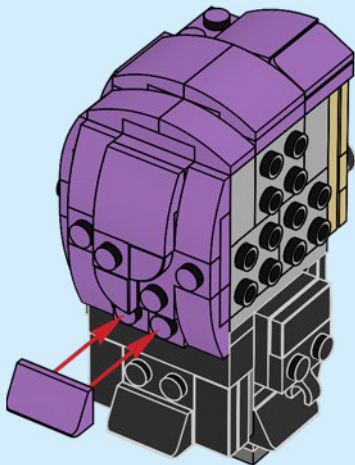


2x



1x

# 36





2x



3x



1x



1x



1x



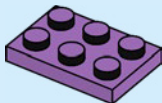
2x



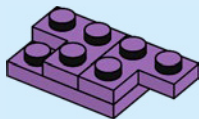
1x

# 37

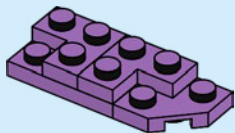
## 1



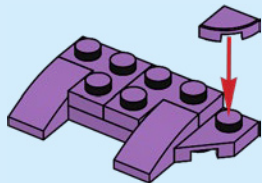
## 2



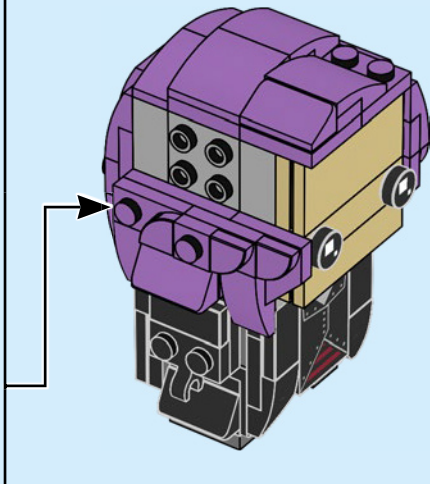
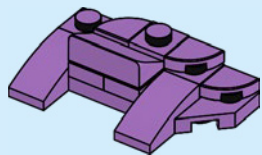
## 3



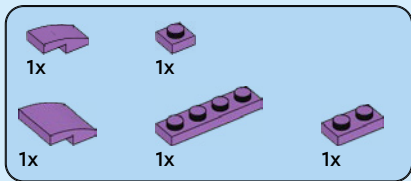
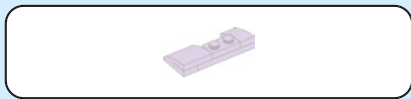
4



5

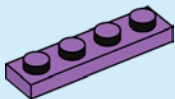




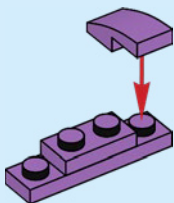


38

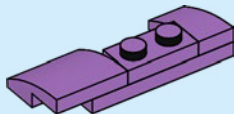
1



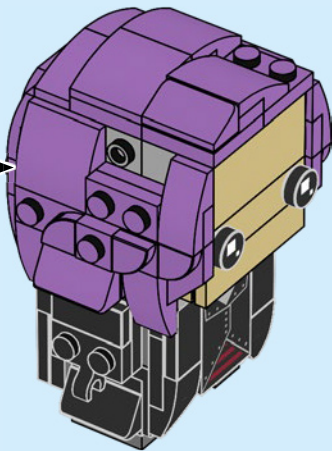
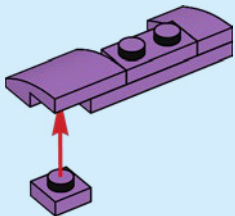
2



3



4



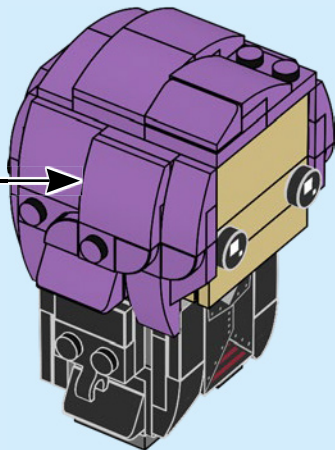
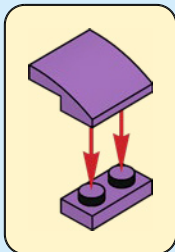


1x



1x

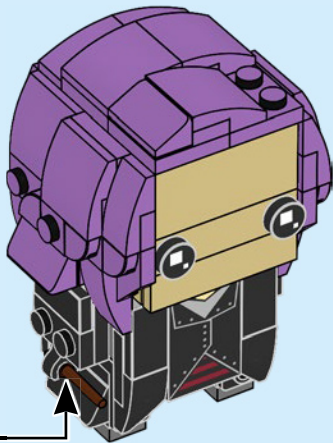
# 39

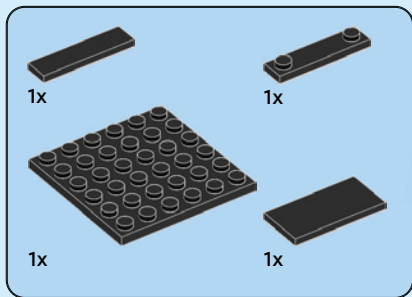




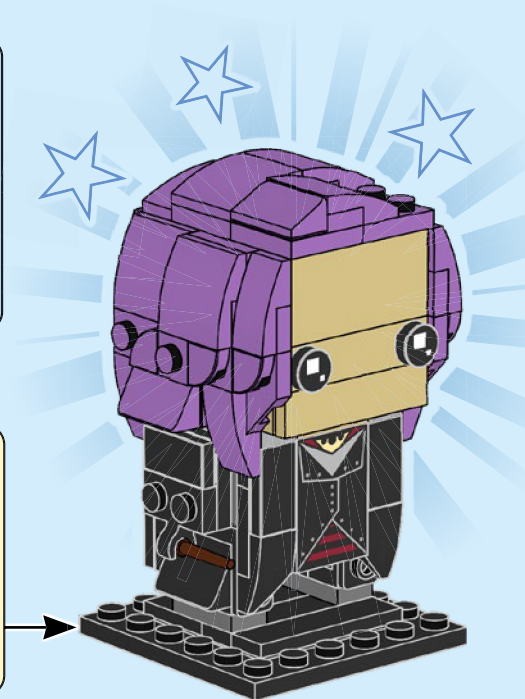
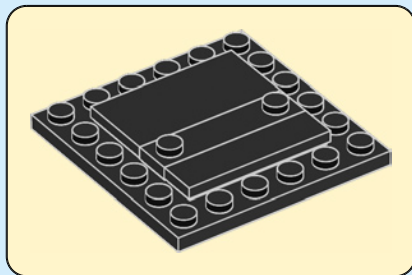
1x

40





41





1x  
6257600



1x  
4550324



1x  
4114309



1x  
6122047



1x  
4243824



6x  
302323



2x  
306923



2x  
302223



8x  
6445163



6x  
362323



2x  
6194751



6x  
243123



6x  
302023



4x  
6284077



1x  
6270027



4x  
407026



1x  
6181720



2x  
6380236



1x  
6181713



3x  
4548180



2x  
6313116



2x  
242026



4x  
302226



6x  
306926



3x  
302026



2x  
4560182



1x  
301026



2x  
371026



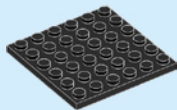
2x  
6254045



2x  
243126



1x  
6445165



2x  
395826



2x  
6046979



2x  
371001



4x  
403224



1x  
6270028



2x  
6035291



2x  
6313124



2x  
4216695



2x  
4271949



2x  
6196221



4x  
4211189



5x  
4211194



1x  
6257604



1x  
4579690



8x  
6199893



5x  
4619521



4x  
6335182



13x  
4619512



2x  
6424858



12x  
6136331



10x  
4619517



8x  
6139090



2x  
6344844



2x  
4619524



2x  
4619516



2x  
614321



28x  
6123809



2x  
4211445



4x  
6336391



8x  
4655695



1x  
4613192



1x  
6445164



1x  
6047422



1x  
6030277



5x  
4211063



2x  
6118832



2x  
4550359



4x  
300328



1x  
6062089



2x  
6111685



[LEGO.com/service](https://www.lego.com/service)

YOU COULD

WIN



Scan this QR code or go to  
**LEGO.COM/PRODUCTFEEDBACK** and give us  
your short feedback about this LEGO® set  
for a chance to win a cool LEGO prize.  
Terms and Conditions apply\*

**EN: YOU COULD WIN.** Terms and Conditions apply\* **DE: Du könntest GEWINNEN.** Es gelten die Teilnahmebedingungen\* **FR: Tu pourrais GAGNER.** Des conditions s'appliquent\* **IT: Potresti VINCERE tu.** Termini e condizioni sono applicabili\* **ES: Puedes GANAR.** Aplican términos y condiciones\* **PT: Poderá GANHAR.** Aplicam-se termos e condições\* **ZH: 轻松获奖. 条款和条件适用\*** **PL: Szansa na WYGRANĄ.** Obowiązują warunki korzystania\* **CS: Máte šanci VYHRÁT.** Platí všeobecné smluvní podmínky\* **SK: Máte šancu VYHRÁT.** Platia všeobecné zmluvné podmienky\* **HU: TE IS NYERHETSZ.** Felhasználási feltételek érvényesek\* **RO: Ai putea CÂȘTIGA.** Se aplică termenii și condiții\* **BG: Можете да СПЕЧЕЛИТЕ.** Има определени правила и условия\* **LV: Tu vari LAIMĒT.** Ir spēkā noteikumi un nosacījumi.\* **ET: Sul on võimalus VÕITA.** Kehtivad tingimused\* **LT: Jūs galite LAIMĖTI.** Taikomos sąlygos\*

\*[LEGO.com/productfeedback/terms](https://www.lego.com/productfeedback/terms)

LEGO and the LEGO logo are trademarks of the/sont des marques de commerce du/son marcas registradas de LEGO Group. ©2023 The LEGO Group.

WIZARDING WORLD and all related trademarks, characters, names, and indicia are © & ™ Warner Bros. Entertainment Inc. Publishing Rights © JKR. (s23)

6466943