



Mixels

41521



1



2



3



4



5



6



7



8



9





1



2



3



4



5



6



7



10

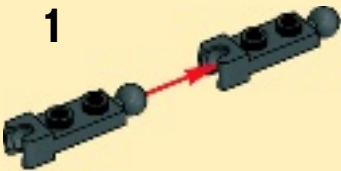


10

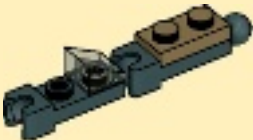
11



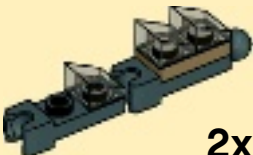
1



2



3



2x



1



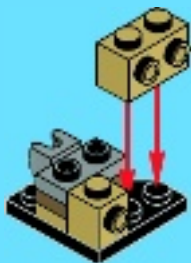
2



3



4



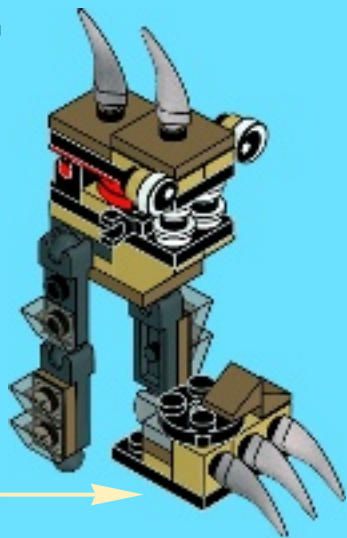
5



6



12





1



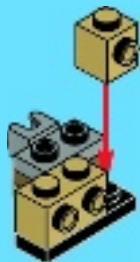
2



3



4



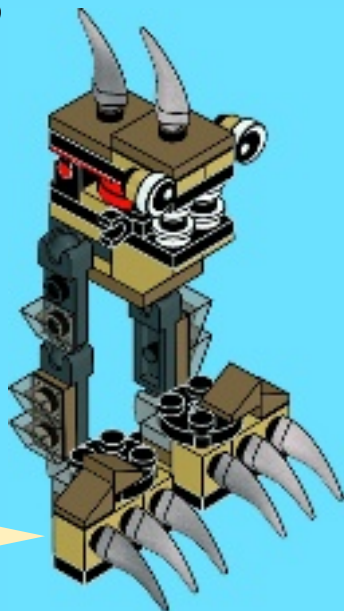
5



6



13



1

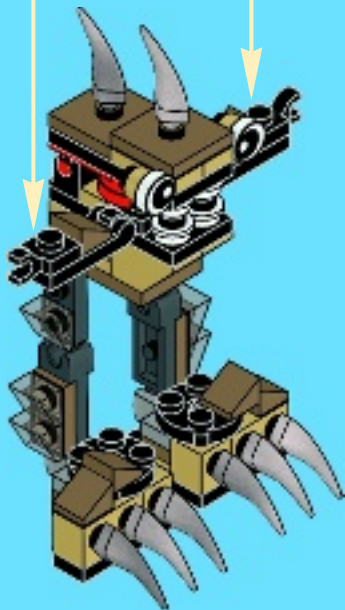


2



2x

14





2x
6029156



4x
4113917



4x
4517925



1x
393726



6x
6040126



1x
6035540



6x
614101



2x
4114084



2x
4515368



6x
4244368



4x
4528604



2x
6043656



2x
4579260



2x
4632573



2x
403226



8x
4617190



2x
4578032



2x
6039479



2x
6024495



1x
6066342



2x
4227684



4x
6039482



2x
4159196



1x
613421



2x
302026



Customer Service

Kundenservice

Service Consommateurs

Servicio Al Consumidor

LEGO.com/service or dial



: 00800 5346 5555

: 1-800-422-5346



LEGO.com/mixels



CALLING ALL Mixels™



**YOU CAN
BUY THE
GAME!**



SP1KEFOO4T

IN GAME CODE!



Apple, the Apple logo, iPad, iPhone and iPod touch are trademarks of Apple Inc., registered in the U.S. and other countries. App Store is a service mark of Apple Inc. Google Play is a trademark of Google Inc.



Mixels



41500
FLAIN



41501
VULK



41502
ZORCH



41503
KRADER



41504
SEISMO



41505
SHUFF



41506
TESLO



41507
ZAPTOR



41508
VOLECTRO



LEGO.com/mixels





**41509
SLUMBO**



**41510
LUNK**



**41511
FLURR**



**41518
GLOMP**



**41519
GLURT**



**41520
TORTS**



**41512
CHOMLY**



**41513
GOBBA**



**41514
JAWG**



**41521
FOOTI**



**41522
SCORPI**



**41523
HOOGI**



**41515
KRAW**



**41516
TENTRO**



**41517
BALK**



**41524
MESMO**



**41525
MAGNIFO**



**41526
WIZWUZ**