



TECHNIC

42034

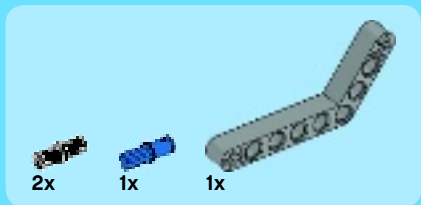


1

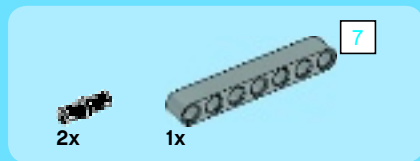


2

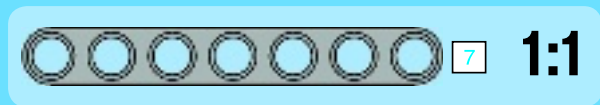
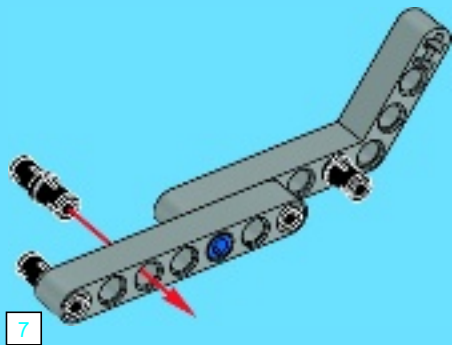




1



2



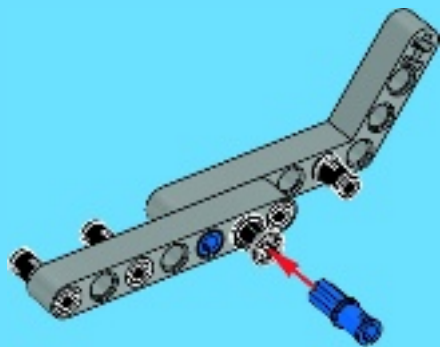


1x

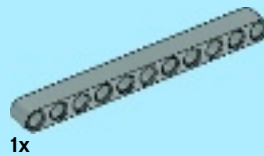


1x

3



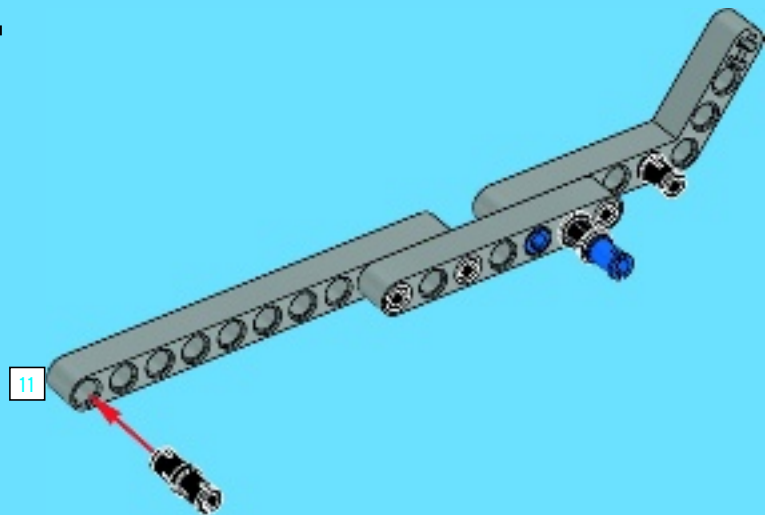
1x



1x

11

4

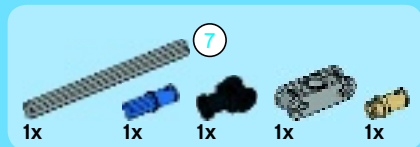


11

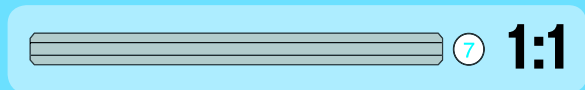
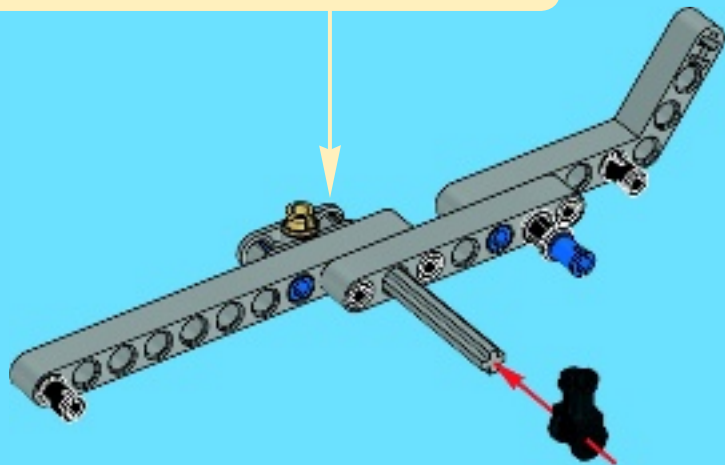
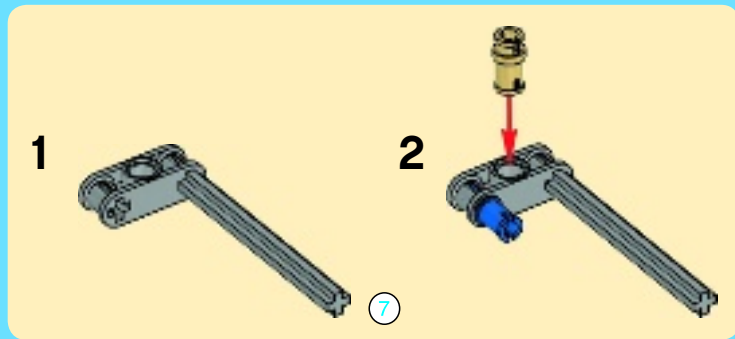


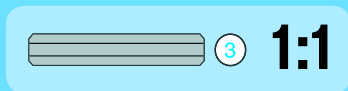
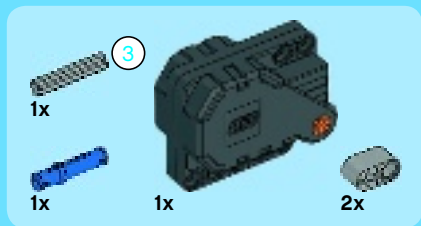
11

1:1



5



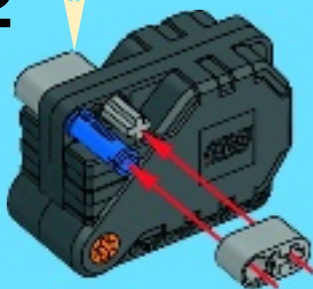


6

1

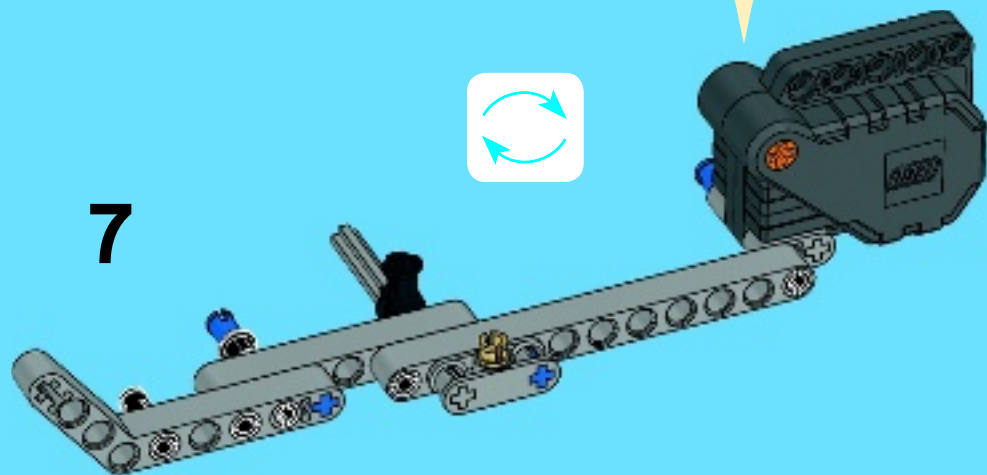


2

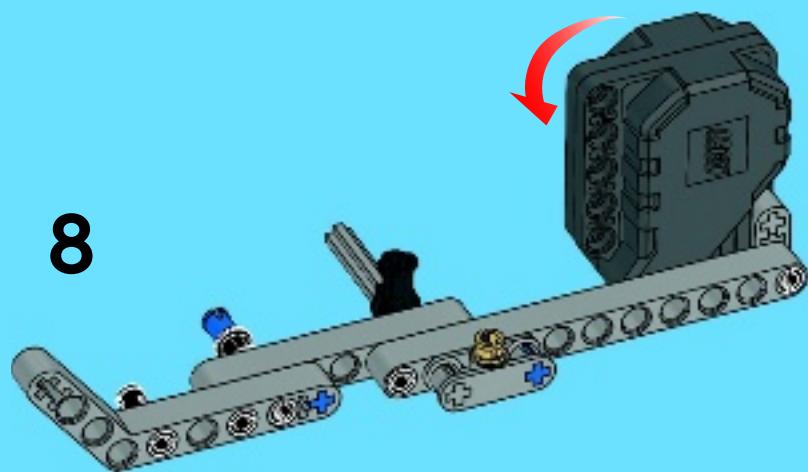


3



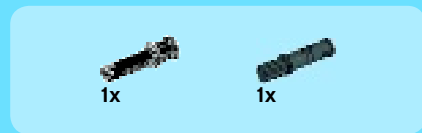


8





1



2





1x

3



3x

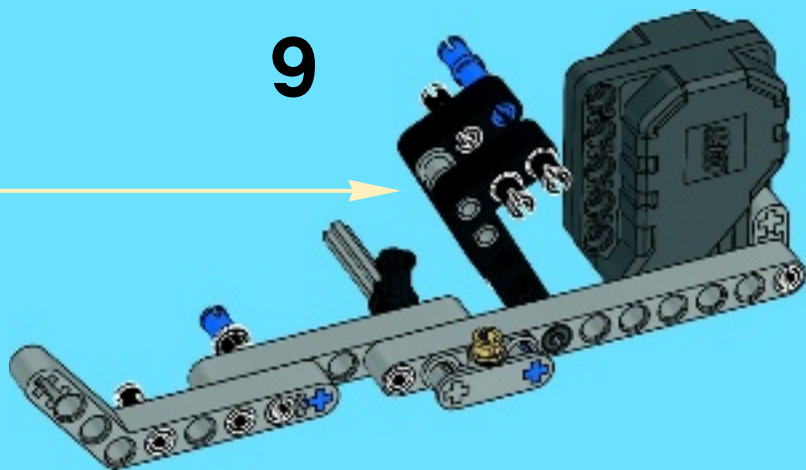


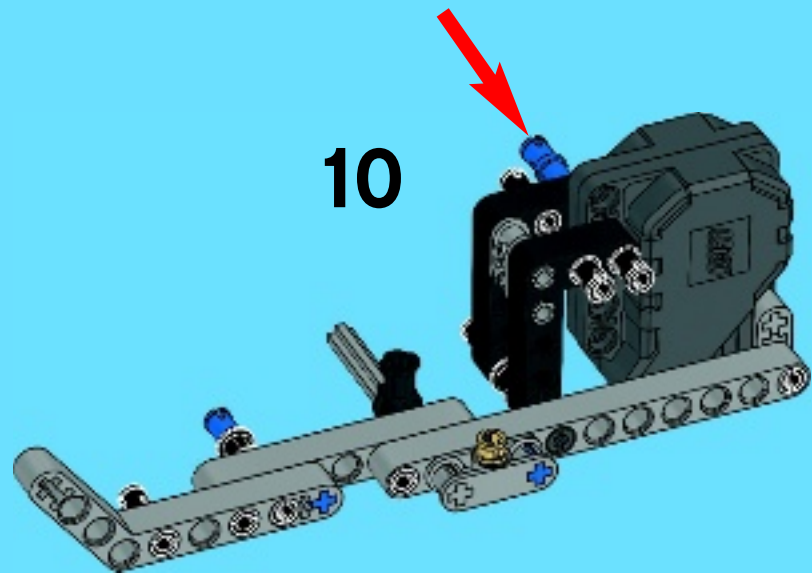
1x

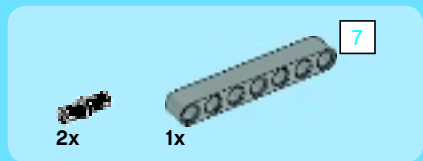
4



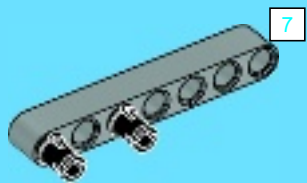
9



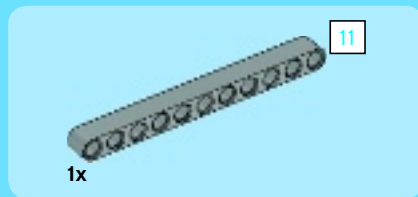




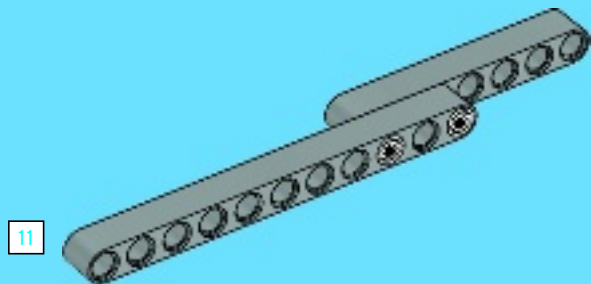
1



1:1

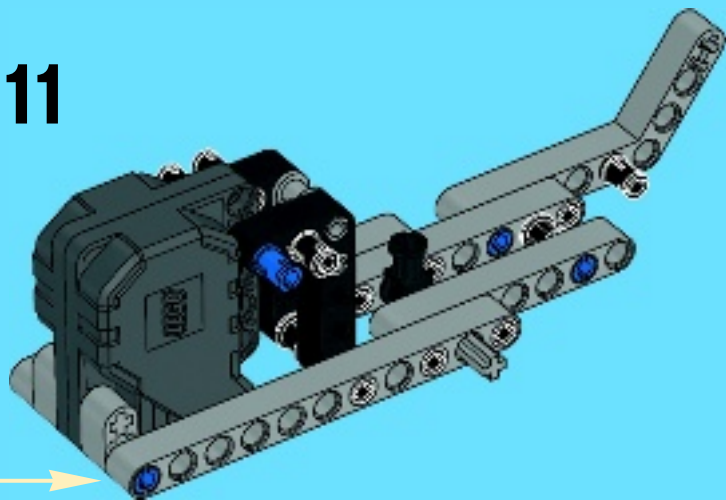


2





11





1x



1x



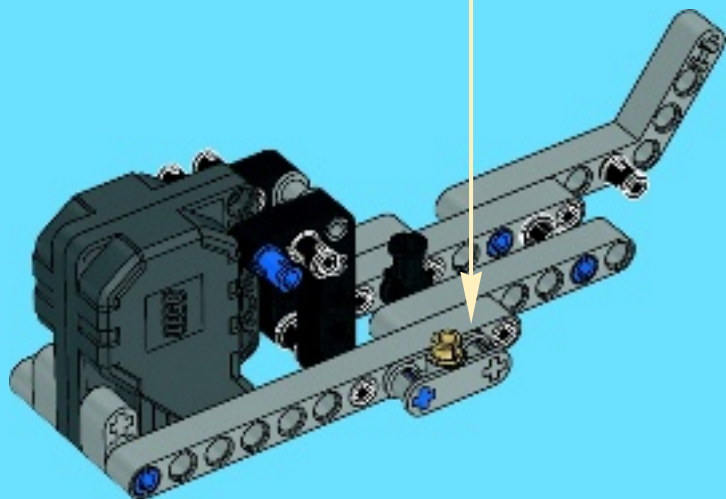
1x

12

1



2



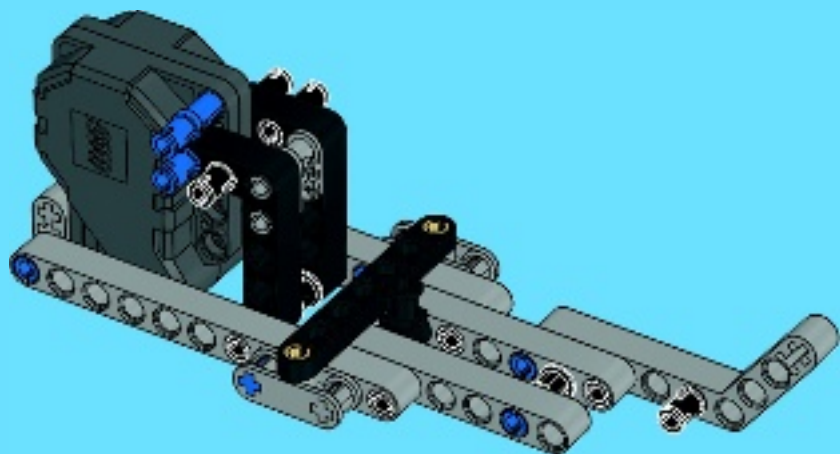


1x



1x

13





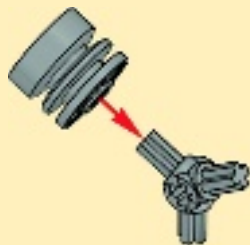
2x



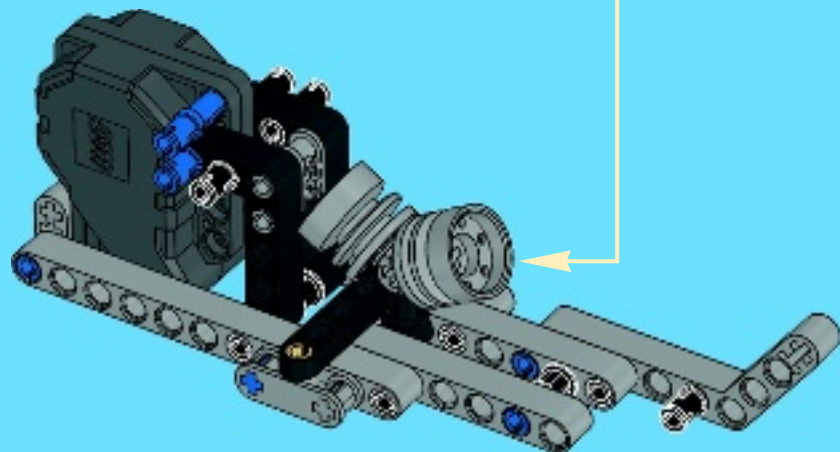
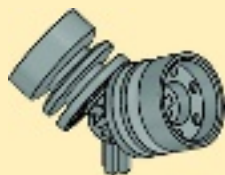
1x

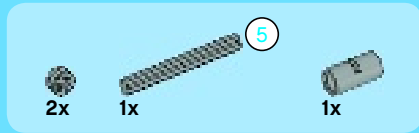
14

1

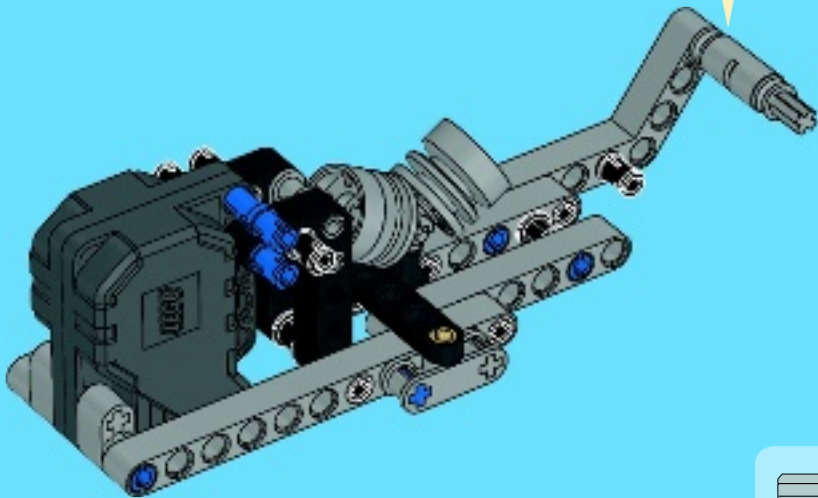
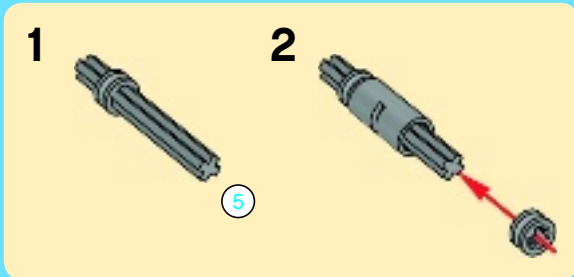


2



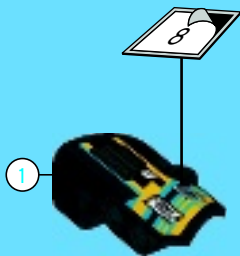


15

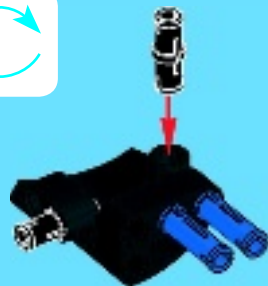




1

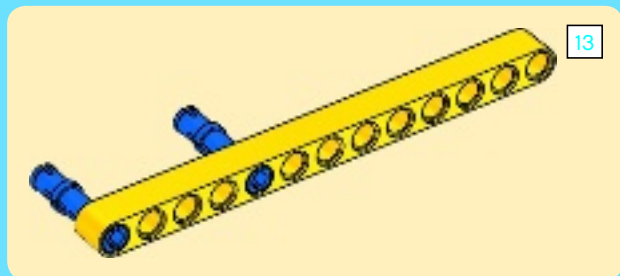


2



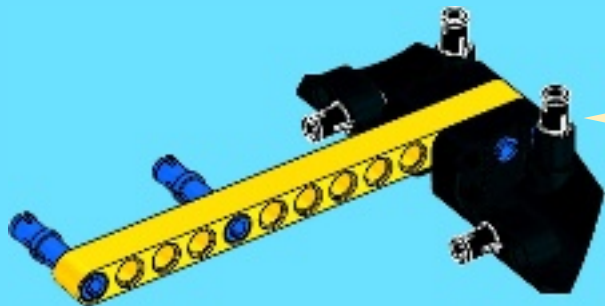
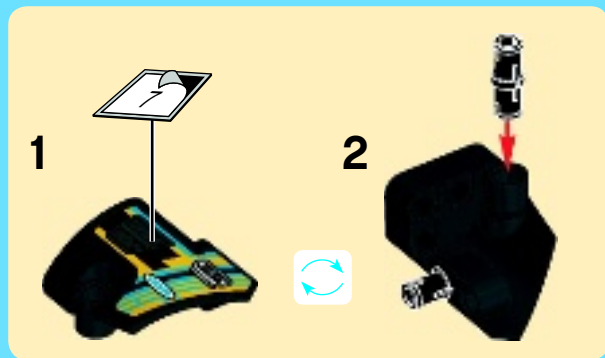


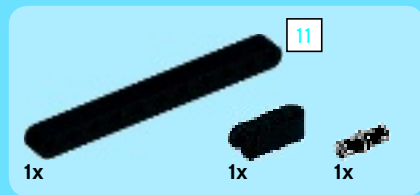
3



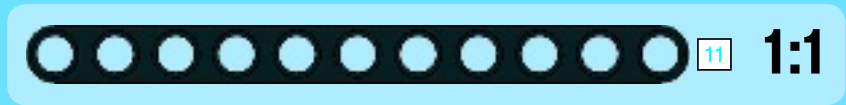
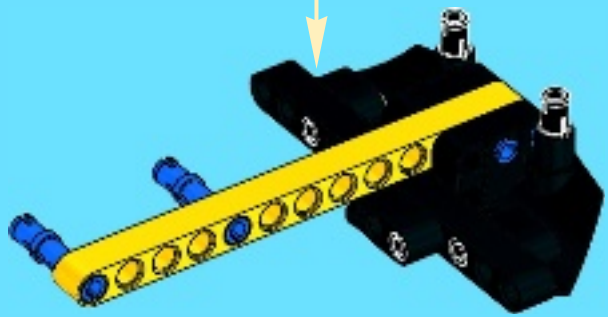
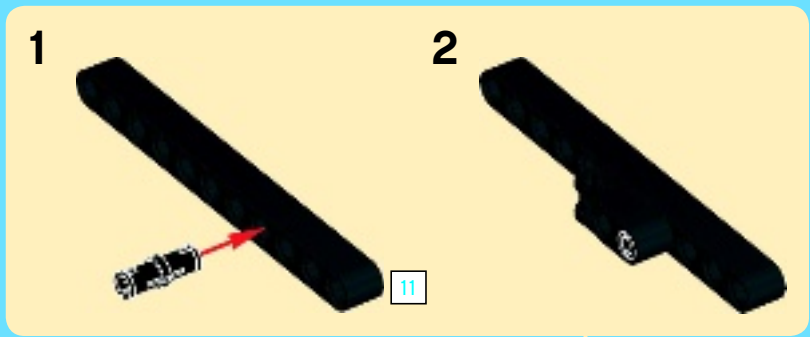


4



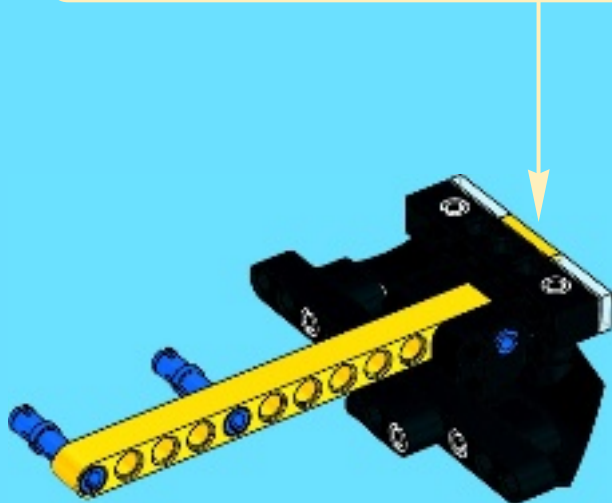
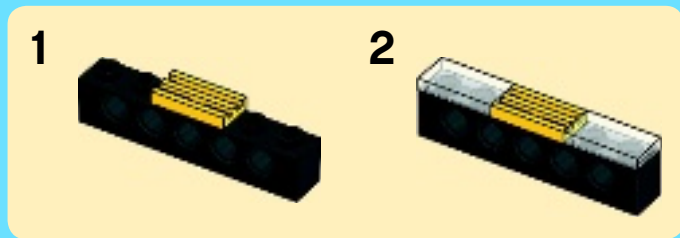


5





6



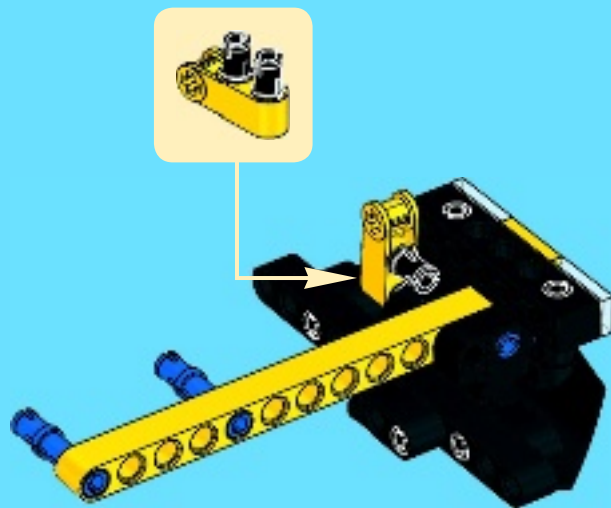


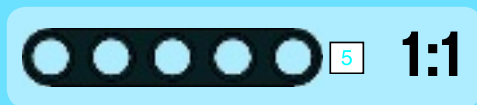
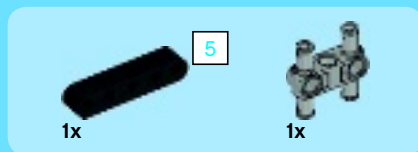
2x



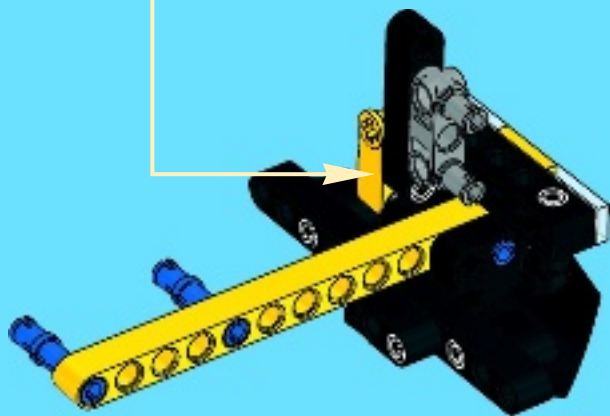
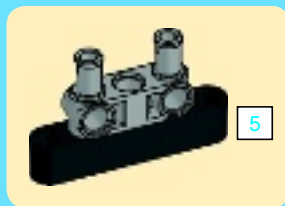
1x

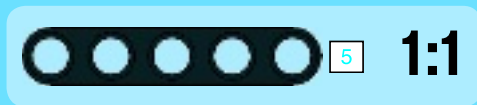
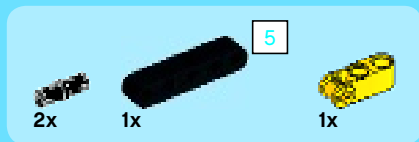
7



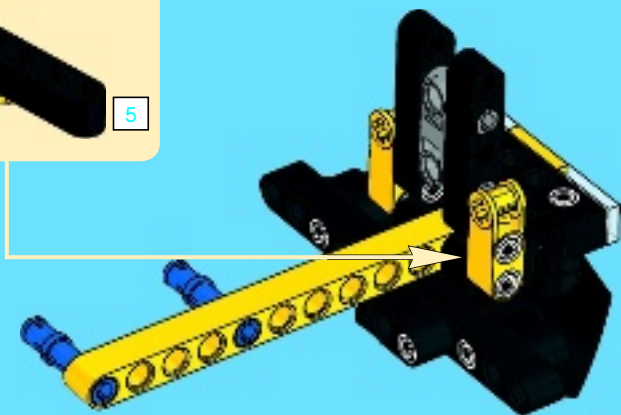


8





9





1x



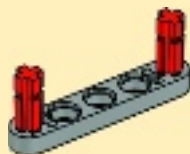
2x



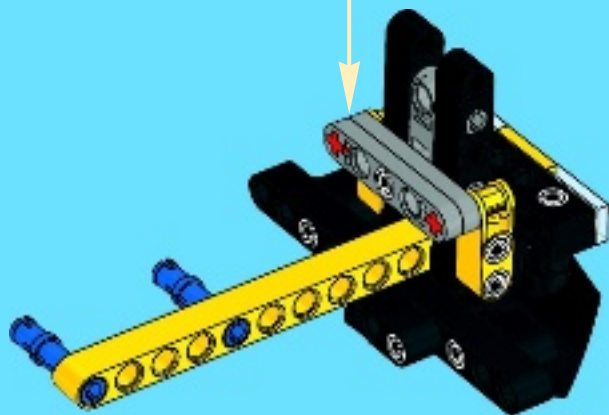
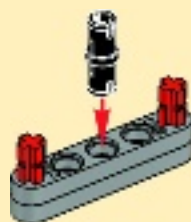
2x

10

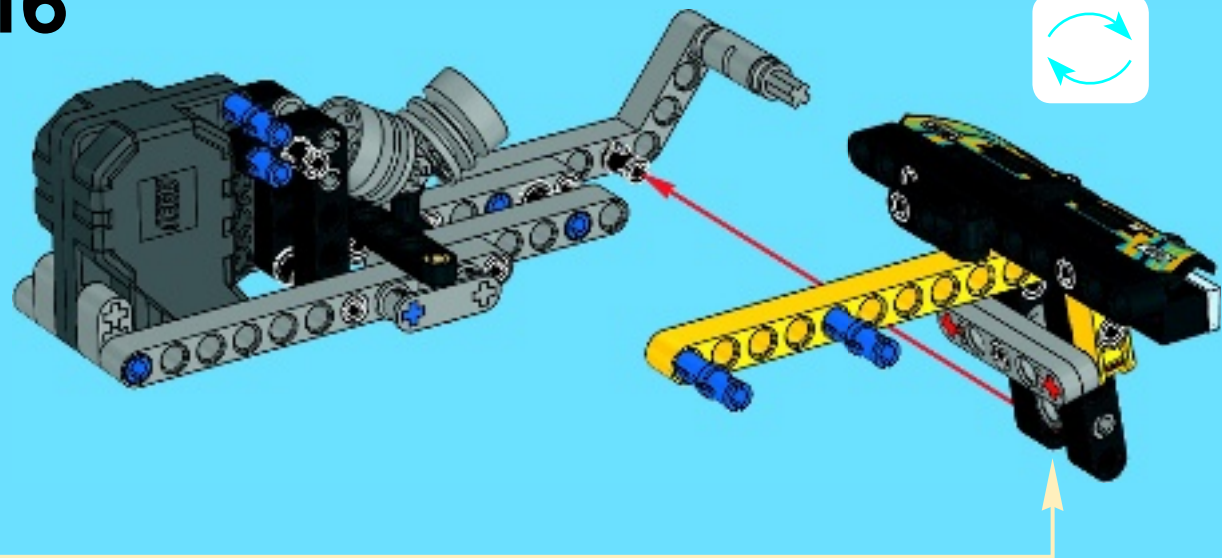
1

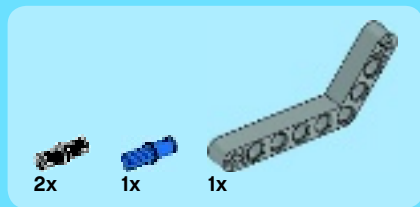


2

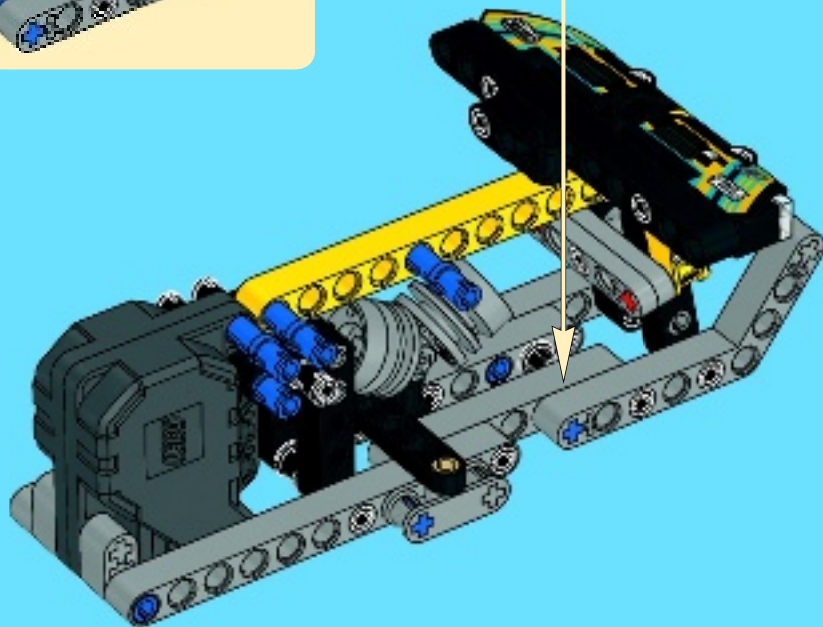
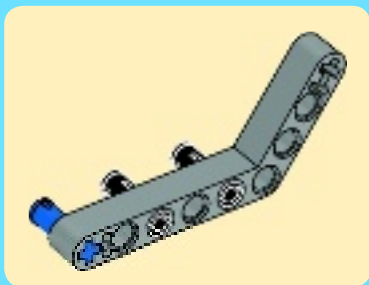


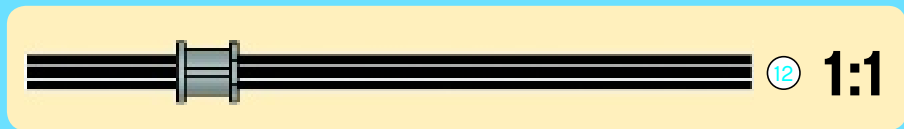
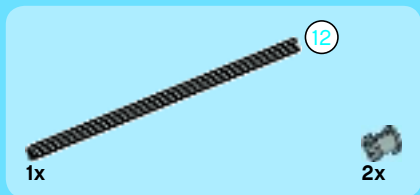
16



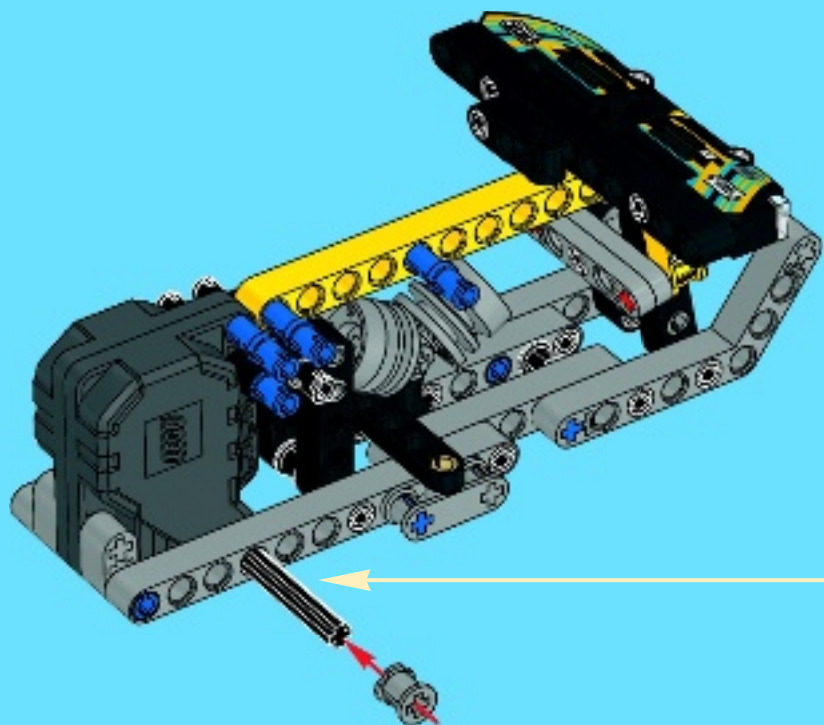


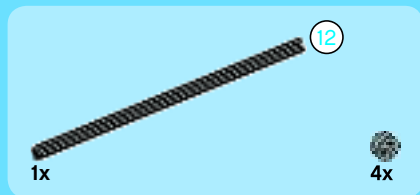
17



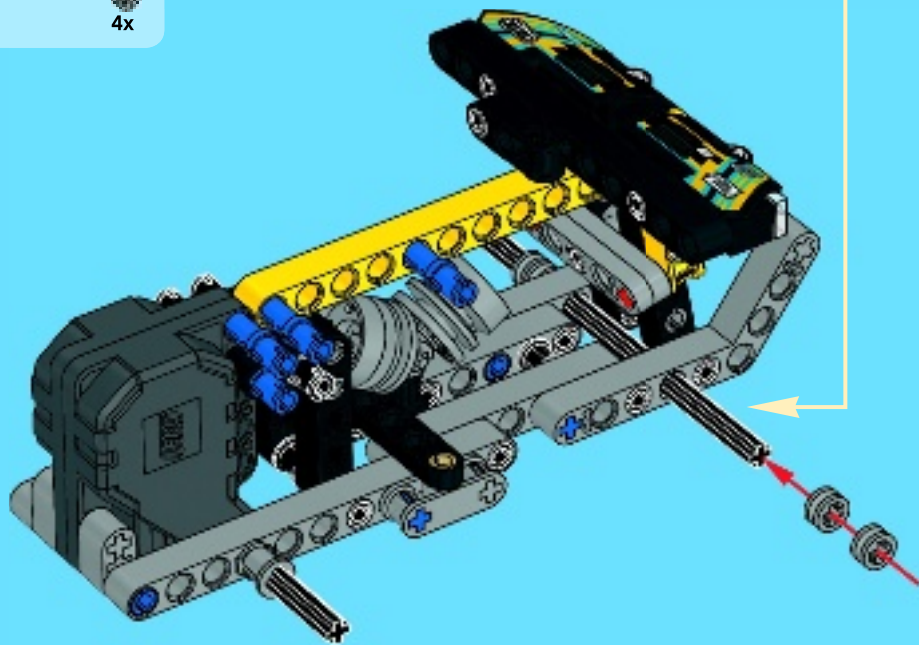


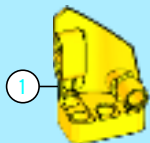
18





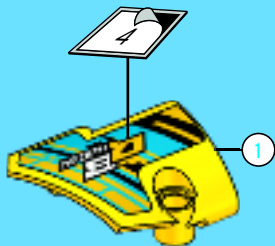
19





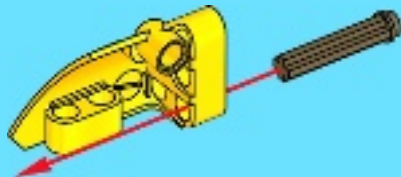
1x

1



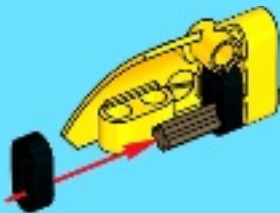
1x

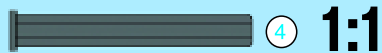
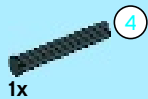
2



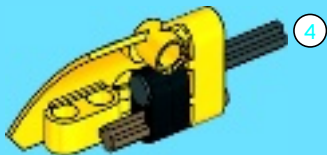
2x

3

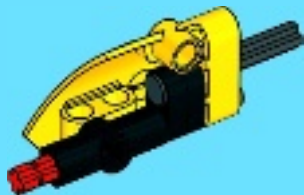




4

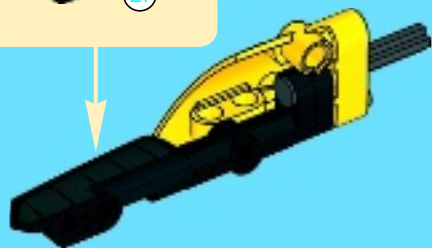
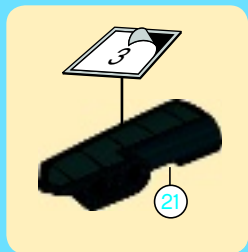


5

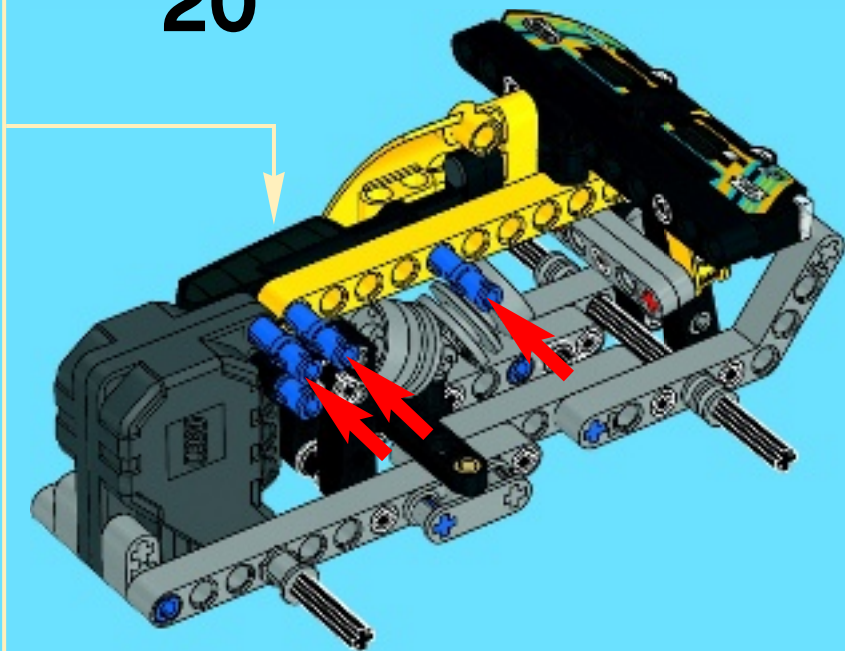




6



20



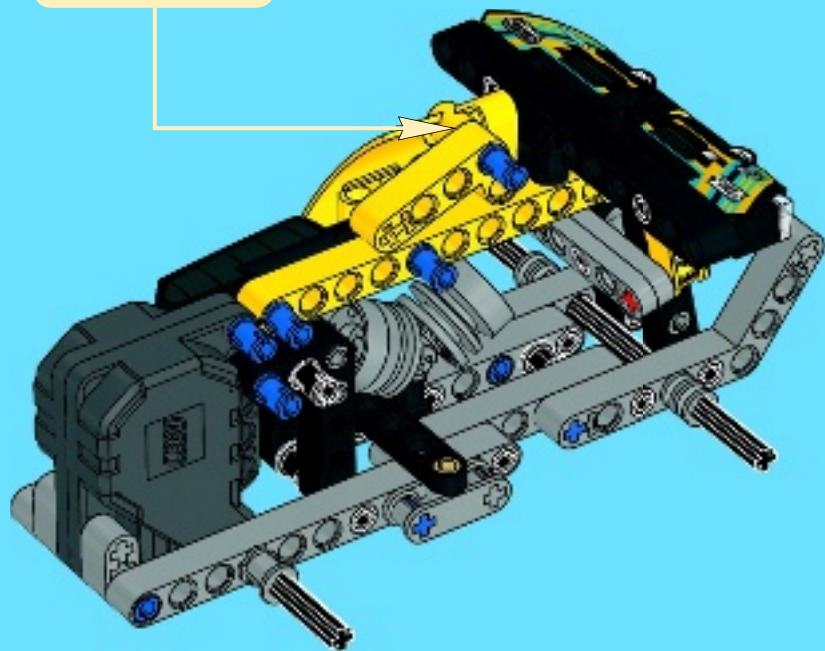


1x



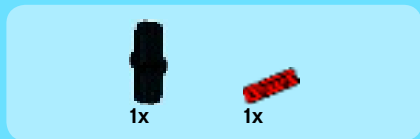
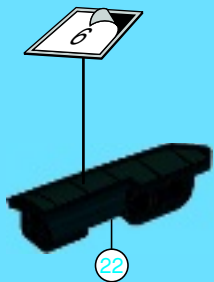
1x

21





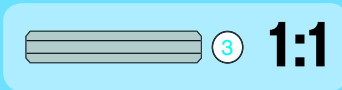
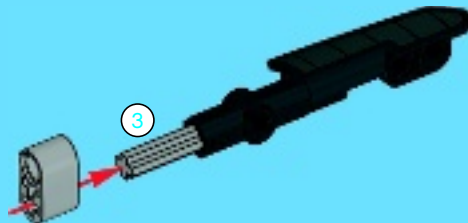
1

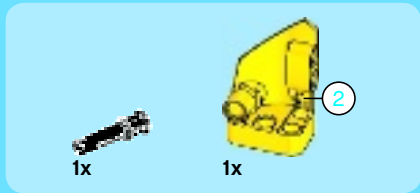


2

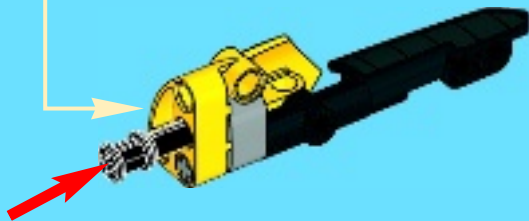
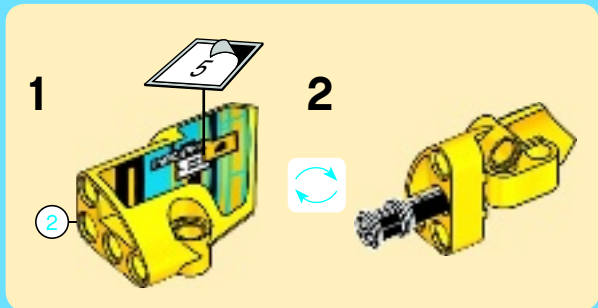


3





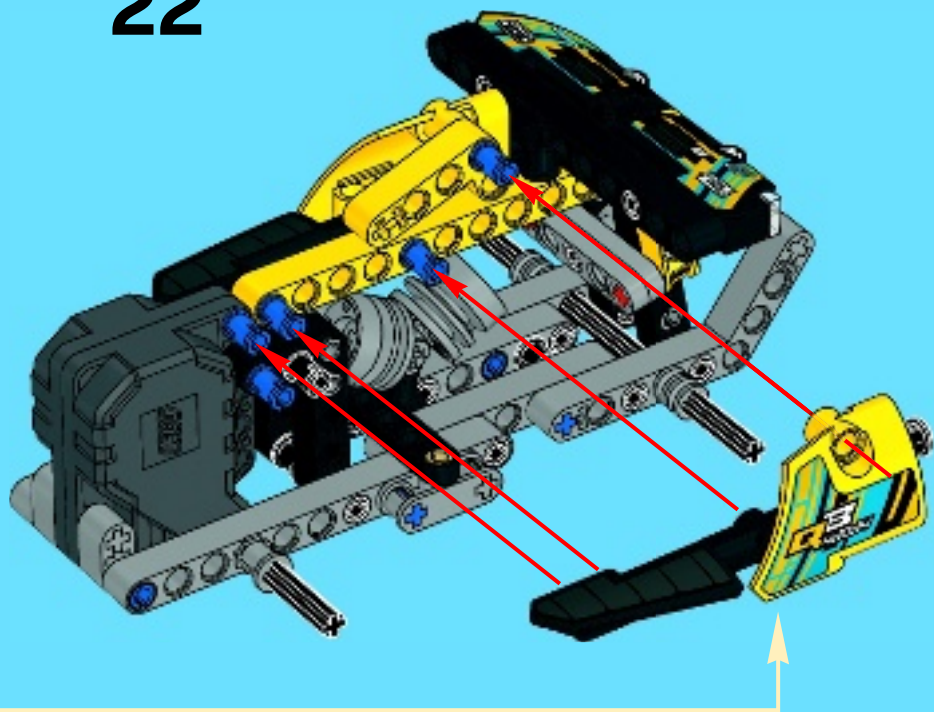
4



5



22

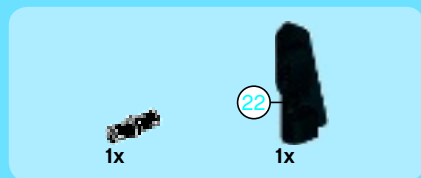




1



2



3





1x

4



5



1x

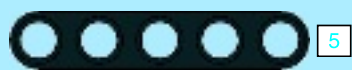


1x

5



40



5

1:1

23

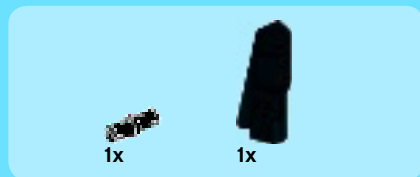




1



2



3





4



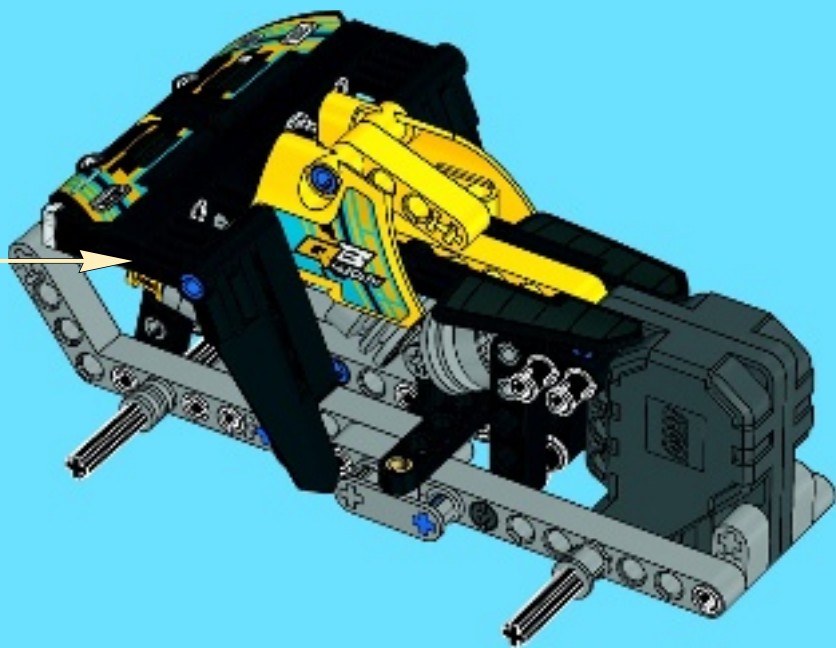
1:1

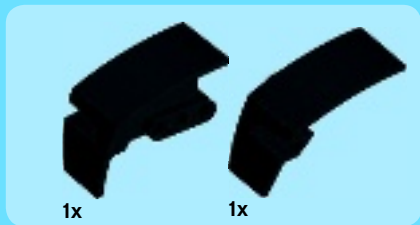


5

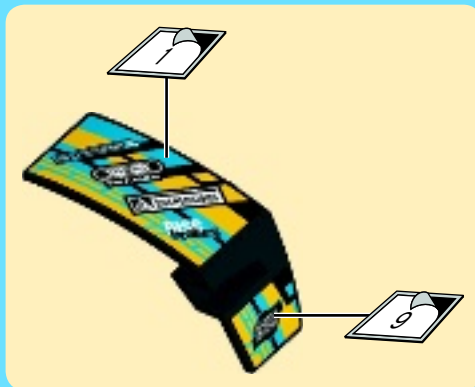
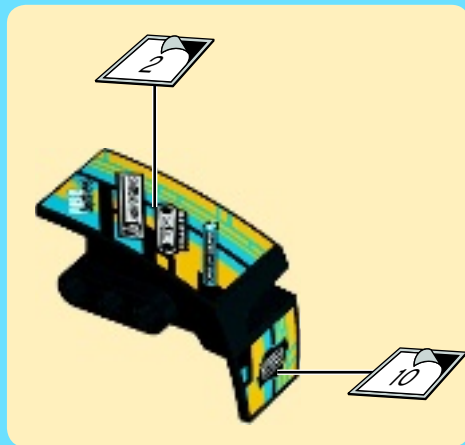


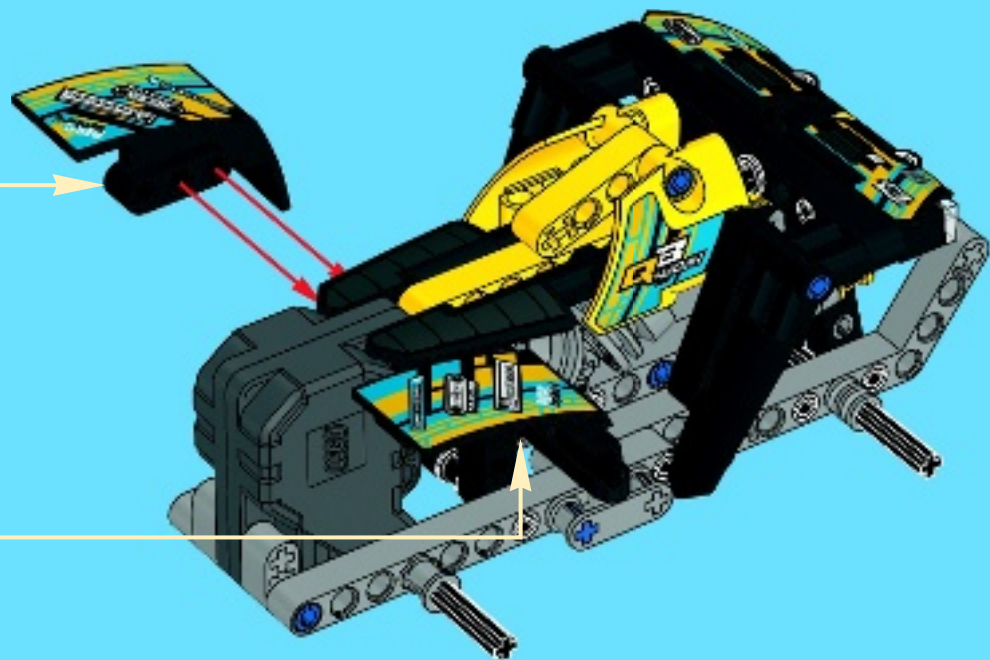
24





25





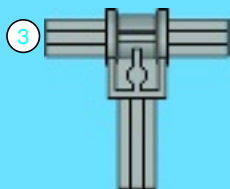


1x



1x

1



2x

2



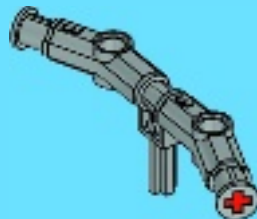
2x

3

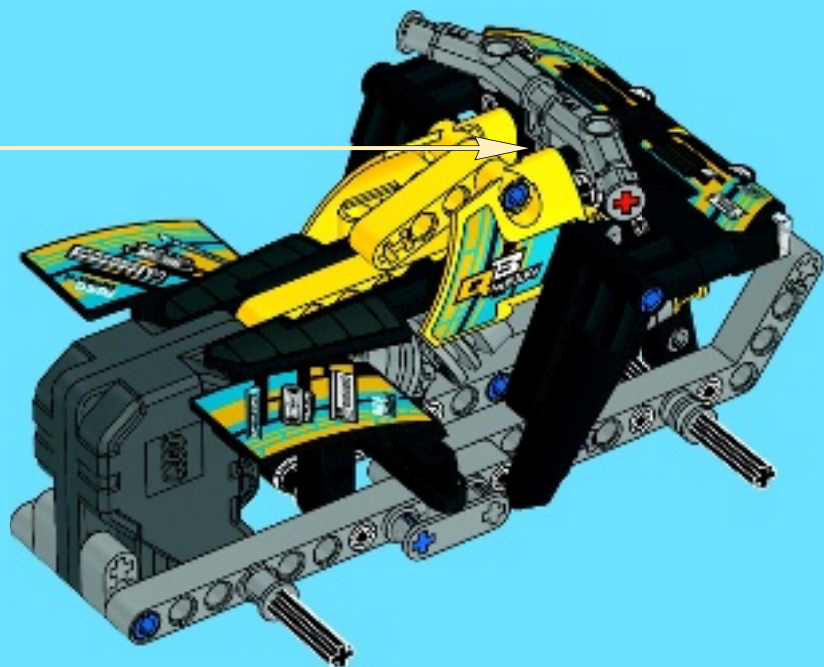


2x

4



26



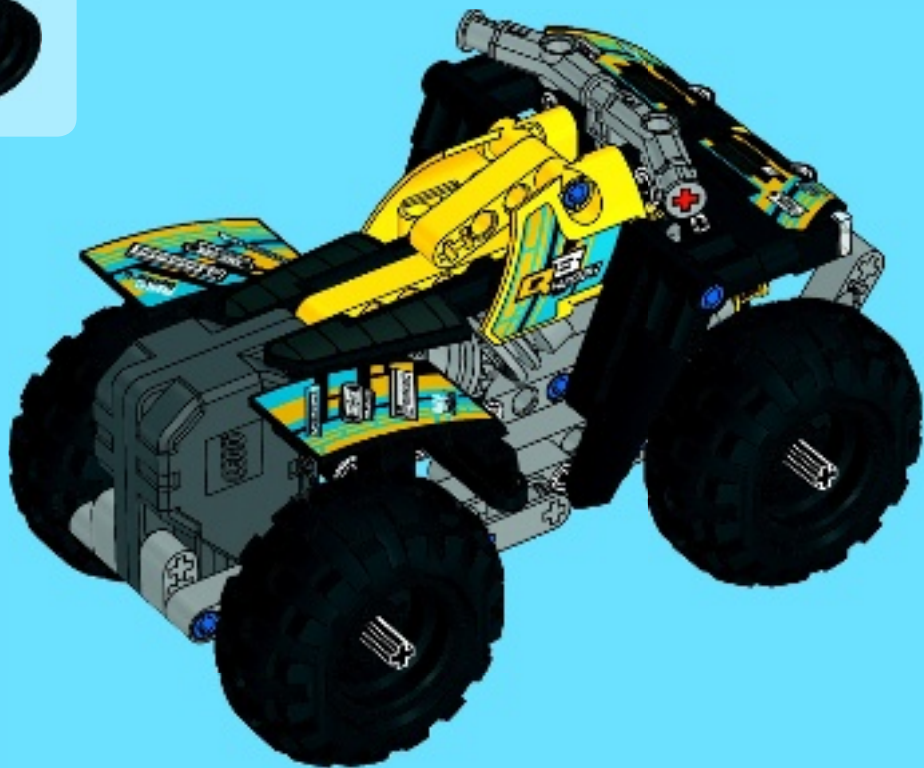


4x



4x

27





2x

28

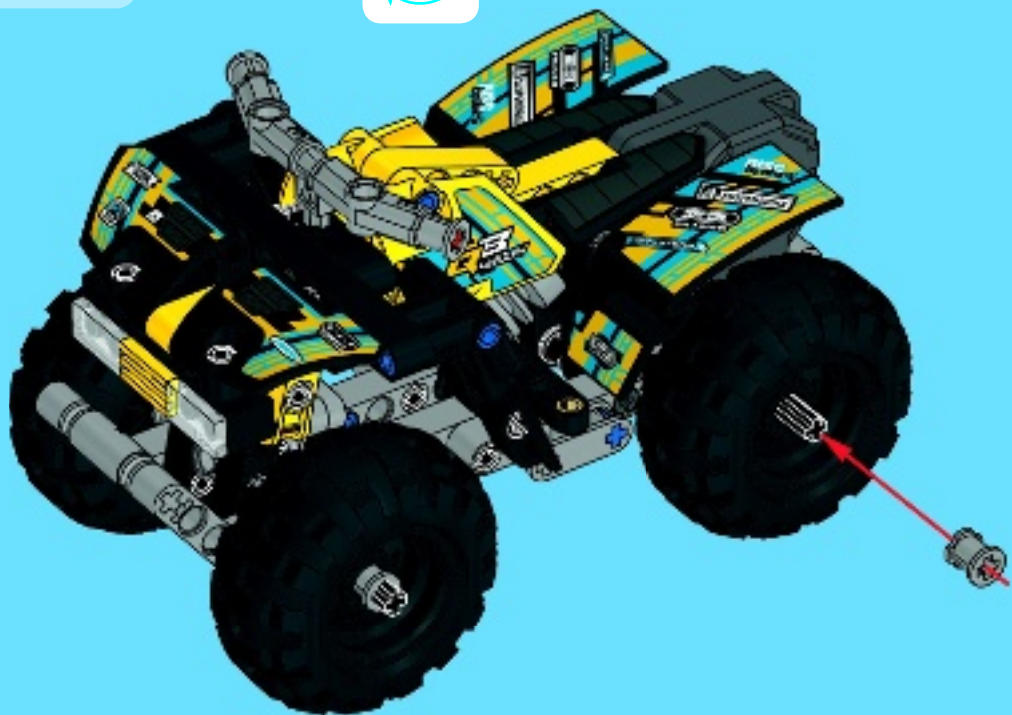


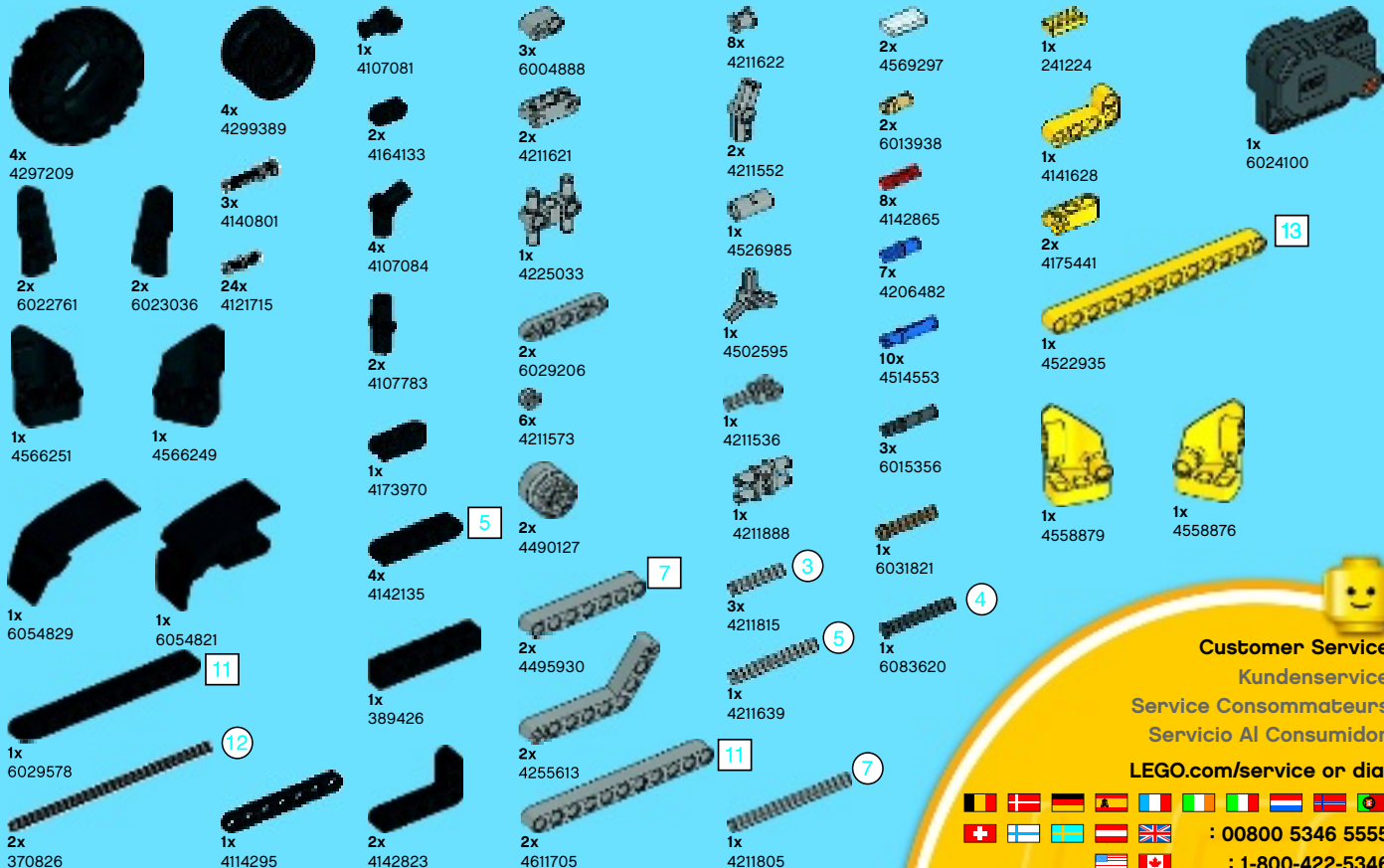


2x



29

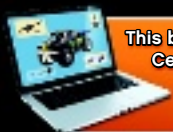




Customer Service
Kundenservice
Service Consommateurs
Servicio Al Consumidor
LEGO.com/service or dial



: 00800 5346 5555
 : 1-800-422-5346



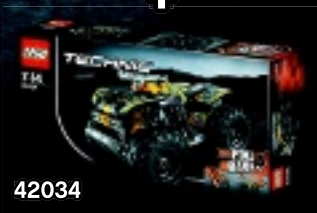
This building instruction only at:
Ces instructions de montage
uniquement sur:
LEGO.com/technic

Sólo encontrarás estas
instrucciones de construcción en:
LEGO.com/technic
此拼砌说明仅见于:
LEGO.com/technic



42033

+



42034



**▶▶▶ PULL
← BACK**

回力



»»» **RÉTRO-
FRICTION**

»»» **ACCIONAMIENTO
MANUAL**





39.37 ft.

12M



LEGO *TECHNIC*



42037



42036



42038



42039

LEGO *TECHNIC*



 LEGO.com/technic

LEGO TECHNIC

42022 Hot Rod

VIEW INFO

LEGO TECHNIC 42022 Hot Rod

LEGO MINDSPRINGS

RELATED

PRODUCT GALLERY

42022	42022	42022	42022
42022	42022	42022	42022
42022	42022	42022	42022
42022	42022	42022	42022

LEGO TECHNIC

42022 Hot Rod

LEGO TECHNIC 42022 Hot Rod

LEGO TECHNIC 42022 Hot Rod

LEGO TECHNIC 42022 Hot Rod

LEGO TECHNIC 42022 Hot Rod

LEGO TECHNIC

42022 Hot Rod

LEGO TECHNIC 42022 Hot Rod

LEGO TECHNIC 42022 Hot Rod

LEGO TECHNIC 42022 Hot Rod

LEGO TECHNIC 42022 Hot Rod

LEGO TECHNIC

42022 Hot Rod

LEGO TECHNIC 42022 Hot Rod

LEGO TECHNIC 42022 Hot Rod

LEGO TECHNIC 42022 Hot Rod

LEGO TECHNIC 42022 Hot Rod