



**TECHNIC**

**42147**



**1**



### **Get excited about our new packaging!**

We're switching from plastic to paper-based packaging. That's why you might find a mix of paper and plastic in our boxes!

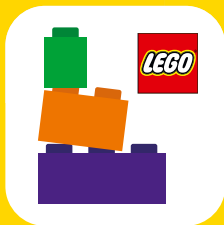
### **Nos nouveaux emballages vous emballeront !**

Nous passons des emballages en plastique aux emballages à base de papier. C'est pourquoi vous pourriez trouver un mélange de papier et de plastique dans nos boîtes !

### **¡Te presentamos nuestros nuevos empaques!**

Estamos sustituyendo las bolsas de plástico por bolsas con base de papel. ¡Por eso, puedes encontrar una mezcla de papel y de plástico en nuestras cajas!

**[LEGO.com/sustainable-packaging](https://www.lego.com/sustainable-packaging)**



# BUILDER

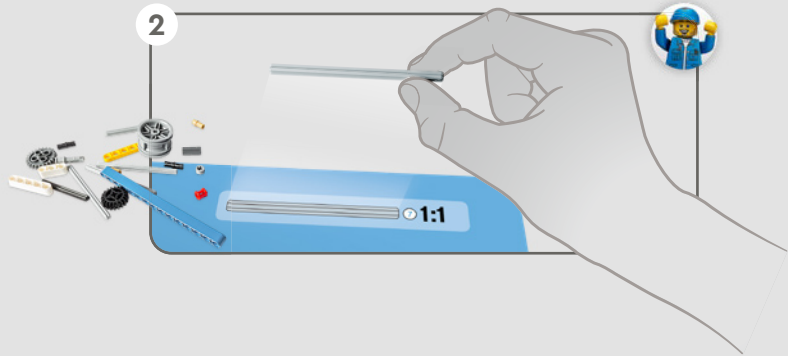
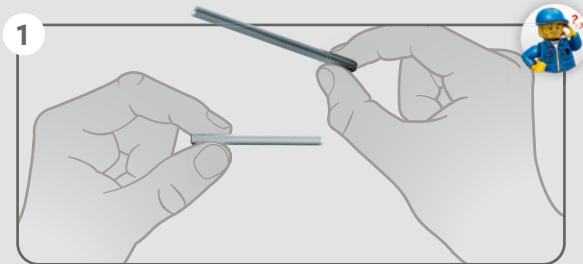


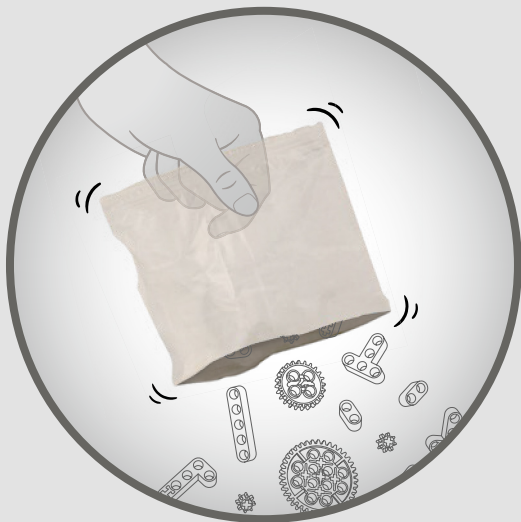
Apple and the Apple logo are trademarks of Apple Inc., registered in the U.S. and other countries and regions. App Store is a service mark of Apple Inc. Google Play and the Google Play logo are trademarks of Google LLC. Tencent and the Tencent logo are trademarks of Tencent Inc.

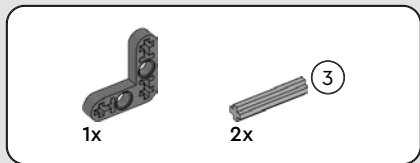
 [LEGO.com/devicecheck](https://LEGO.com/devicecheck)

**EN** Ask parents' permission before going online | **DE** Eltern um Erlaubnis bitten, bevor du online gehst | **FR** Demande l'autorisation d'un parent avant d'aller en ligne | **IT** Chiedi il permesso ai tuoi genitori prima di andare online | **ES** Pídeles permiso a tus papás antes de conectarte a Internet | **PT** Pede autorização aos pais antes de acederes online | **JA** オンラインになる前に ほご者の方のきよかをもらおう | **ZH** 上网前应先征得父母的同意 | **KO** 온라인 접속 전에 보호자 동의가 필요합니다 | **RU** Спроси разрешения у родителей, прежде чем заходить в интернет | **PL** Poproś rodziców o zgodę, zanim wejdiesz do Internetu | **CS** Než půjdeš na internet, požádej rodiče o svolení | **SK** Skôr než pôjdeš na internet, vypýtaj si povolenie od rodičov | **HU** Kérj szülői engedélyt, mielőtt online csatlakoznál! | **RO** Cere permisiunea părinților înainte de a te conecta online | **BG** Поискайте разрешение от родители, преди да влезете онлайн | **LV** Pirms došanās tiešsaistē palūdz atļauju vecākiem | **ET** Enne Interneti kasutamist küsi vanematelt luba | **LT** Prieš prisijungdami prie interneto, atsiklauskite tėvų

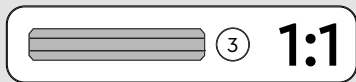
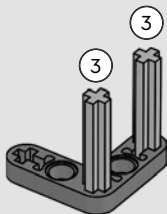






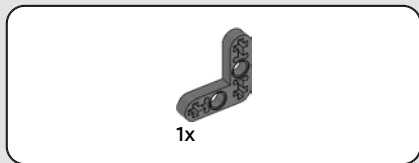


1

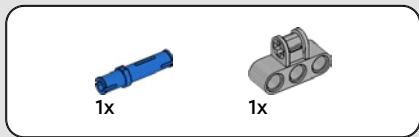
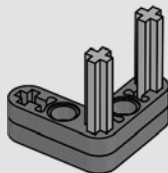


6

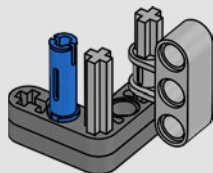


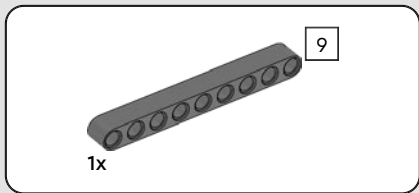


2

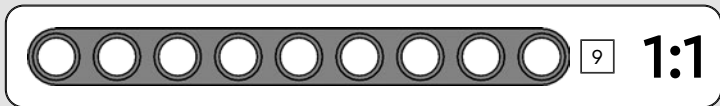
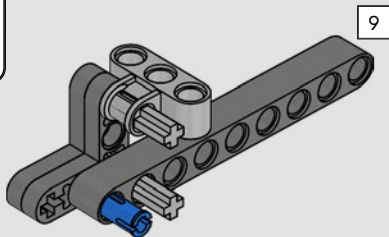


3





4





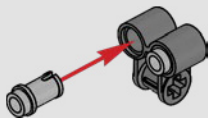


2x



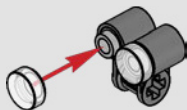
1x

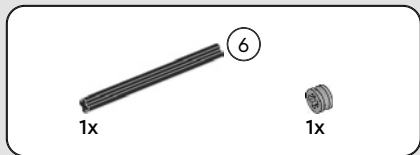
5



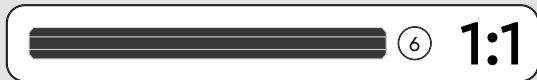
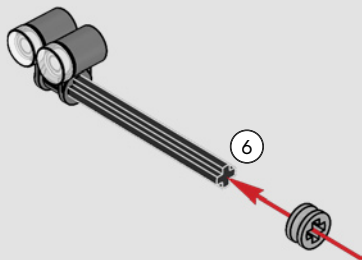
2x

6





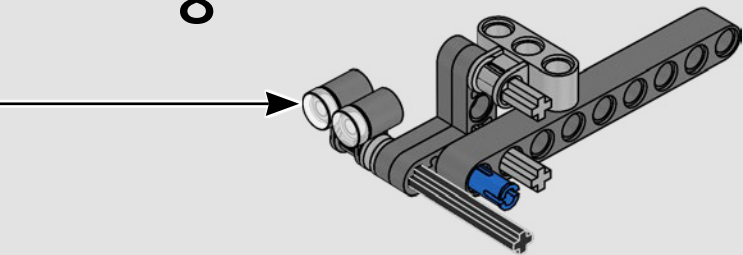
7



10



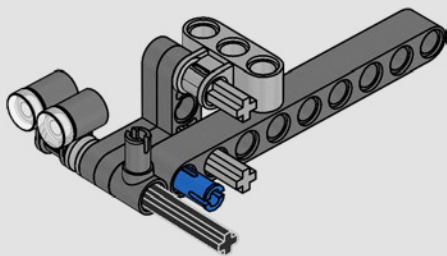
8

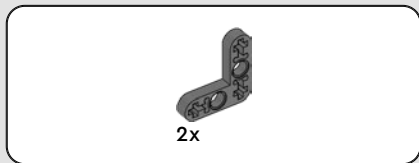




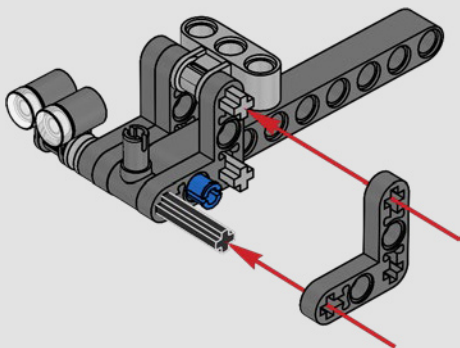
1x

9





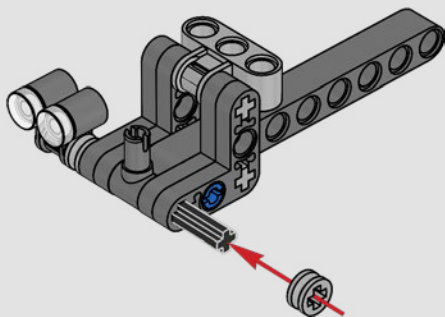
10





1x

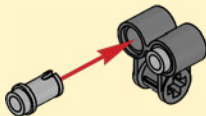
11



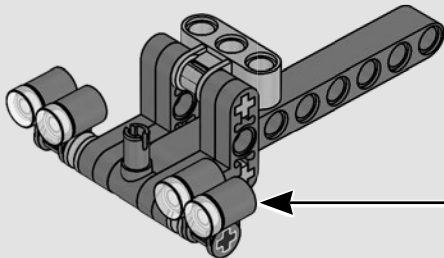
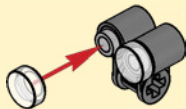


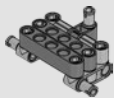
# 12

1

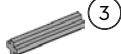


2



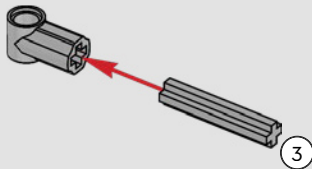


1x



1x

# 13



3

# 1:1

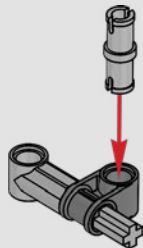


1x



1x

# 14

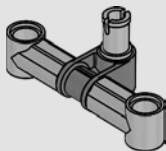






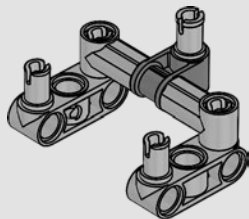
1x

15



2x

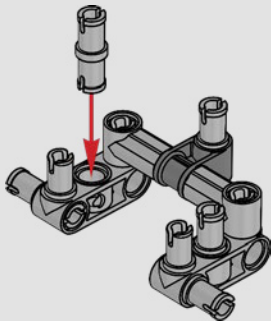
16





4x

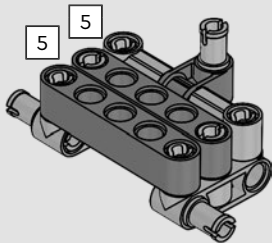
17



5

2x

18

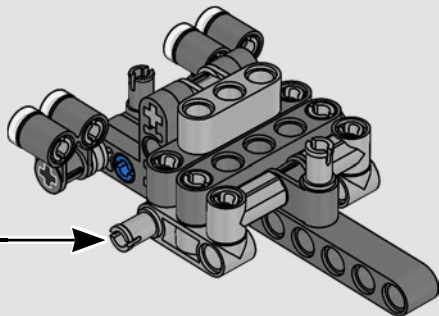


5

1:1



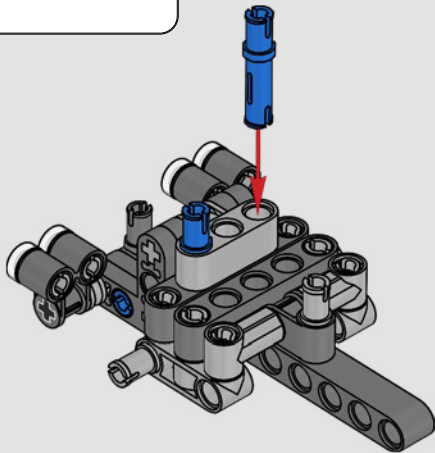
19





2x

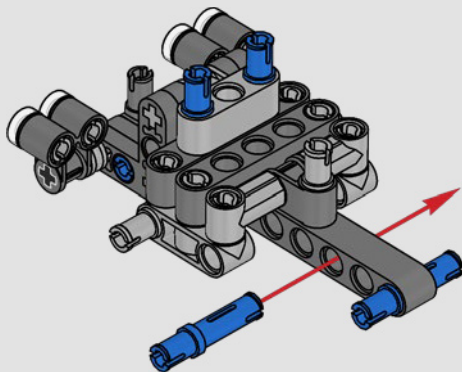
20

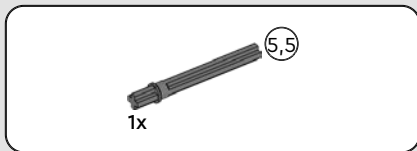




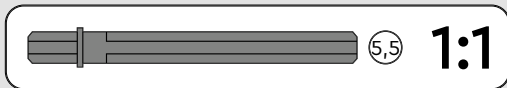
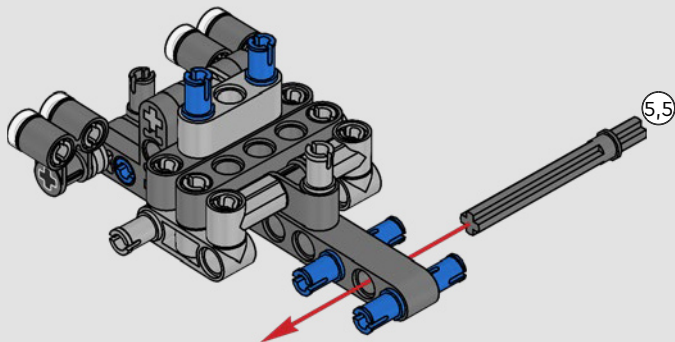
2x

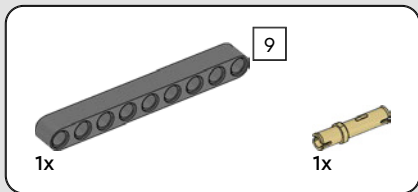
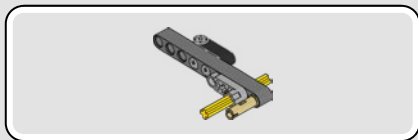
21



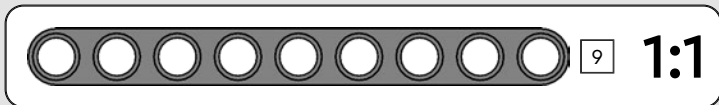
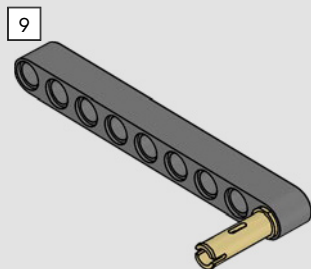


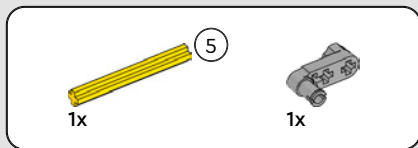
22



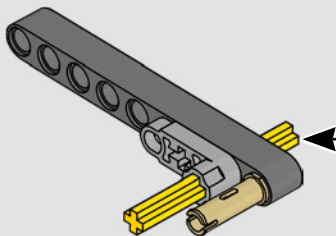
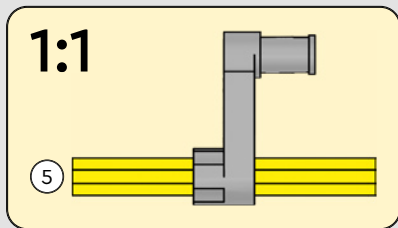


23





24

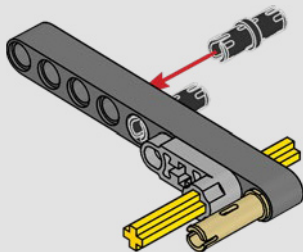






2x

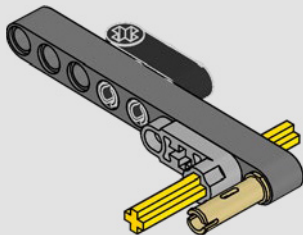
25



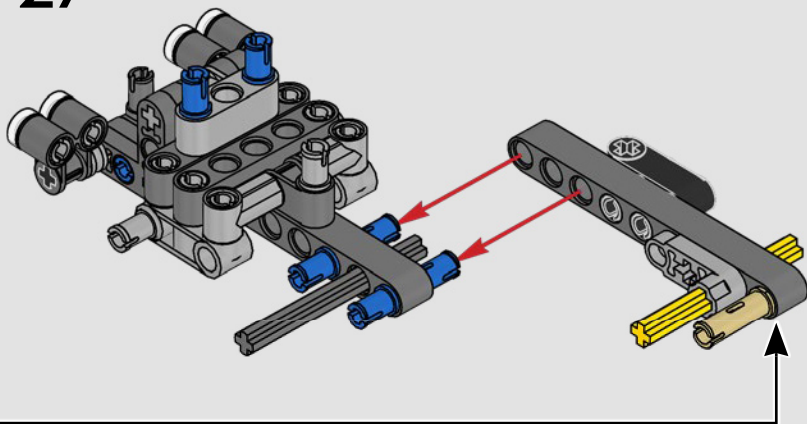


1x

# 26



# 27





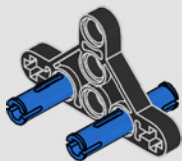
2x



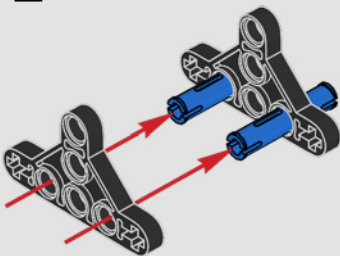
2x

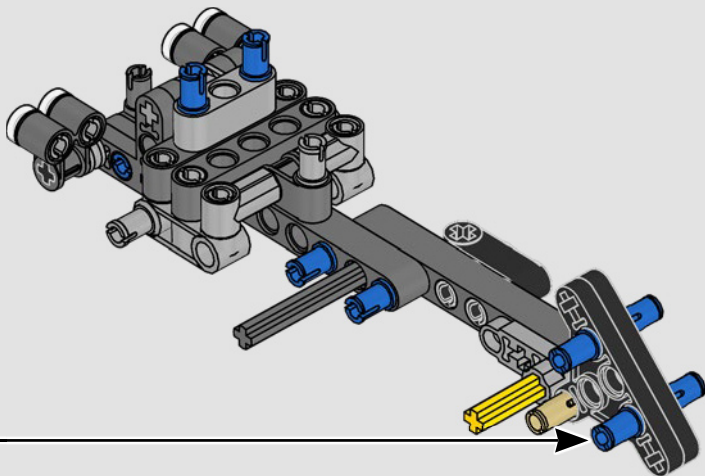
# 28

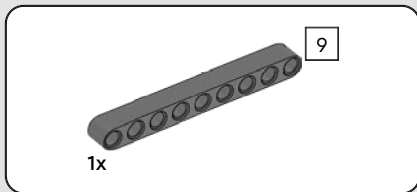
## 1



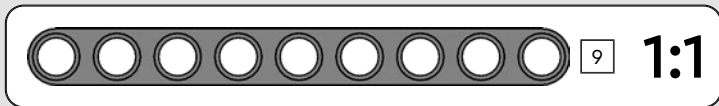
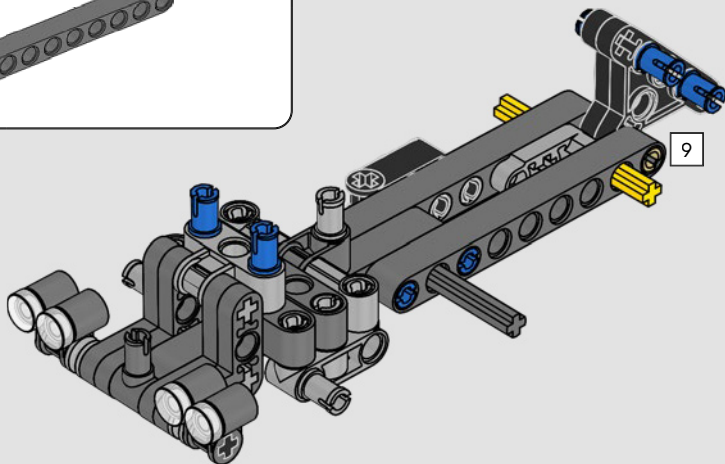
## 2

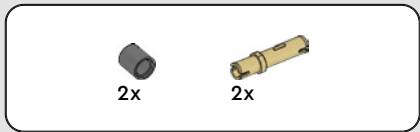




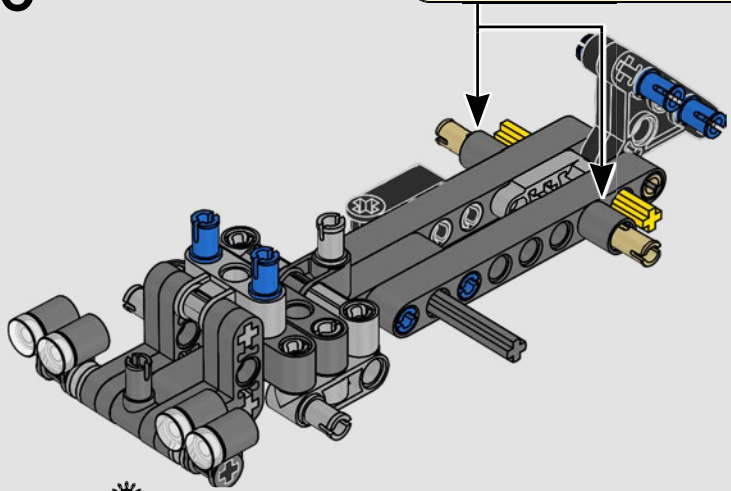
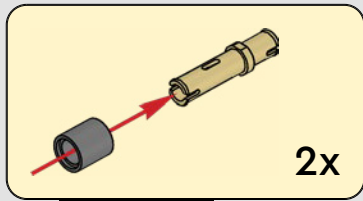


29





30



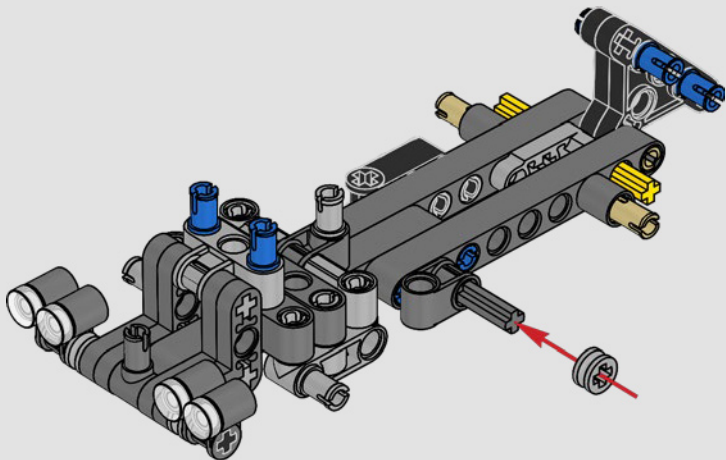


1x

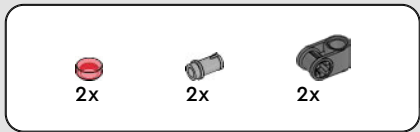


1x

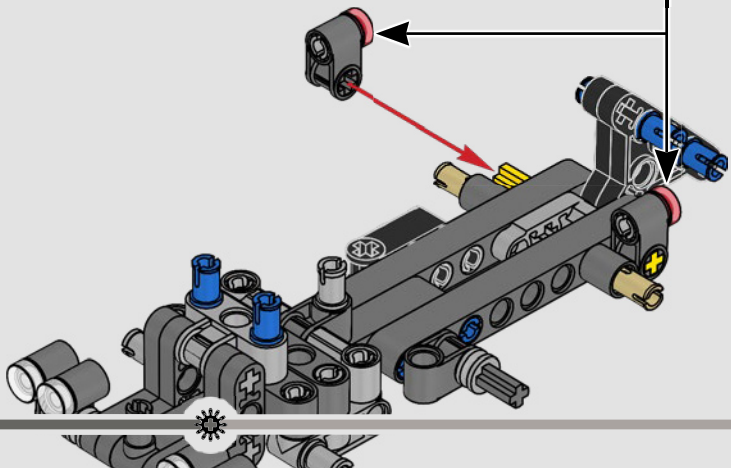
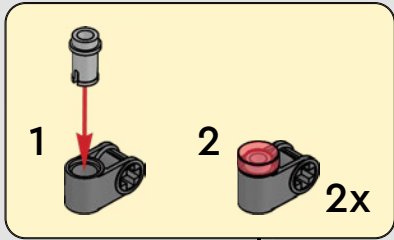
# 31







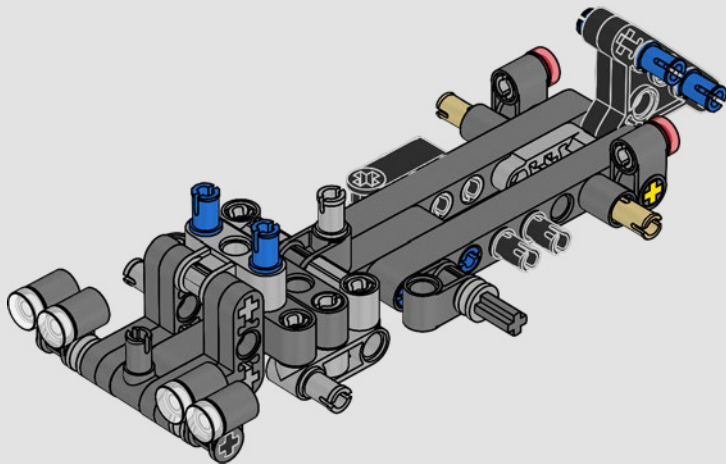
32





2x

33



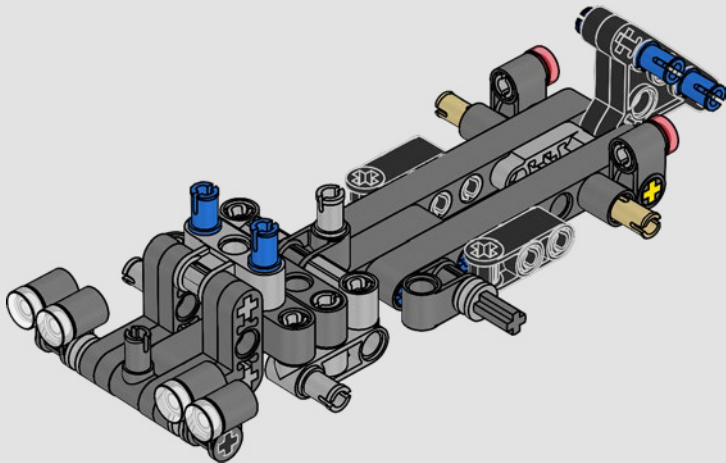
34

---



1x

34



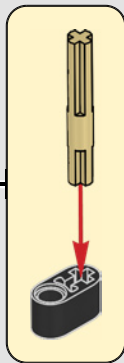
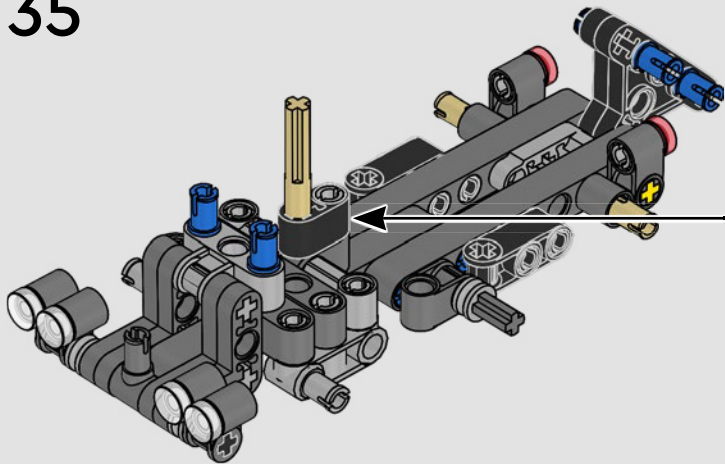


1x



1x

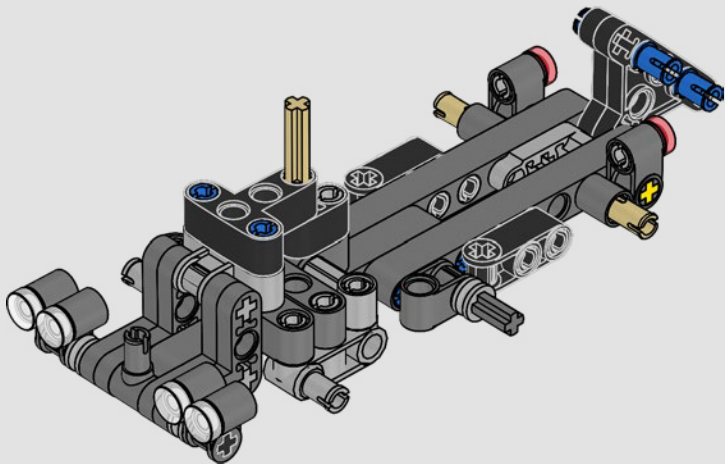
# 35





1x

36



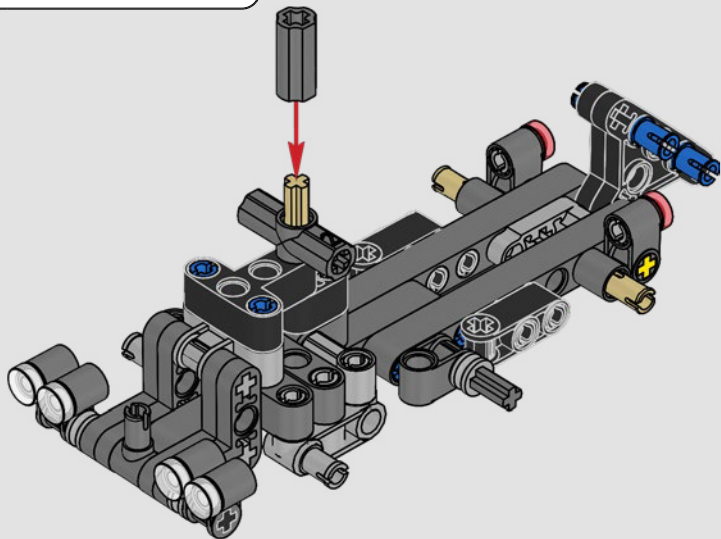


1x



1x

37



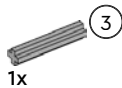
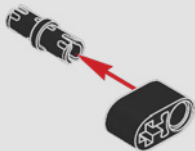


1x



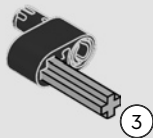
1x

# 38



1x

# 39



# 1:1



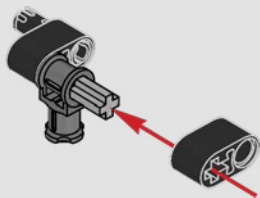


1x



1x

# 40



40

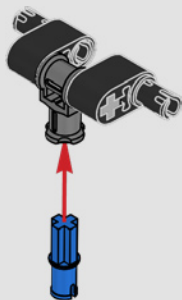


1x



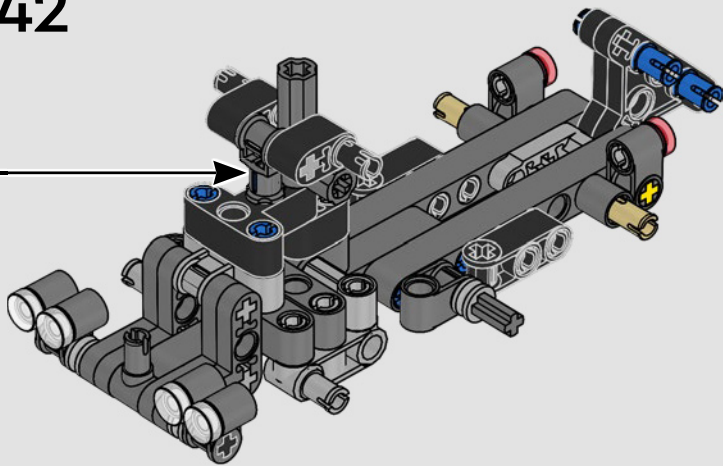
1x

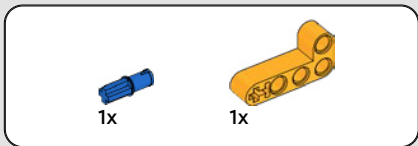
# 41



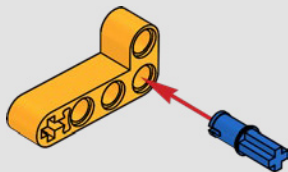


42





43



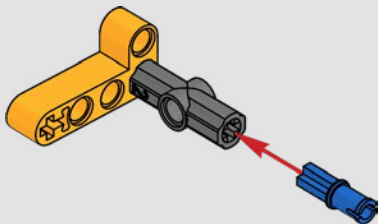


1x



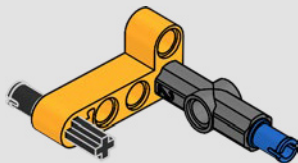
1x

# 44

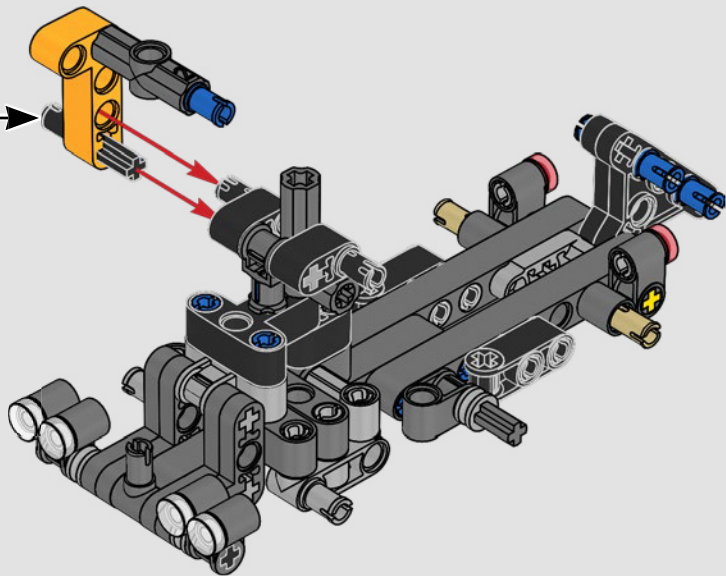


1x

# 45



46





1x



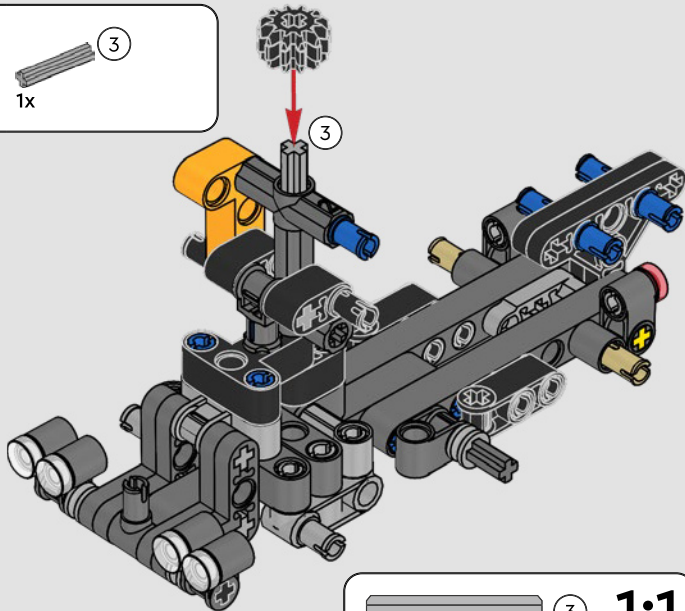
1x

3



3

47



3

1:1





1x



1x



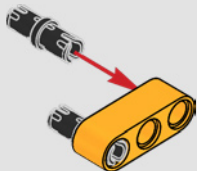
2x



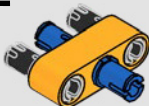
2x

# 48

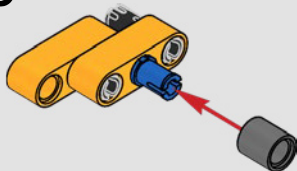
1

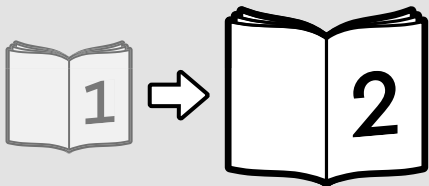
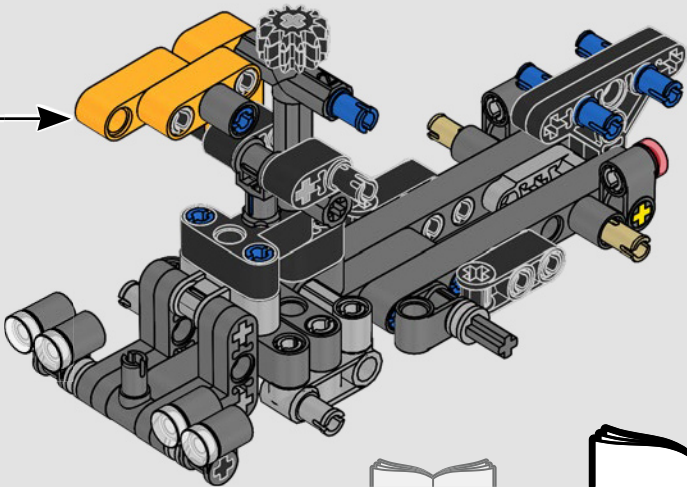


2



3







LEGO and the LEGO logo are trademarks of the/sont  
des marques de commerce du/son marcas registradas  
de LEGO Group. ©2023 The LEGO Group. 6442290

Rebuild  
the  
world™

