



# TECHNIC™

42149





### **Get excited about our new packaging!**

We're switching from plastic to paper-based packaging. That's why you might find a mix of paper and plastic in our boxes!

### **Nos nouveaux emballages vous emballeront !**

Nous passons des emballages en plastique aux emballages à base de papier. C'est pourquoi vous pourriez trouver un mélange de papier et de plastique dans nos boîtes !

### **¡Te presentamos nuestros nuevos empaques!**

Estamos sustituyendo las bolsas de plástico por bolsas con base de papel. ¡Por eso, puedes encontrar una mezcla de papel y de plástico en nuestras cajas!

**[LEGO.com/sustainable-packaging](https://www.lego.com/sustainable-packaging)**



# BUILDER

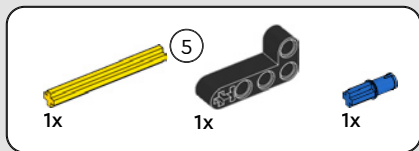


Apple and the Apple logo are trademarks of Apple Inc., registered in the U.S. and other countries and regions. App Store is a service mark of Apple Inc. Google Play and the Google Play logo are trademarks of Google LLC. Tencent and the Tencent logo are trademarks of Tencent Inc.

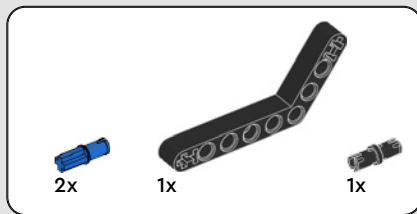
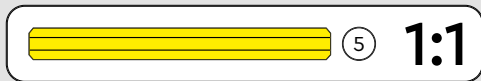
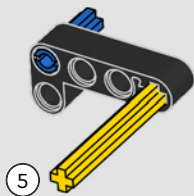
Q [LEGO.com/devicecheck](https://www.lego.com/devicecheck)

**EN** Ask parents' permission before going online | **DE** Eltern um Erlaubnis bitten, bevor du online gehst | **FR** Demande l'autorisation d'un parent avant d'aller en ligne | **IT** Chiedi il permesso ai tuoi genitori prima di andare online | **ES** Pídeles permiso a tus papás antes de conectarte a Internet | **PT** Pede autorização aos pais antes de acederes online | **JA** オンラインになる前に ほかの方のきよかをもらおう | **ZH** 上网前应先征得父母的同意 | **KO** 온라인 접속 전에 보호자 동의가 필요합니다 | **RU** Спроси разрешения у родителей, прежде чем заходить в интернет | **PL** Poproś rodziców o zgodę, zanim wejdiesz do Internetu | **CS** Než půjdeš na internet, požádej rodiče o svolení | **SK** Skôr než pôjdeš na internet, vypýtaj si povolenie od rodičov | **HU** Kérj szülői engedélyt, mielőtt online csatlakoznál! | **RO** Cere permisiunea părinților înainte de a te conecta online | **BG** Поискайте разрешение от родител, преди да влезете онлайн | **LV** Pirms došanās tiešsaistē palūdz atļauju vecākiem | **ET** Enne Interneti kasutamist küsi vanematelt luba | **LT** Prieš prisijungdami prie interneto, atsklauskite tėvų

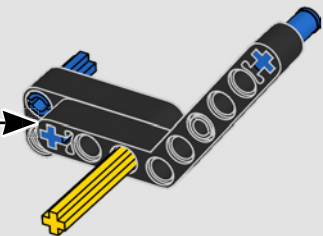
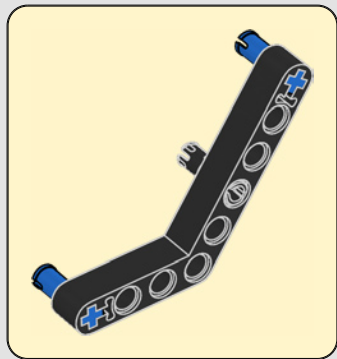




1



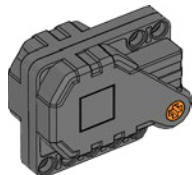
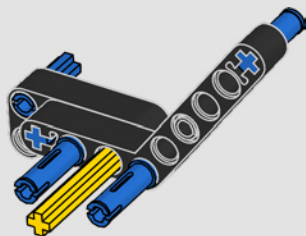
2





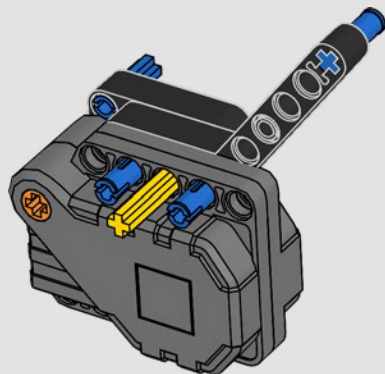
2x

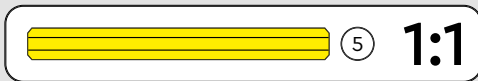
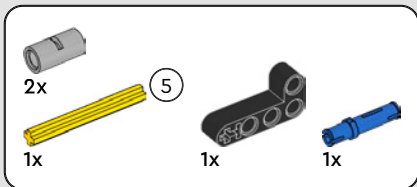
3



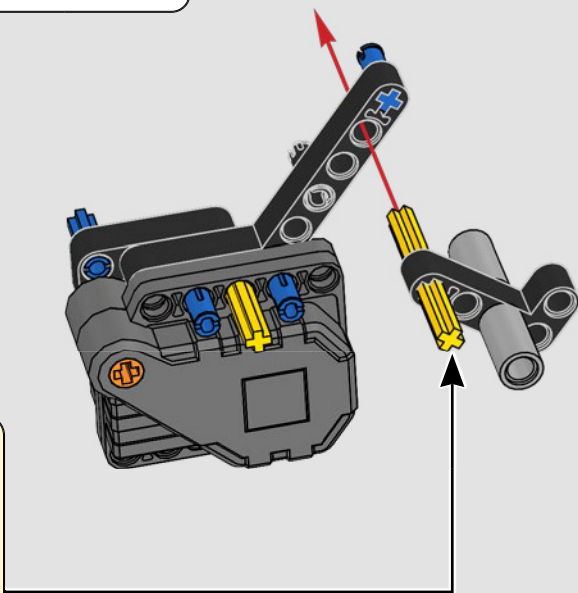
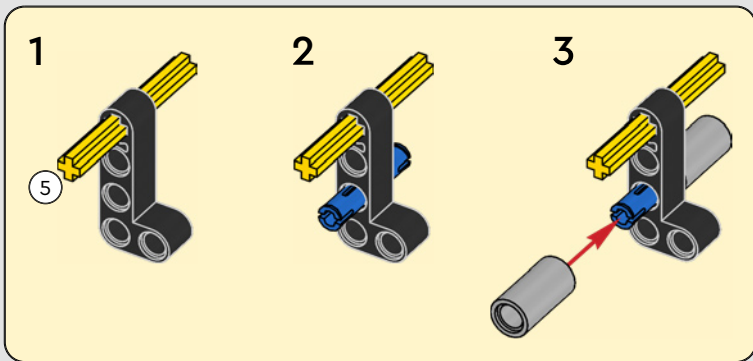
1x

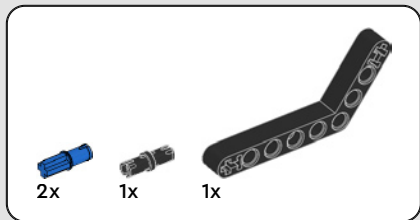
4



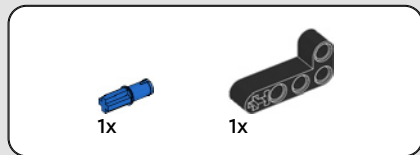
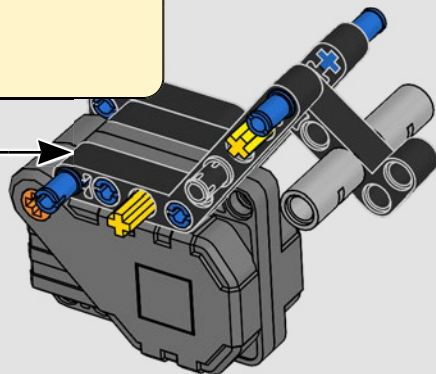
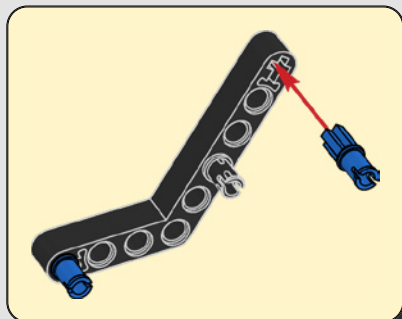


5

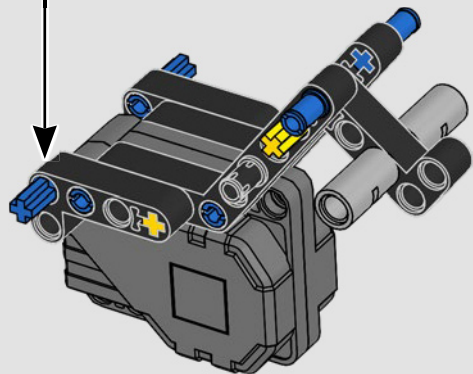




6



7

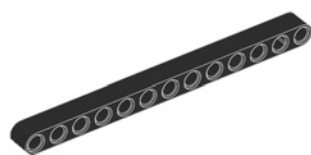
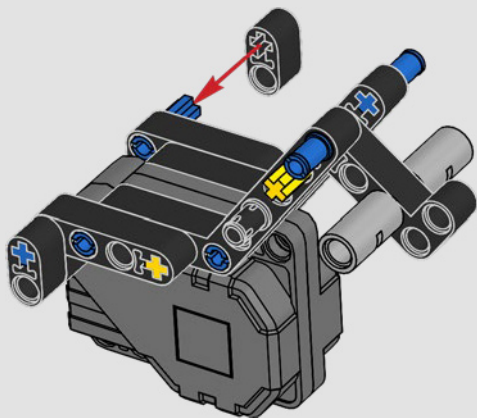






2x

8



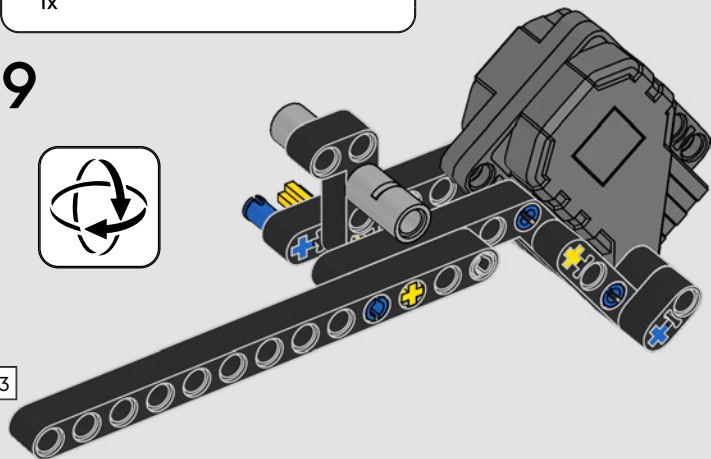
1x

13

9

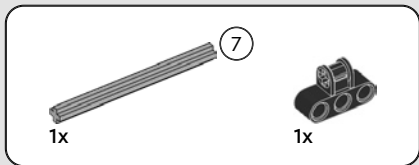
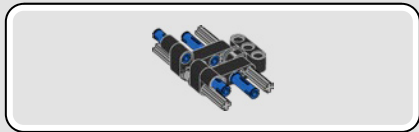


13

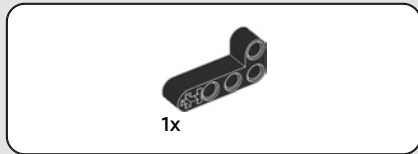
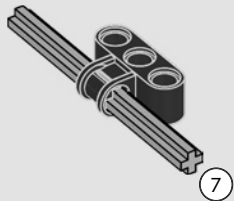


13

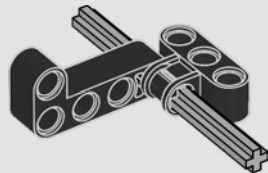
1:1

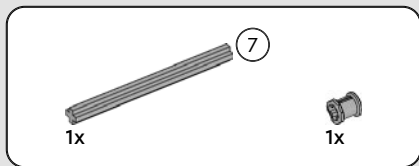


10

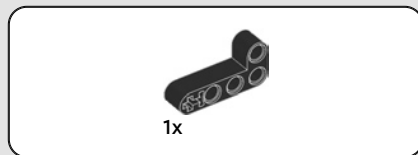
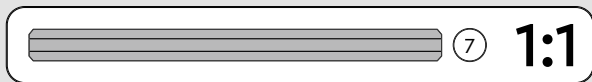
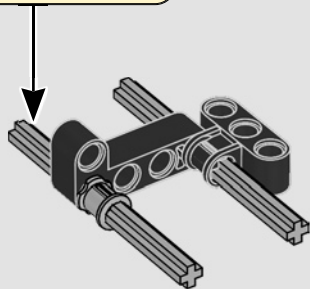
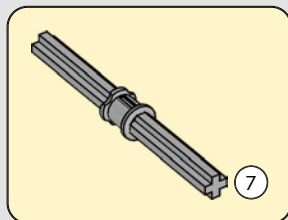


11

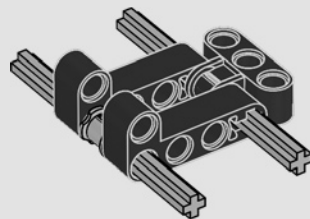




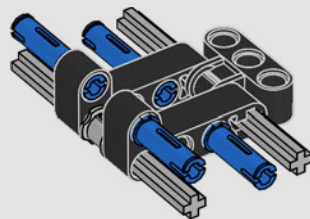
12



13



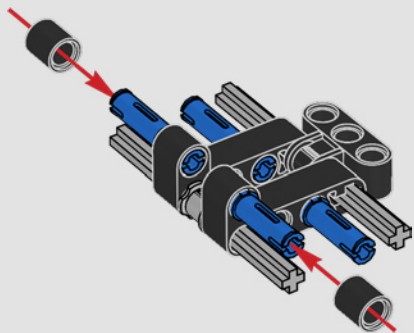
14



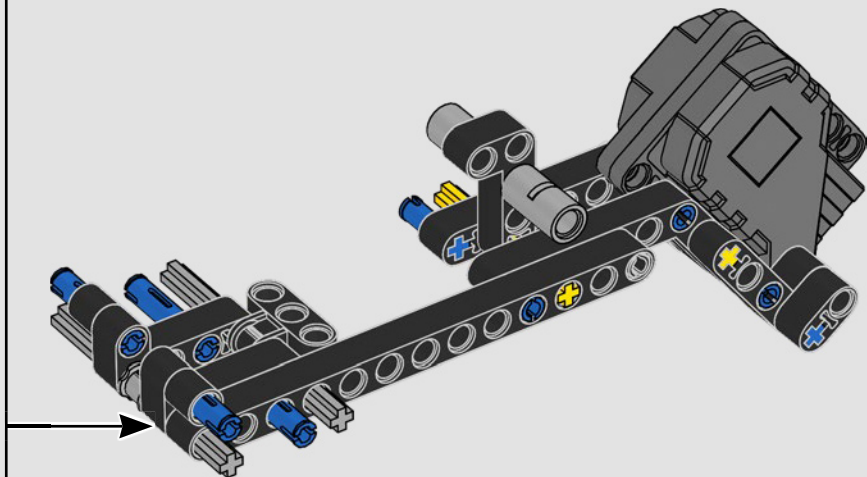


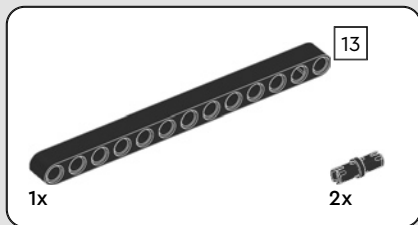
2x

15

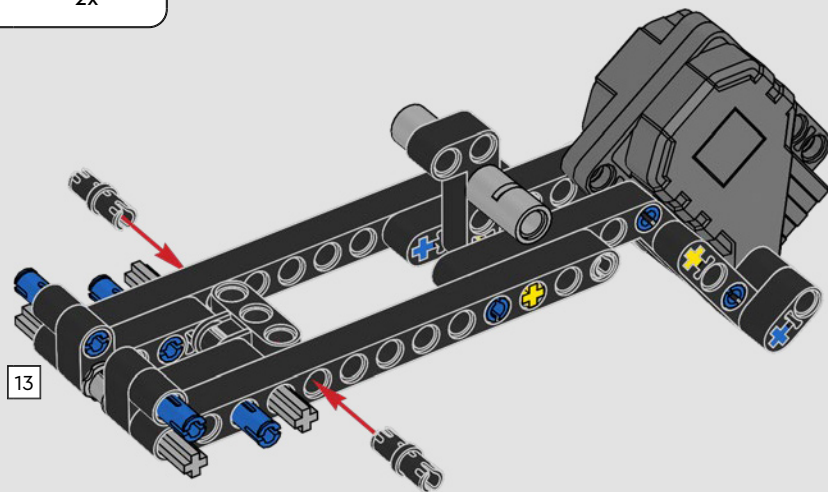


16





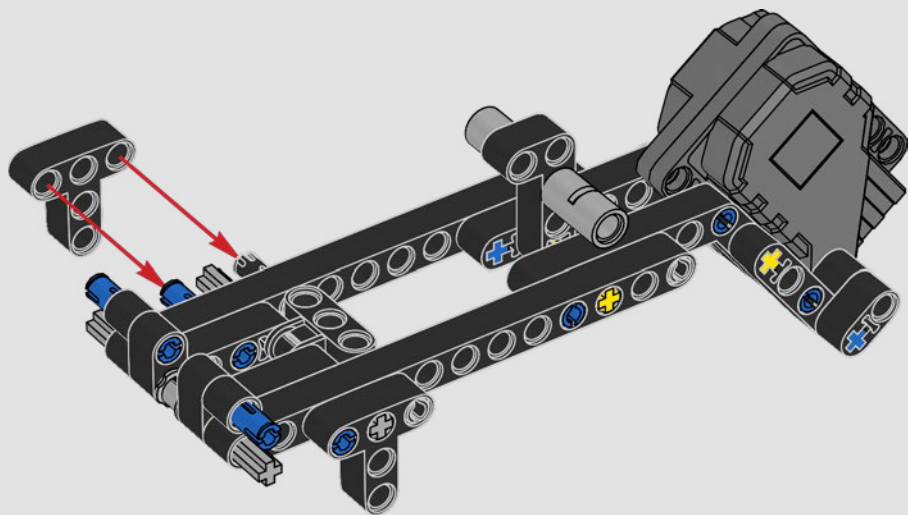
17

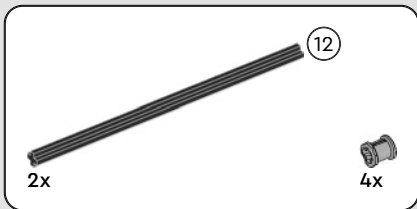




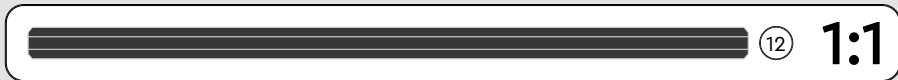
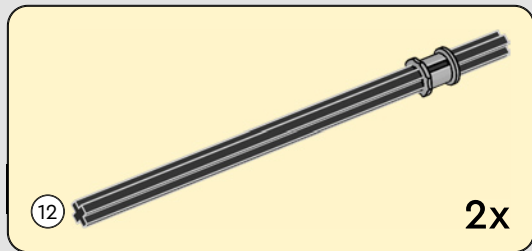
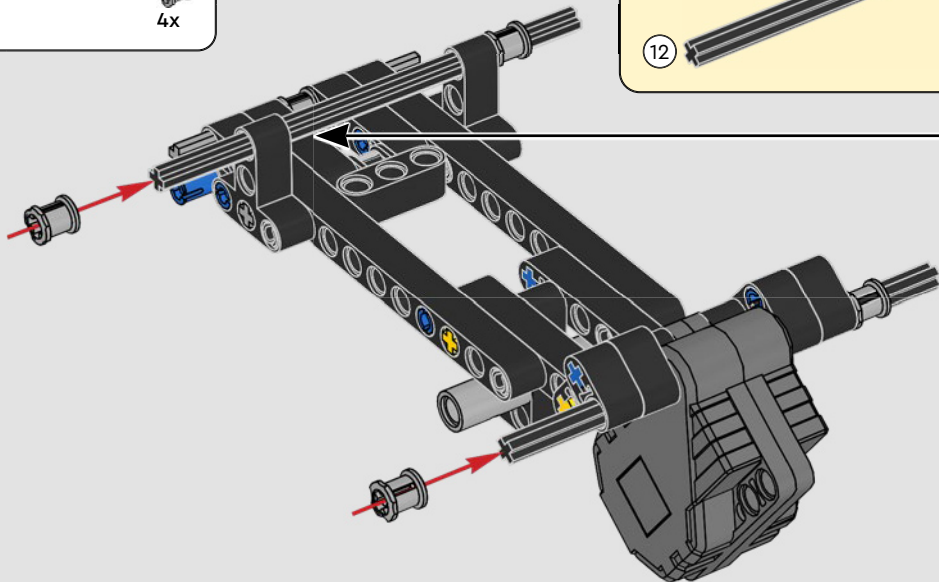
2x

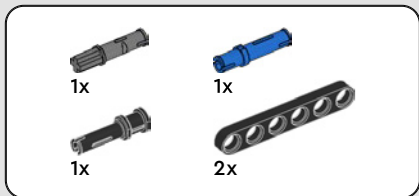
18



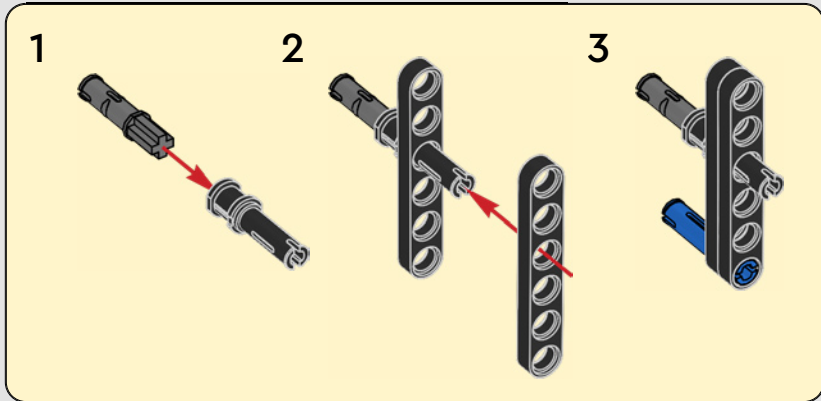
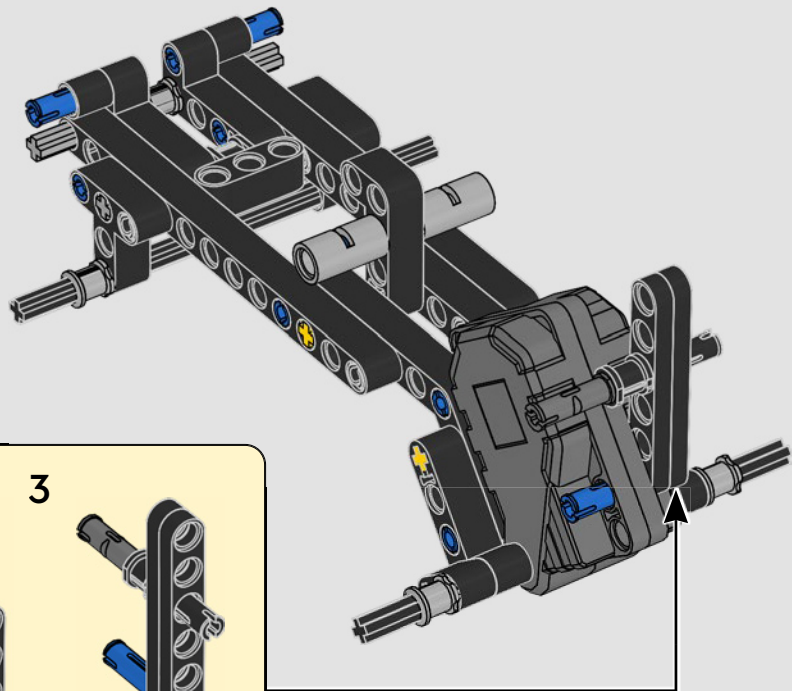


19





20

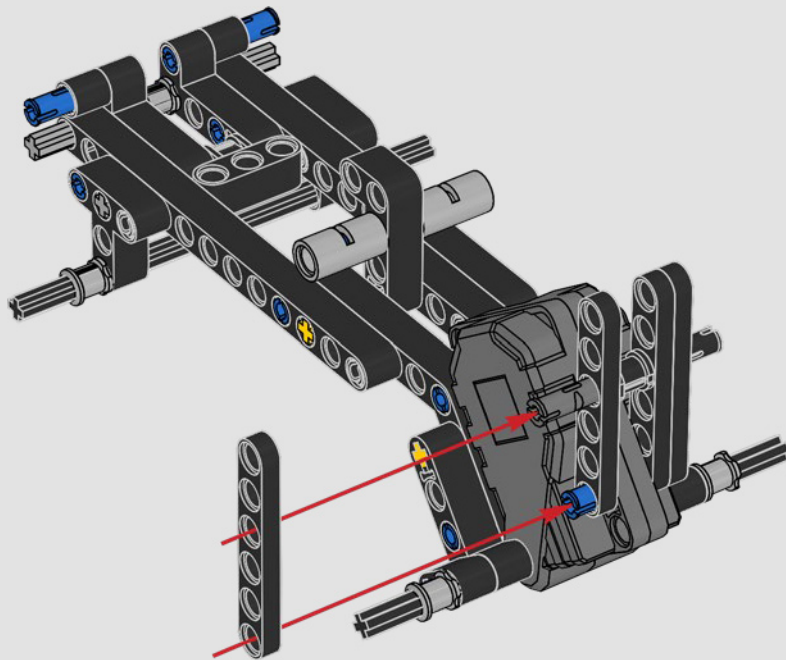






2x

21



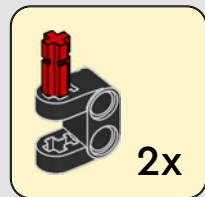


2x

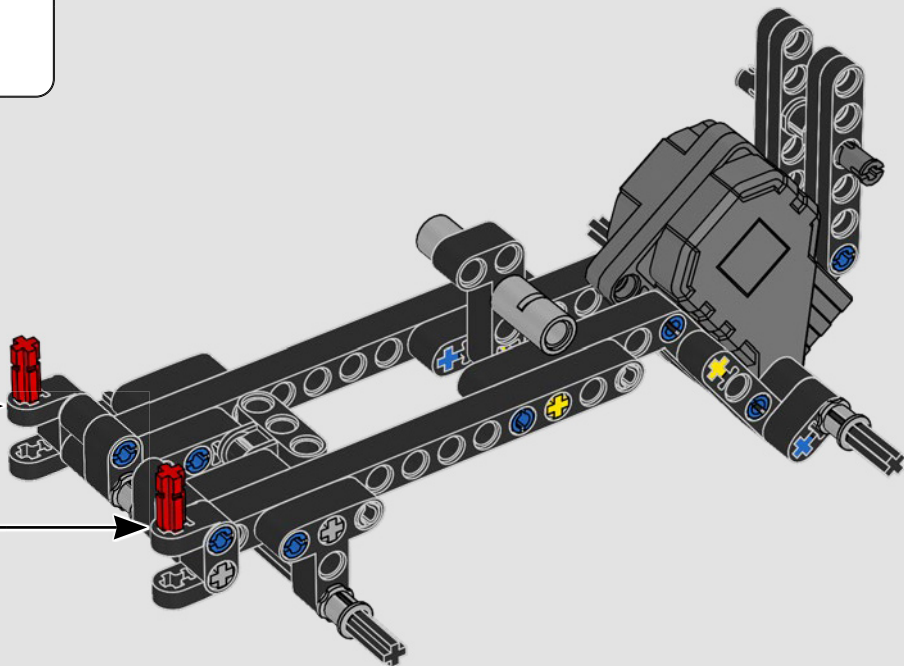


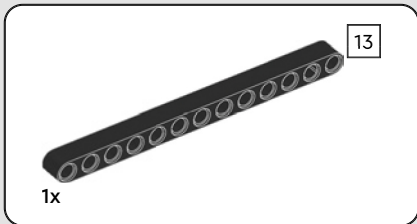
2x

22

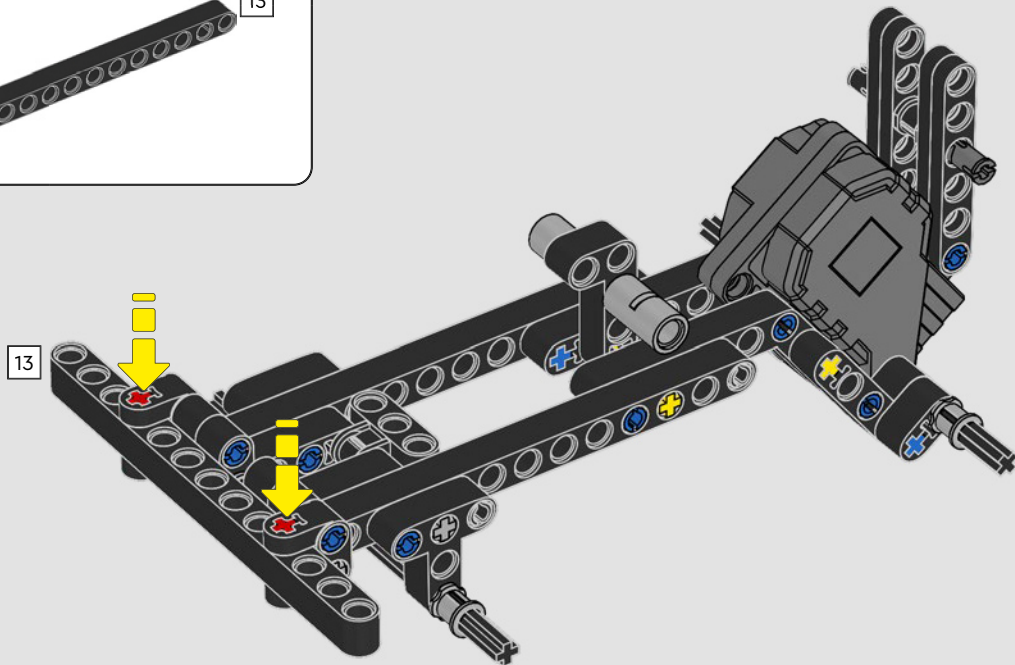


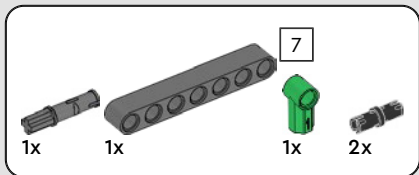
2x



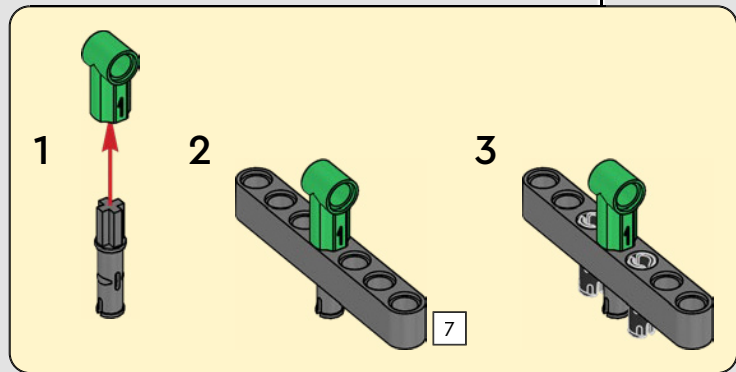
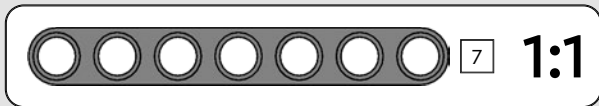
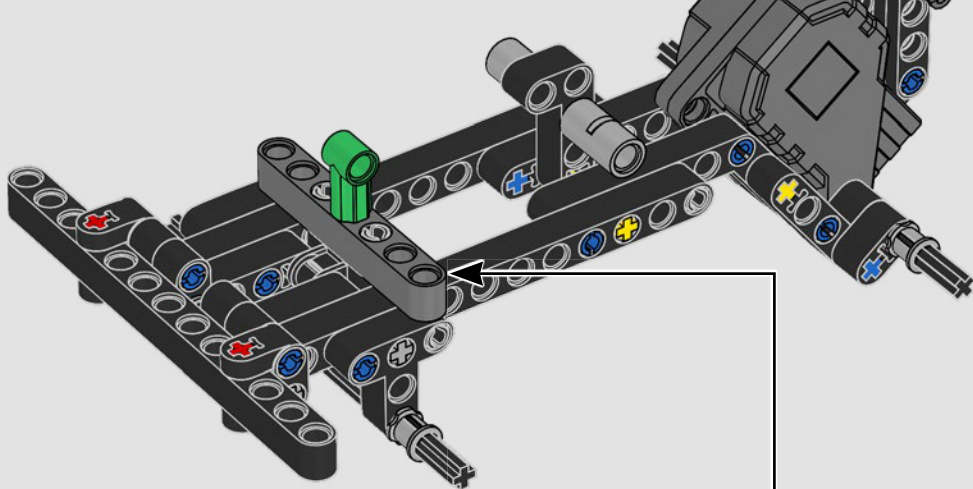


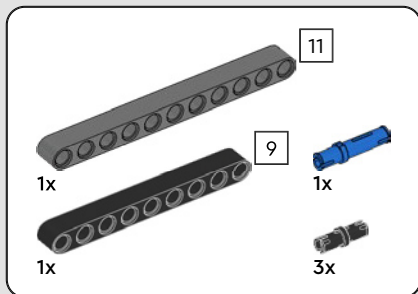
23





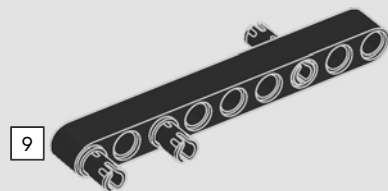
24



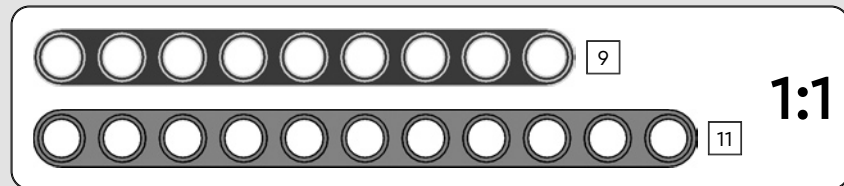
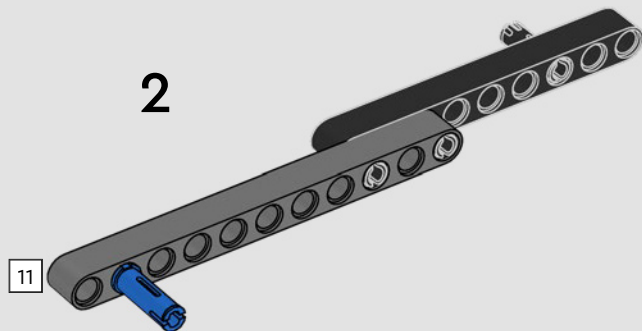


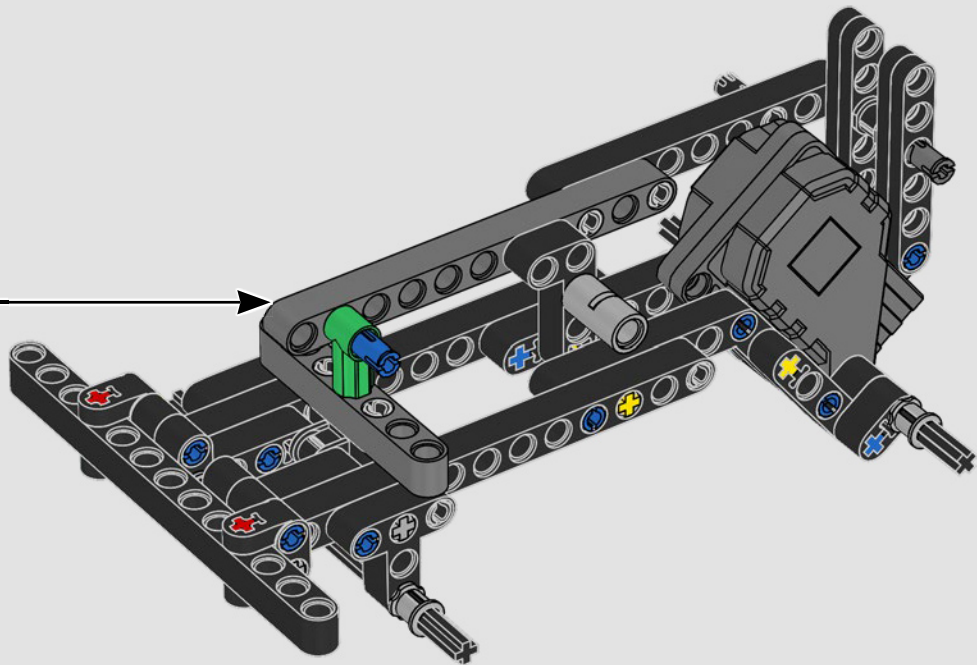
25

1



2

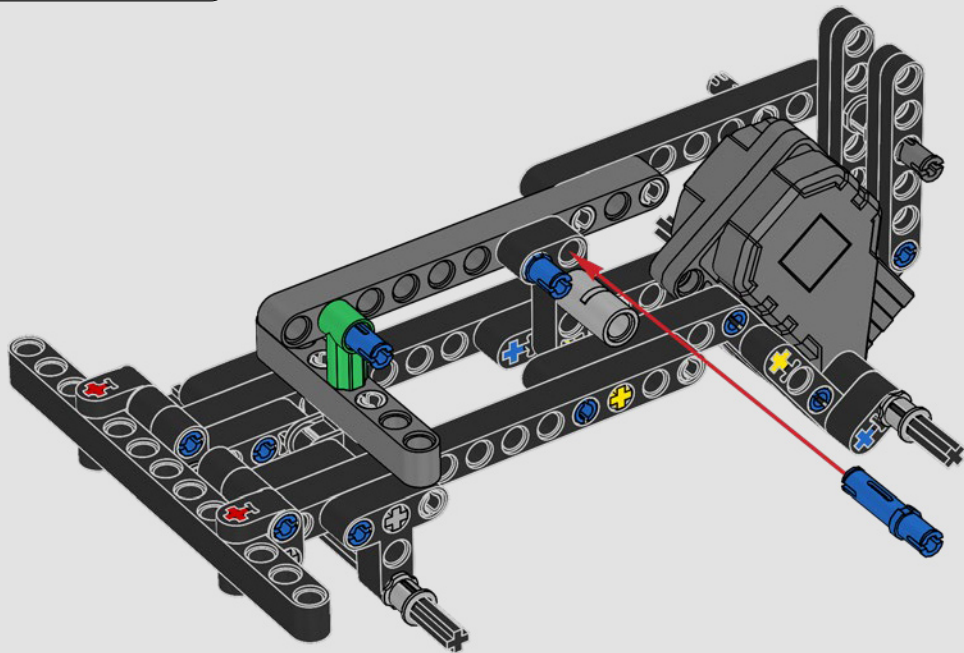


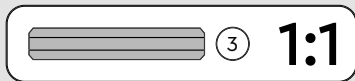
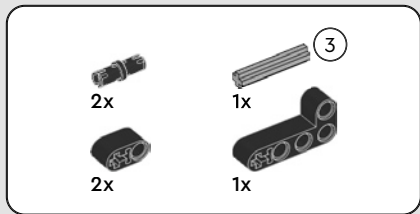




2x

26





27

1



2



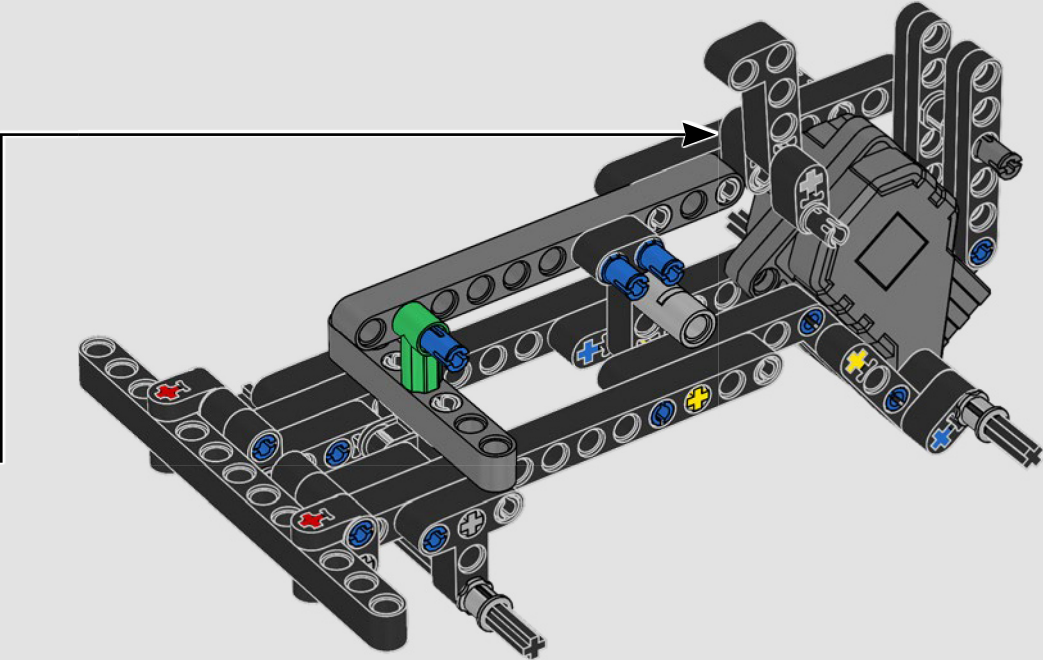
3



4









1x

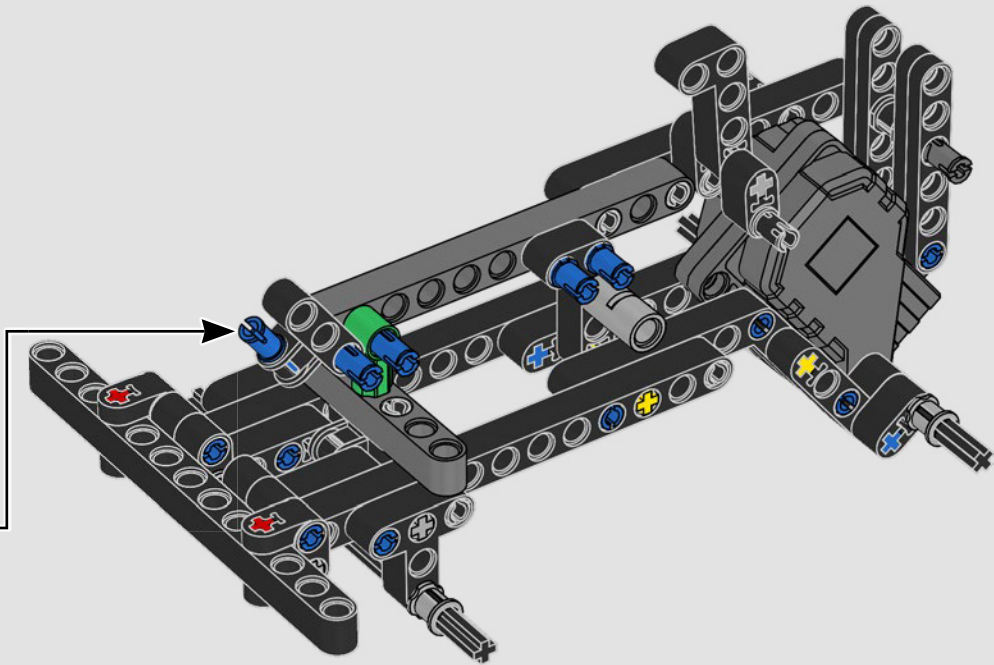
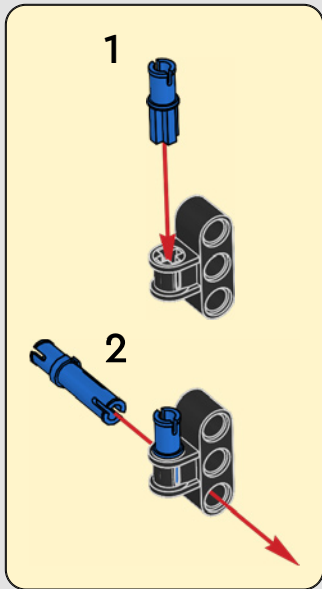


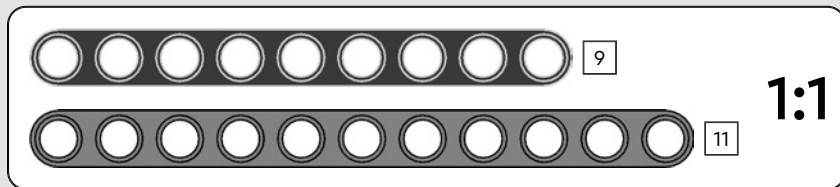
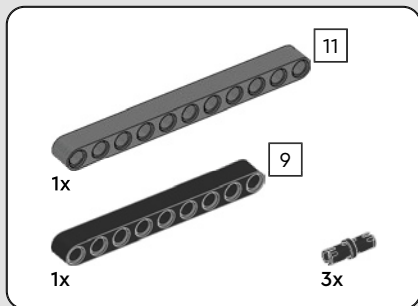
1x



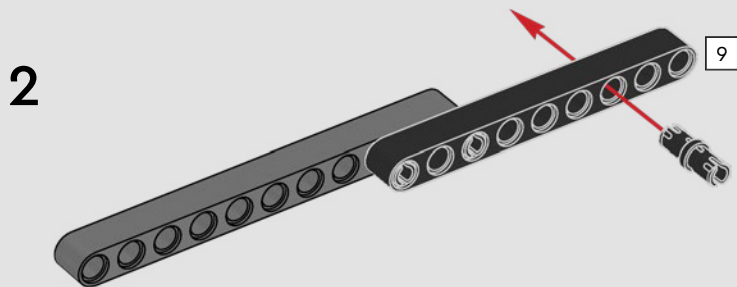
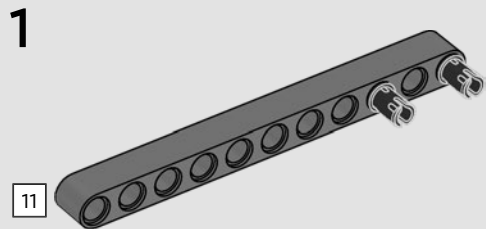
1x

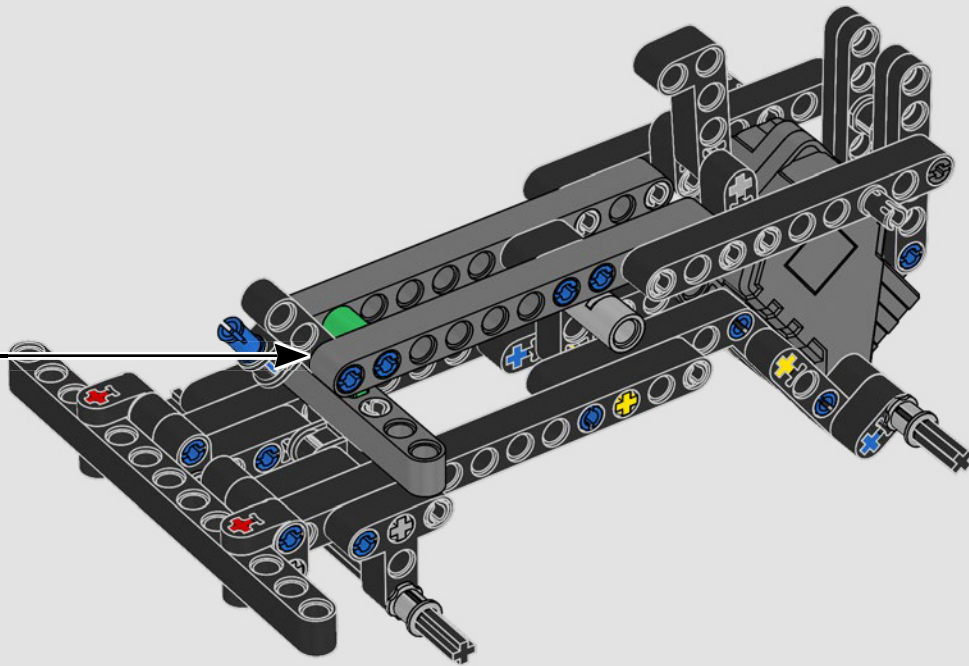
# 28

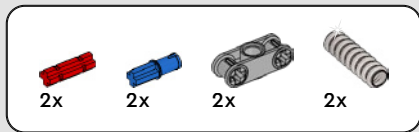




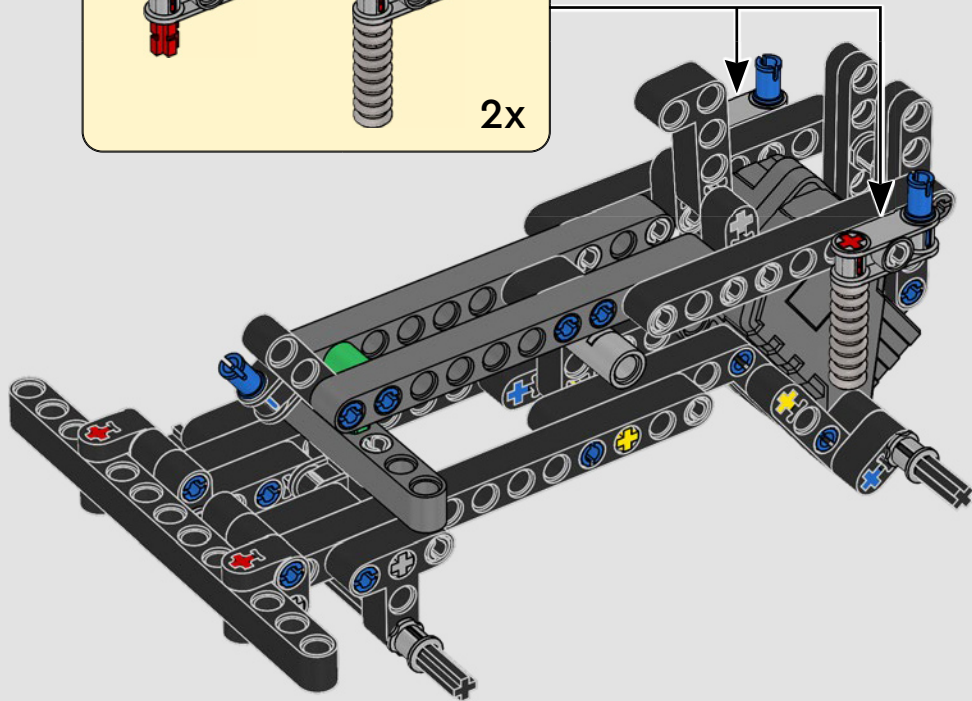
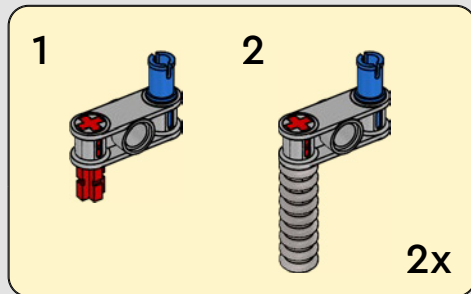
# 29

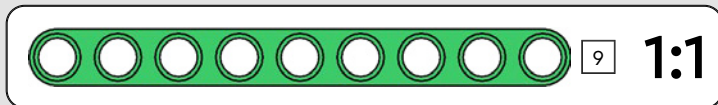
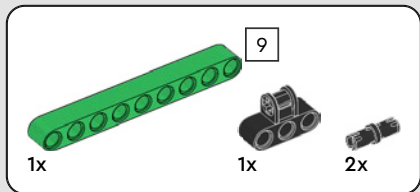




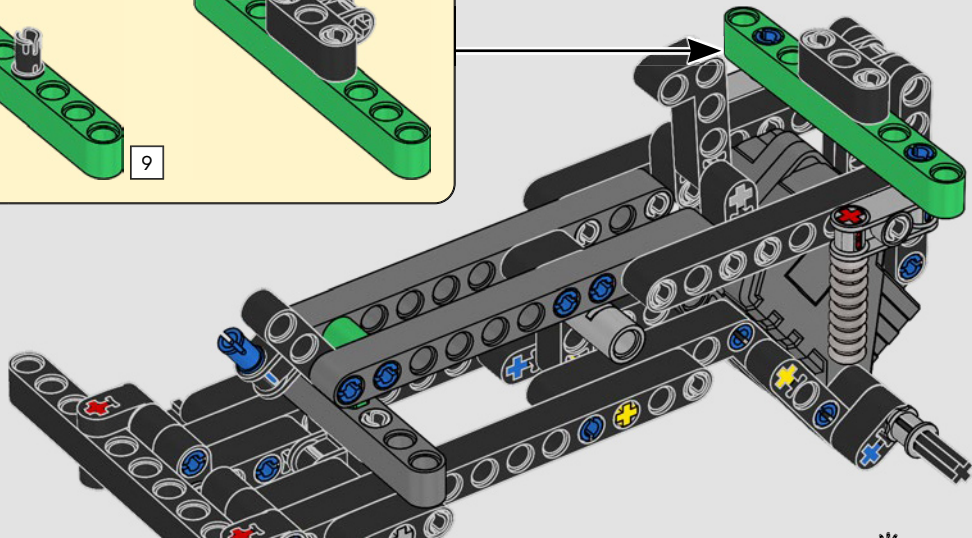
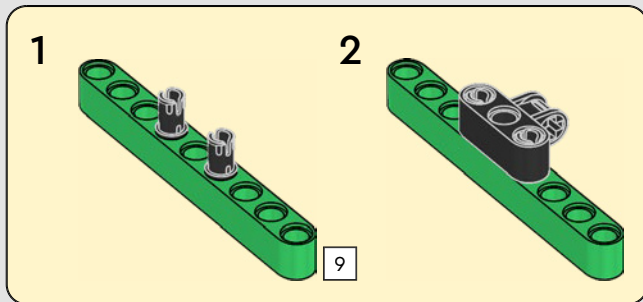


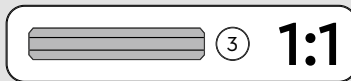
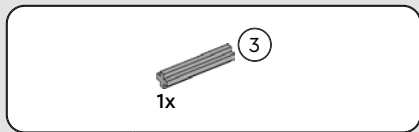
30



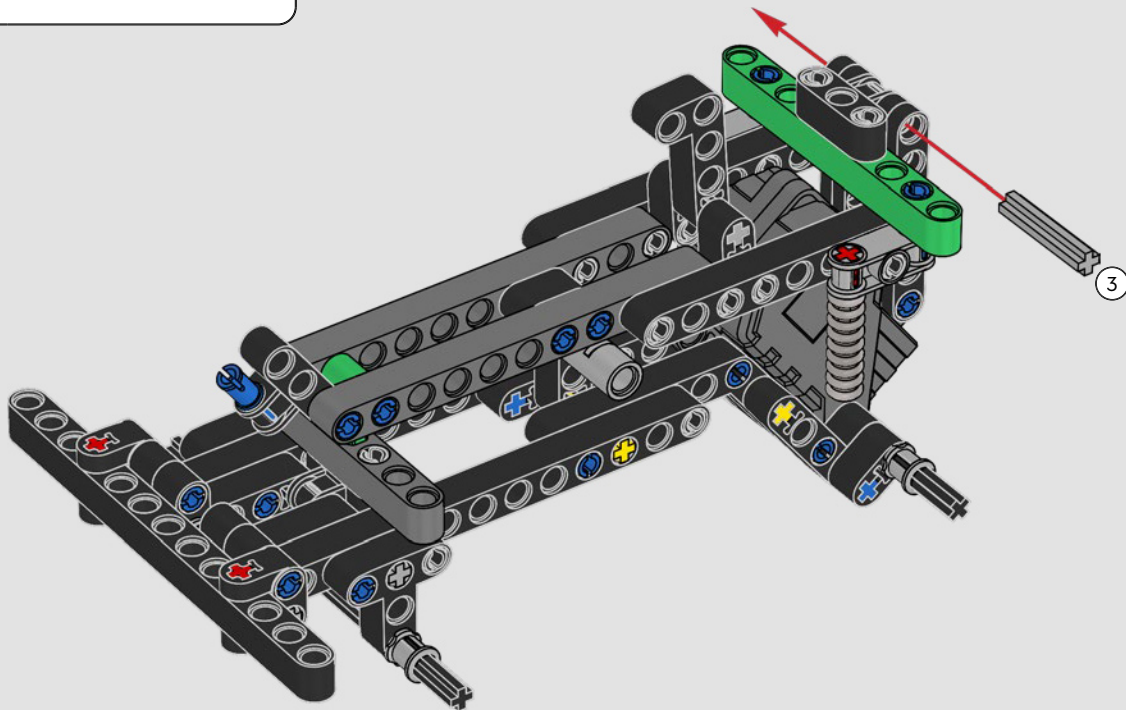


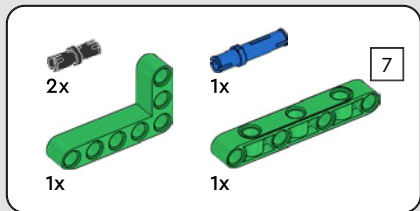
31



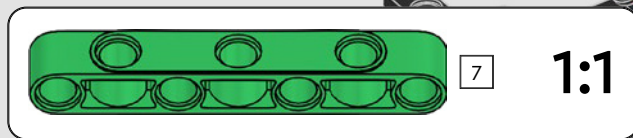
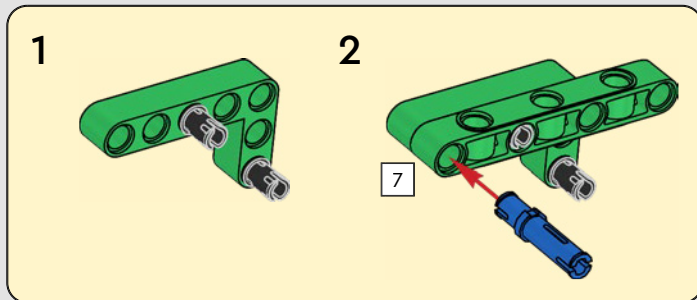


32

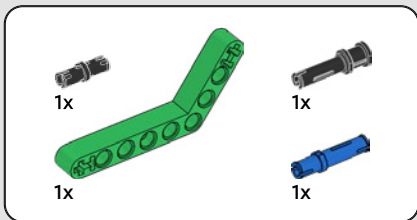
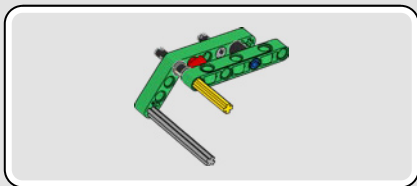




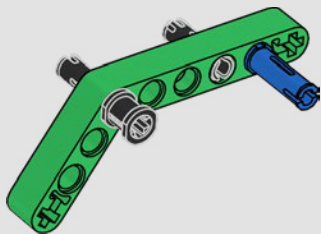
33



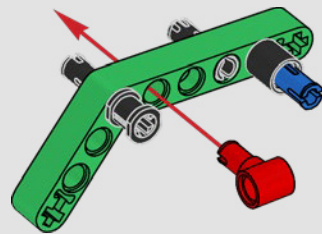


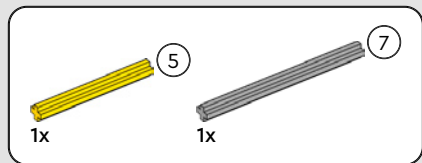


34

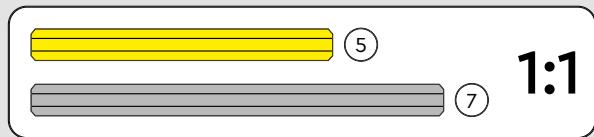
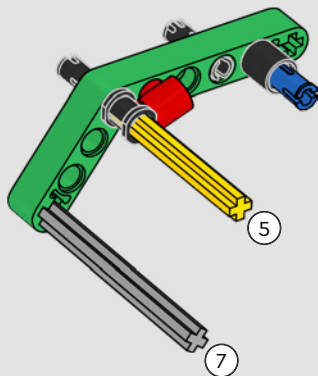


35

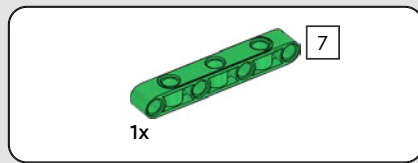




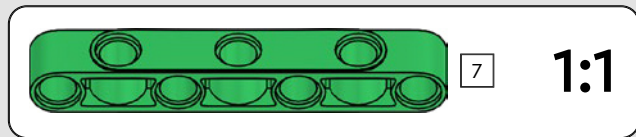
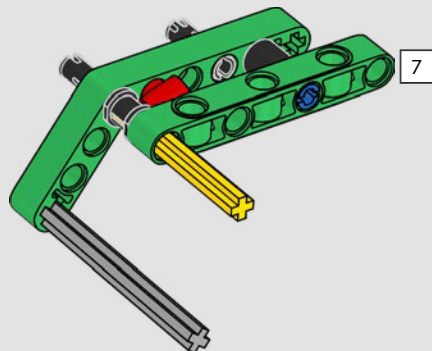
36



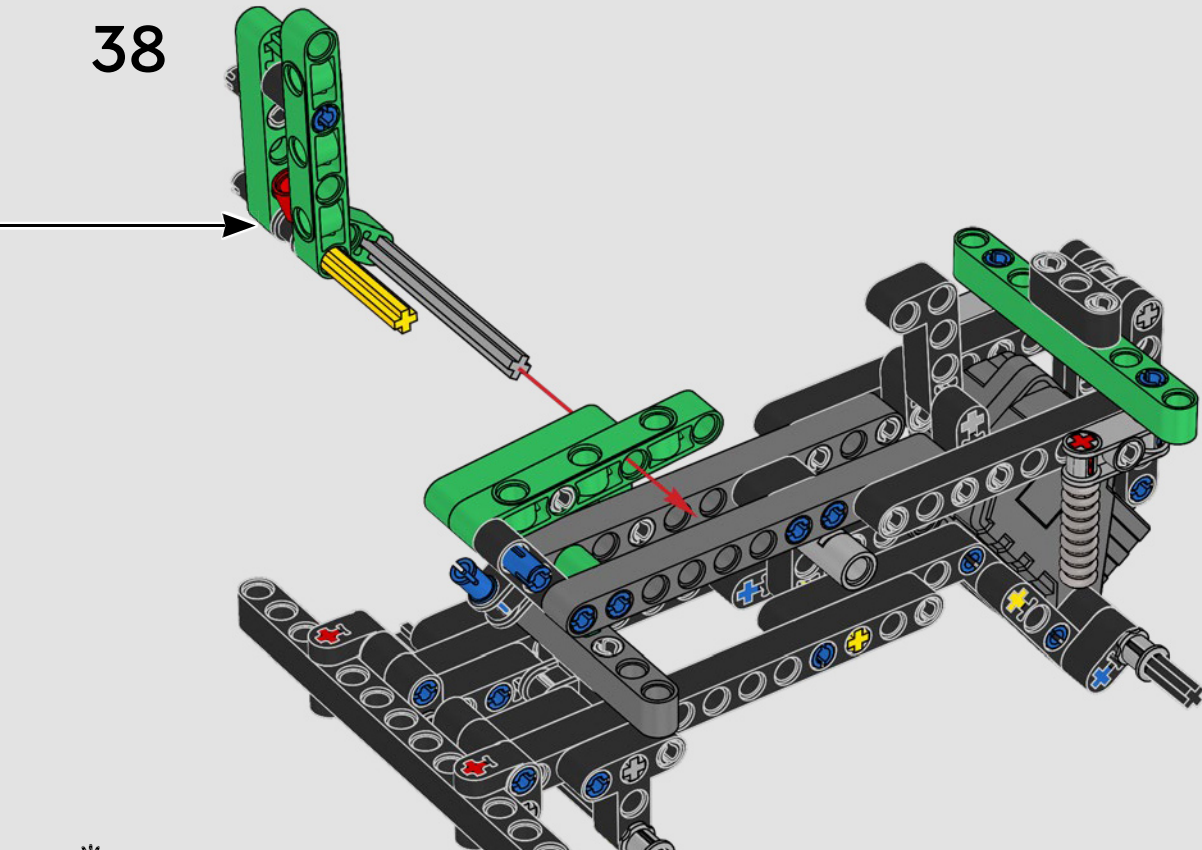
34



37



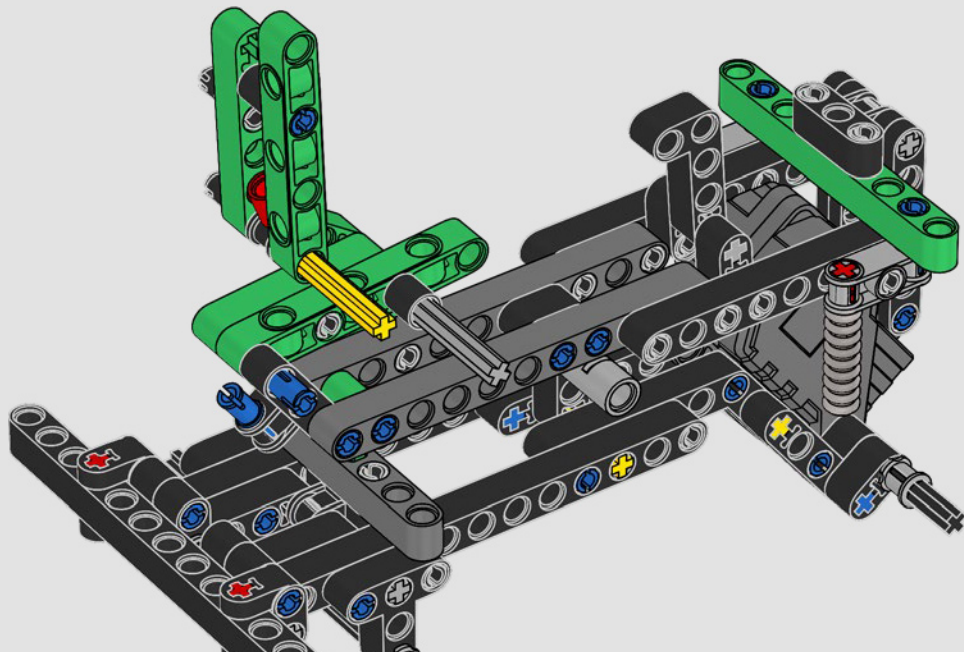
38

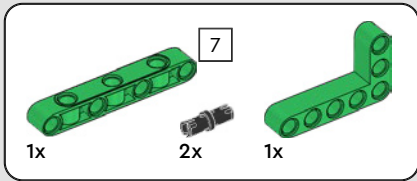




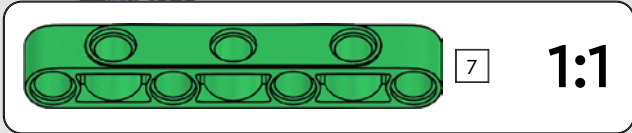
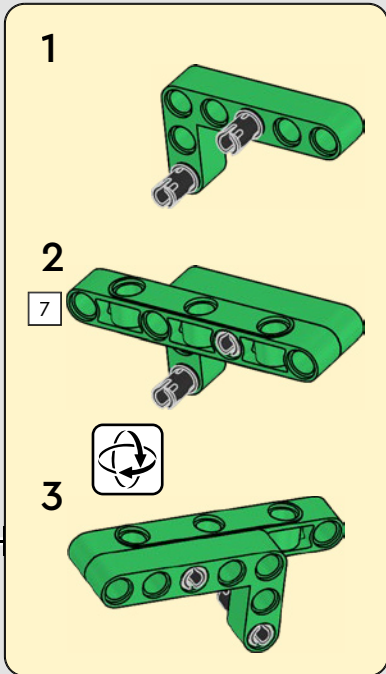
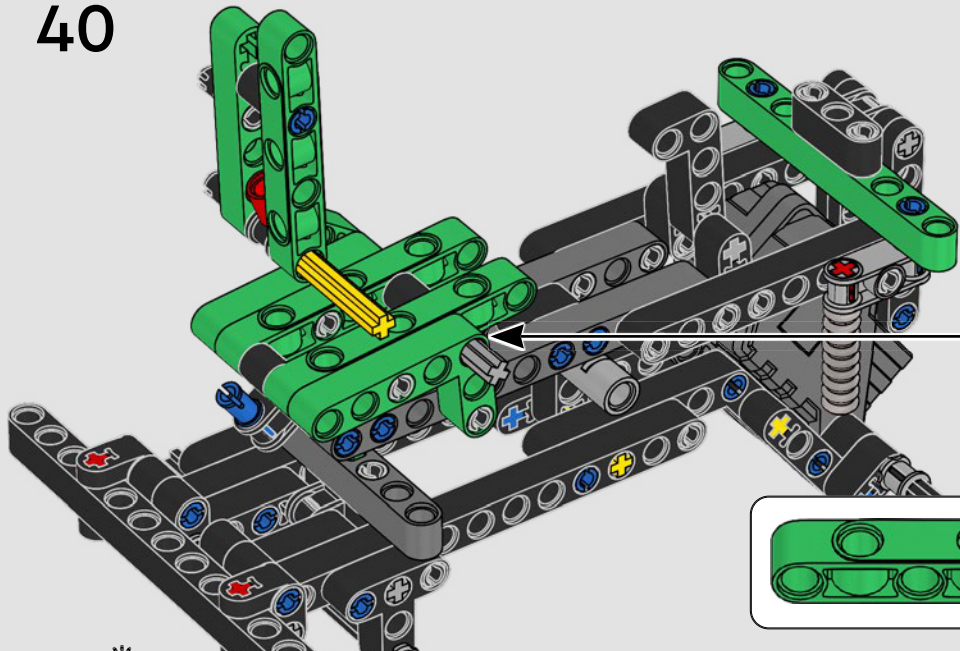
1x

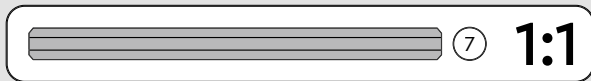
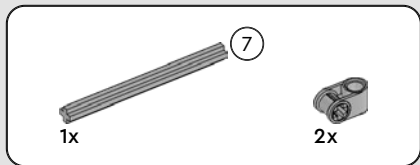
39



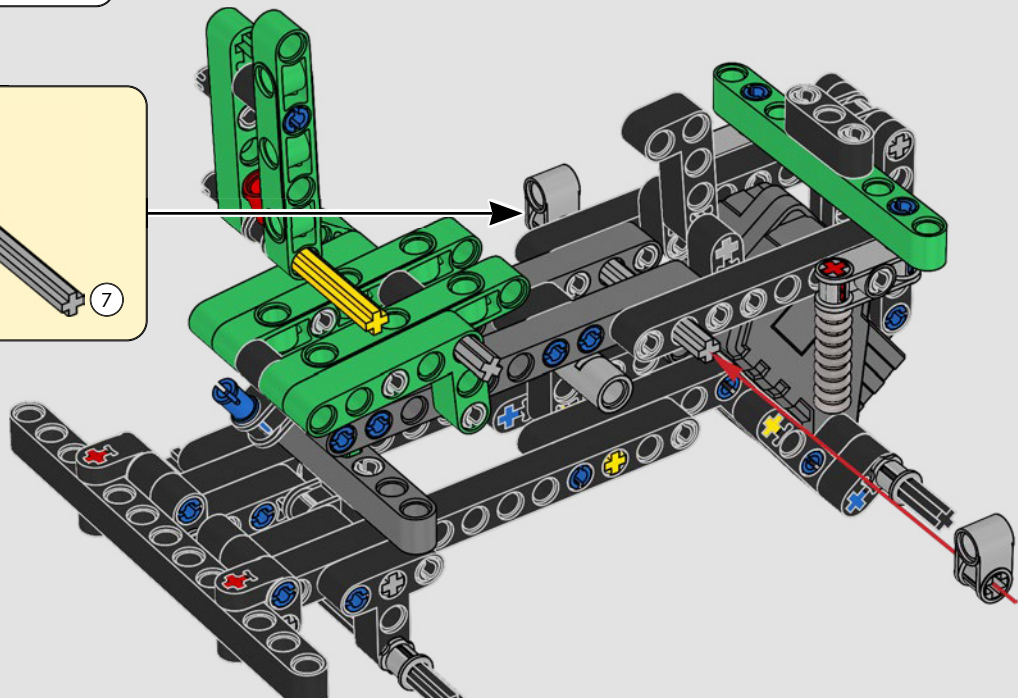
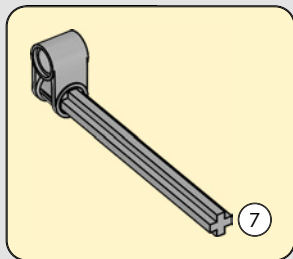


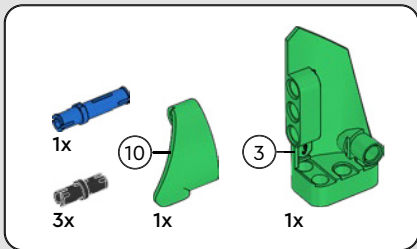
40



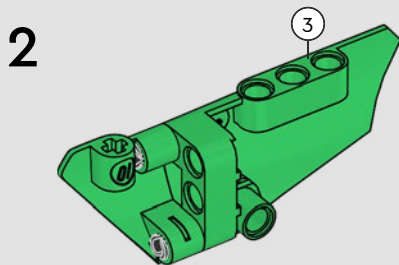
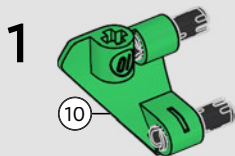


41

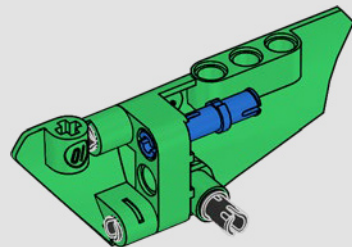




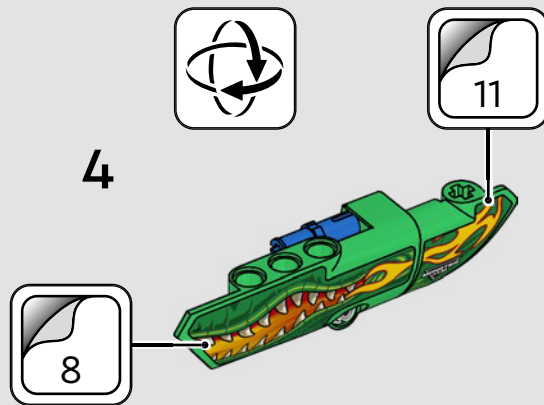
42

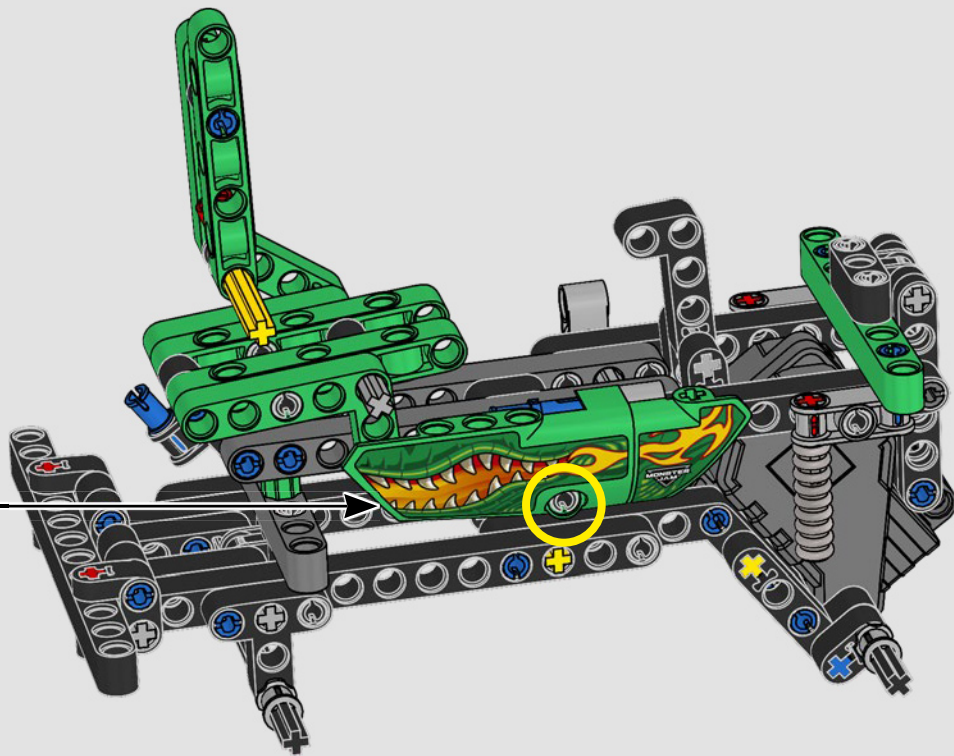


3

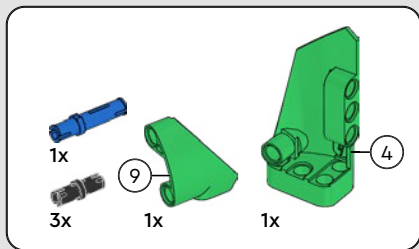


4



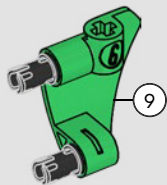




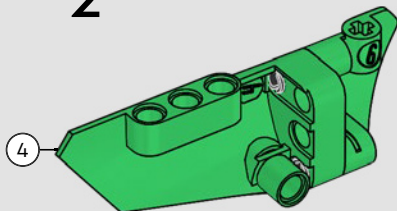


43

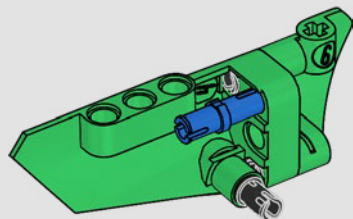
1



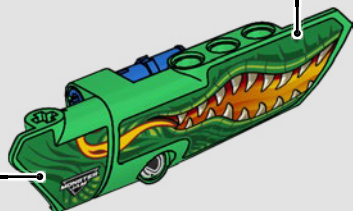
2

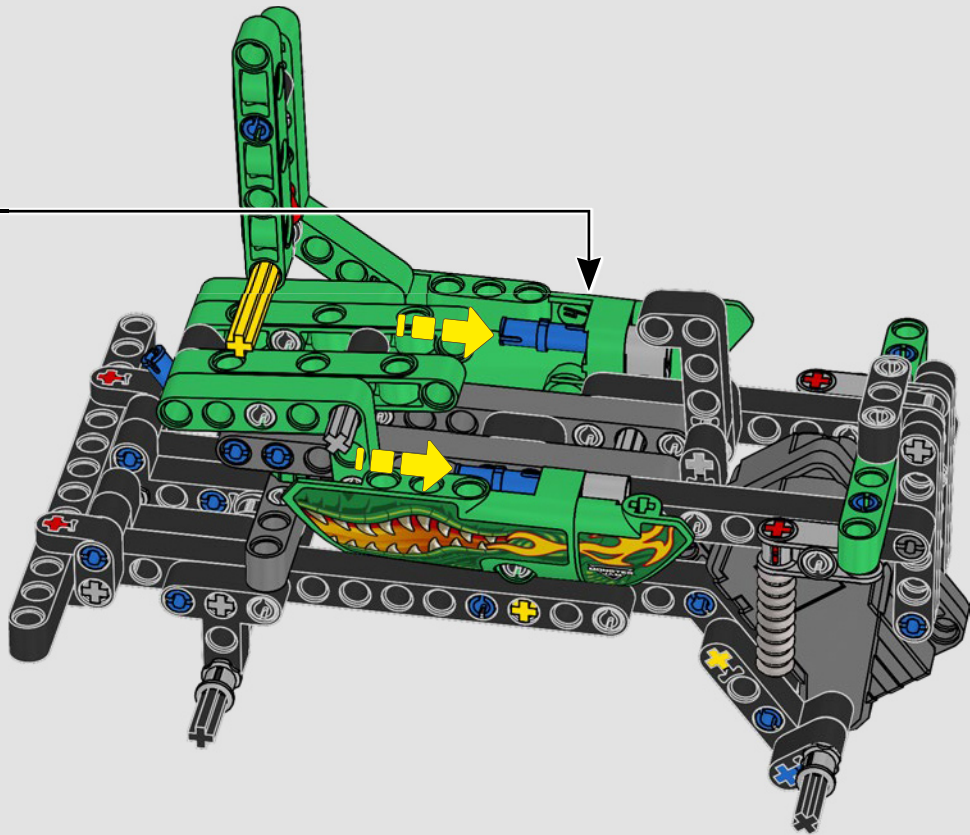


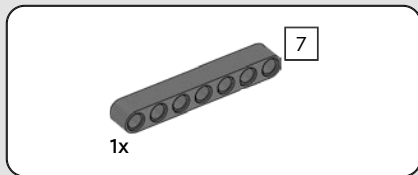
3



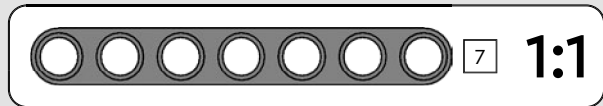
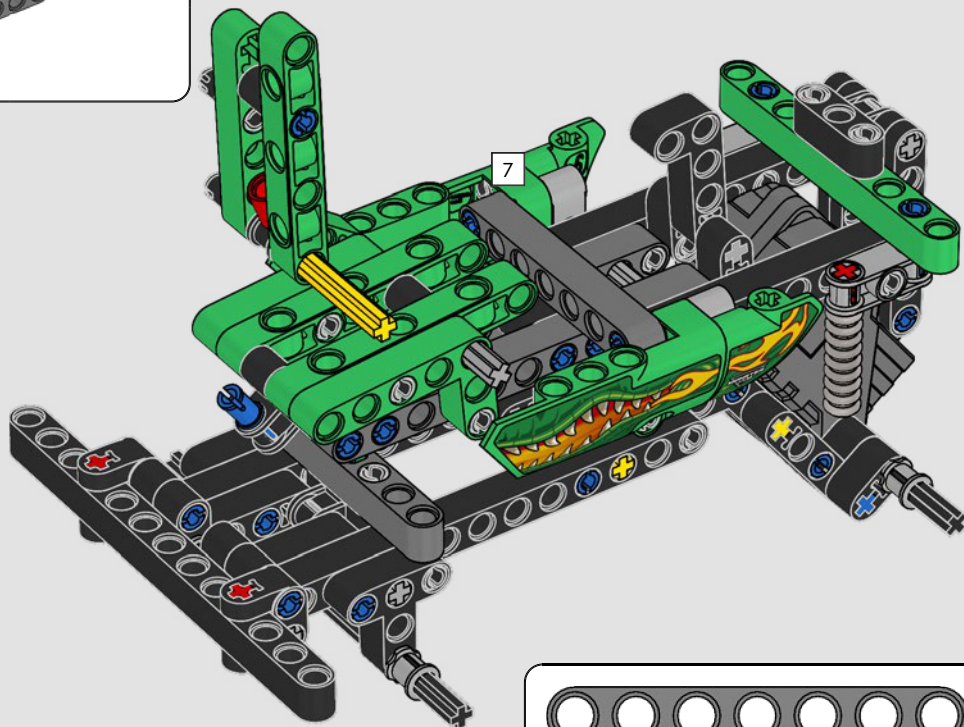
4

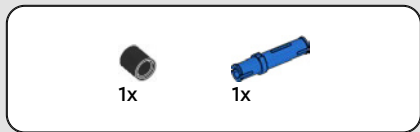




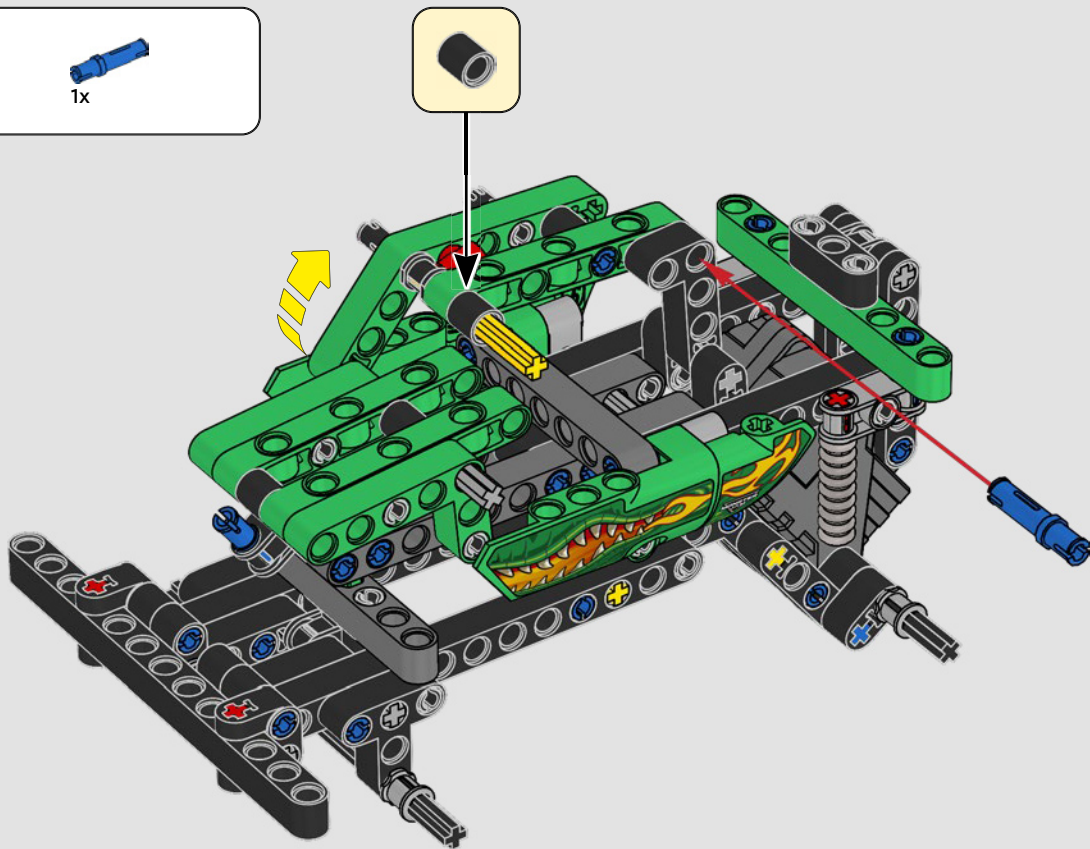


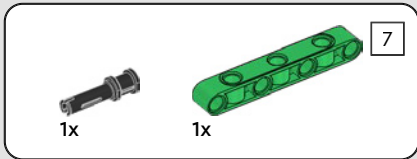
44



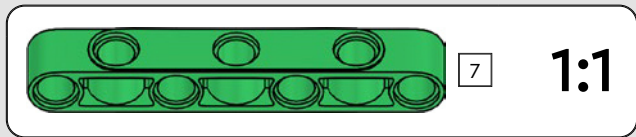
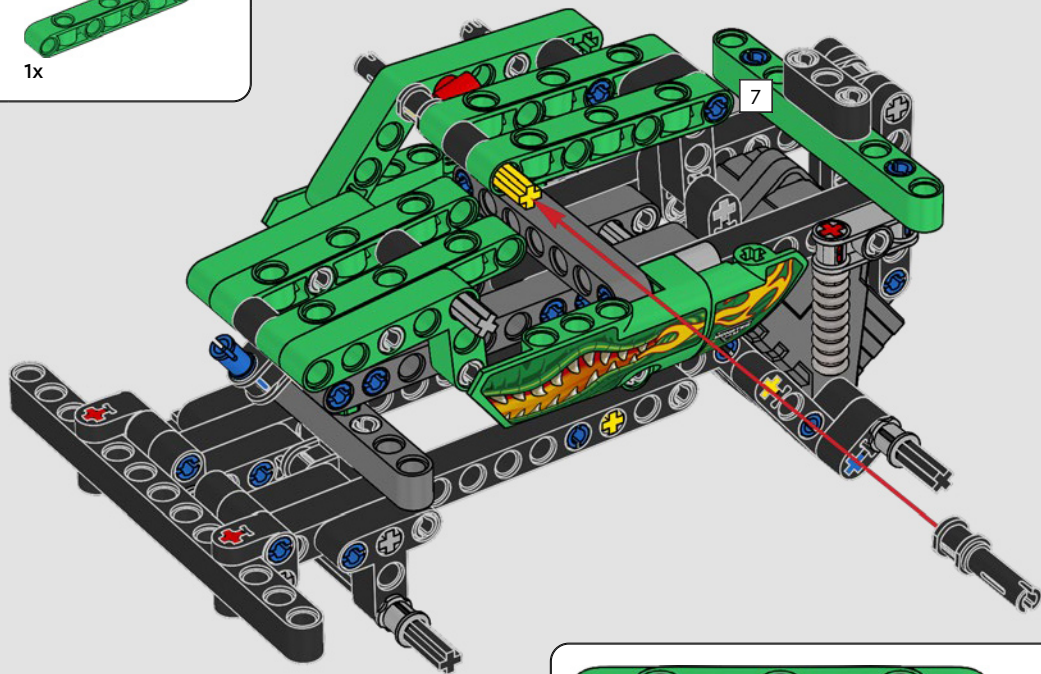


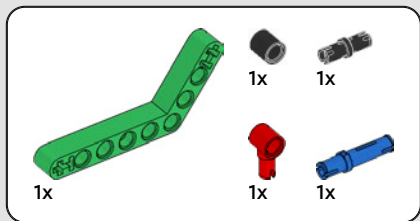
45





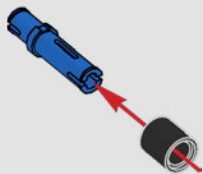
46



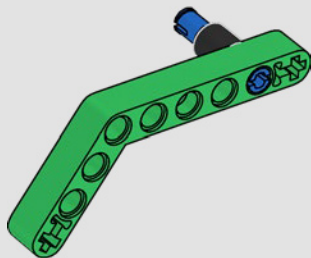


47

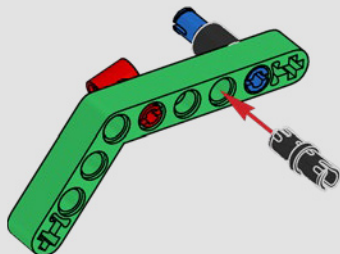
1

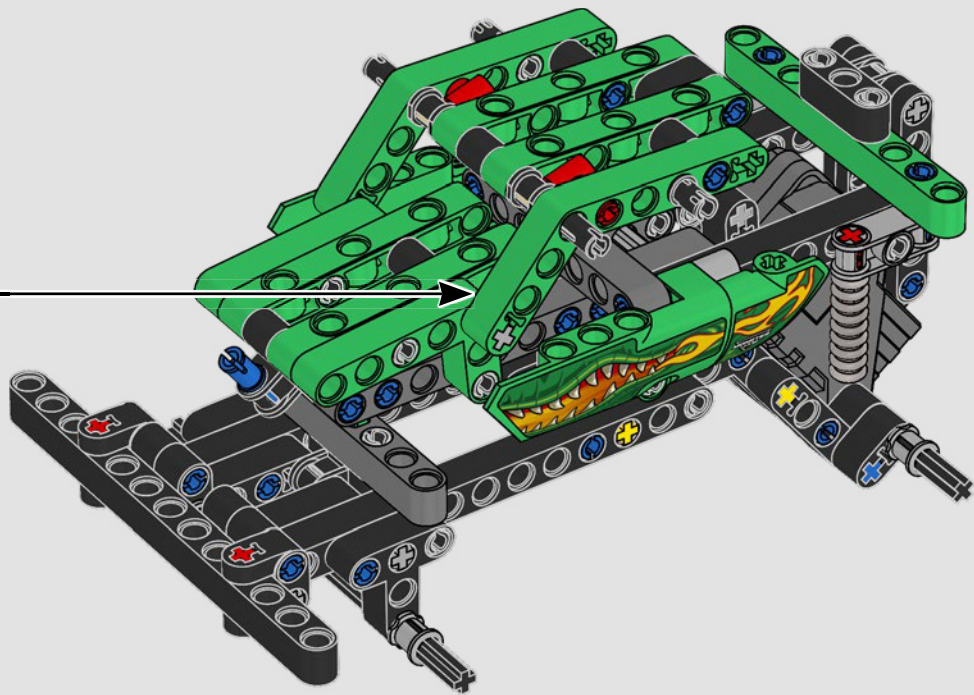


2



3





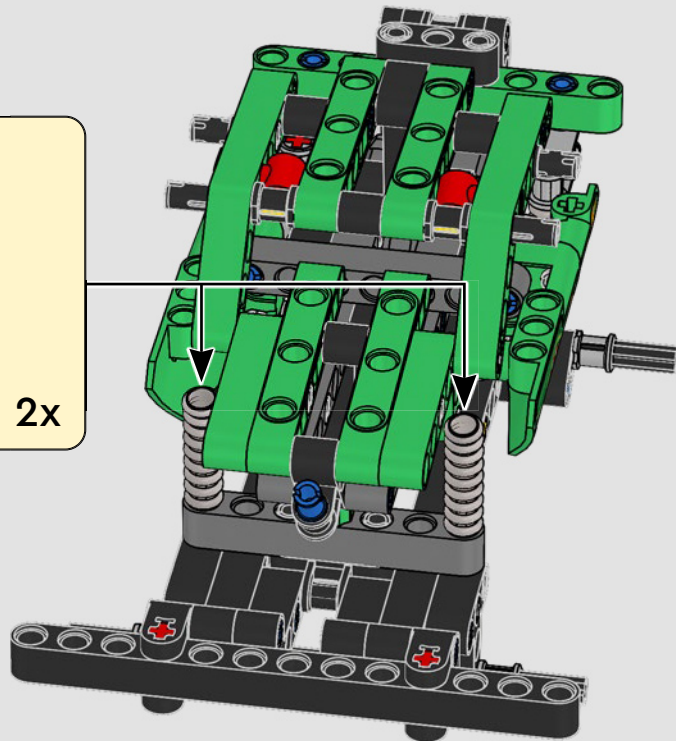
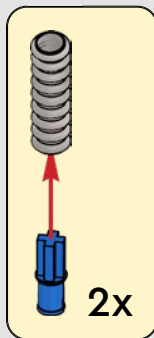


2x

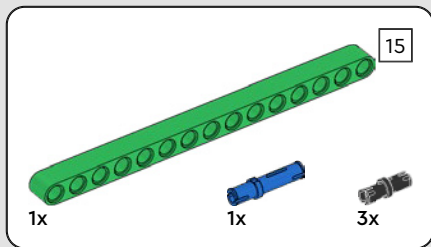


2x

48

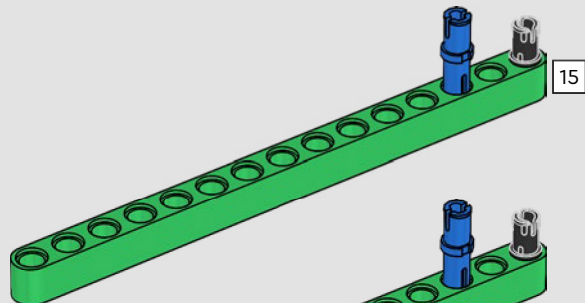




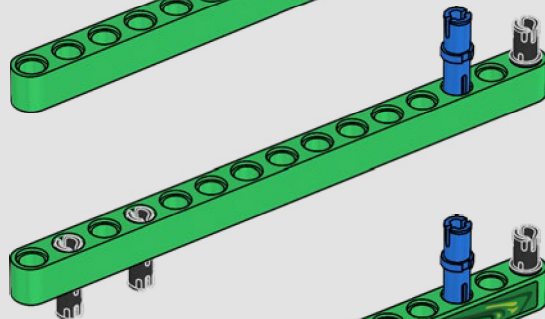


49

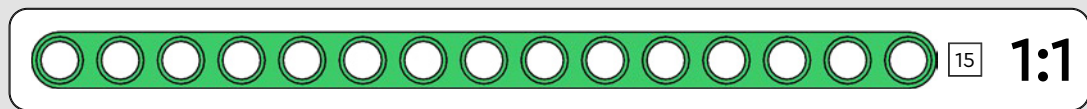
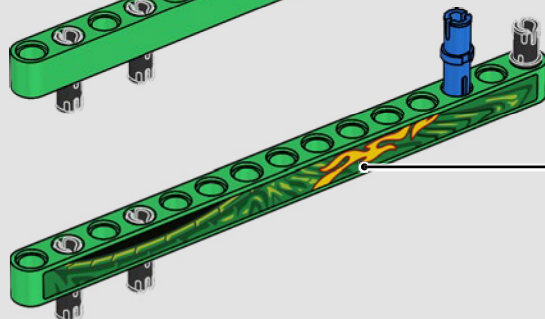
1

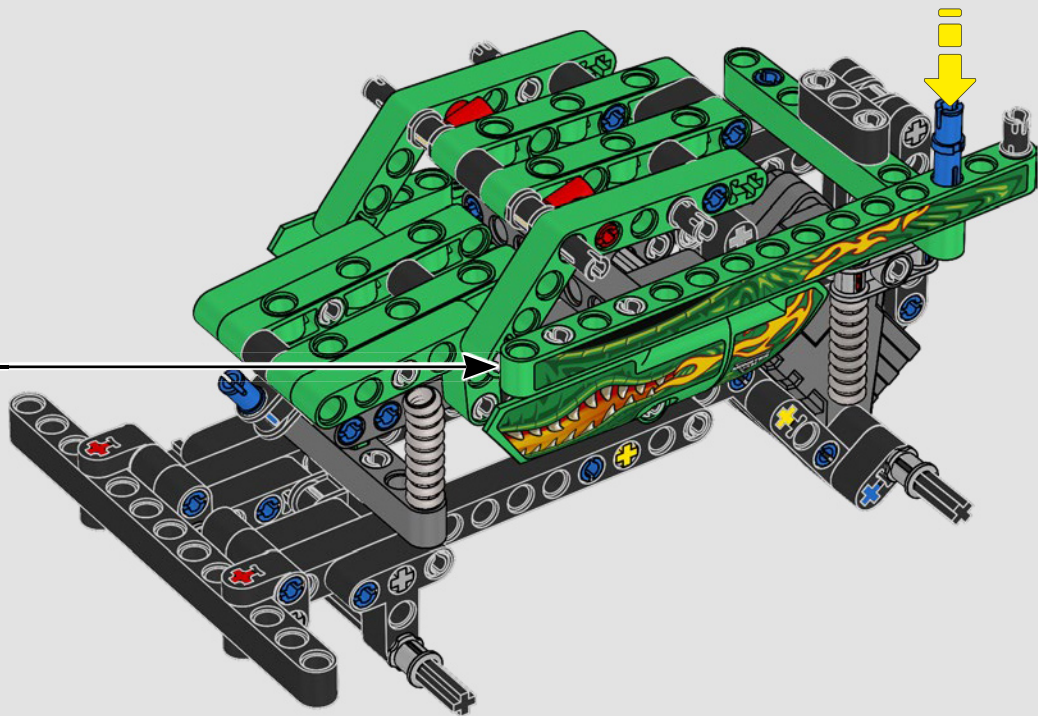


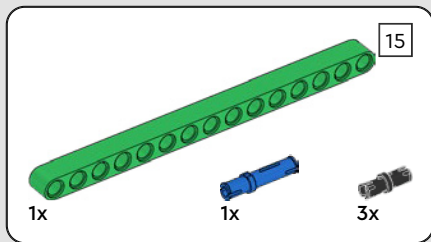
2



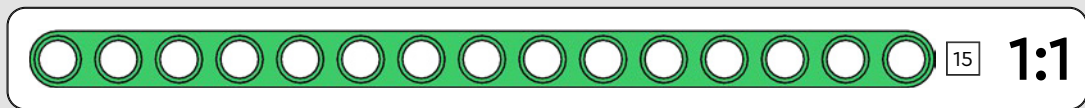
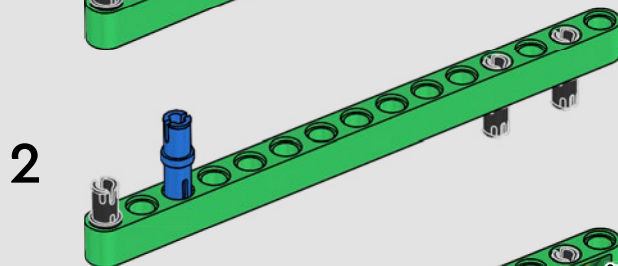
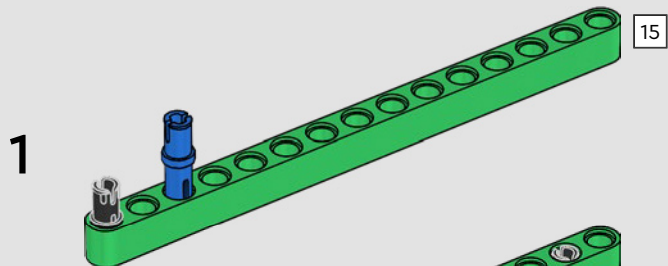
3

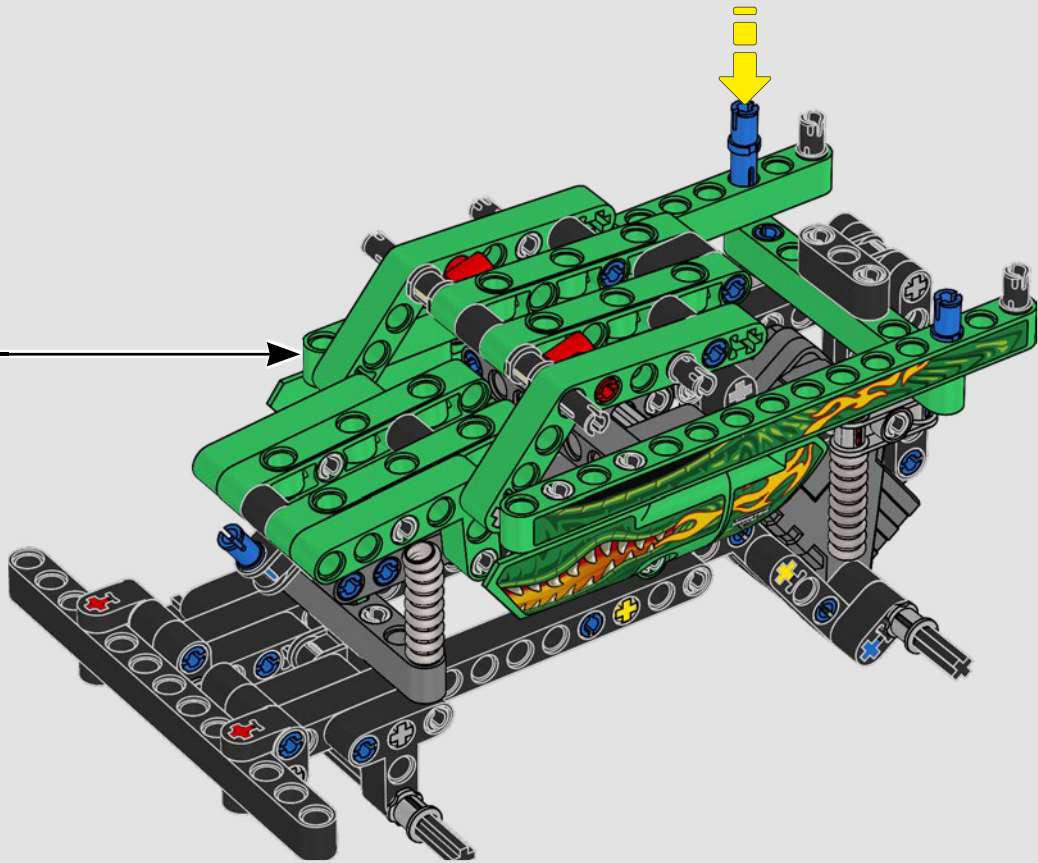


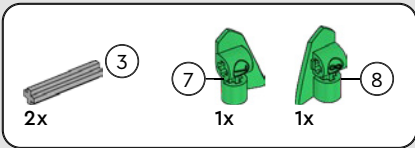




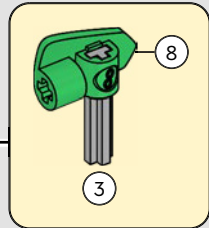
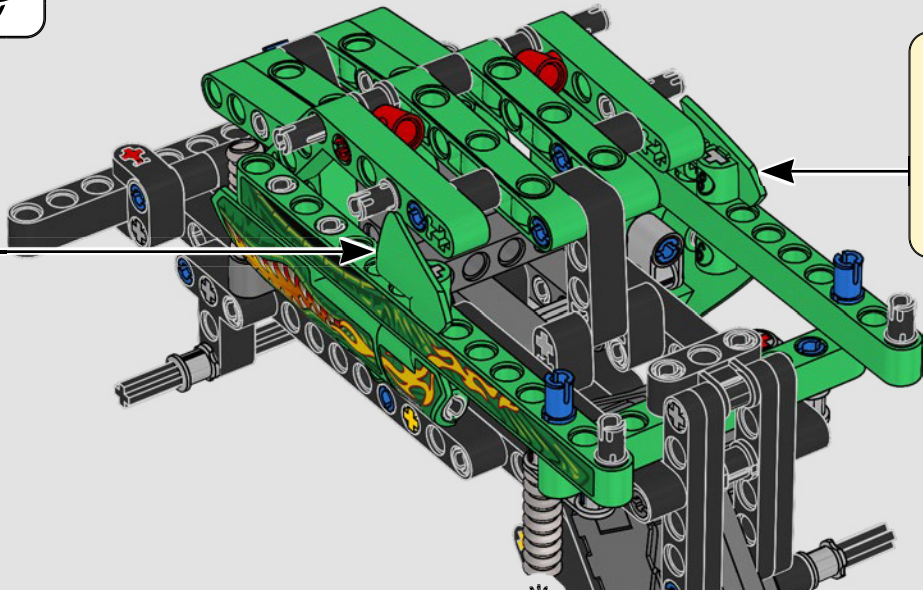
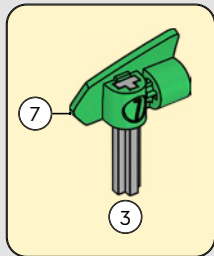
50

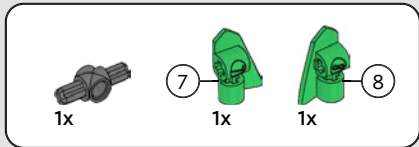




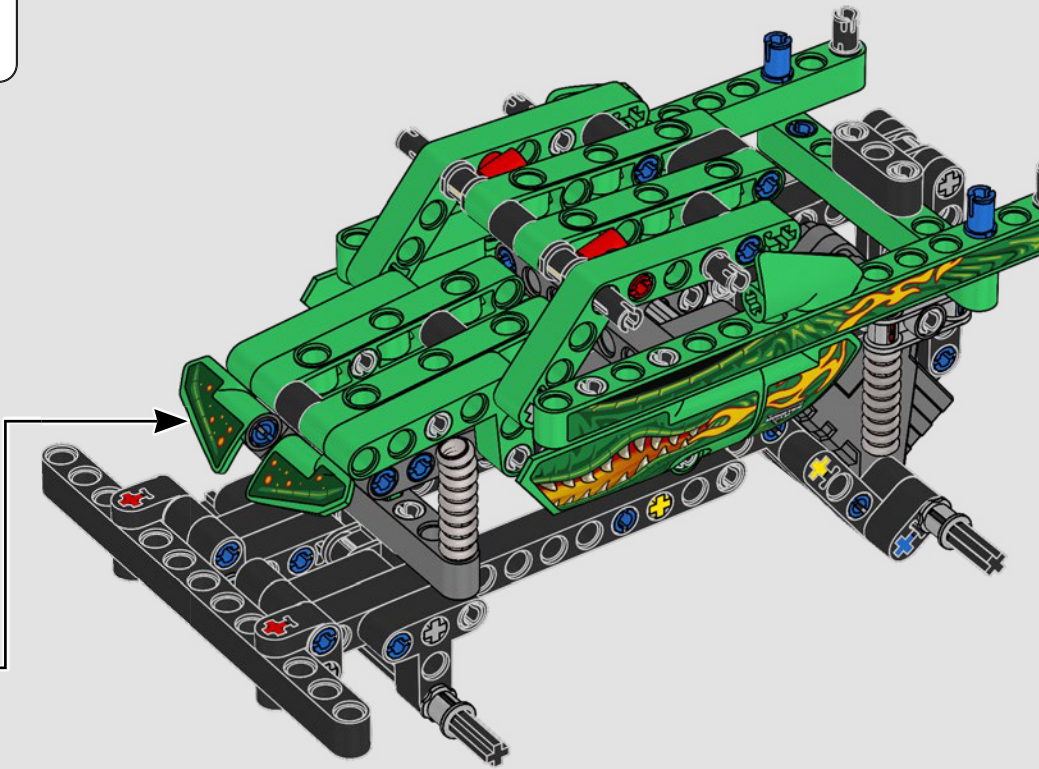
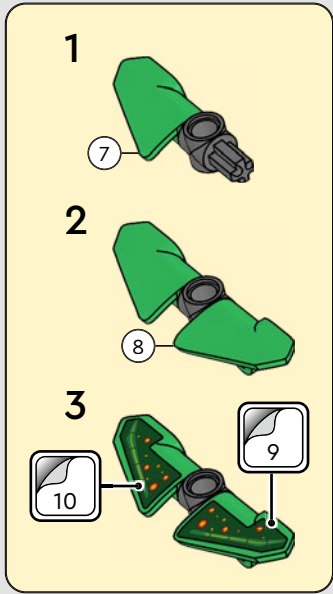


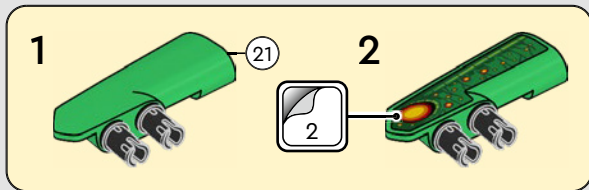
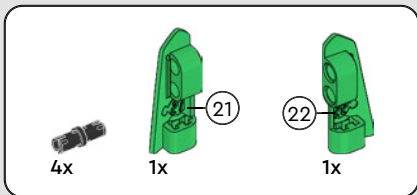
51



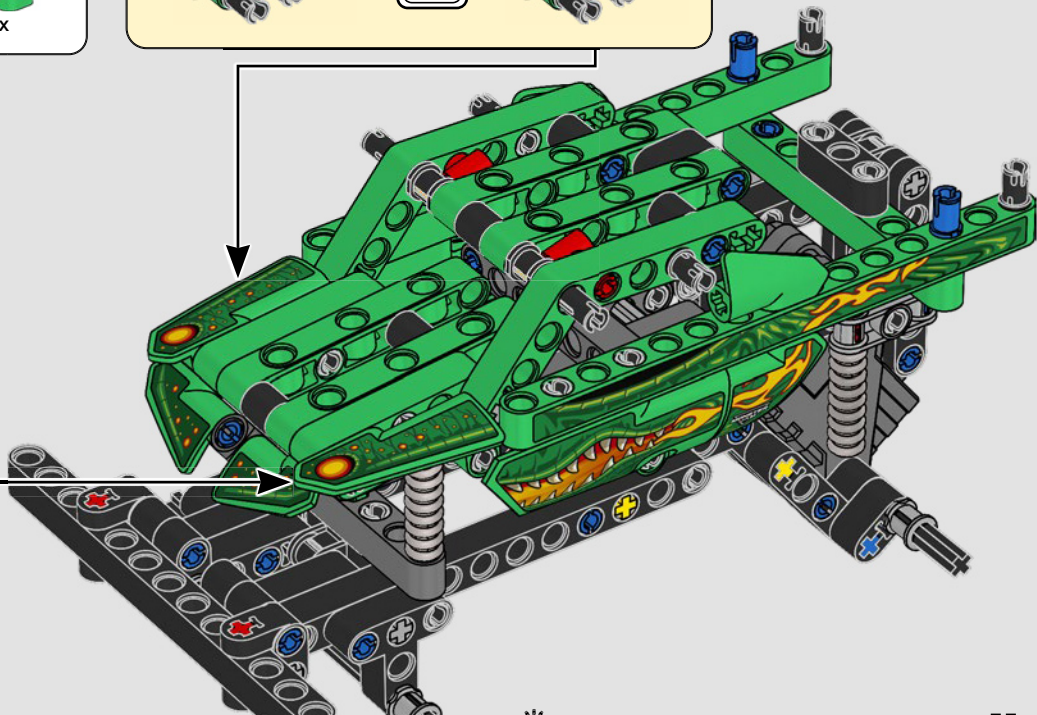
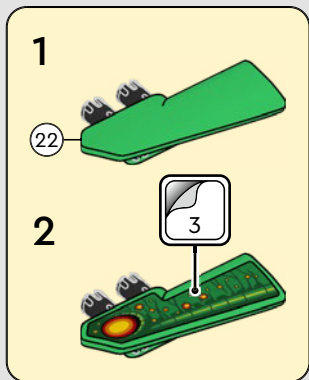


# 52



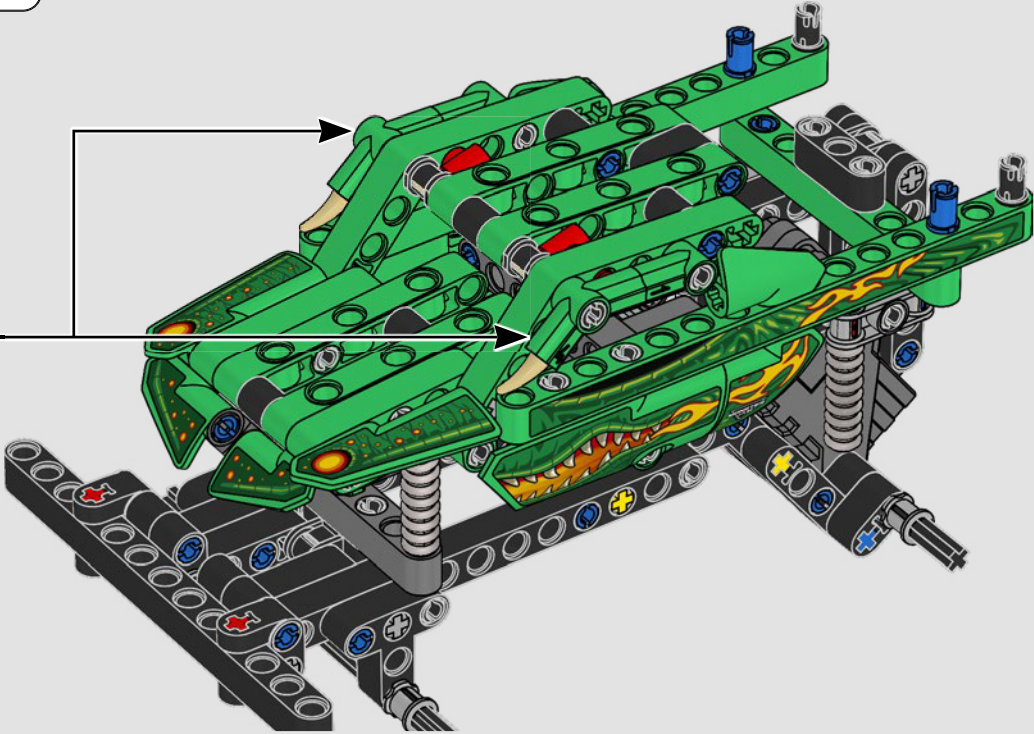
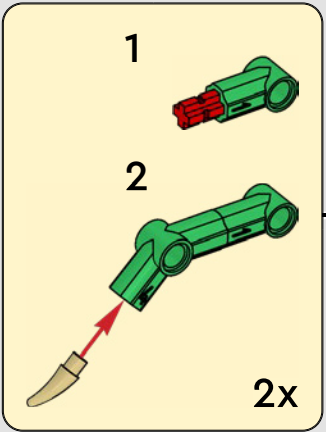


53





# 54







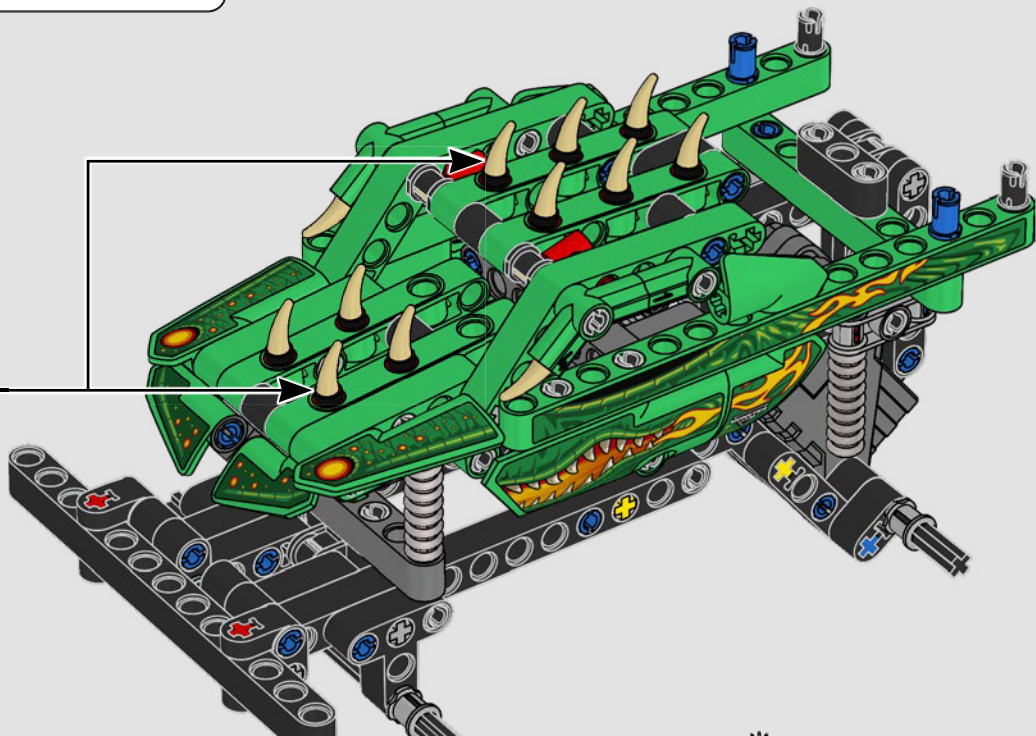
10x

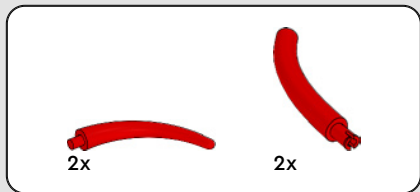
10x

55

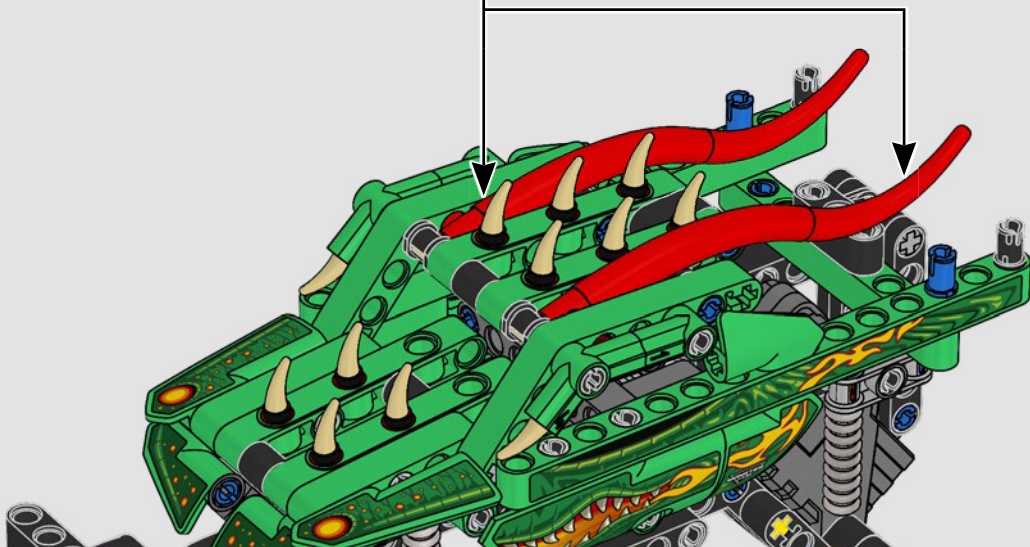
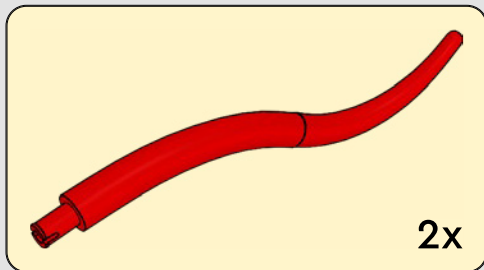


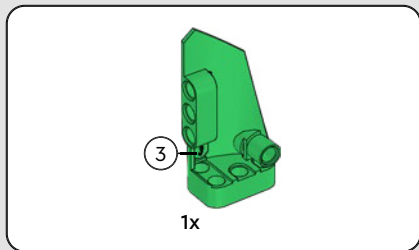
10x



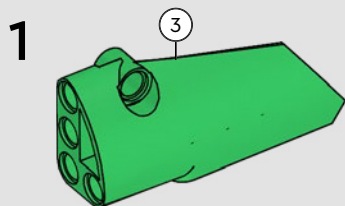


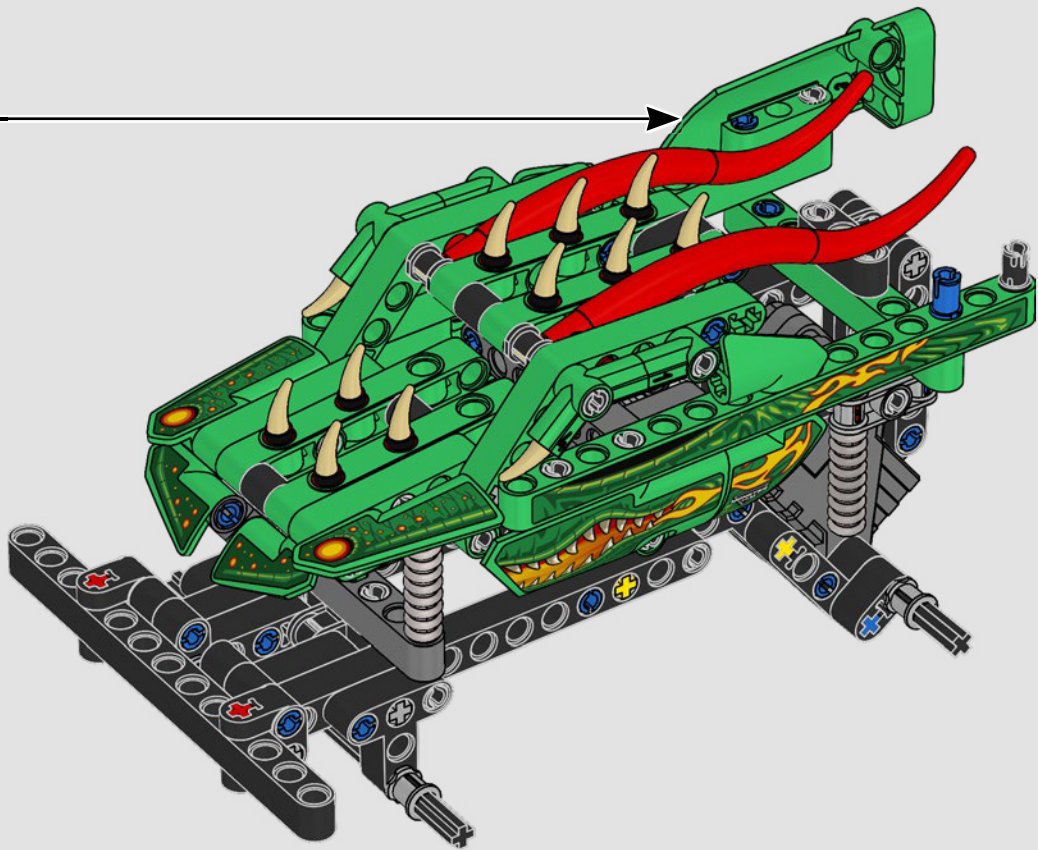
56

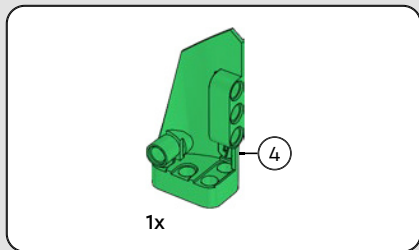




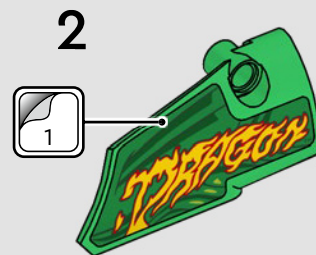
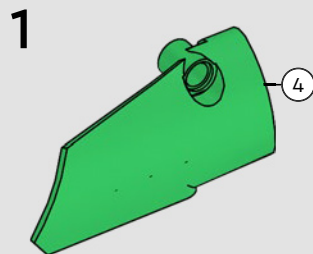
57

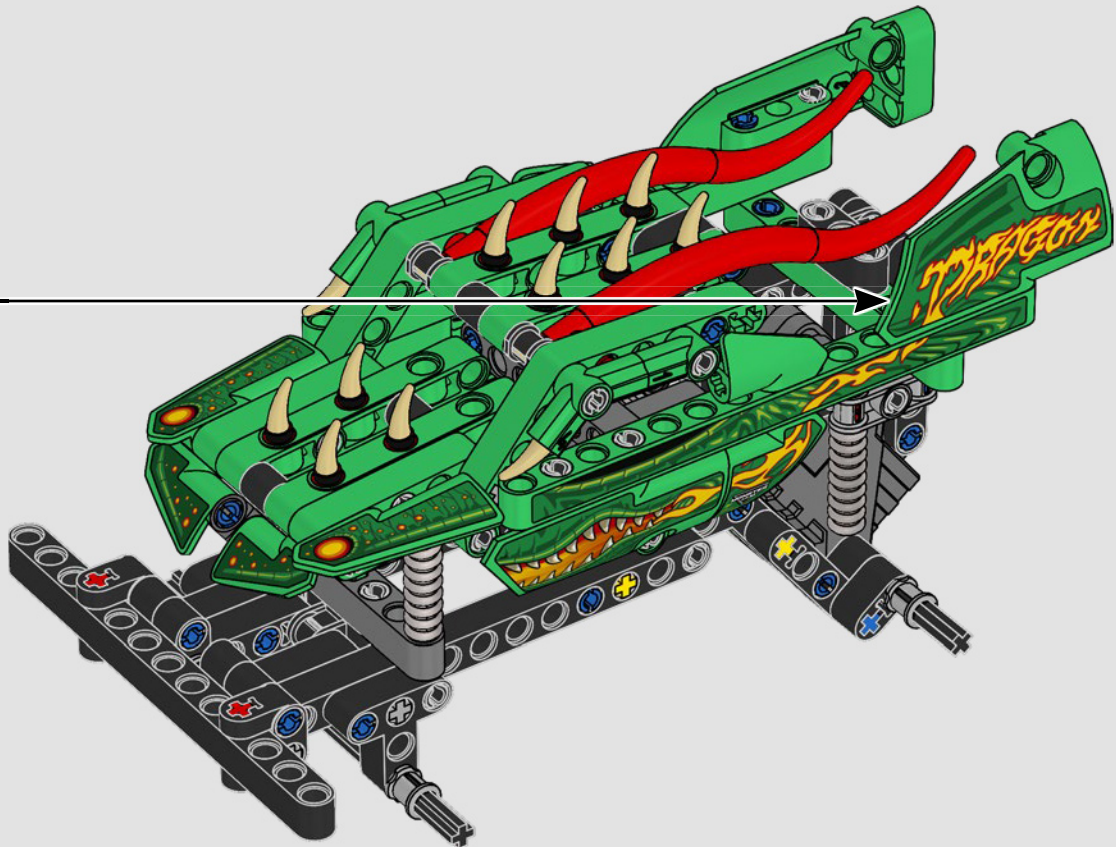


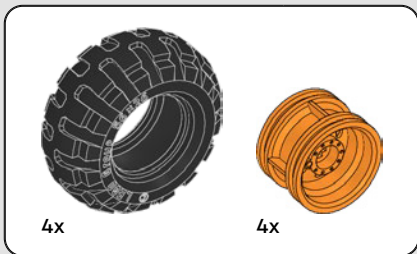




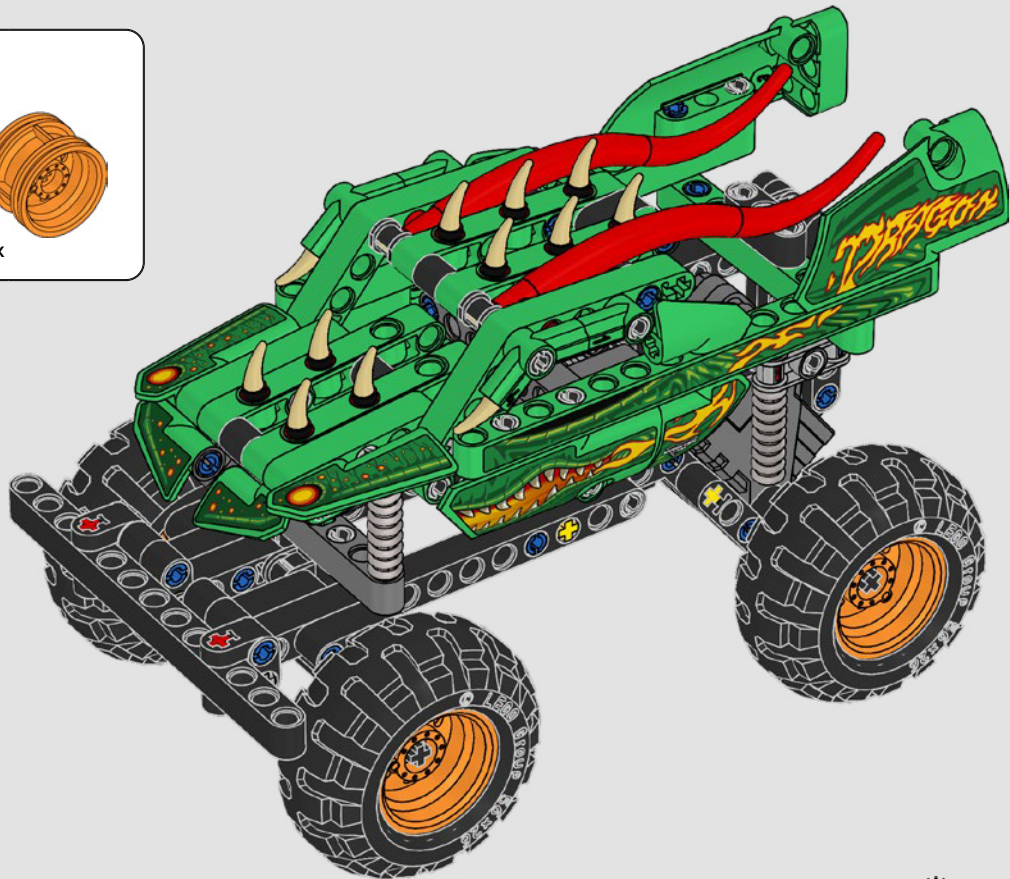
58







59



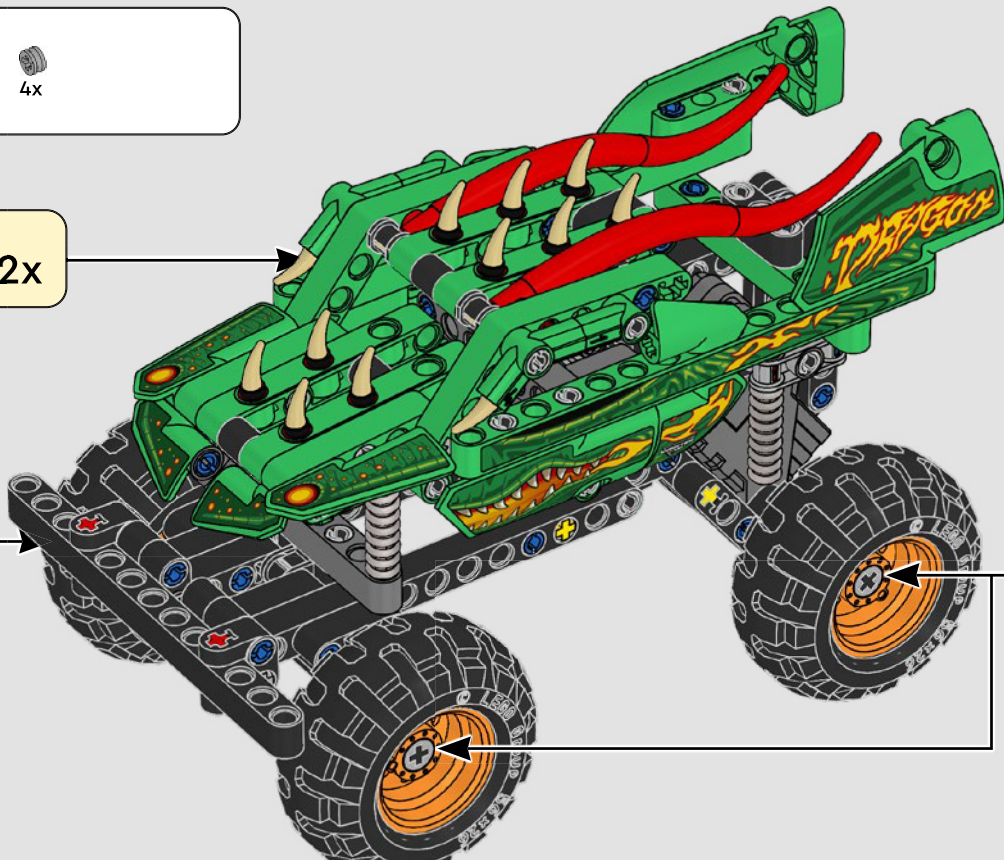


4x

60



2x



2x







**TECHNIC**<sup>TM</sup>



2x  
6334505

10x  
6378120

6x  
4142865



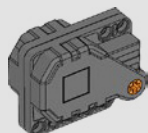
2x  
6336922

2x  
6253828

4x  
6271165

5x  
6275844

2x  
6261375



1x  
6143751

6x  
6121485

38x  
6279875

4x  
6265091

2x  
6349281

3x  
6321745

2x  
4552347

3x  
6362991

6x  
6271825

4x  
6163980

7

2x  
4495931

2x  
4603472



4x  
4297209



2x  
6279881

12

2x  
370826

3x  
4522933

12x  
6063671

7

4x  
4211805

3

4x  
4211815



2x  
6276969

2x  
6173127

2x  
6015356

2x  
6167281

1x  
6167281

1x  
6167281

1x  
6167281

1x  
6167281

2x  
6420614

11x  
4206482

20x  
6299413

5

3x  
6130008



4x  
6207477

8

2x  
6420781

9

1x  
6408169

21

1x  
6374530

4

2x  
6374073

3x  
6428614

2x  
6420635

2x  
6013557

7

2x  
6420780

10

1x  
6408170

22

1x  
6374074

3

2x  
6374072



2x  
6418454

7

4x  
6408167

9

1x  
6115618

15

2x  
6418453

[LEGO.com/service](http://LEGO.com/service)



YOU COULD  
**WIN**



Scan this QR code or go to  
**LEGO.COM/PRODUCTFEEDBACK** and give us  
your short feedback about this LEGO® set for  
a chance to win a cool LEGO prize.

Terms and Conditions apply\*

**DE: Du könntest GEWINNEN.** Es gelten die Teilnahmebedingungen\* **FR: Tu pourrais GAGNER.** Des conditions s'appliquent\* **IT: Potresti VINCERE tu.** Termini e condizioni sono applicabili\* **ES: Puedes GANAR.** Aplican términos y condiciones\* **PT: Poderá GANHAR.** Aplicam-se termos e condições\* **JA: プレゼント付き! 利用規約が適用されます\*** **ZH: 轻松获奖. 条款和条件适用\*** **KO: 상품의 주인이 되어보세요. 소정의 약관이 적용됩니다\*** **RU: Вы можете ВЫИГРАТЬ.** Действуют положения и условия\* **PL: Szansa na WYGRANĄ.** Obowiązują warunki korzystania\* **CS: Máte šanci VYHRÁT.** Platí všeobecné smluvní podmínky\* **SK: Máte šancu VYHRAŤ.** Platia všeobecné zmluvné podmienky\* **HU: TE IS NYERHETSZ.** Felhasználási feltételek érvényesek\* **RO: Ai putea CÂȘTIGA.** Se aplică termenii și condiții\* **BG: Можете да СПЕЧЕЛИТЕ.** Има определени правила и условия\* **LV: Tu vari LAIMĒT.** Ir spēkā noteikumi un nosacījumi.\* **ET: Sul on võimalus VÕITA.** Kehtivad tingimused\* **LT: Jūs galite LAIMĖTI.** Taikomos sąlygos\*

\*[LEGO.com/productfeedback-terms](https://www.lego.com/productfeedback-terms)

LEGO and the LEGO logo are trademarks of the/son des marques de commerce du/son marcas registradas de LEGO Group. ©2023 The LEGO Group.

©2023 Feld Motor Sports, Inc. MONSTER JAM™, DRAGON™ and all related logos and characters/designs are intellectual property of and used under license from Feld Motor Sports, Inc. All rights reserved.

6449345