



education

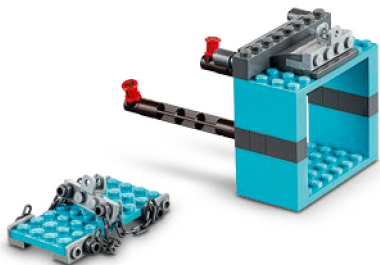


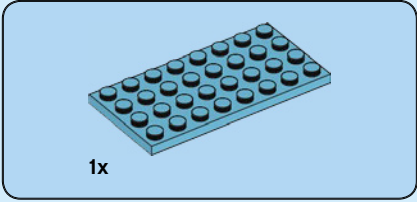
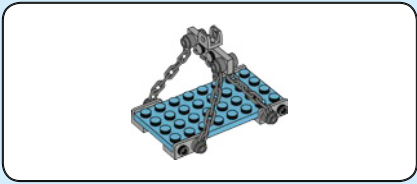
FIRST
LEGO
LEAGUE JR.

45810

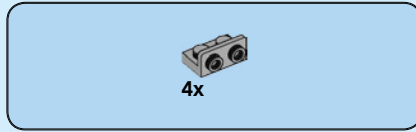
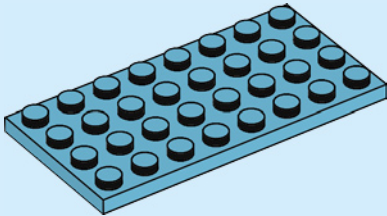


 **BOOMTOWN
BUILD**

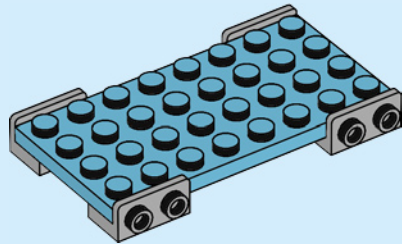


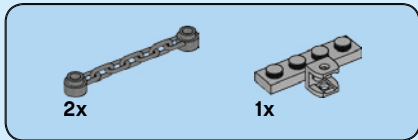


1

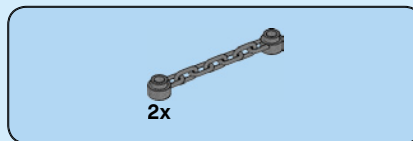
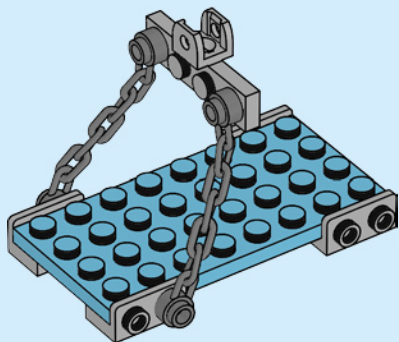


2

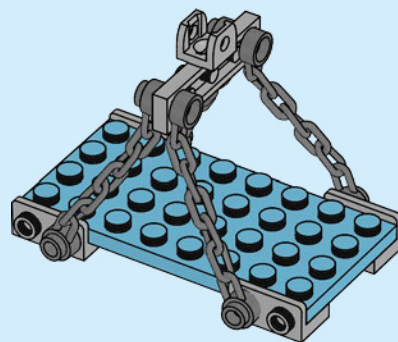




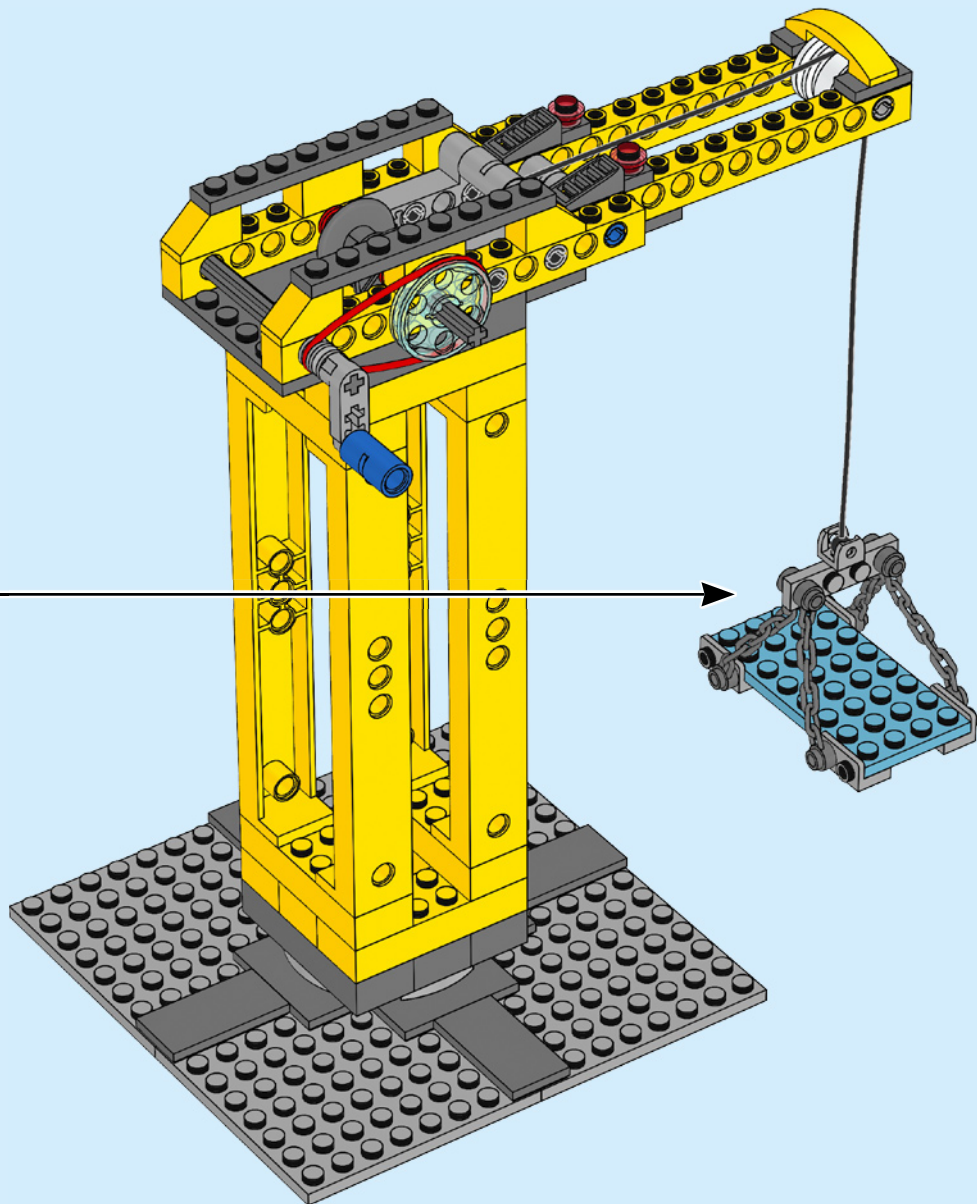
3



4

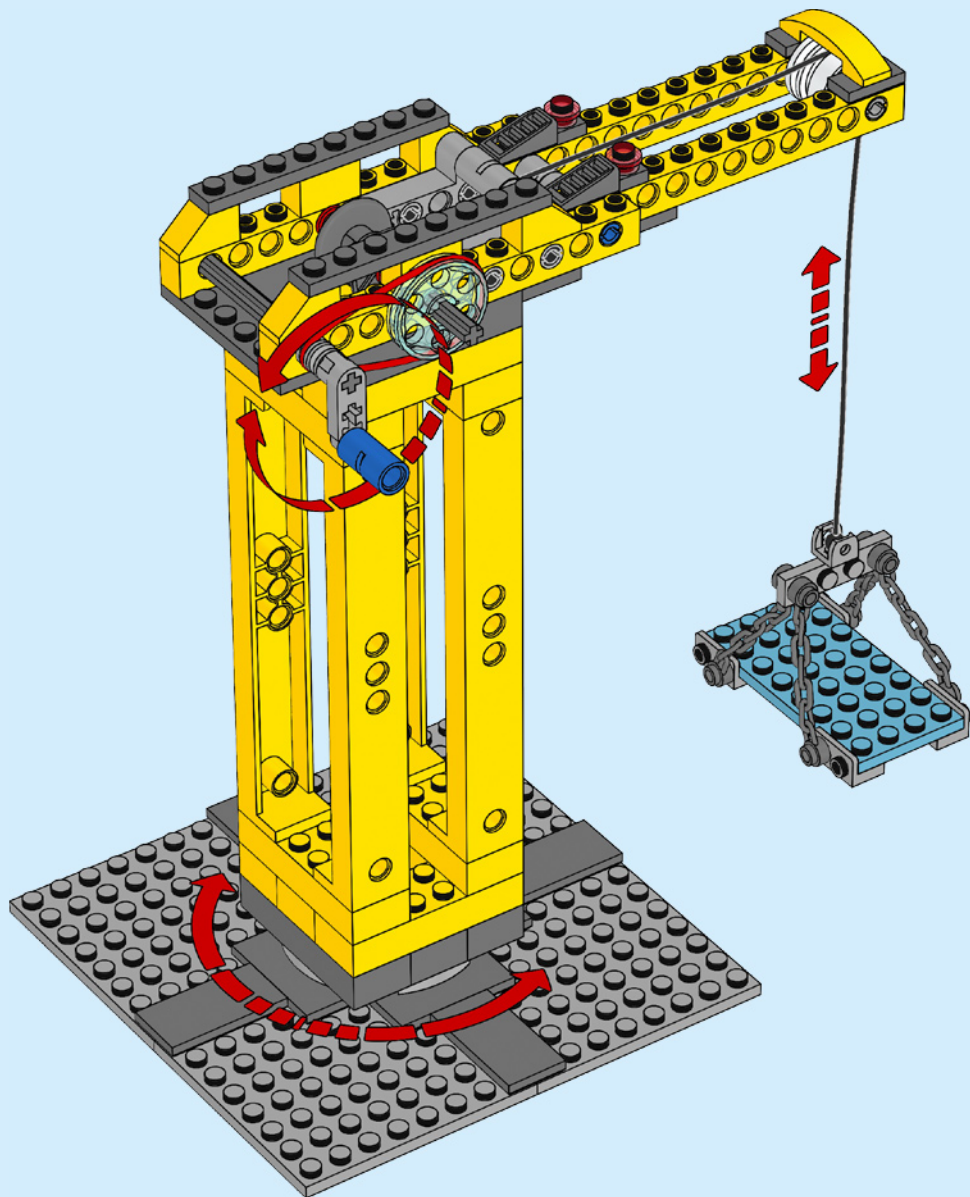


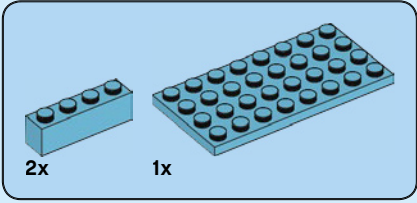
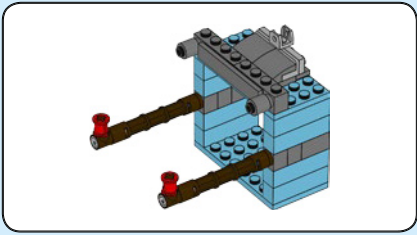
5



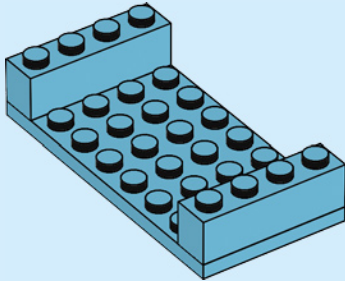
4

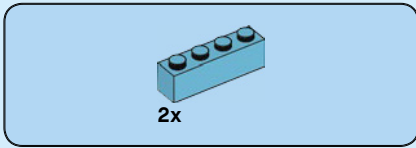
6



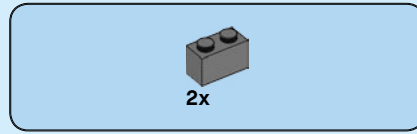
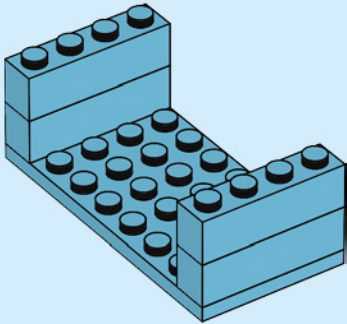


1

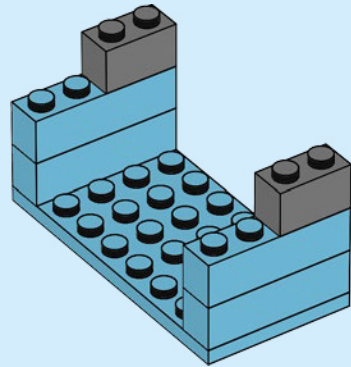




2

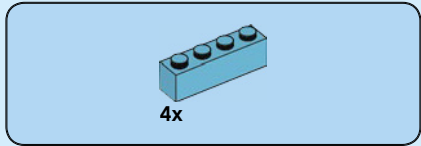
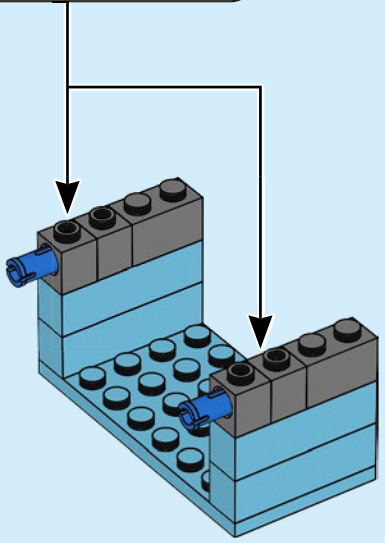
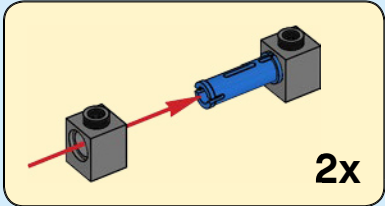


3

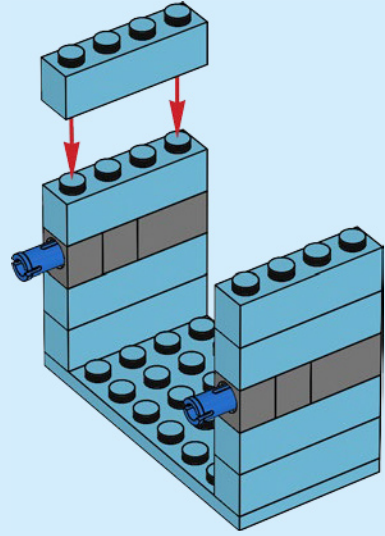


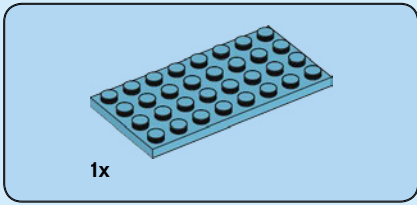


4

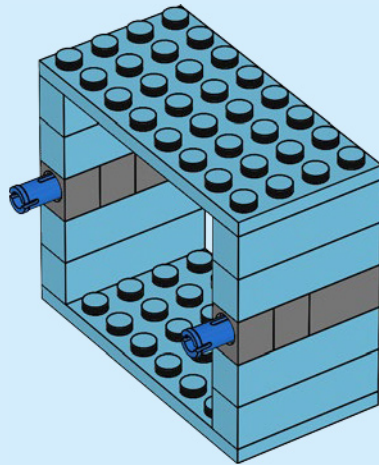


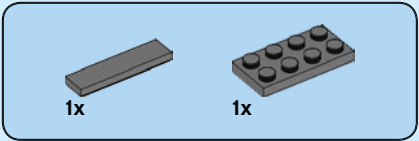
5



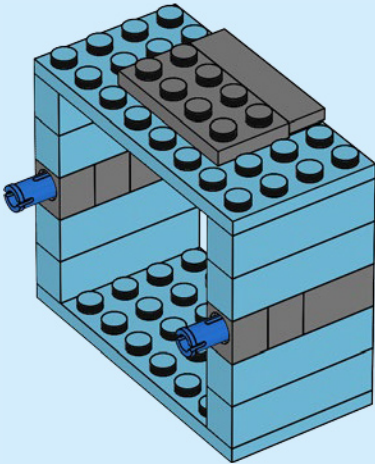


6





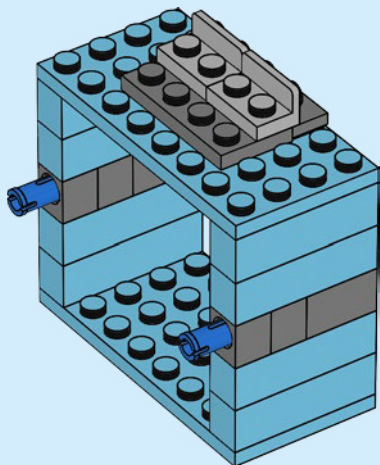
7



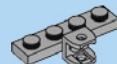


2x

8

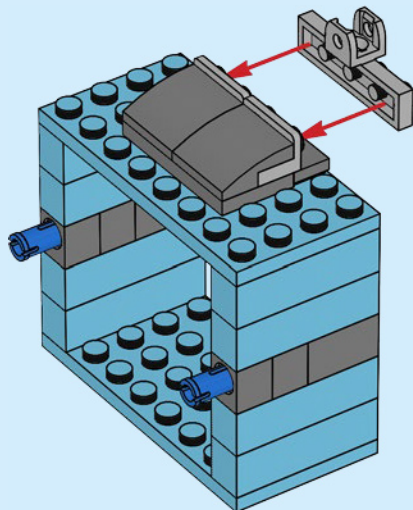


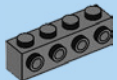
2x



1x

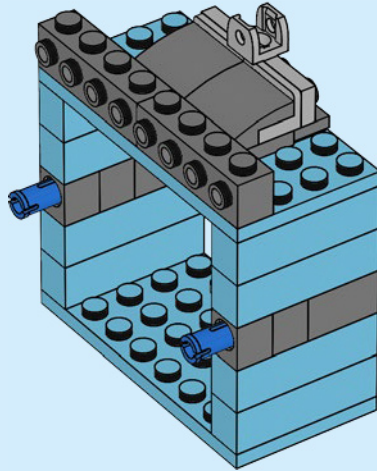
9

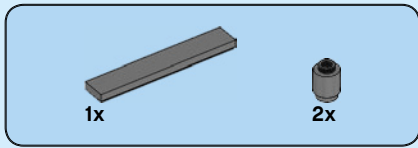




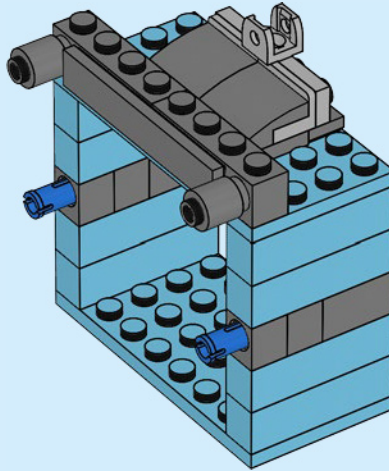
2x

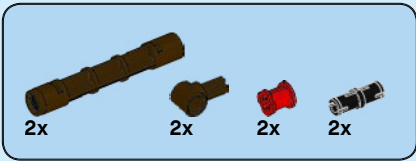
10



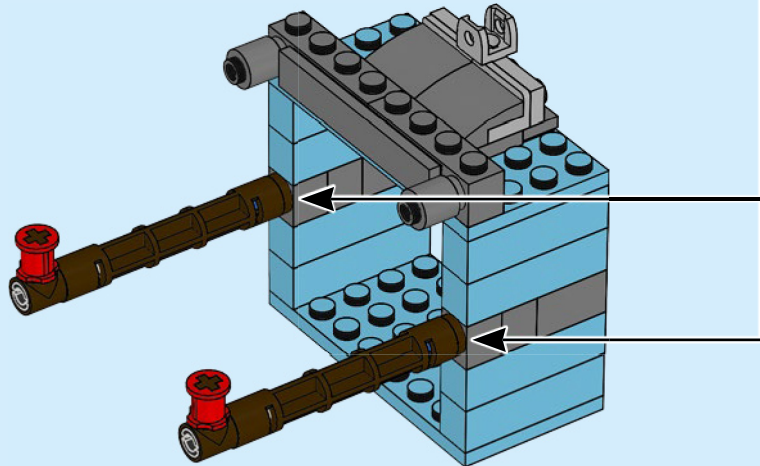
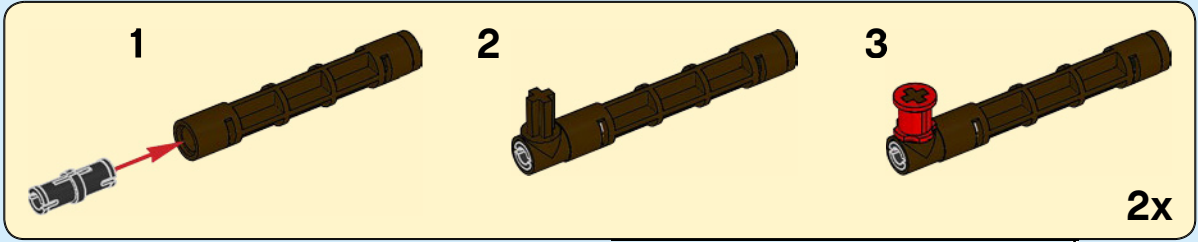


11

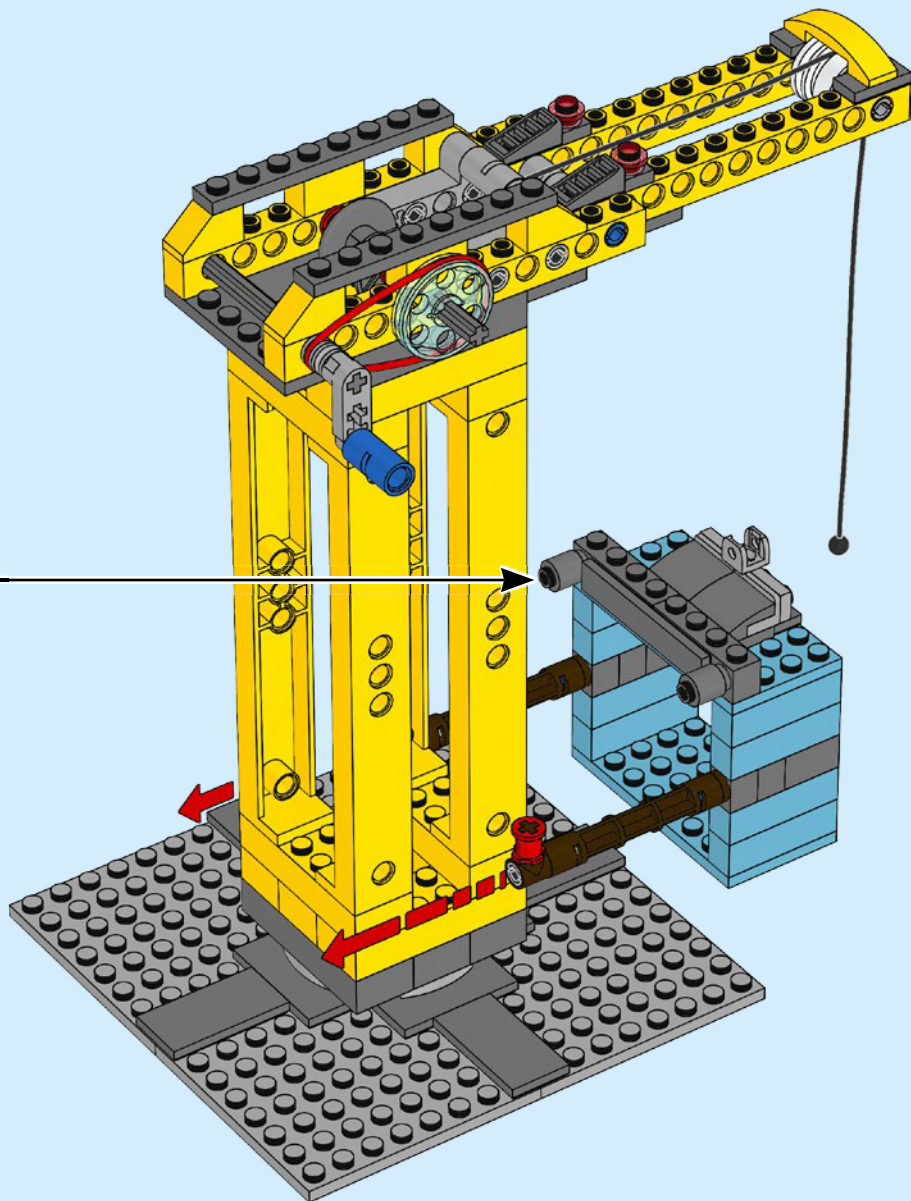




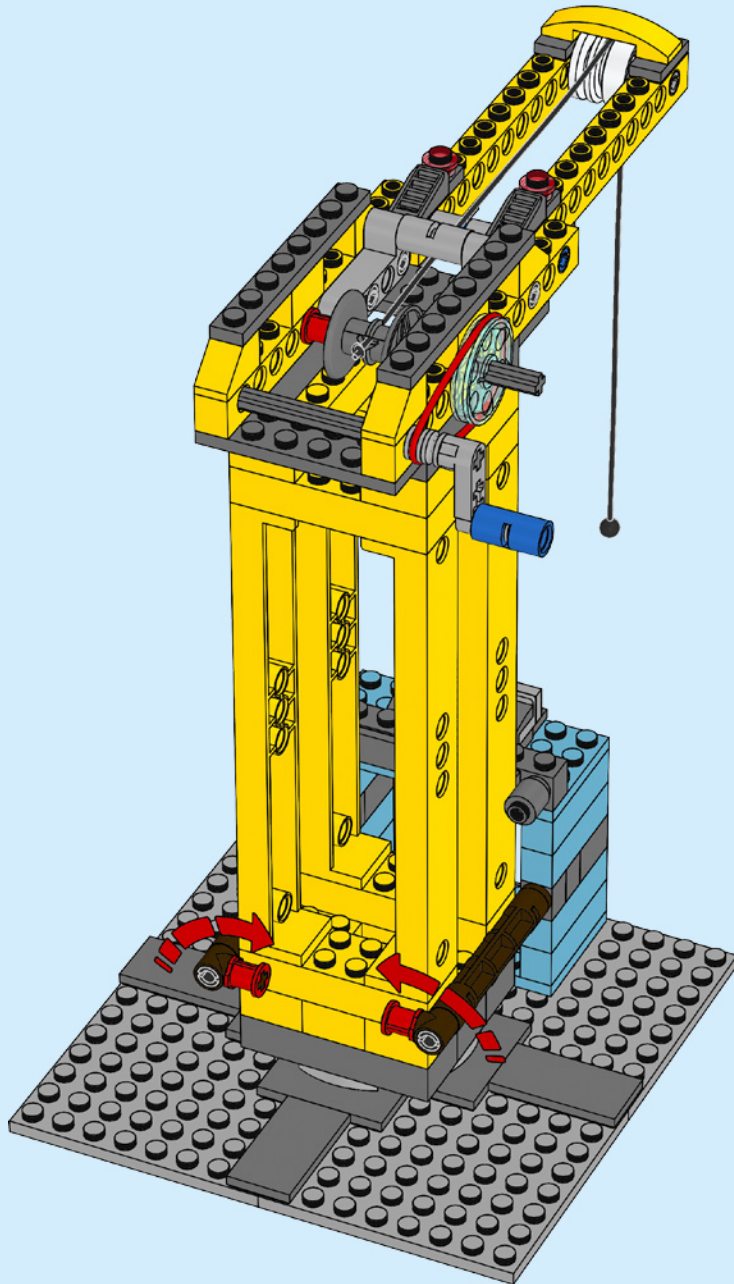
12



13

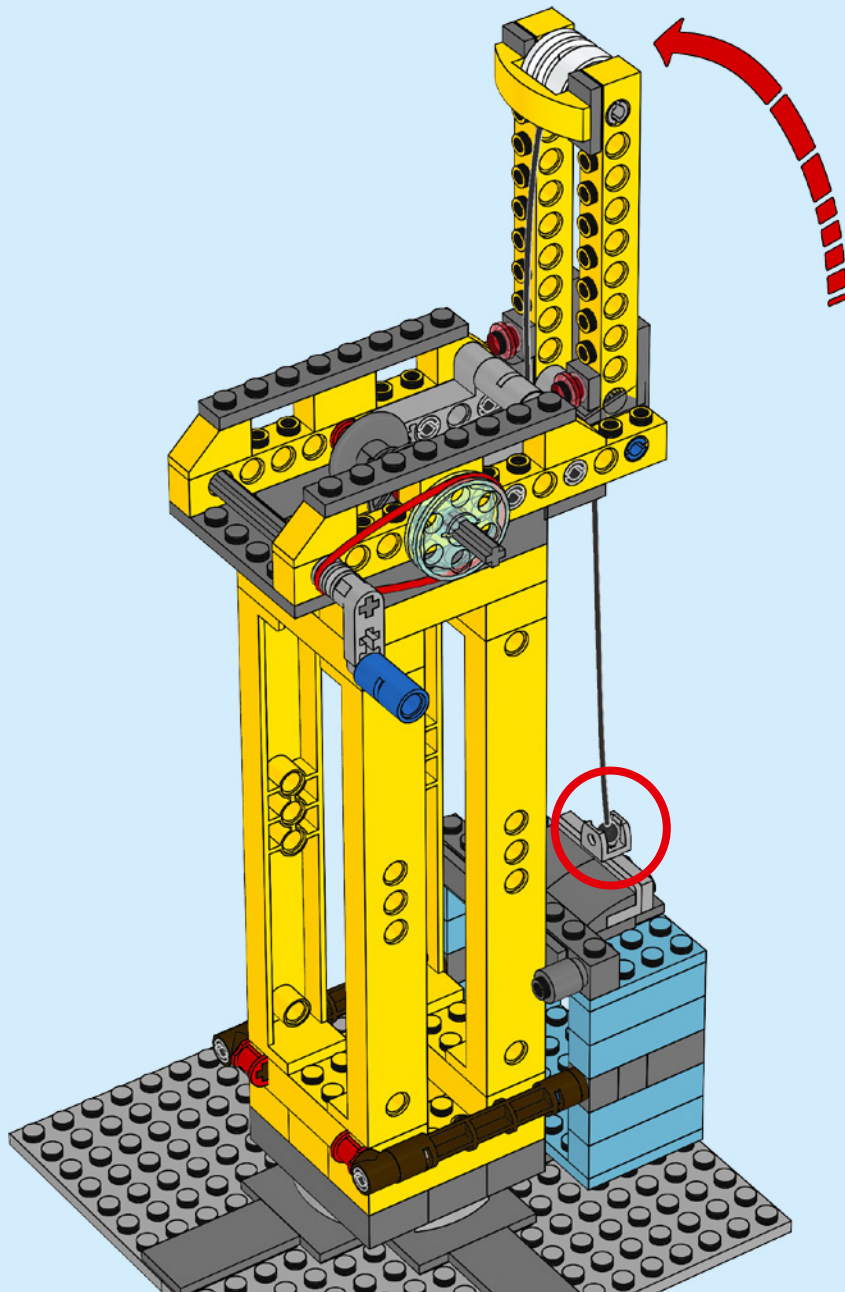


14

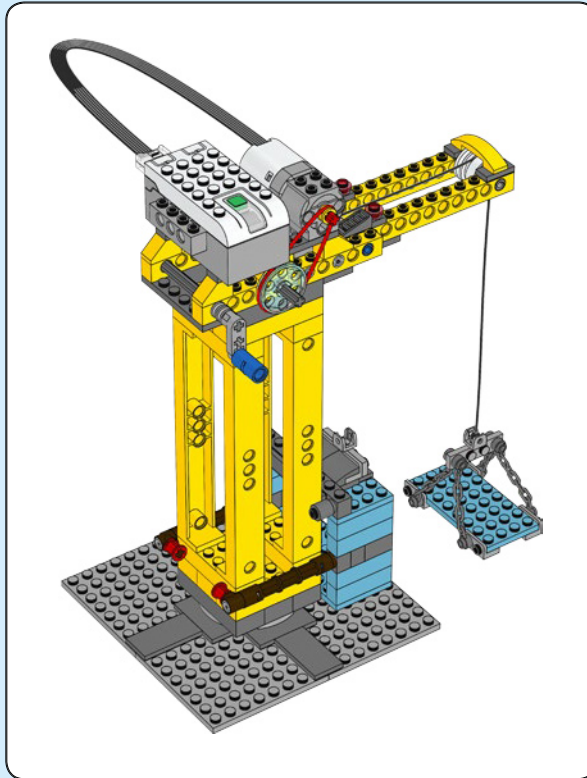


16

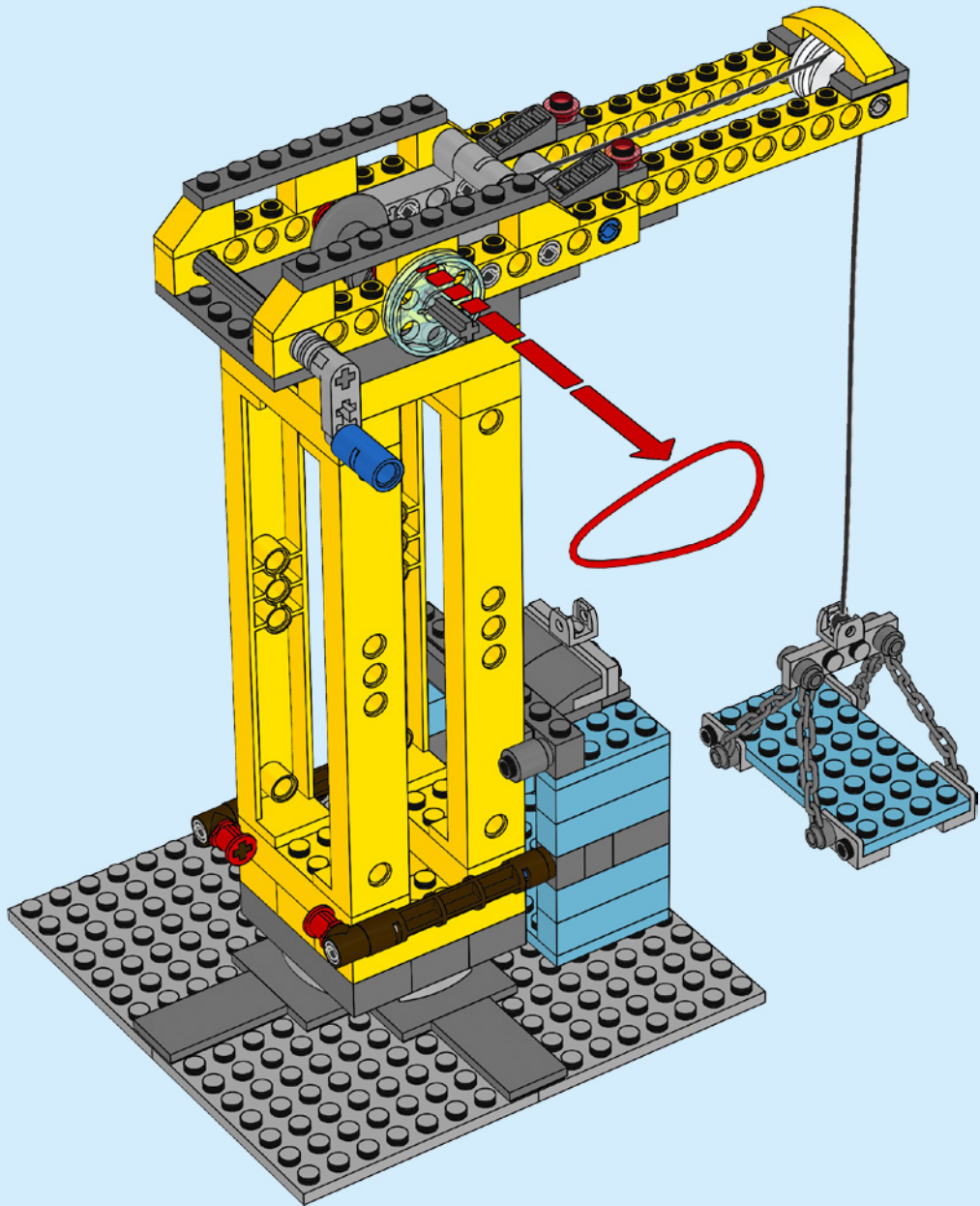
15

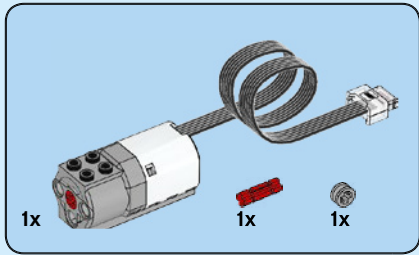


FIRST[®] LEGO[®] League 45810 + 45300

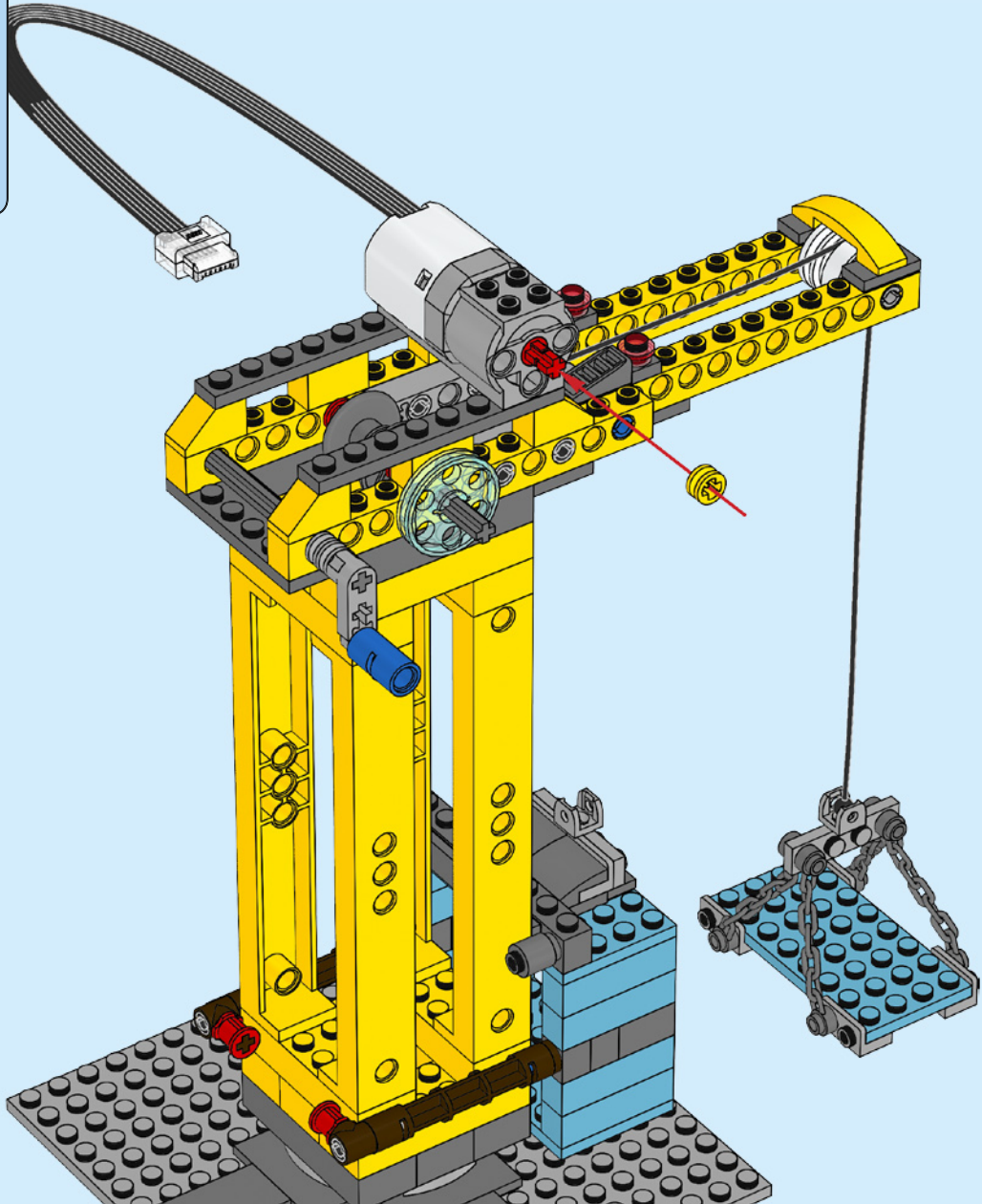


1





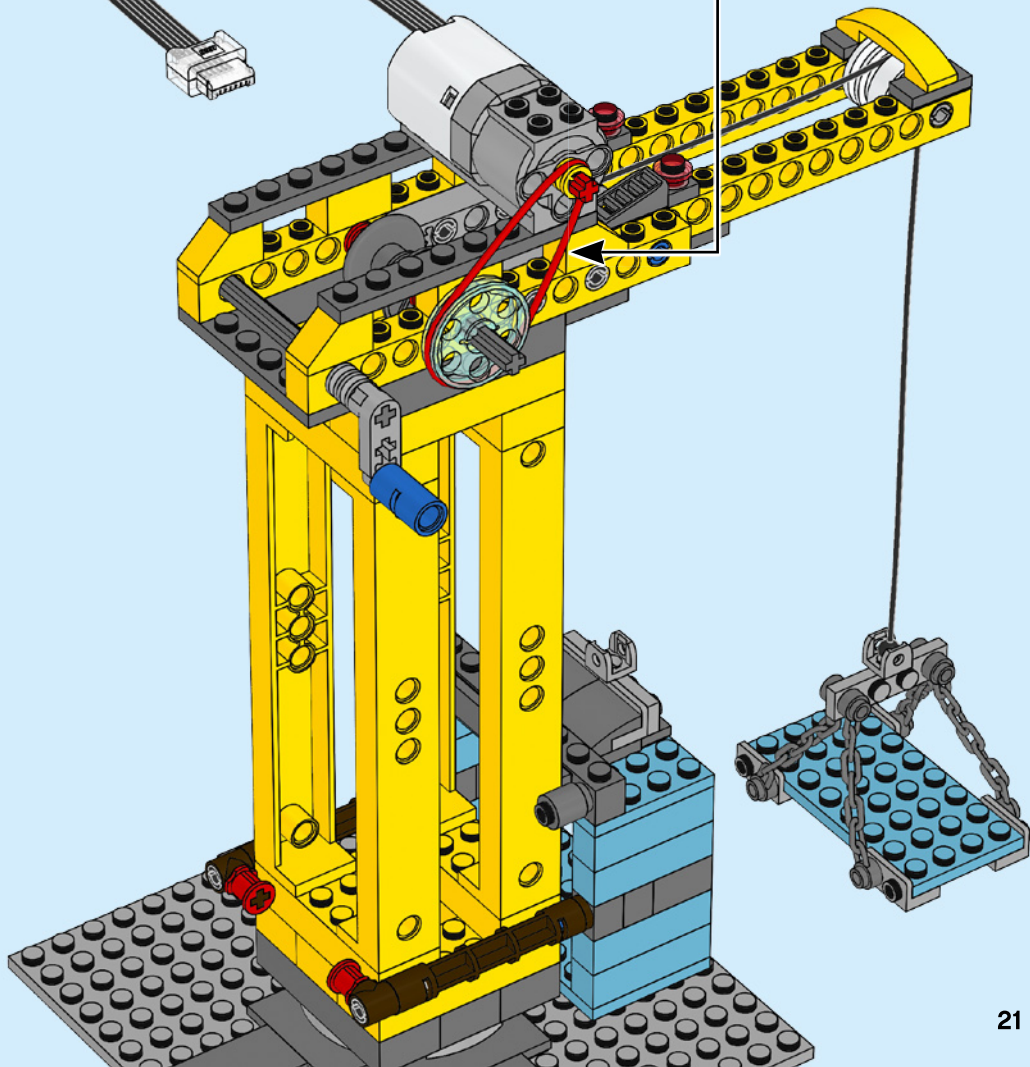
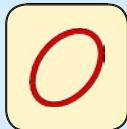
2

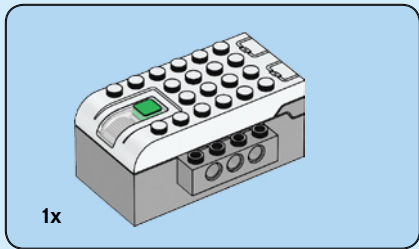




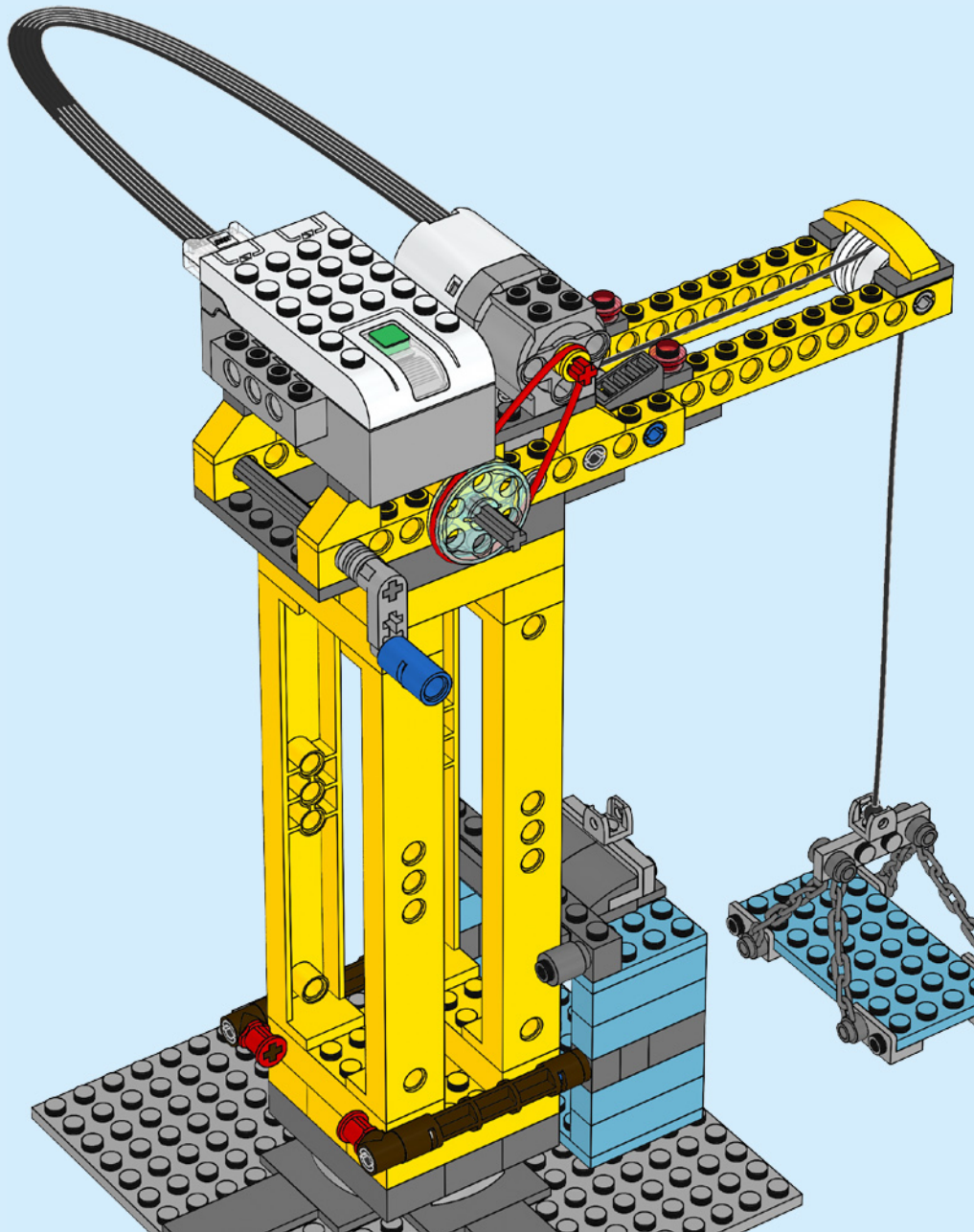
1x

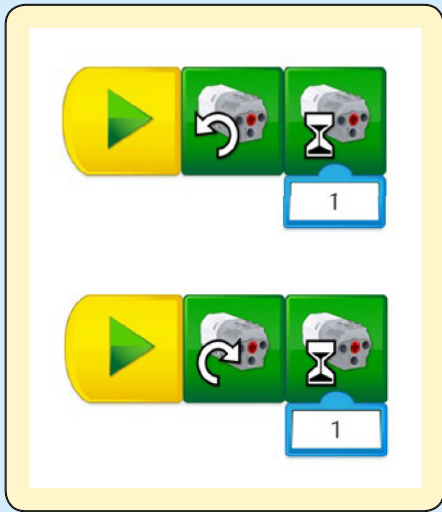
3





4





2x
306801

2x
300301

1x
6260609

1x
4611927

1x
4666579

2x
4185177

2x
4114306

1x
4529234

4x
4227155

1x
4544143

2x
306821

2x
300321

1x
6210497

2x
6173127

4x
6072694

4x
6262393

4x
4514553

2x
300424

4x
4121965

2x
300324

1x
4613151

8x
4181143

8x
4121715

1x
6132951

2x
6208450

1x
6096296

2x
4211573

2x
4211807

6x
6004990

1x
4563045

2x
4211610

2x
6273218

1x
6015349

4x
4166618

2x
4211090

2x
4210719

4x
4210639

2x
4540386

2x
4211088

2x
6092572

2x
6071261

2x
4211060

1x
4239891

1x
4211053

2x
4210725

2x
4211001

1x
4211065

8x
4560184

4x
4600437

1x
4210651

2x
4211100

2x
4211002

2x
4210875

2x
4499858

2x
4210998

2x
6134197

2x
6211448

2x
6060857

2x
4653970

8x
6036238

3x
6104130



Customer Service

Kundenservice

Service Consommateurs

Servicio Al Consumidor

LEGO.com/service or dial



00800 5346 5555 :



1-800-422-5346 :



LEGO and the LEGO logo are trademarks of the LEGO Group. ©2019 The LEGO Group.

FIRST® is a registered trademark of For Inspiration and Recognition of Science and Technology (FIRST). LEGO® is a registered trademark of the LEGO Group. FIRST® LEGO® League Jr. and BOOMTOWN BUILD™ are jointly held trademarks of FIRST and the LEGO Group.

©2019 FIRST and the LEGO Group. All rights reserved. 6289519