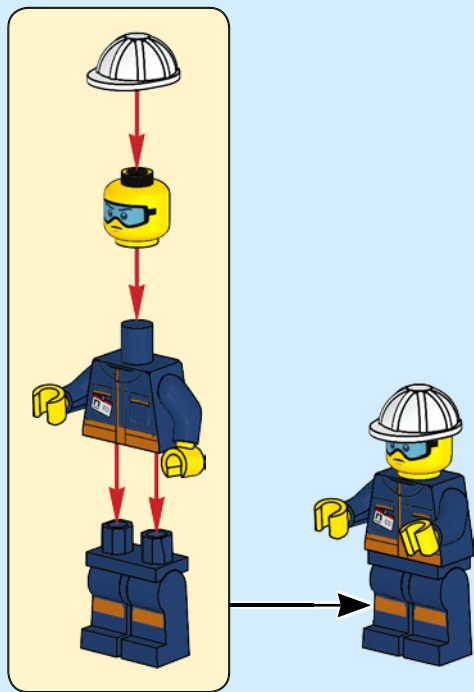
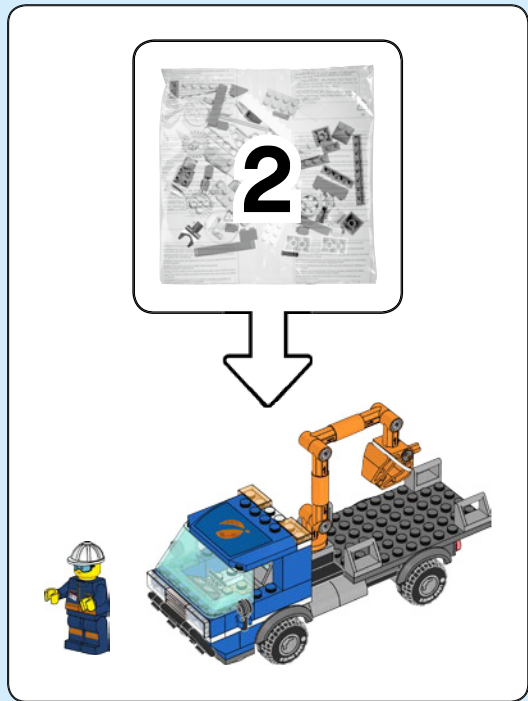


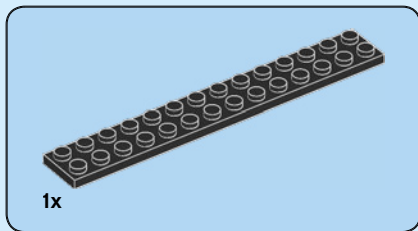
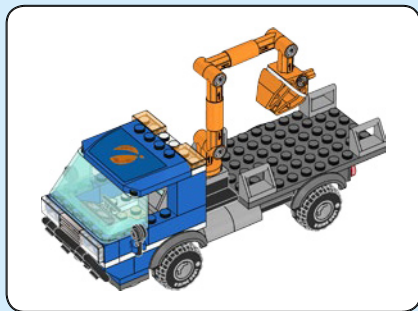


# CITY

60229

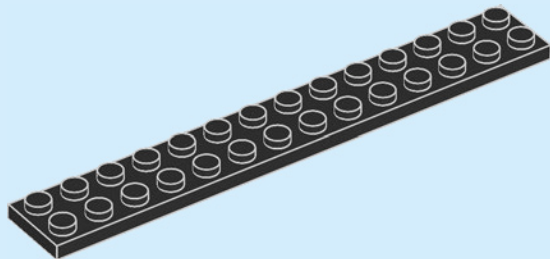






1x

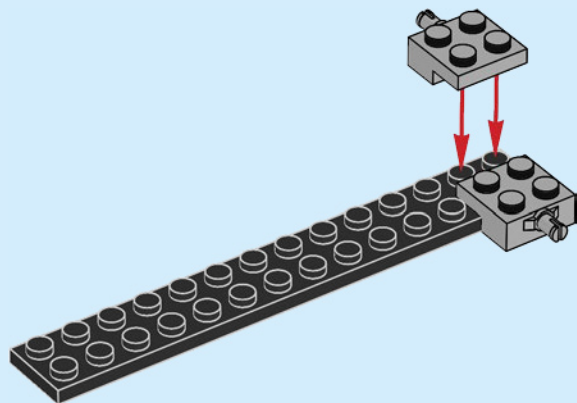
1



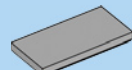


2x

2

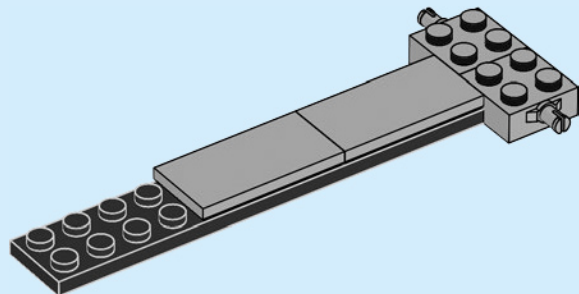


4



2x

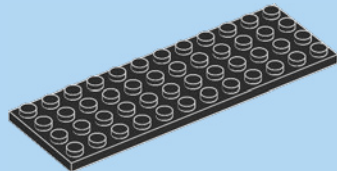
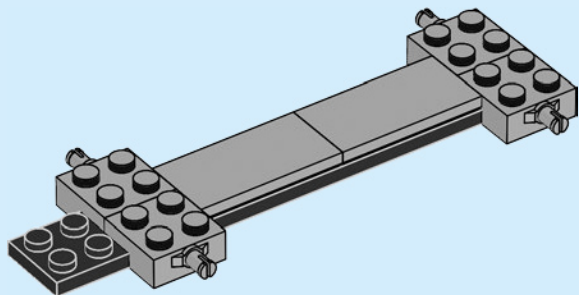
3





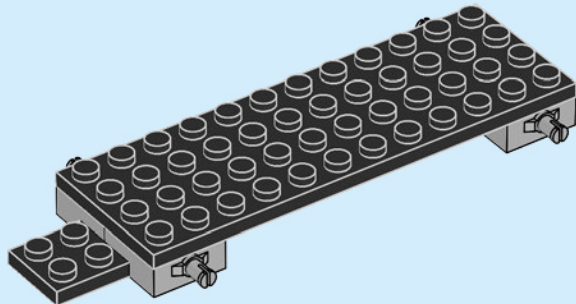
2x

4



1x

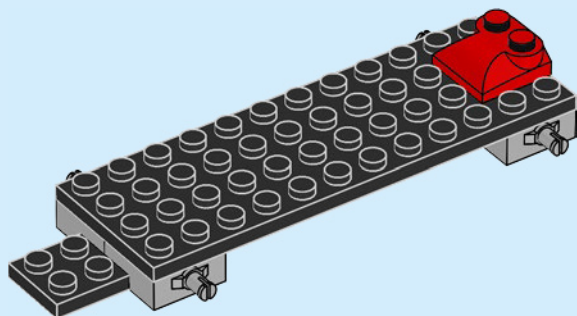
5



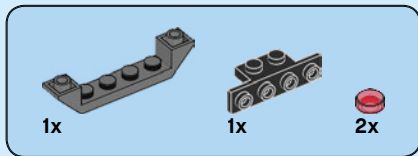


1x

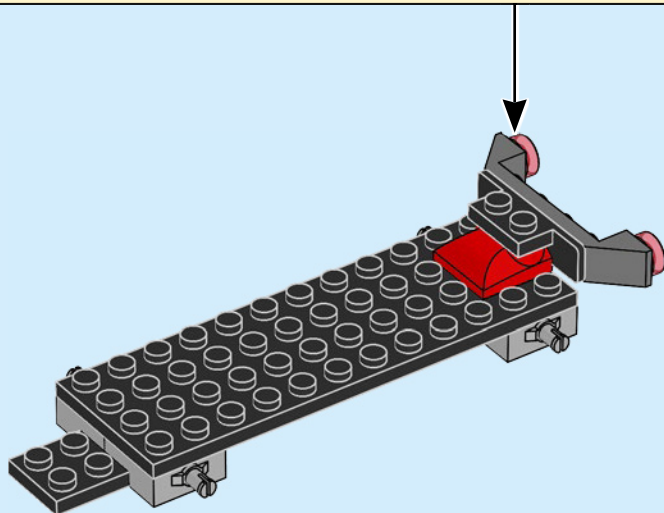
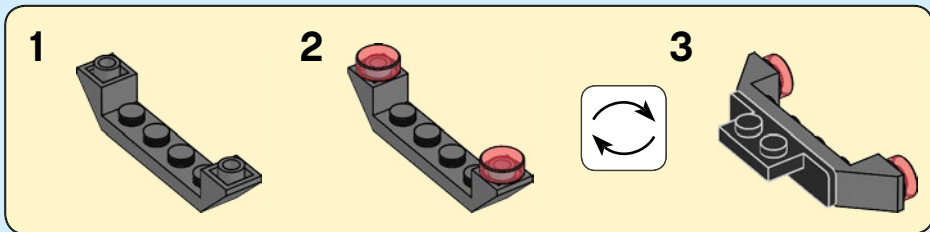
6



6



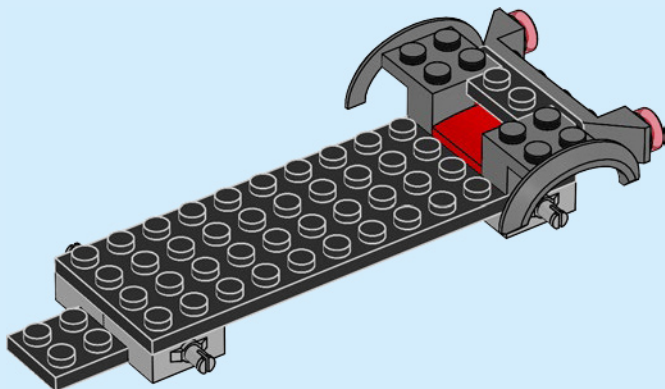
7





2x

8



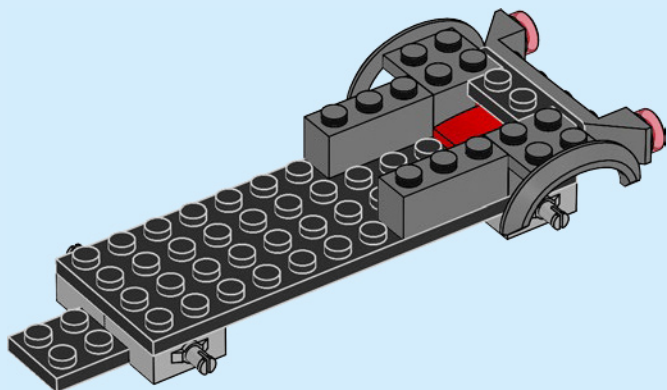
8





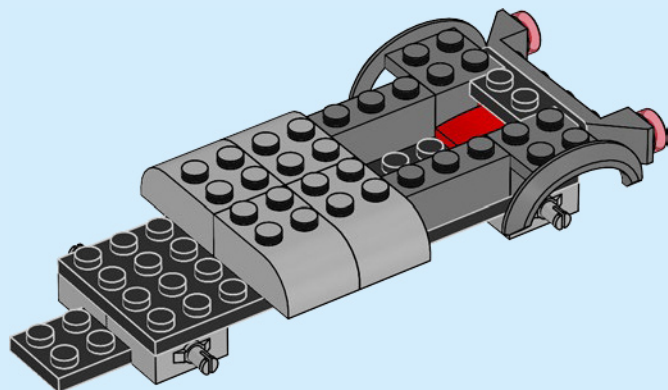
2x

9



4x

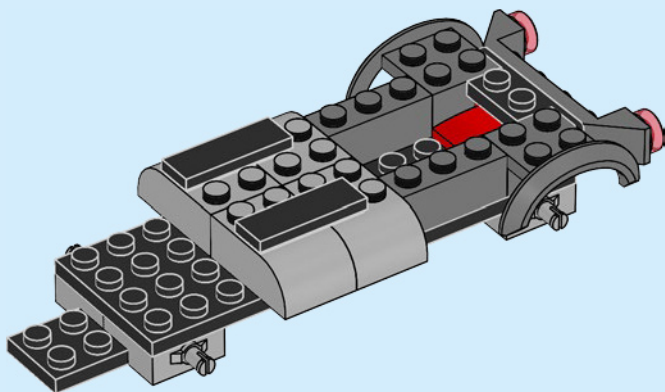
10

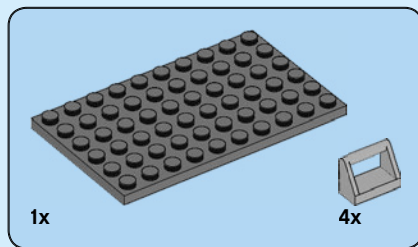




2x

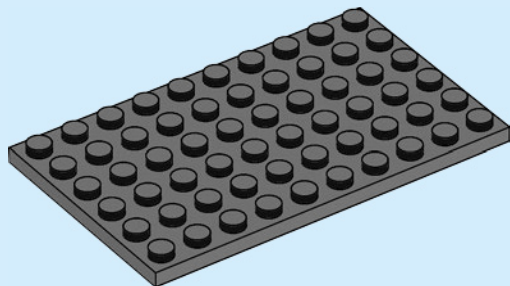
11



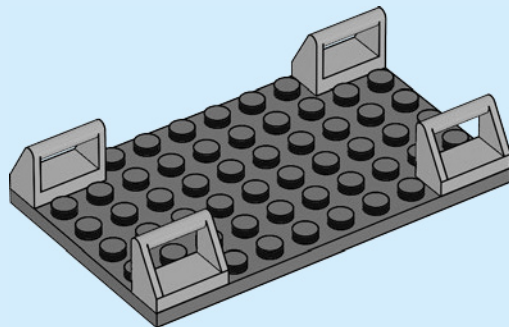


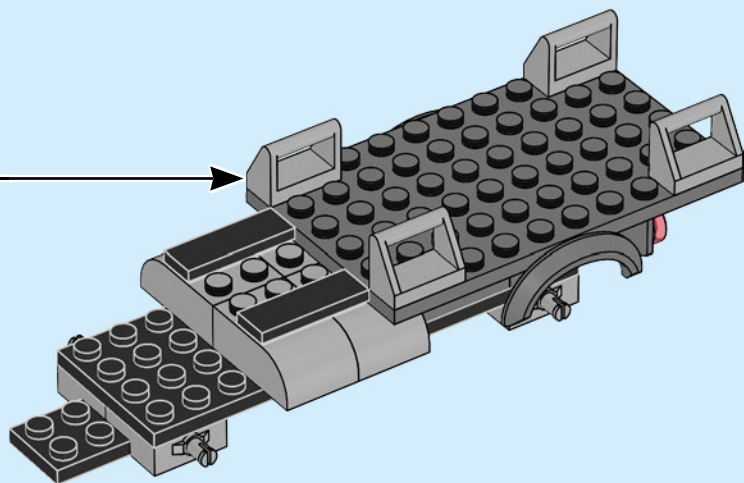
12

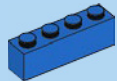
1



2

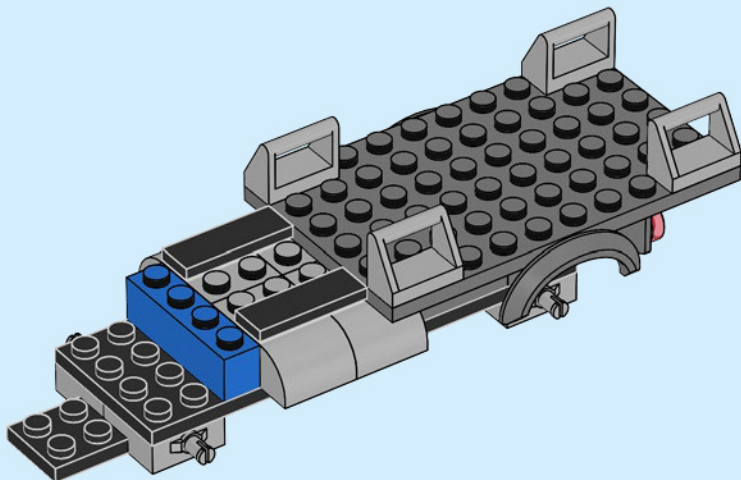


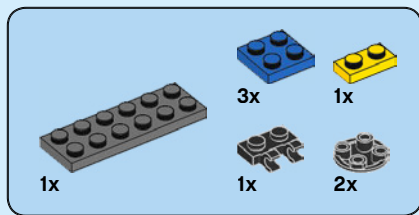




1x

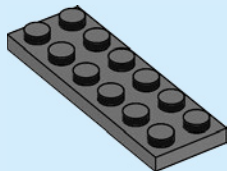
13



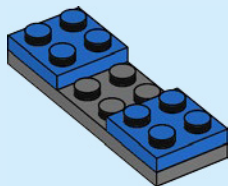


14

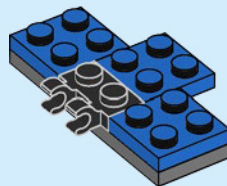
1

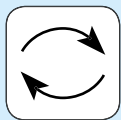


2

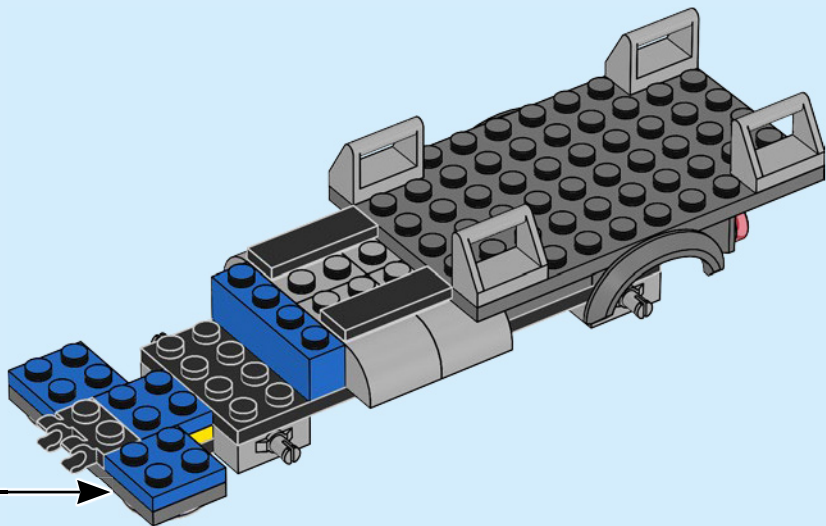
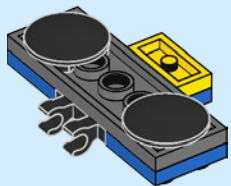


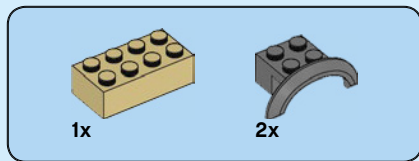
3



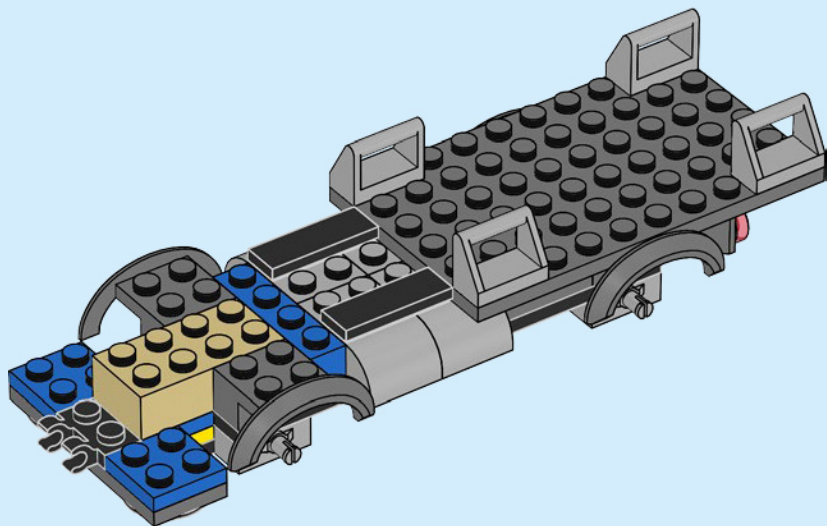


4





15



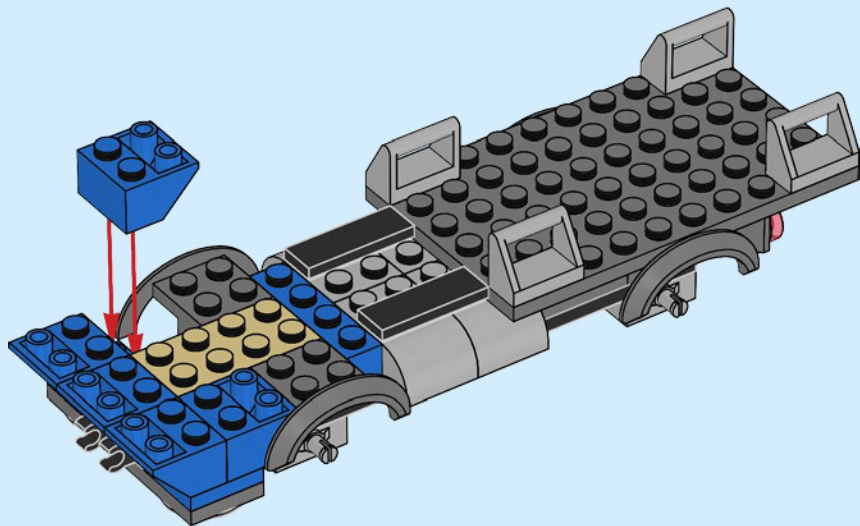
16



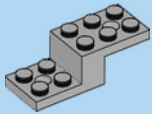


5x

16

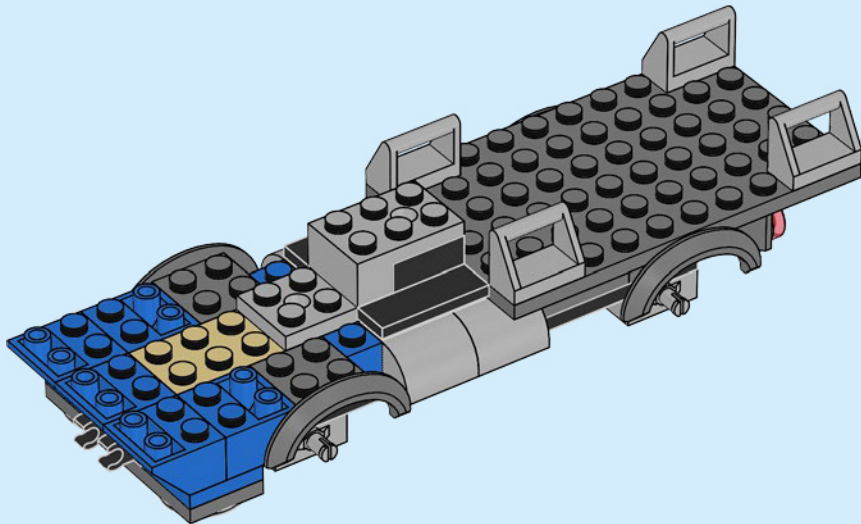


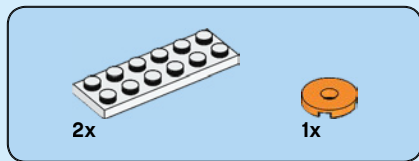




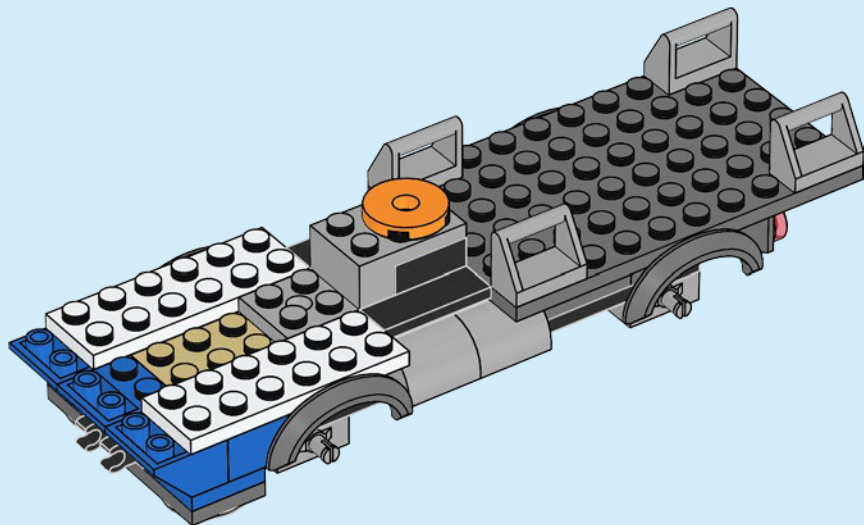
1x

18





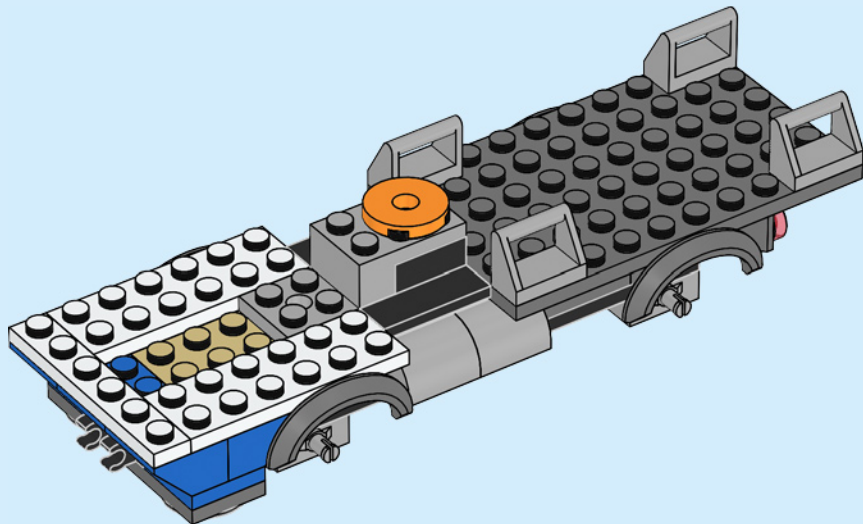
19





1x

20



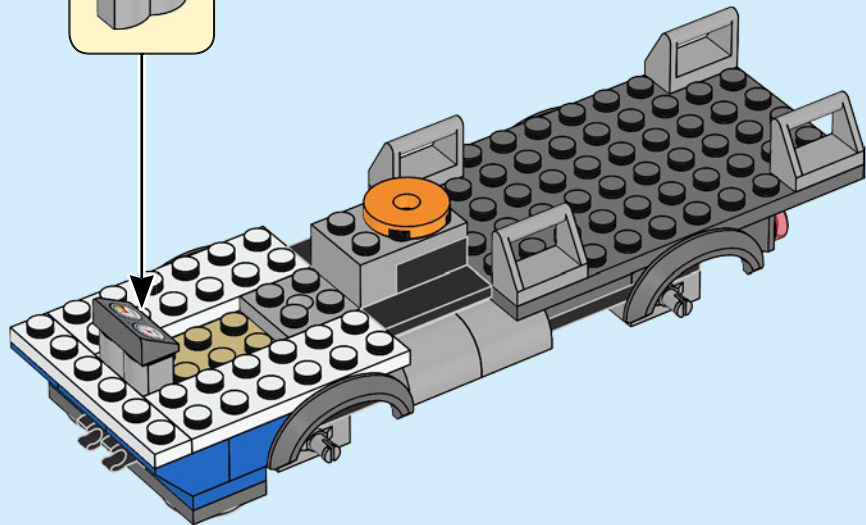
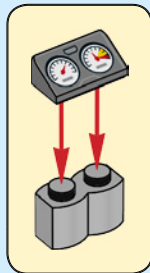


1x



1x

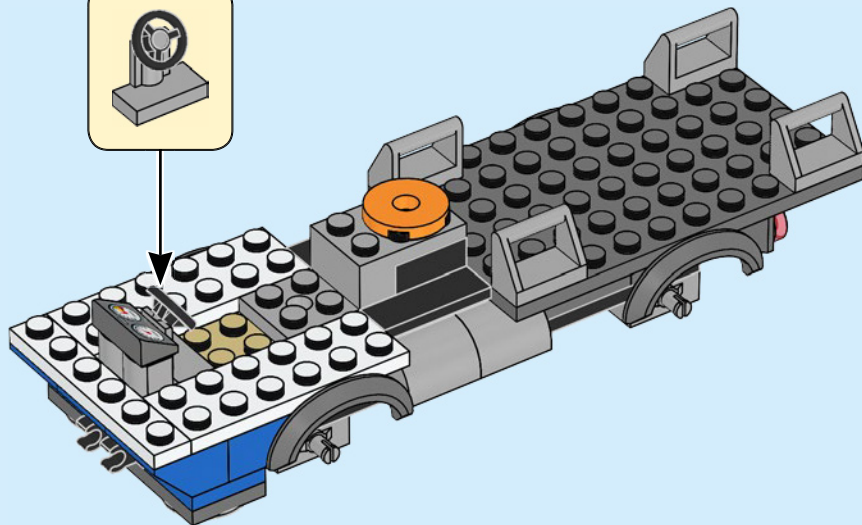
21

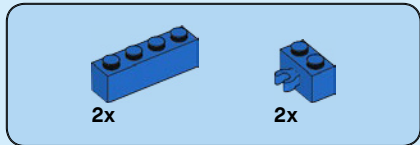




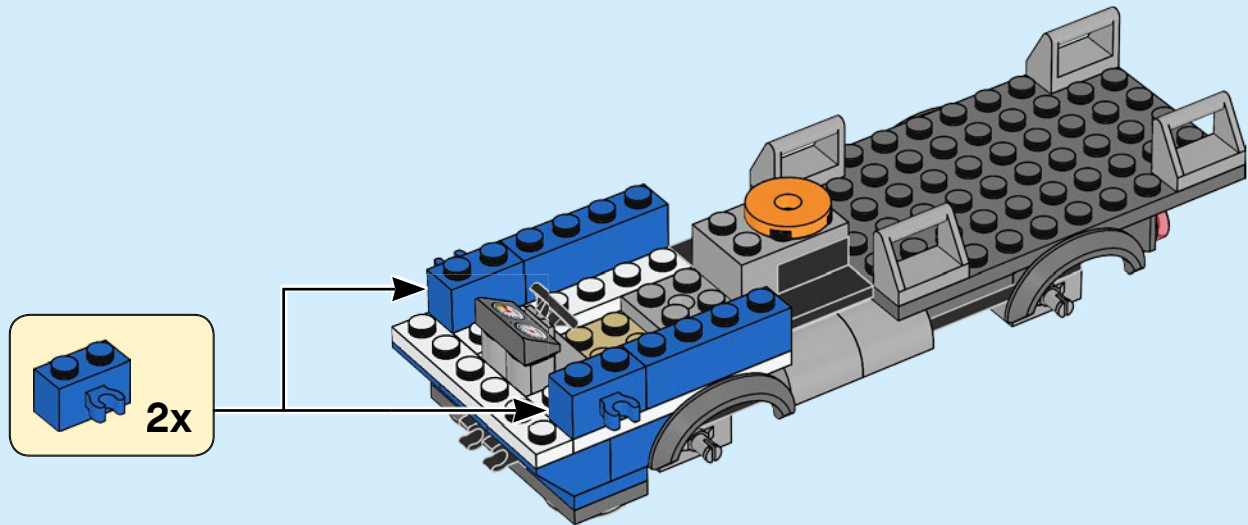
1x

22





23



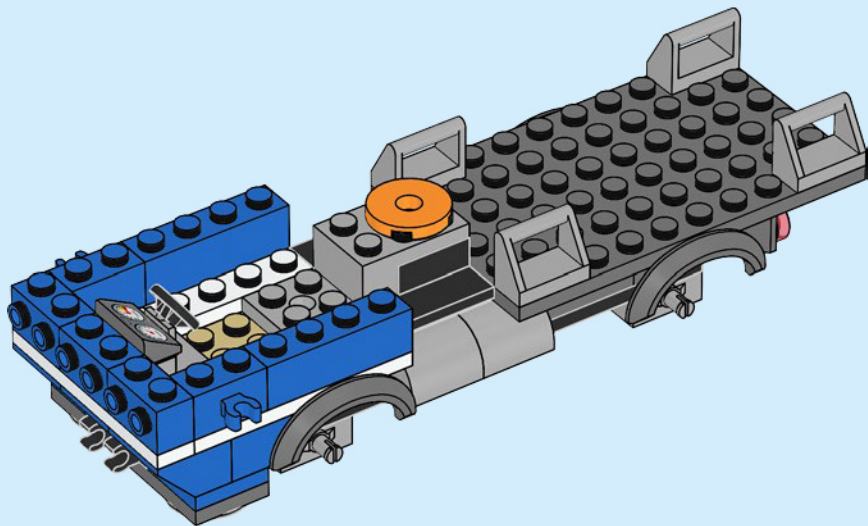
24

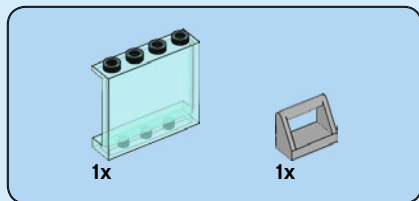




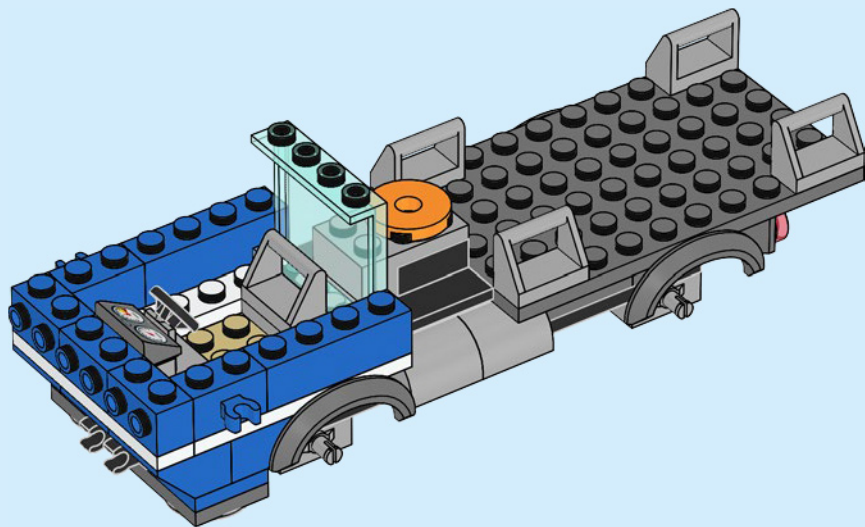
3x

24

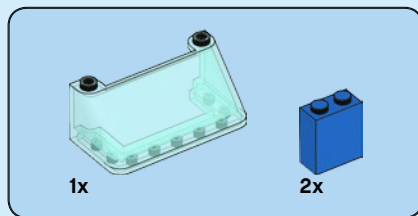




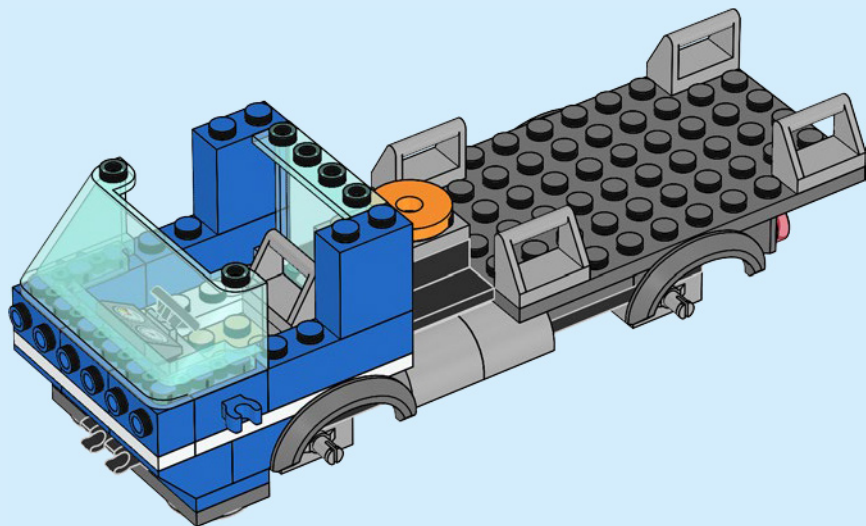
25



26



26



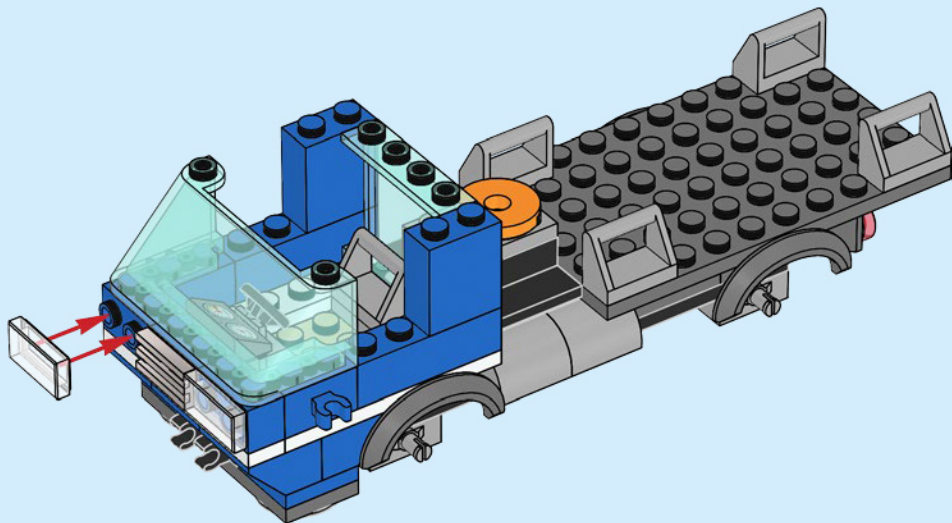


1x

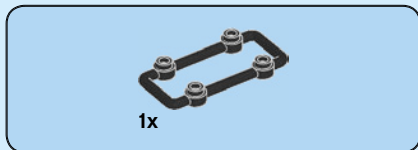


2x

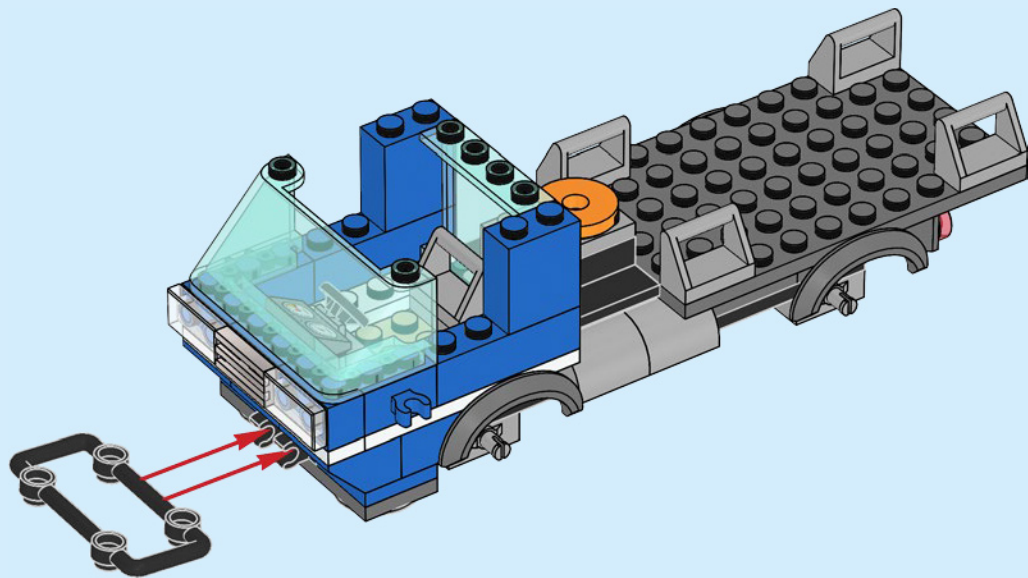
27

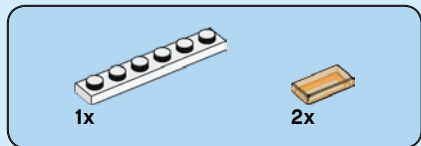


28

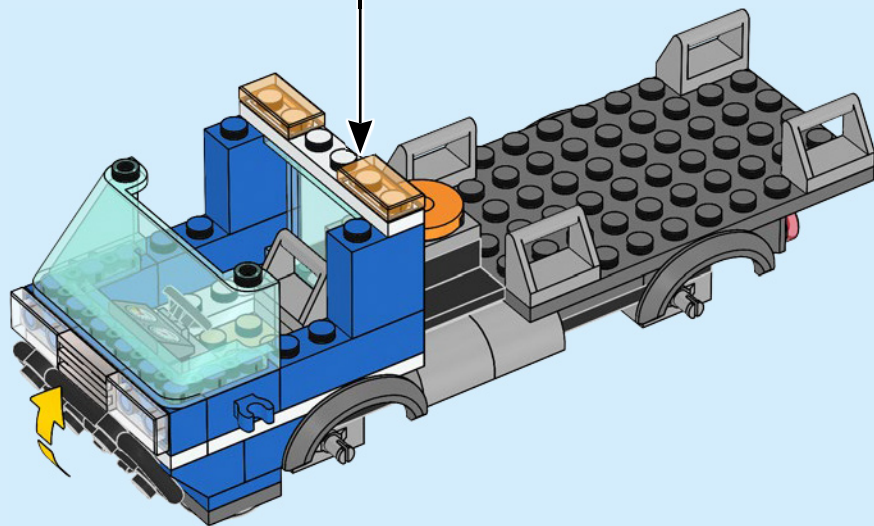
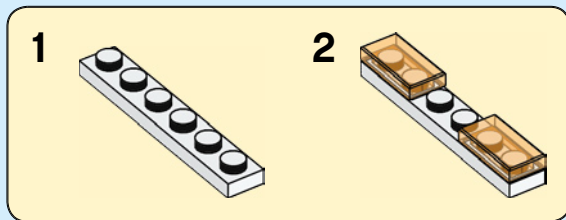


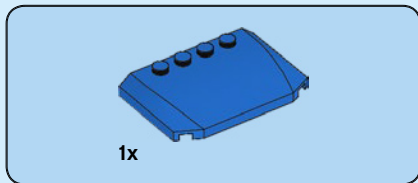
28



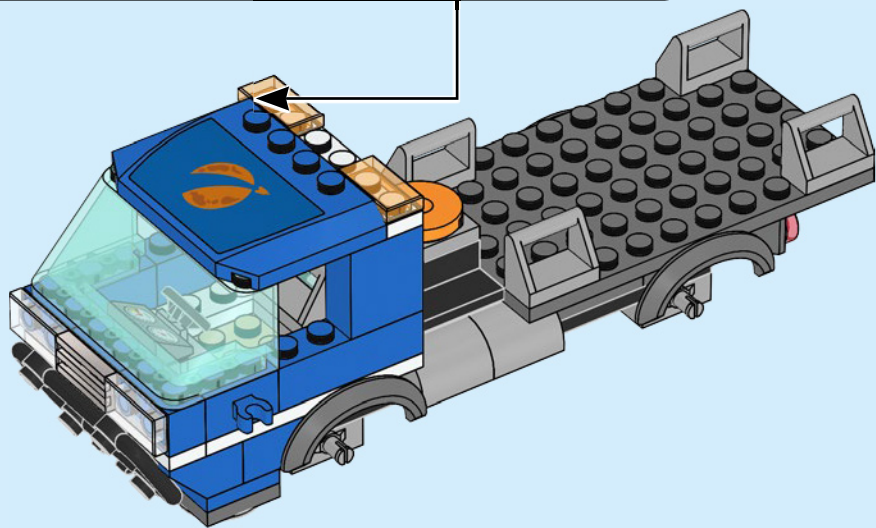
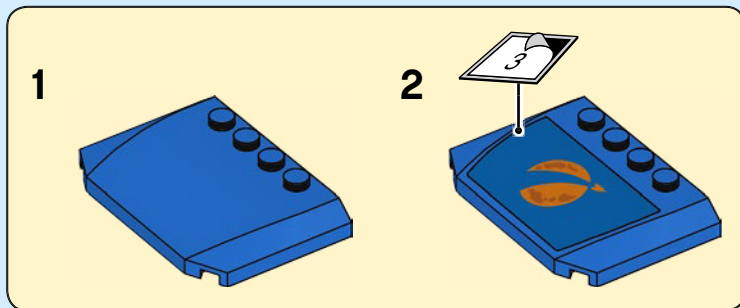


29





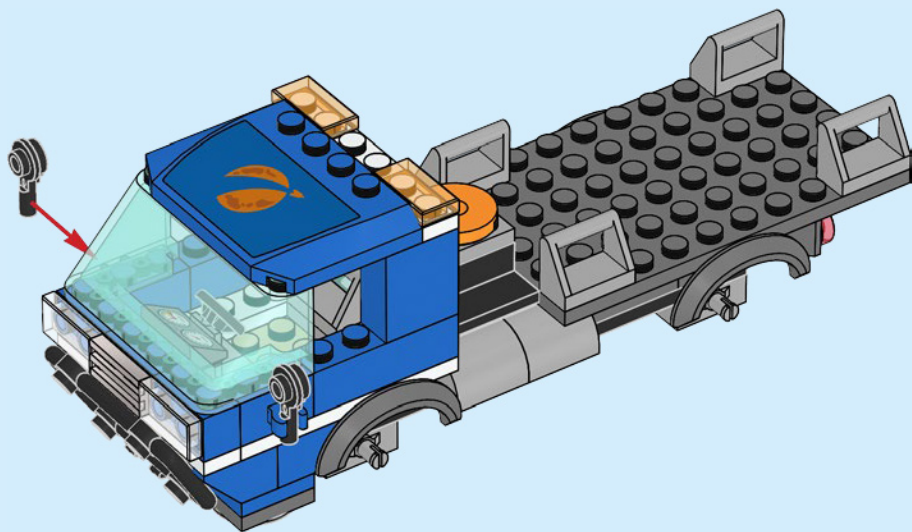
30





2x

# 31



32

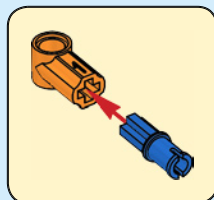




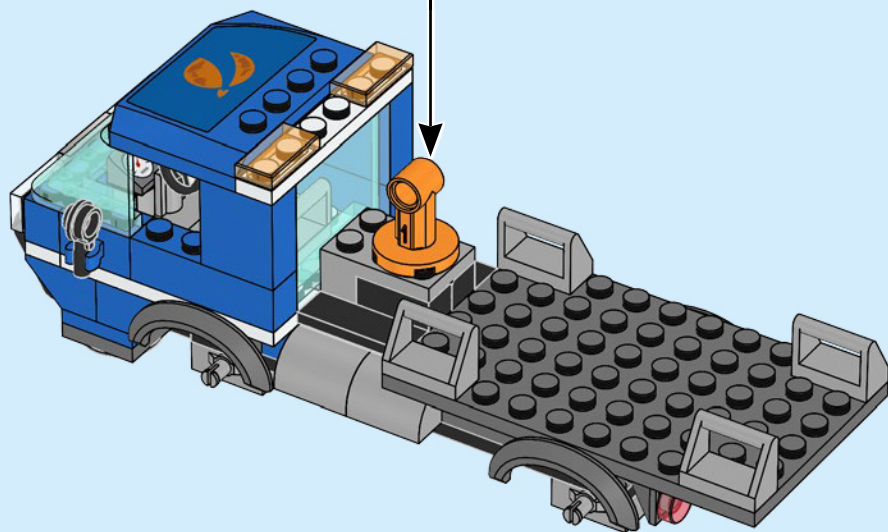
1x

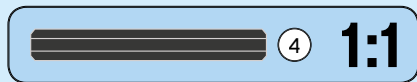
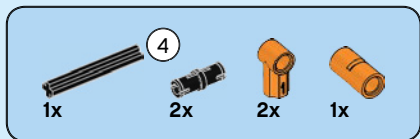


1x

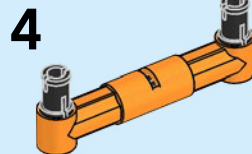
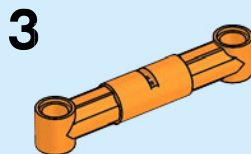
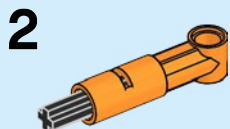
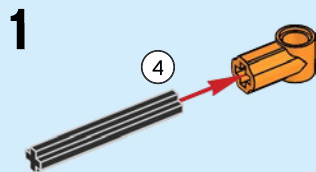


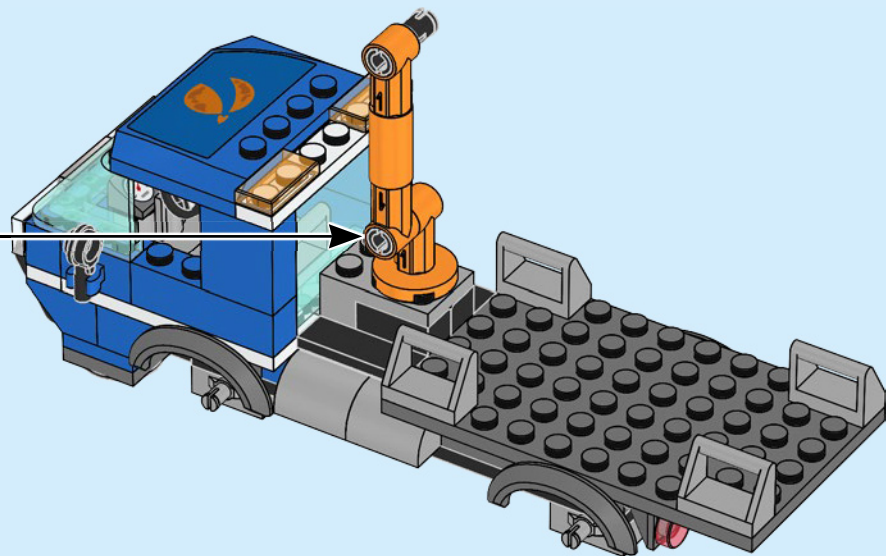
# 32

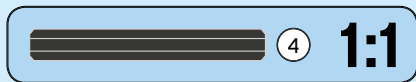
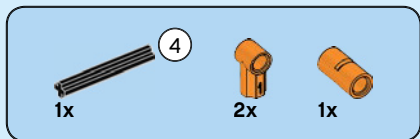




33

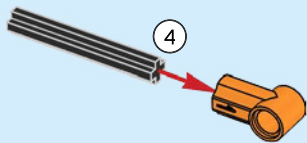




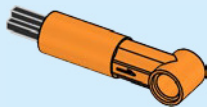


34

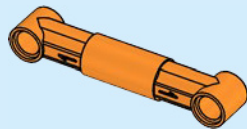
1

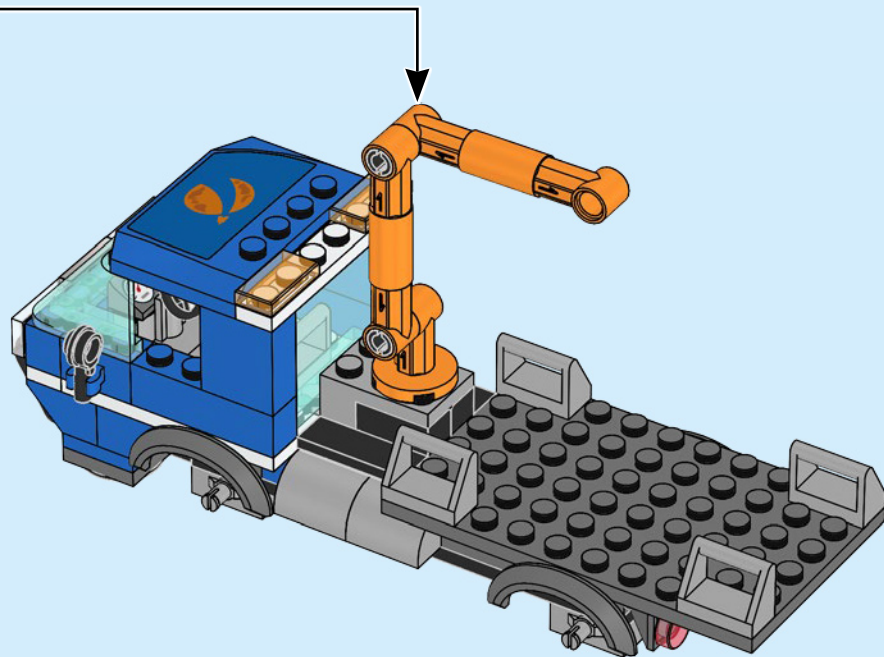


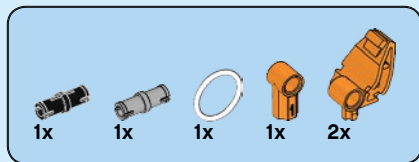
2



3

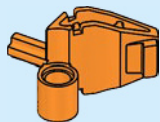




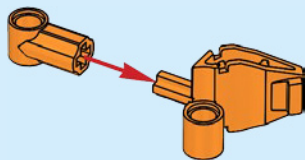


35

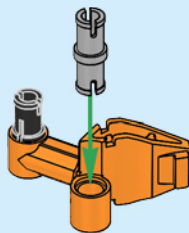
1



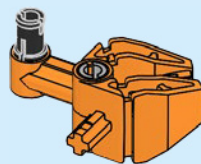
2



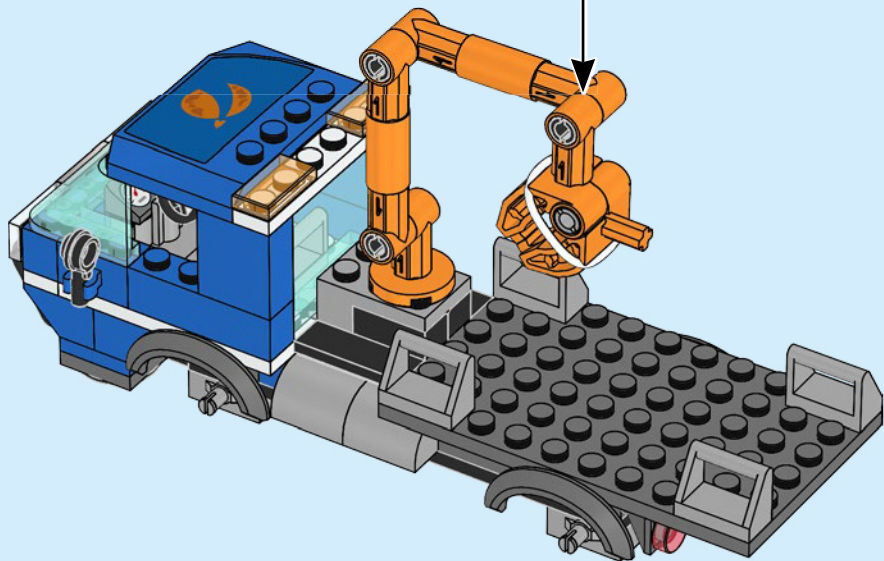
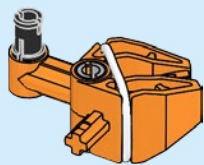
3

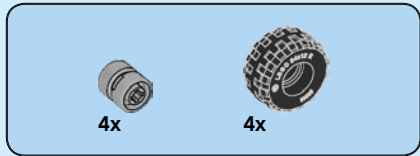


4

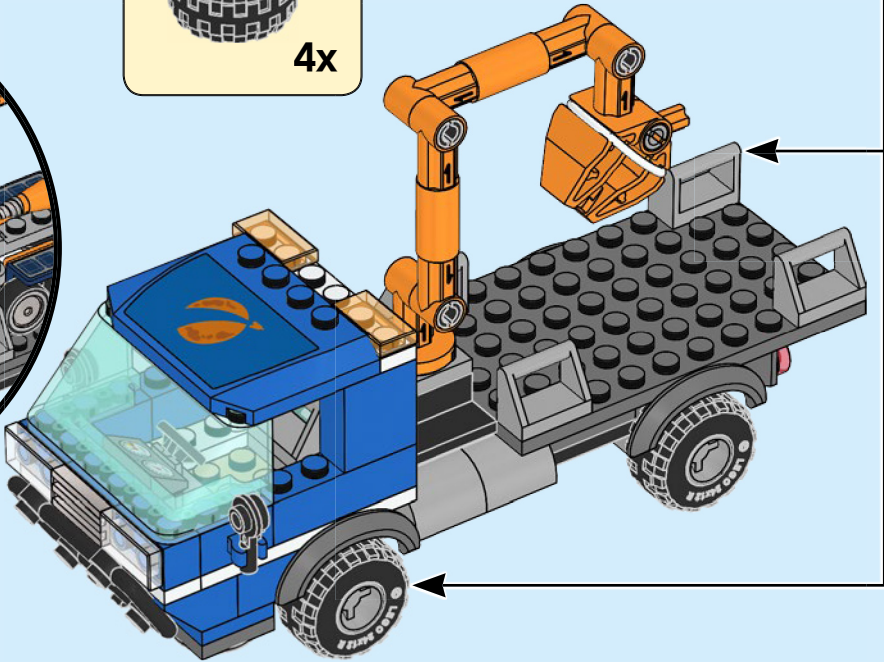
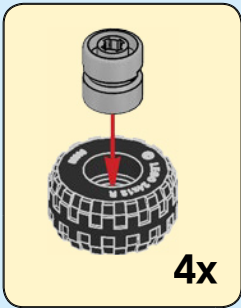
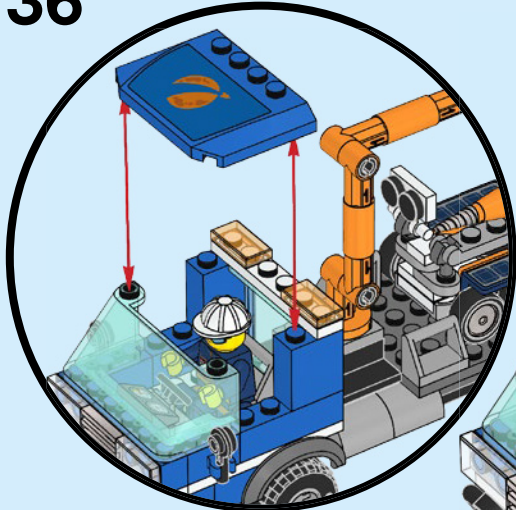


5





36



LEGO and the LEGO logo are trademarks of the/son des marques de commerce du/son marcas registradas de LEGO Group. ©2019 The LEGO Group. 6282444  
NASA Insignia and Identifiers provided by and used with permission of NASA.