

**LEGO**

# NINJAGO

Masters of Spinjitzu

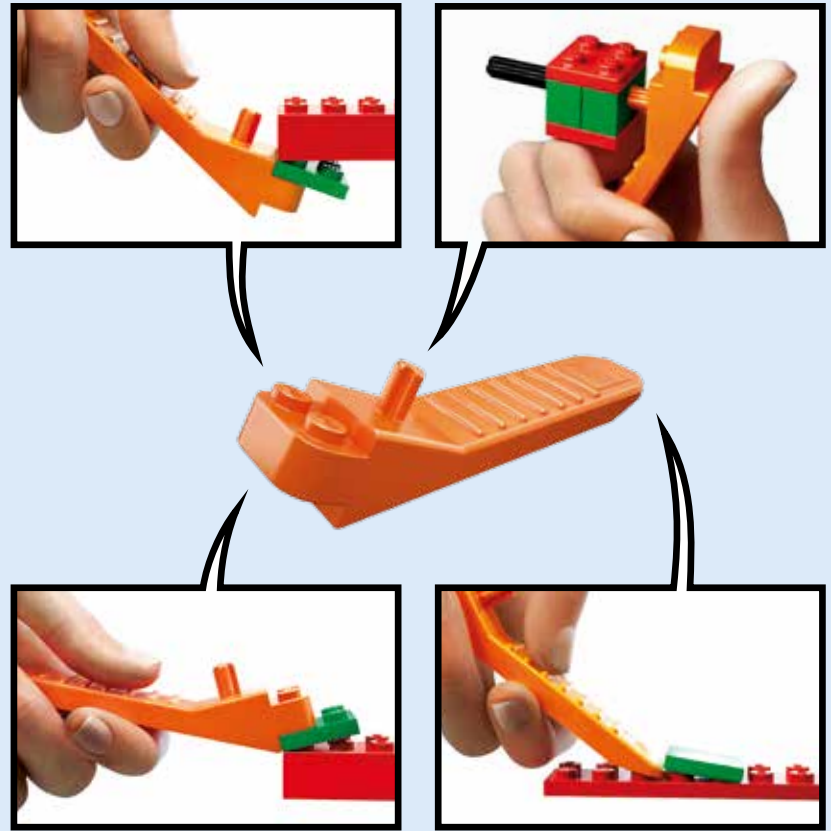


70590

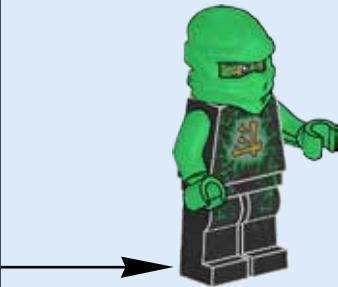
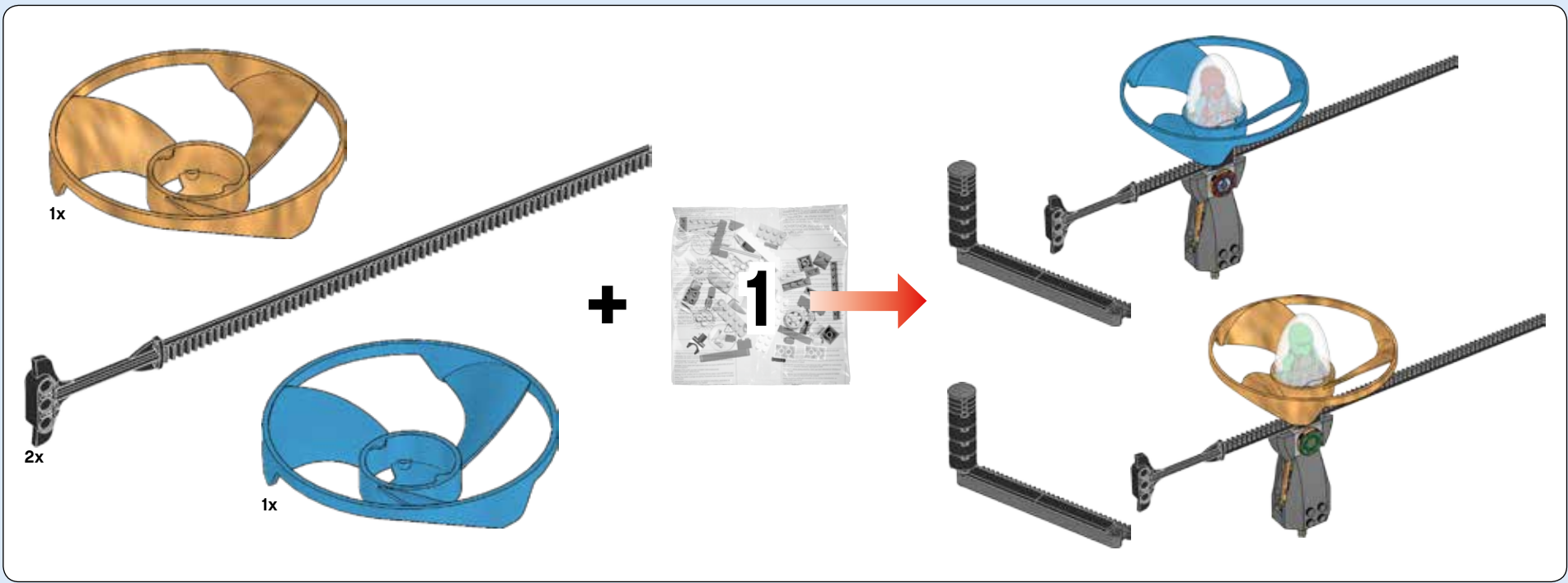


[LEGO.com/NINJAGO](http://LEGO.com/NINJAGO)





[LEGO.com/brickseparator](https://LEGO.com/brickseparator)





1x

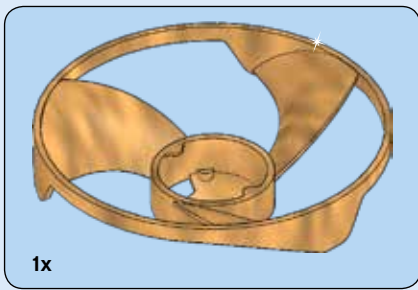
1



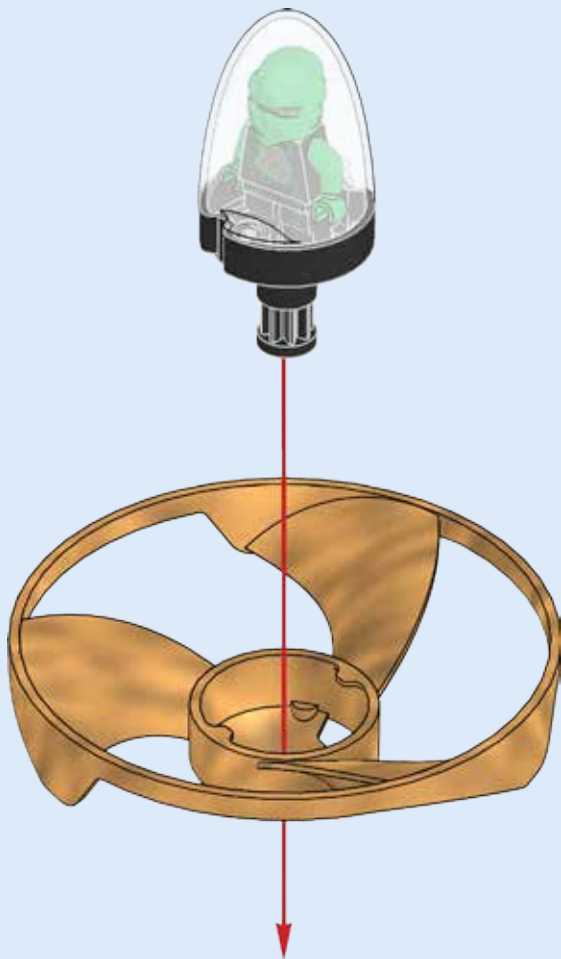
1x

2

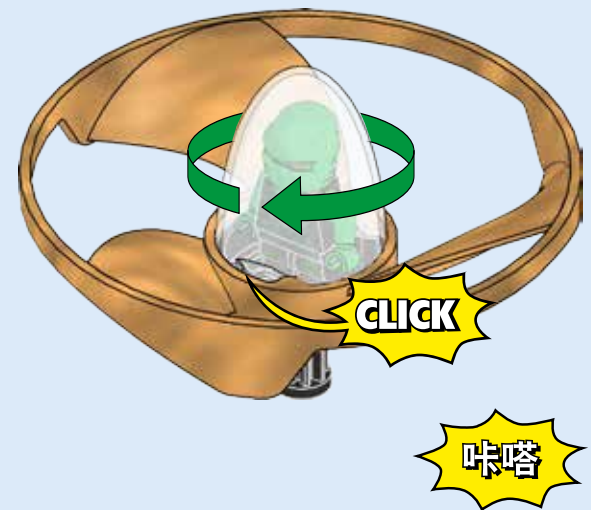




3



4





1x

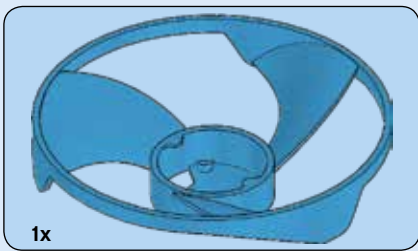
1



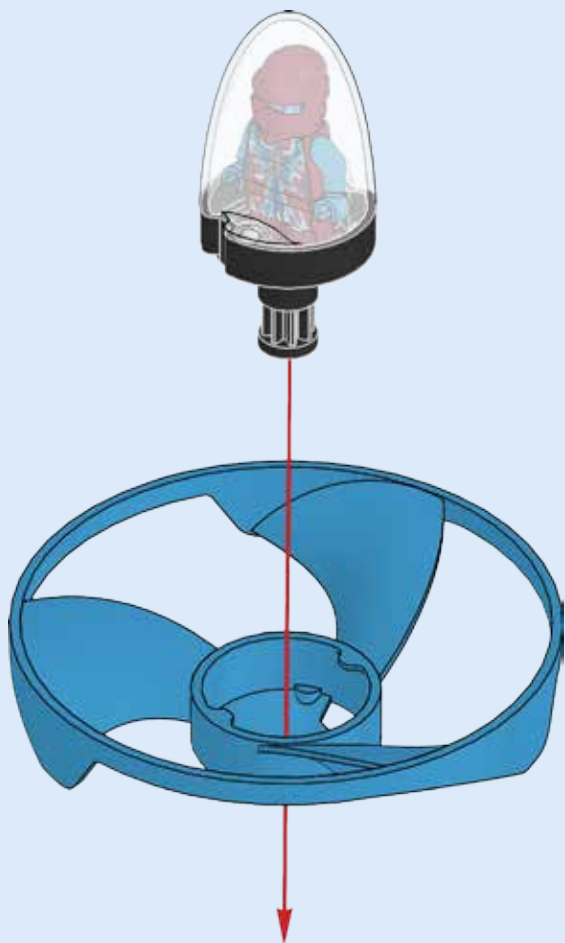
1x

2



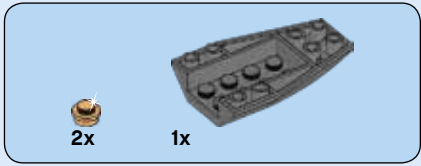


3

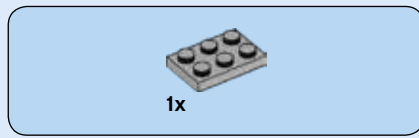
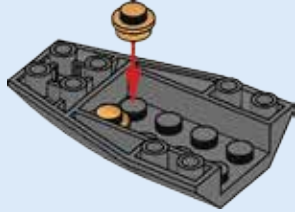


4

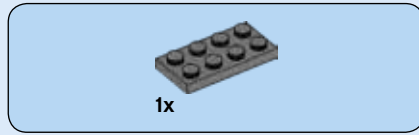
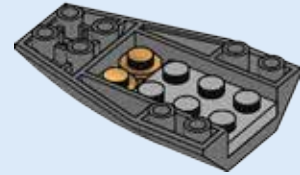




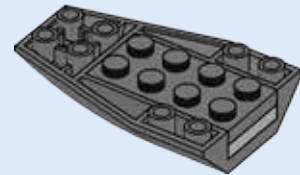
1



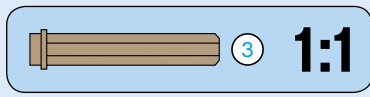
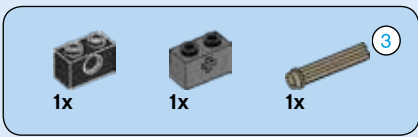
2



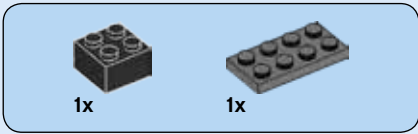
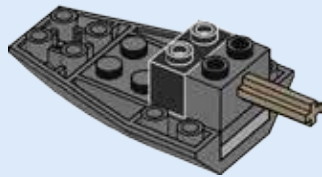
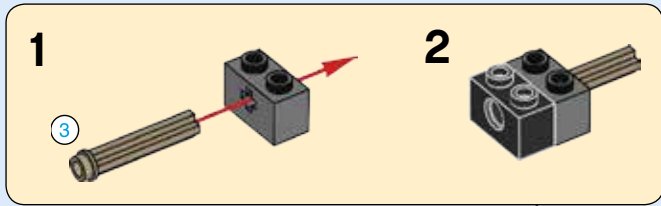
3



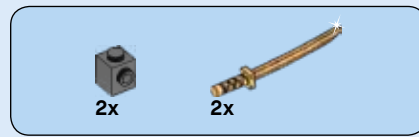
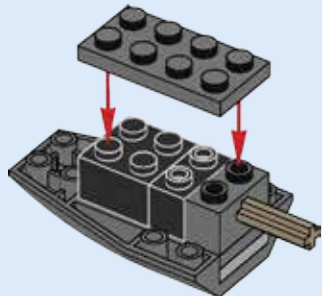




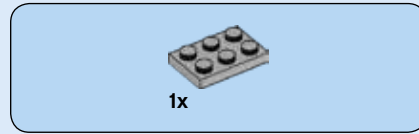
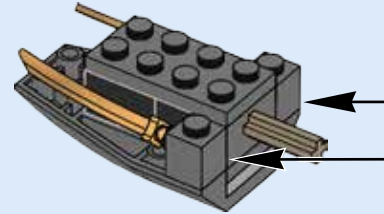
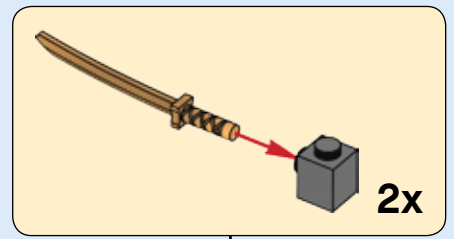
4



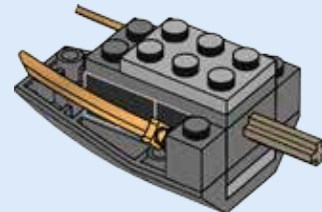
5

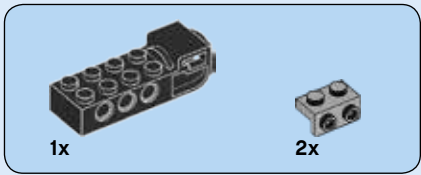


6

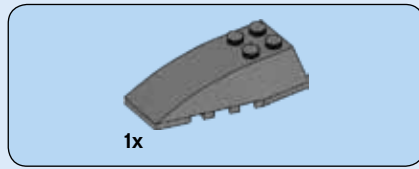
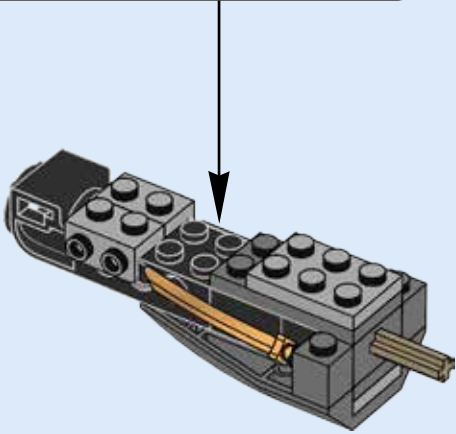
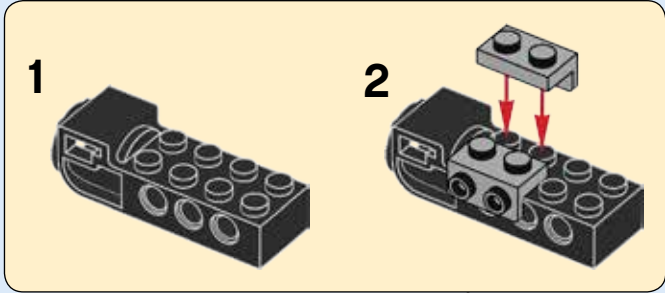


7

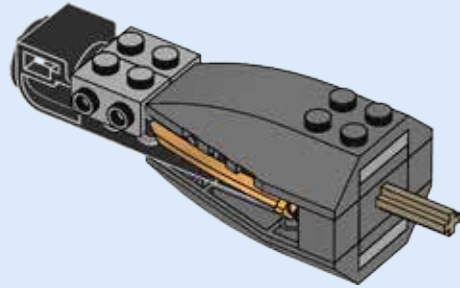


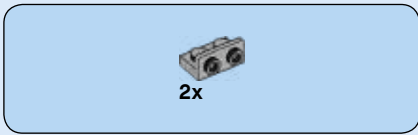


8

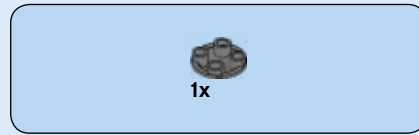
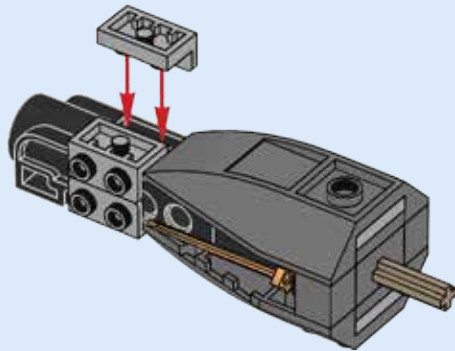


9

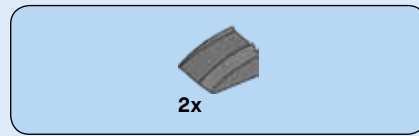
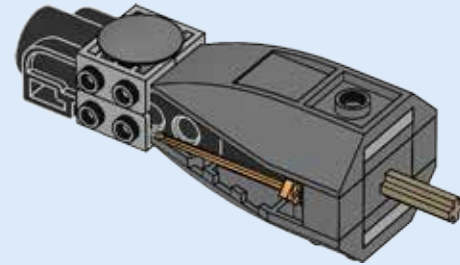




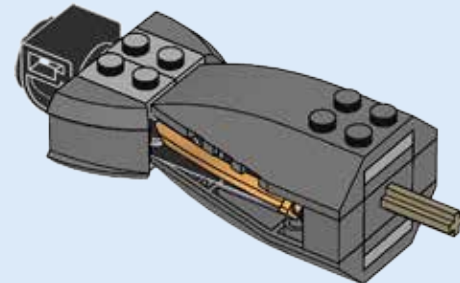
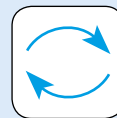
10



11



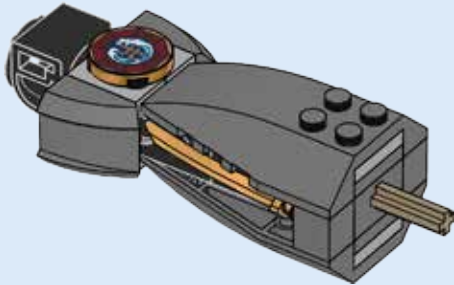
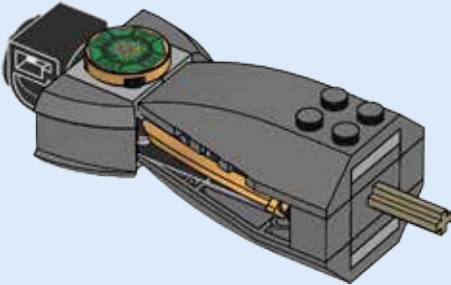
12



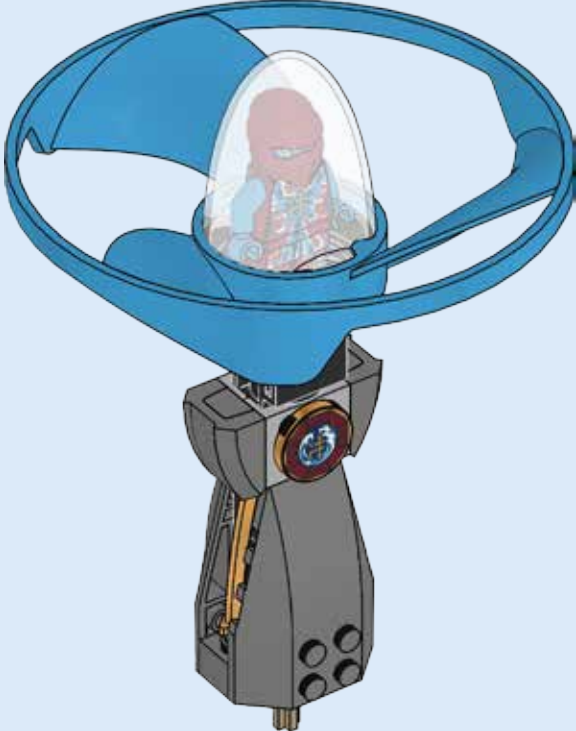
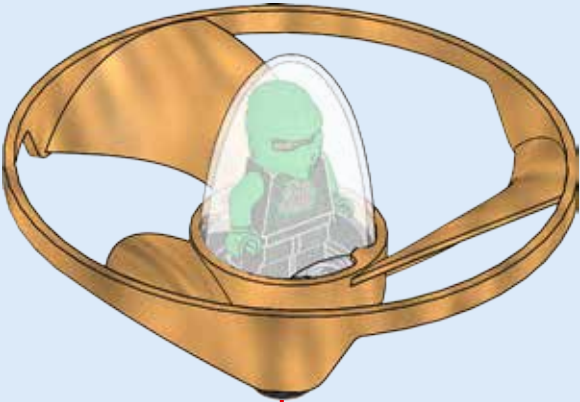
2x

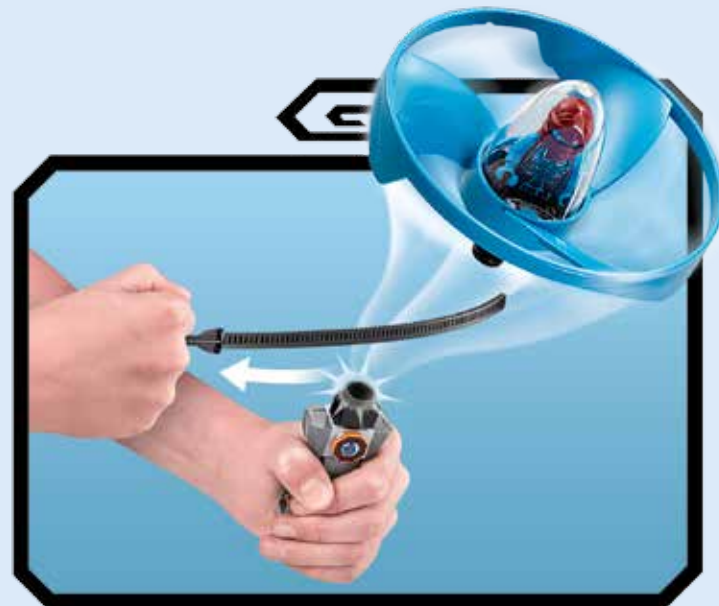
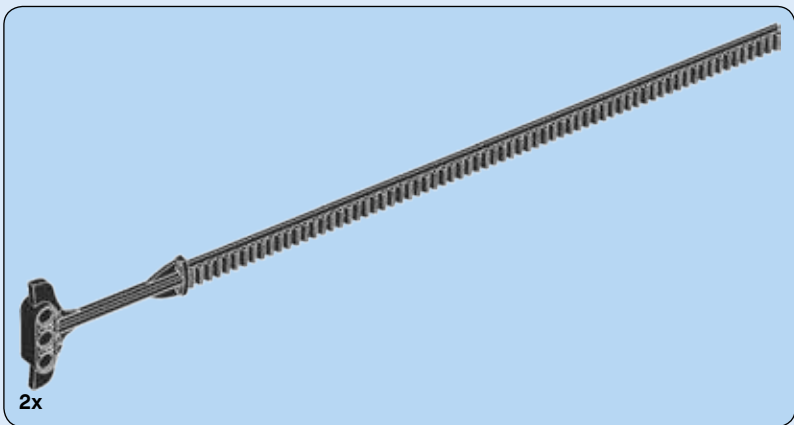


13

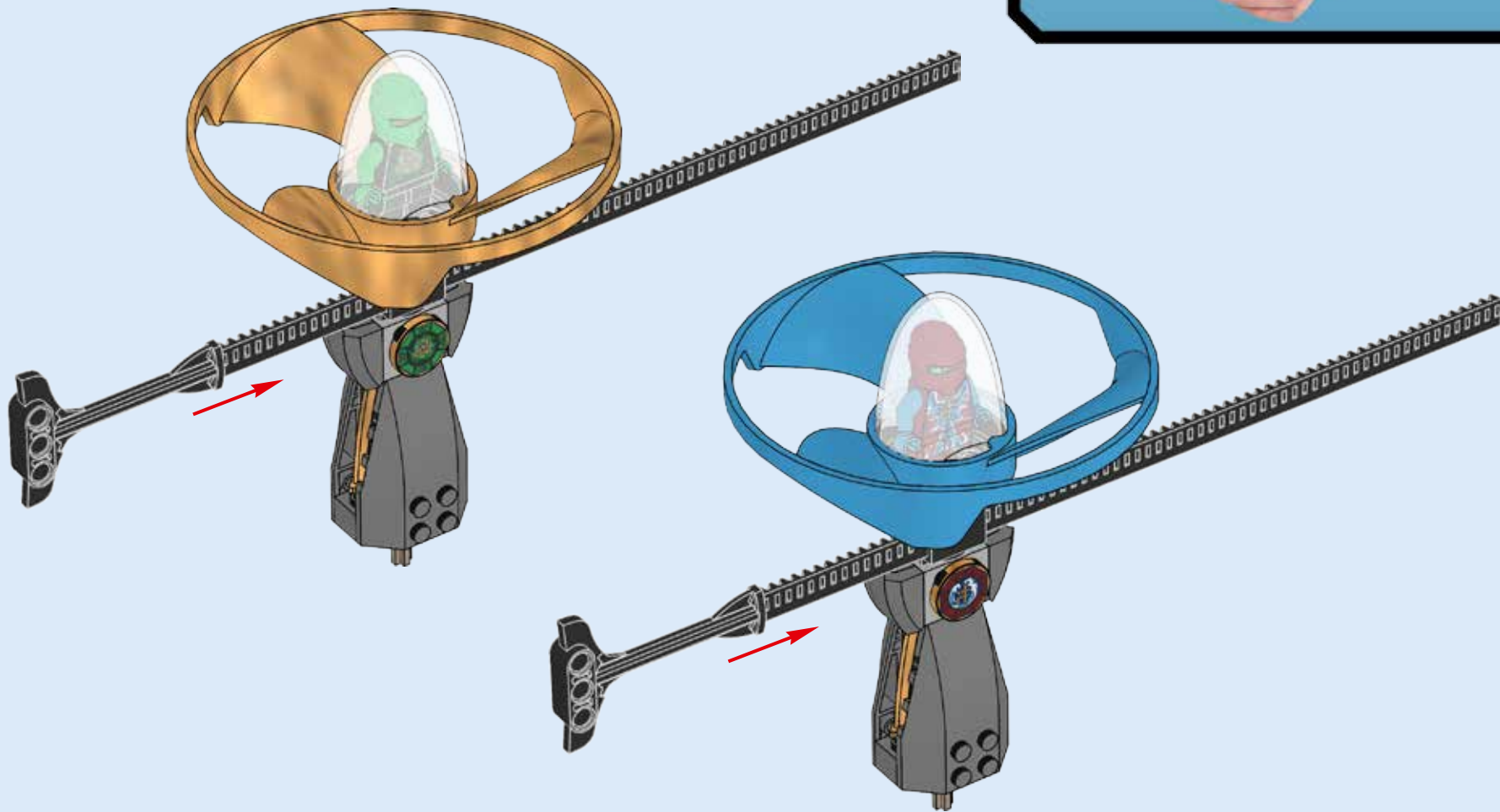


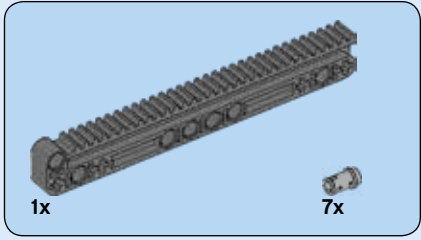
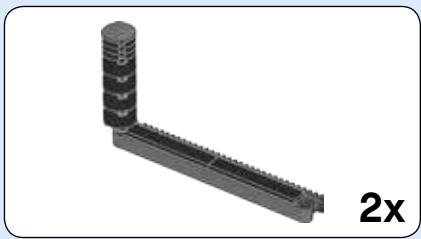
14



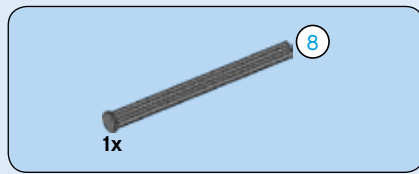
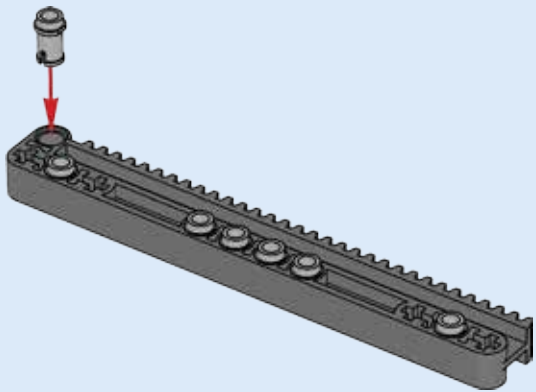


15

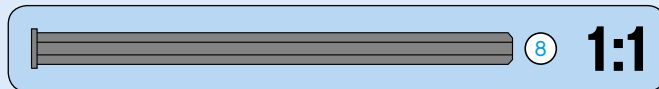
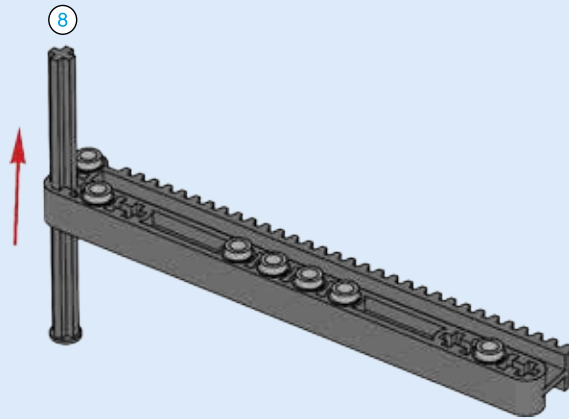


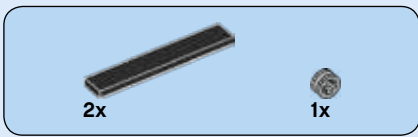


1

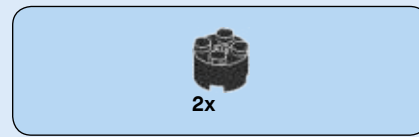
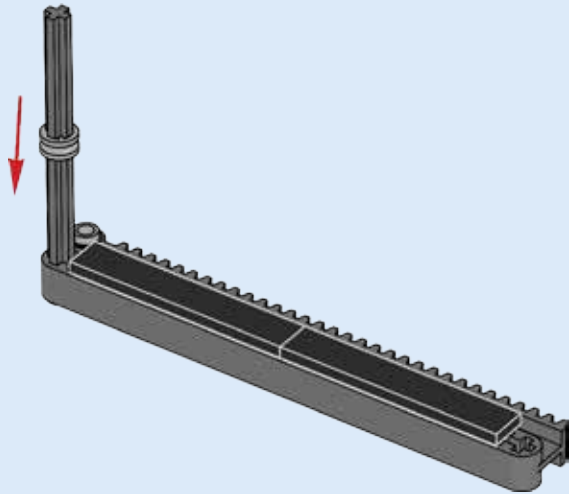


2

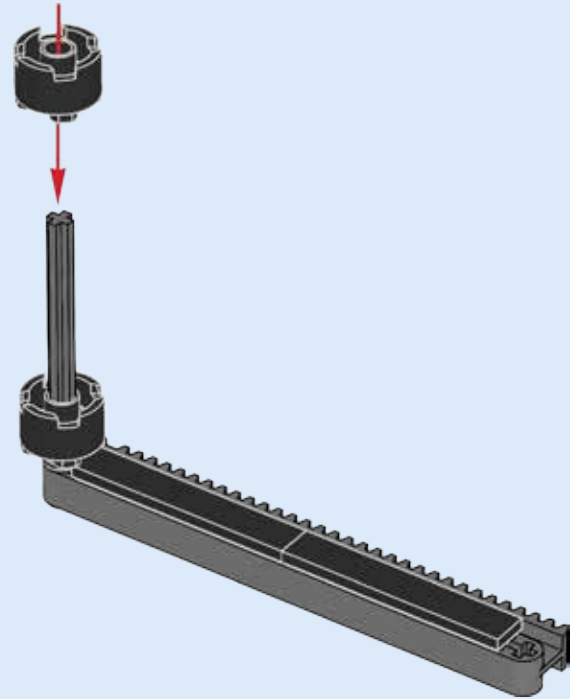




3



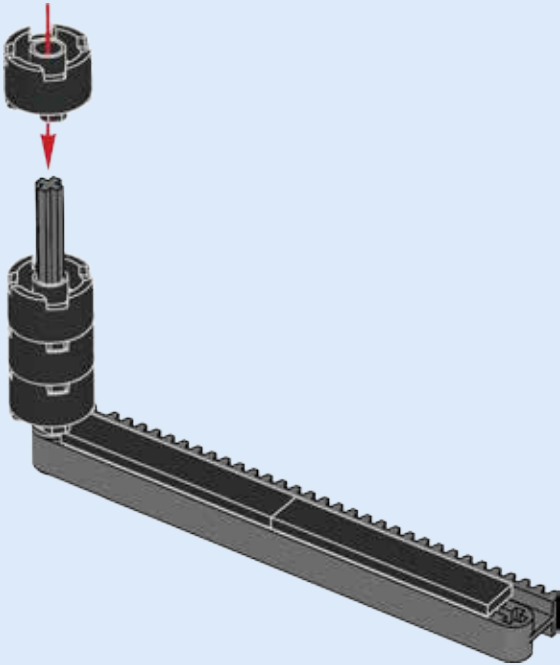
4





2x

5

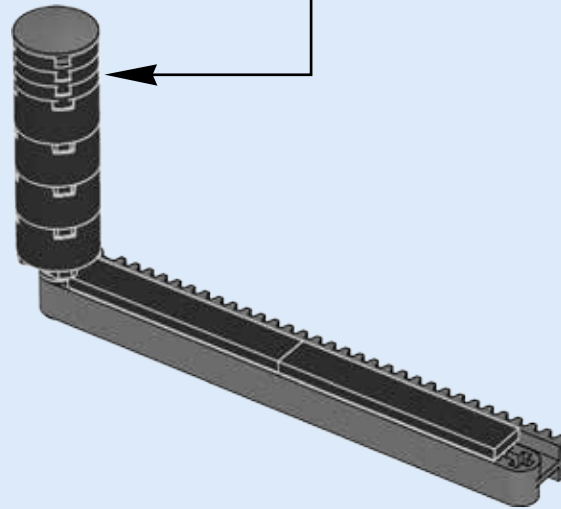
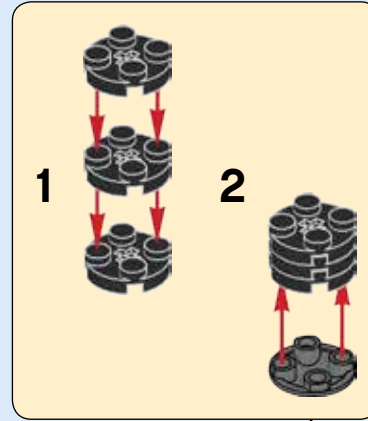


3x



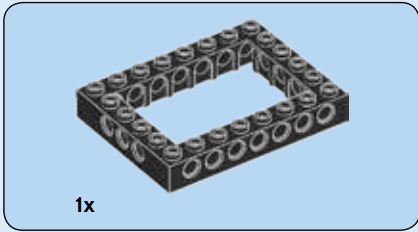
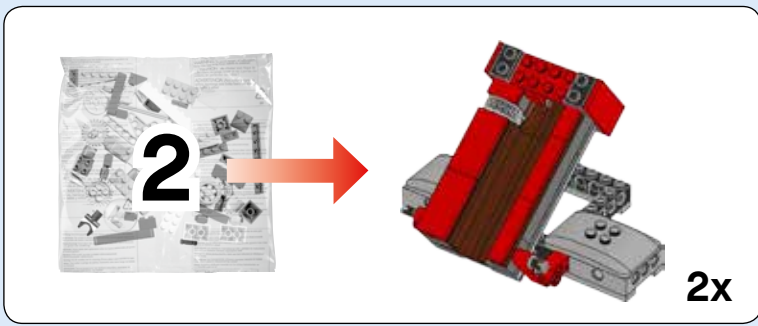
1x

6

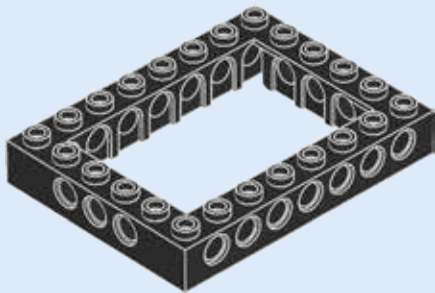


2x

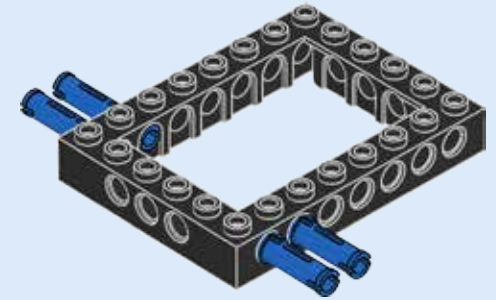




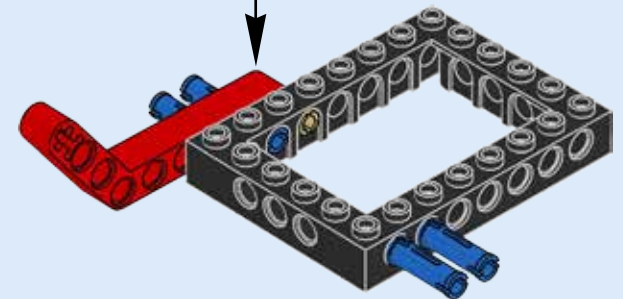
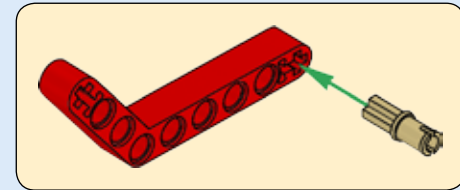
1

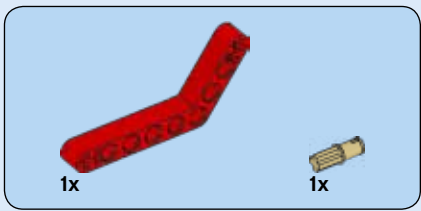


2

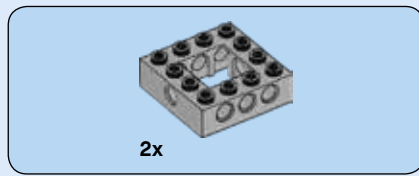
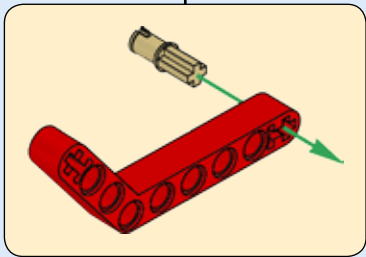
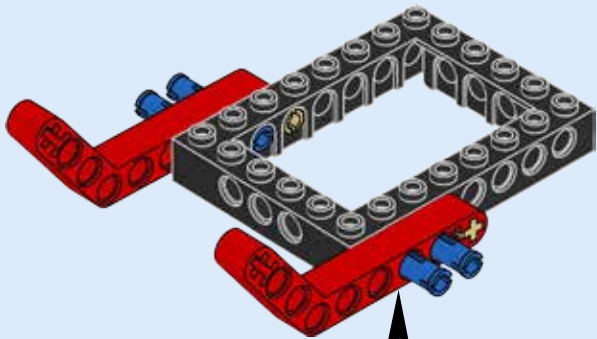


3

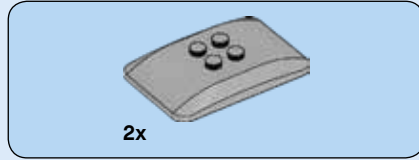
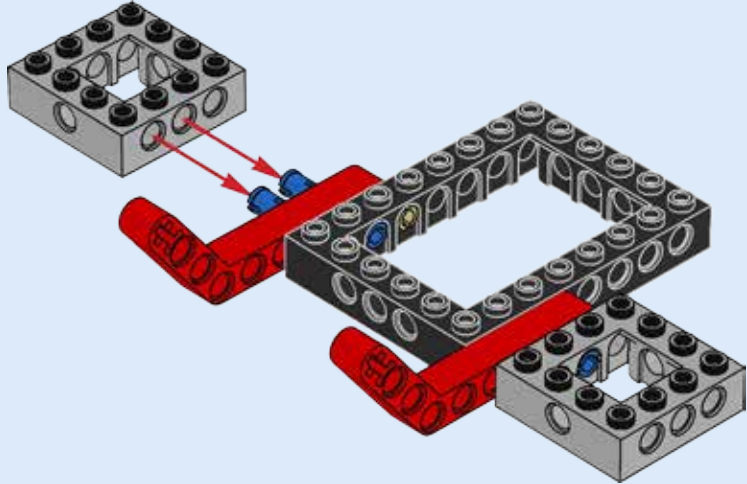




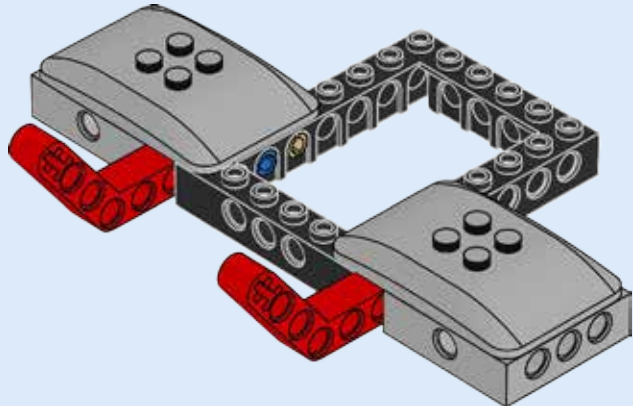
4

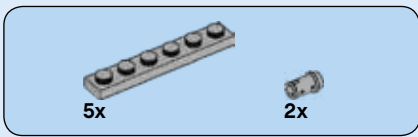


5

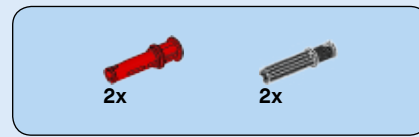
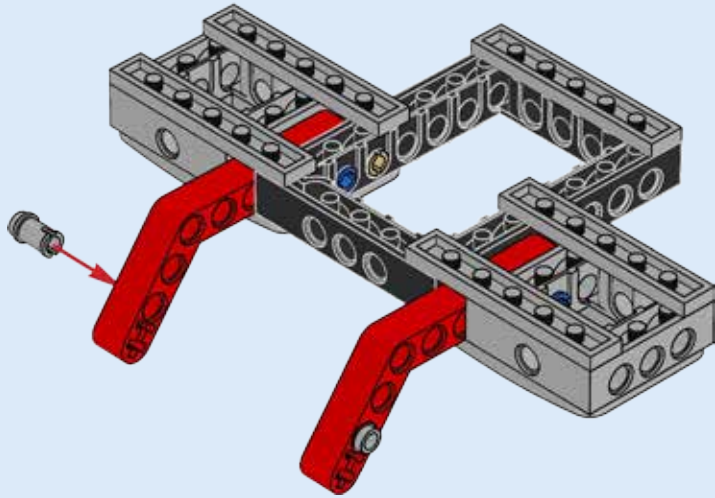


6

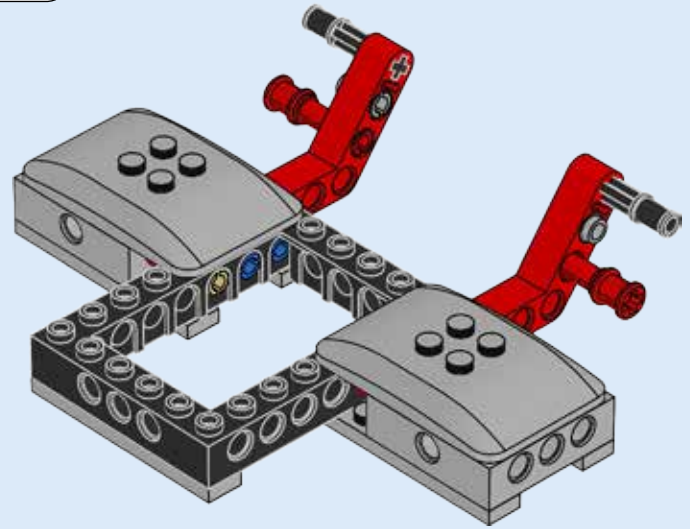
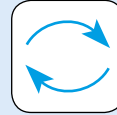


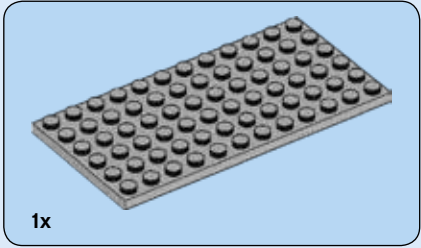
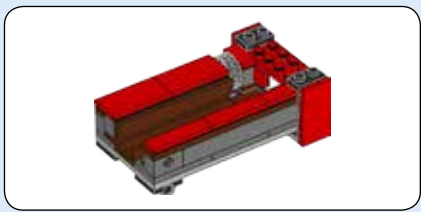


7



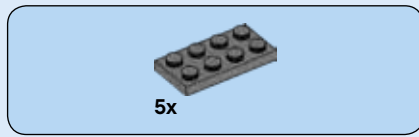
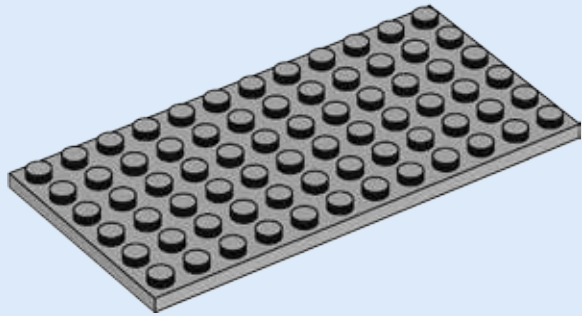
8





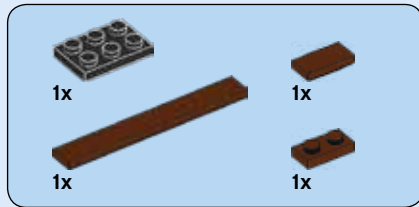
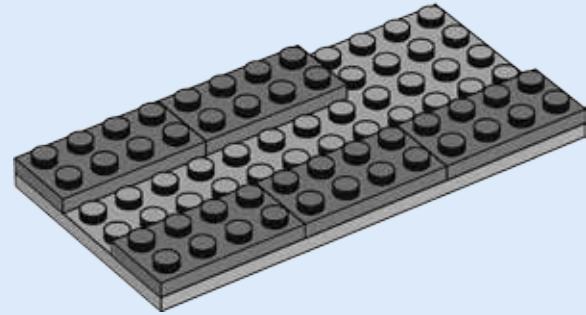
1x

9



5x

10



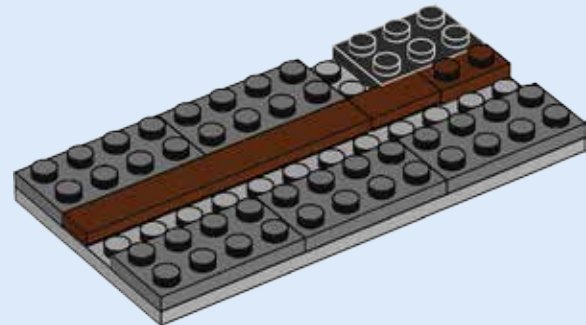
1x

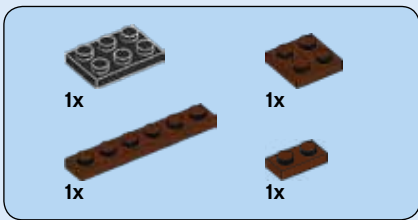
1x

1x

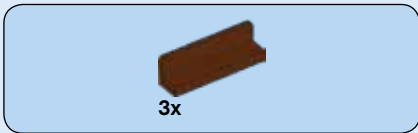
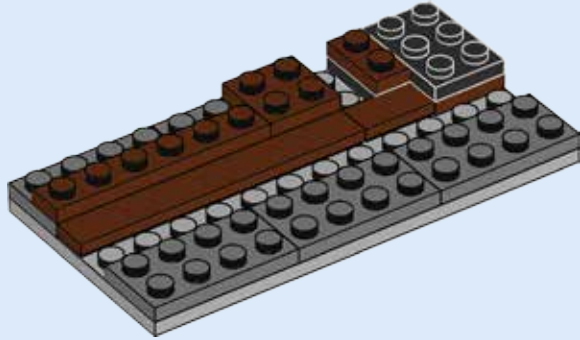
1x

11

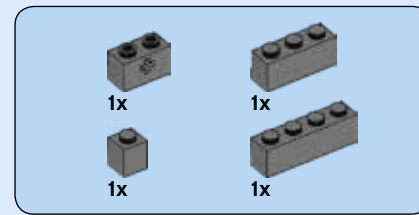
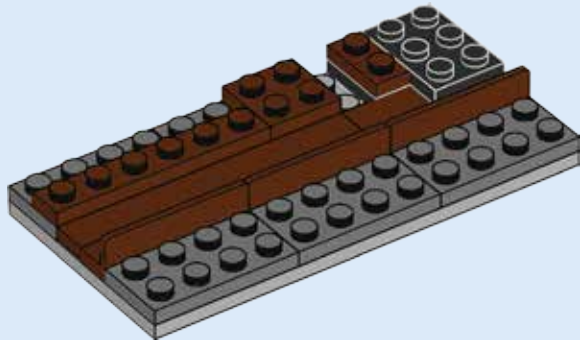




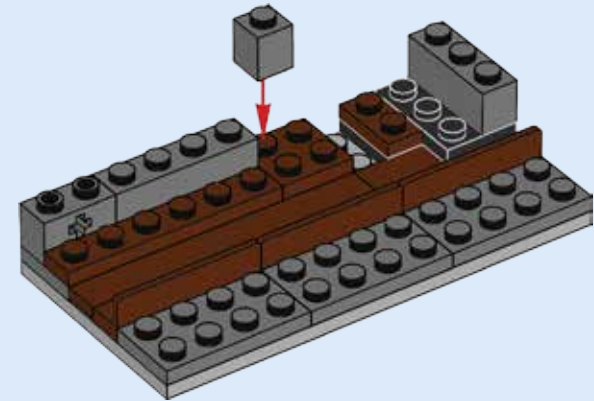
12

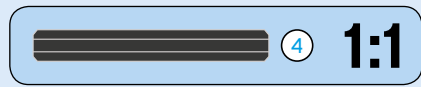
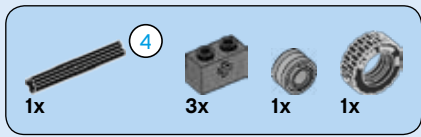


13

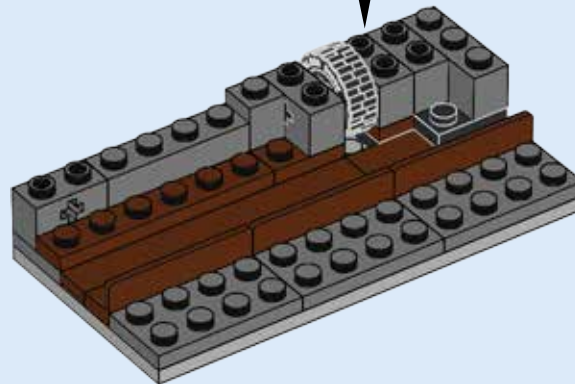
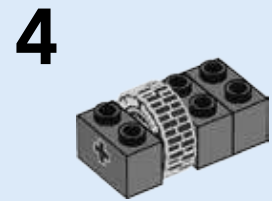
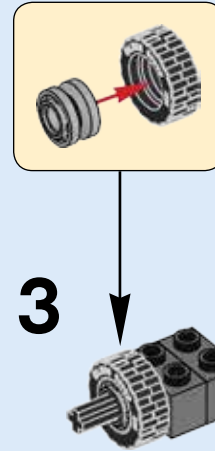
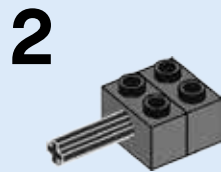
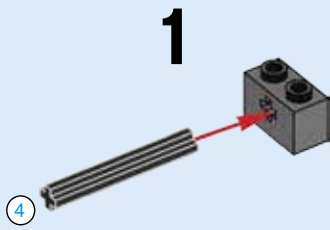


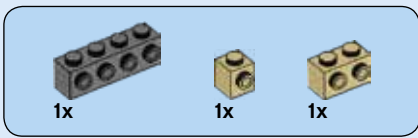
14



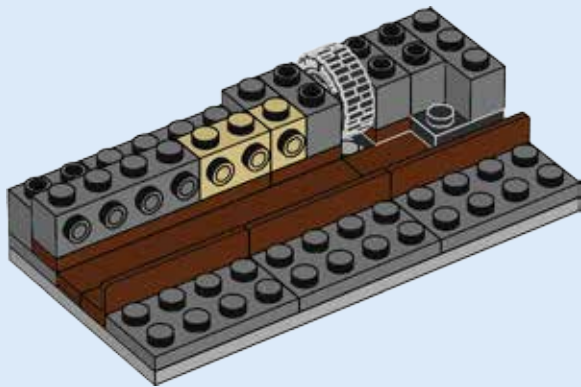


# 15

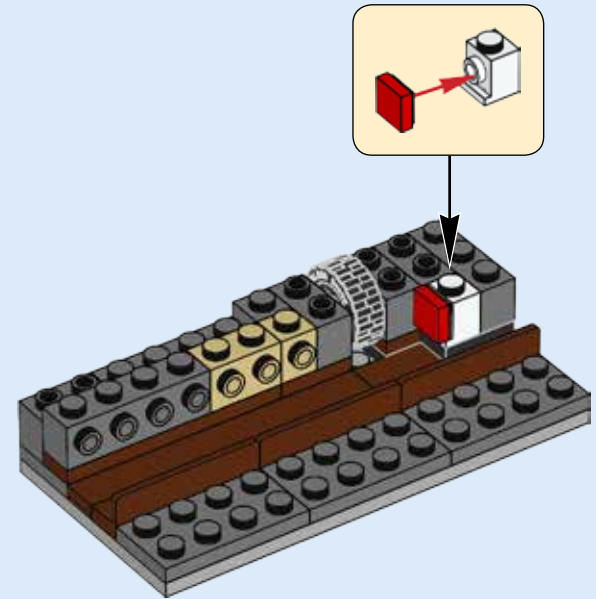


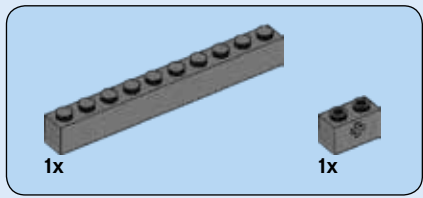


# 16

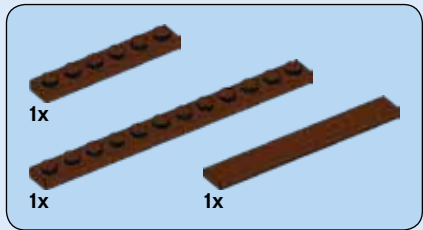
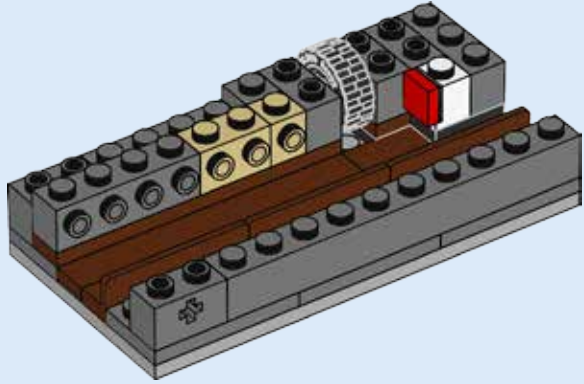


# 17

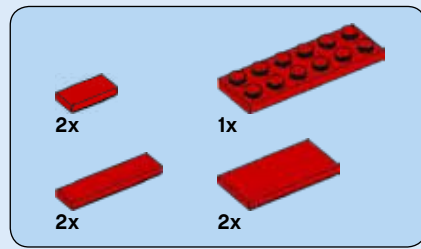
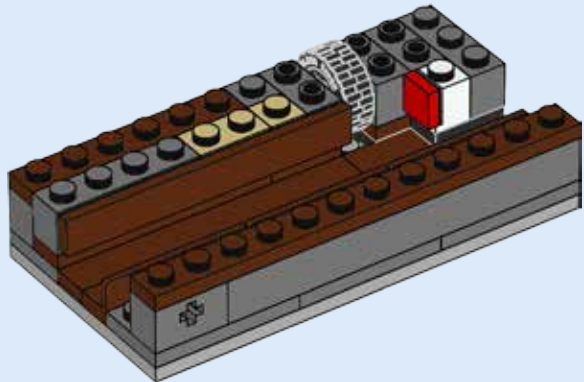




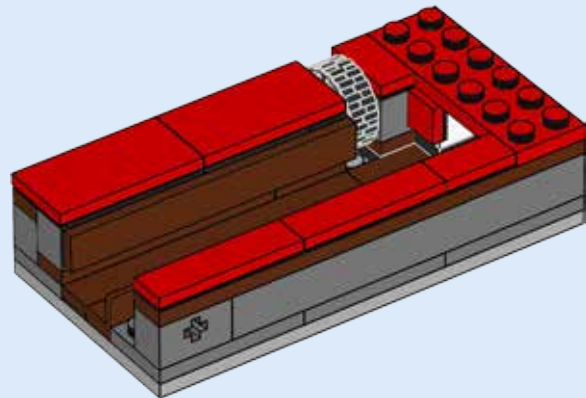
18



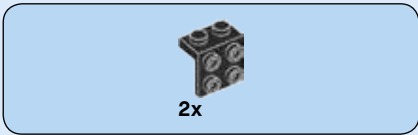
19



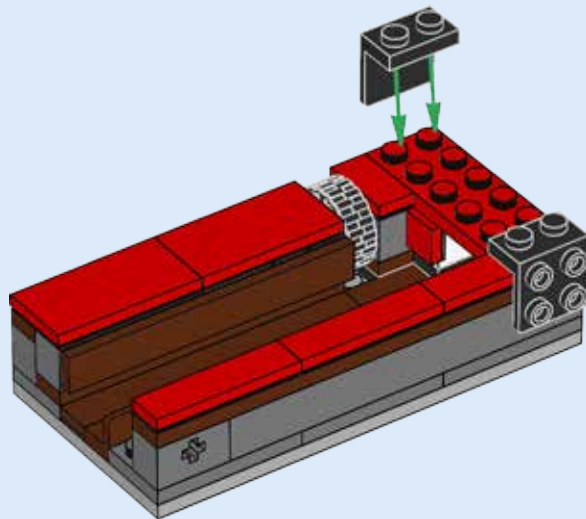
20



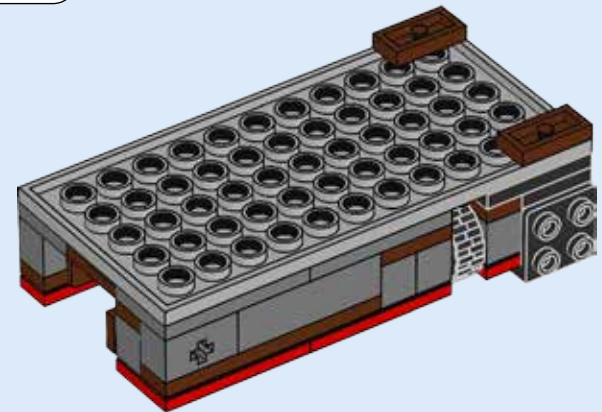
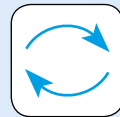




21



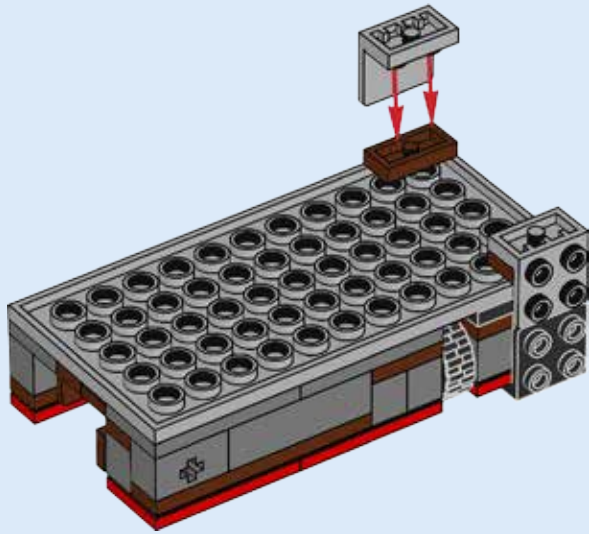
22





2x

# 23

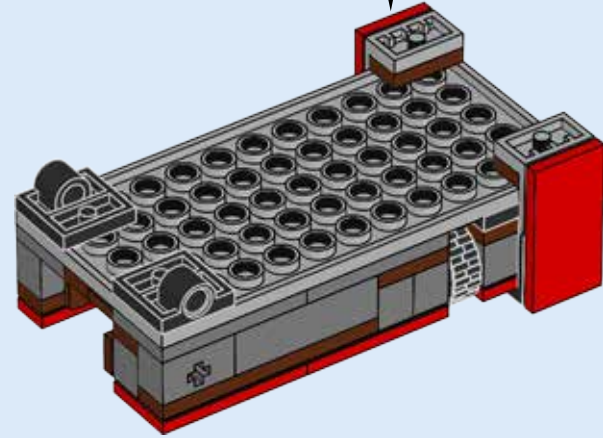
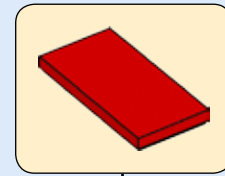


2x

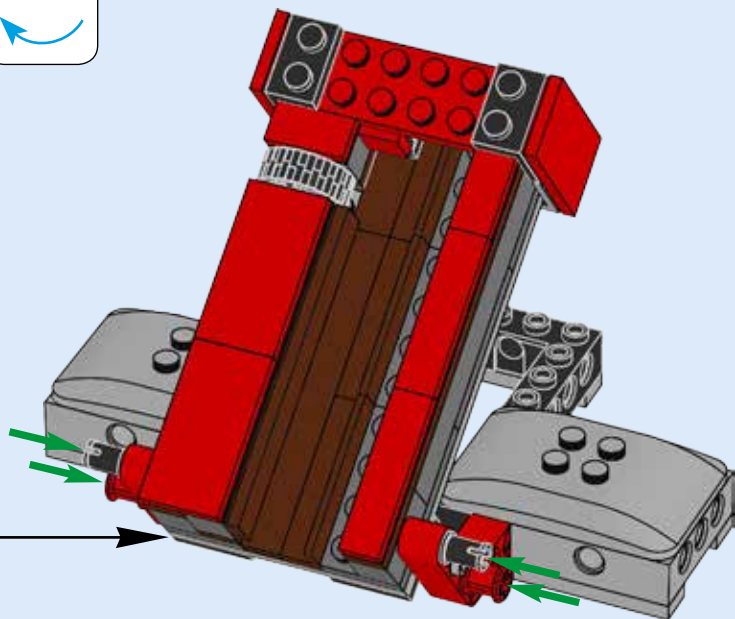
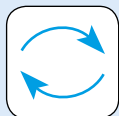


2x

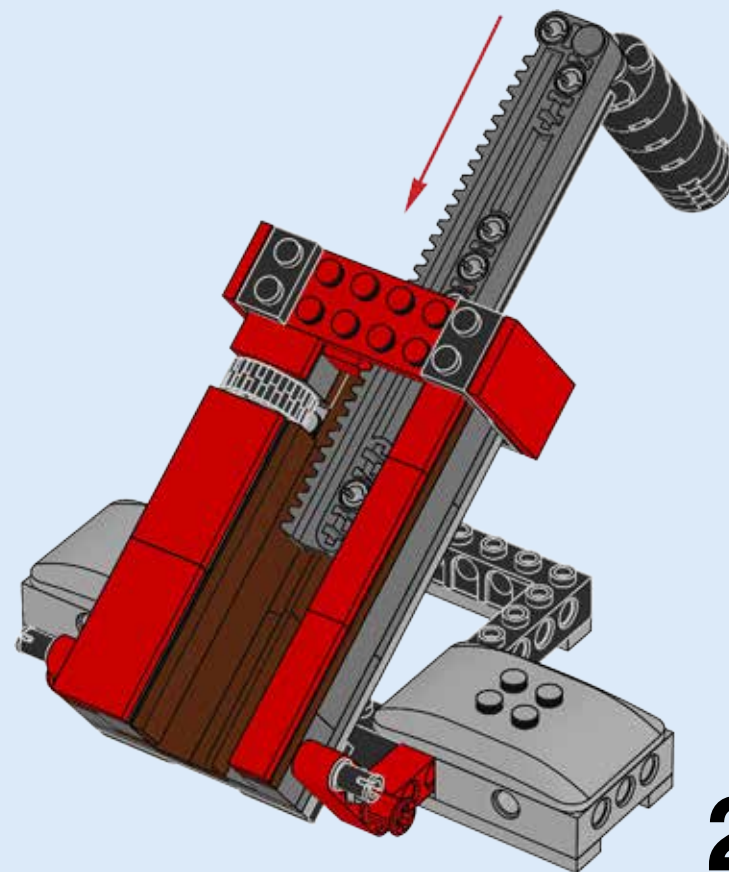
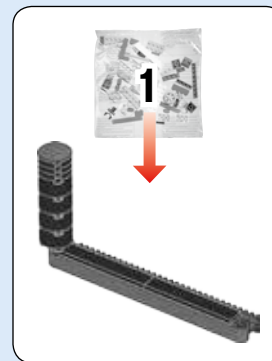
# 24



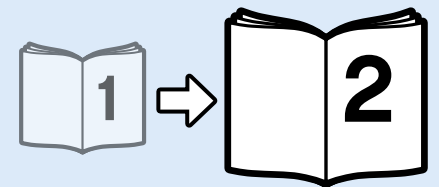
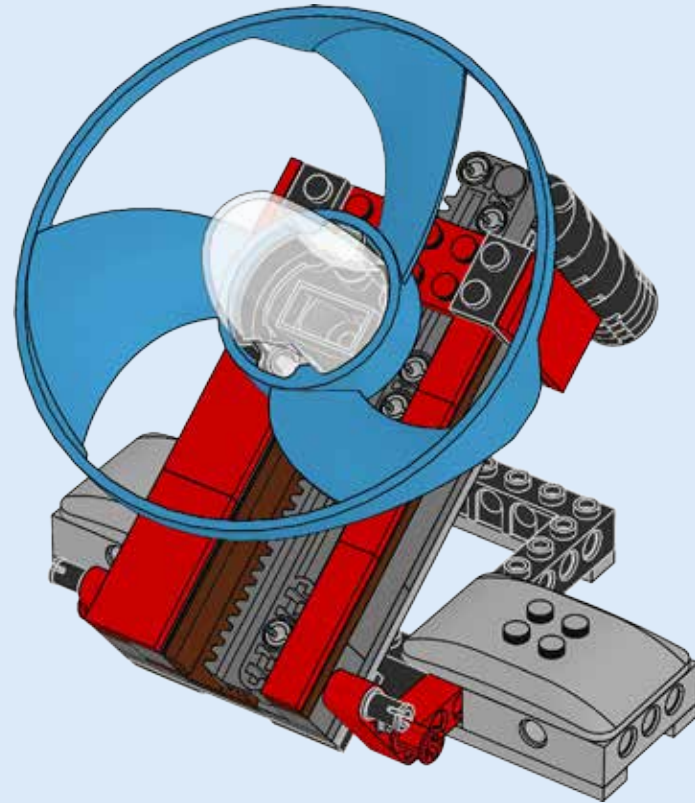
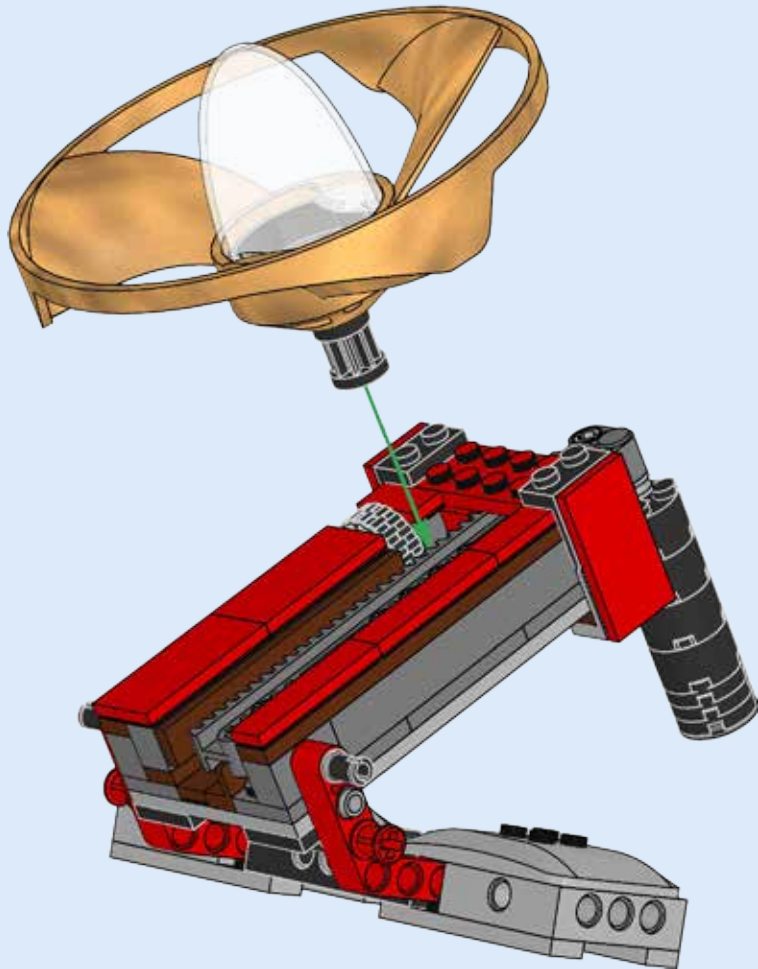
# 25



# 26



# 2x







# NEXO KNIGHTS™



70323



70317



70322



70321



70320



70319



70318



70336



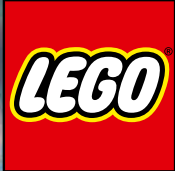
70337



70338



70339



# NEXO KNIGHTS™



70339



70338



70336



70337