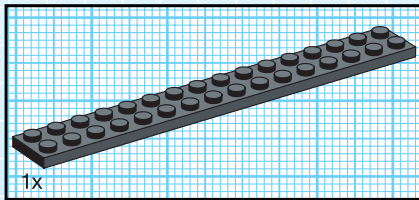
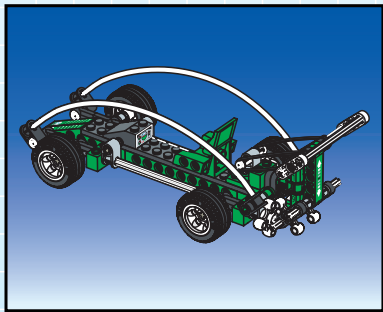
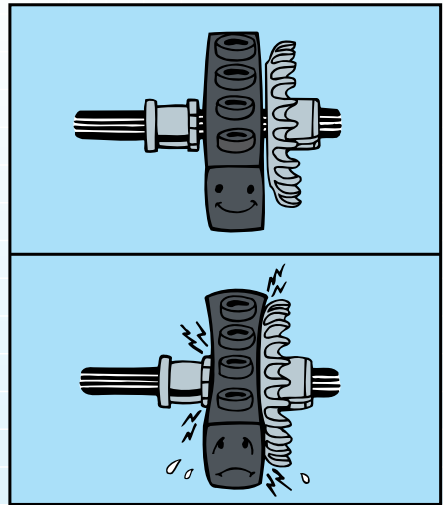
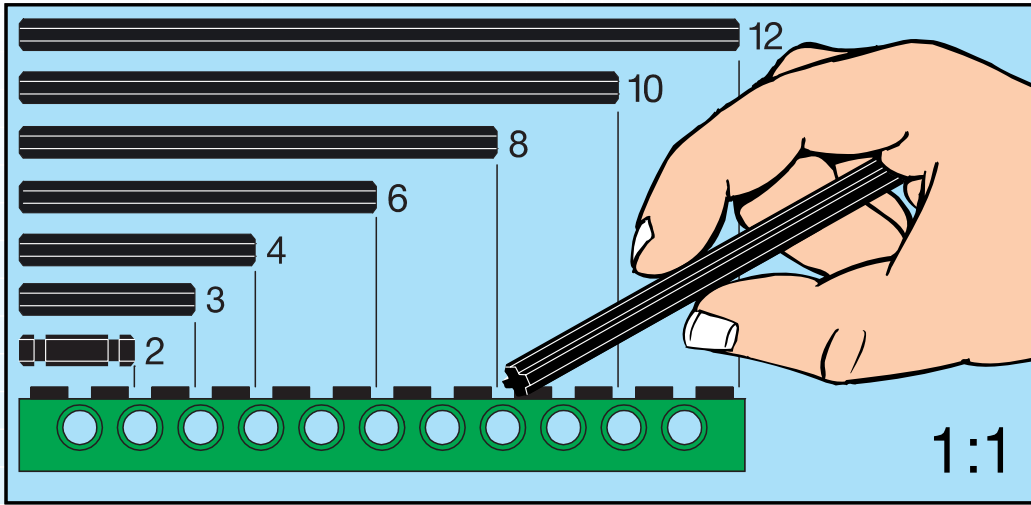




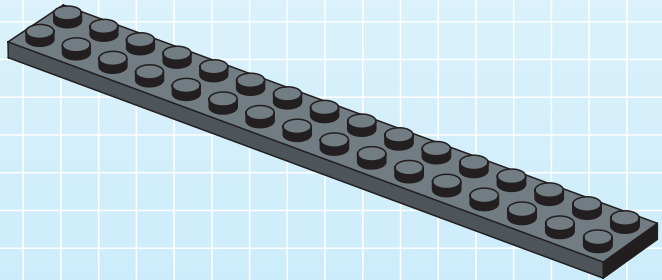
# Technic

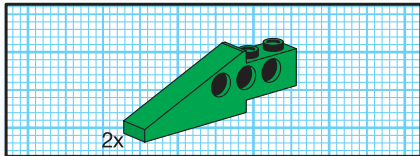
8213



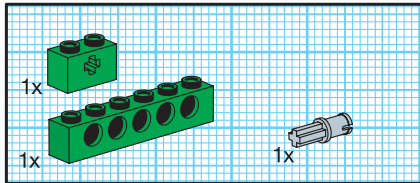
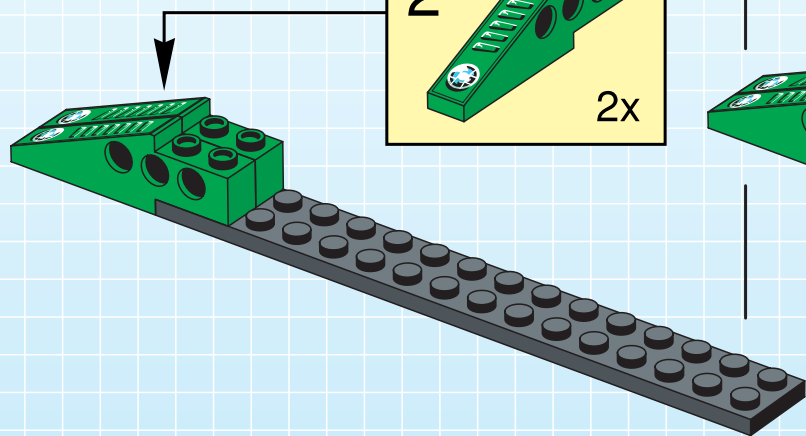
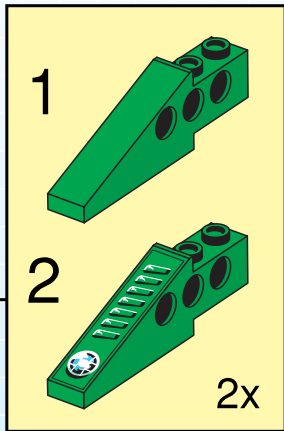


1

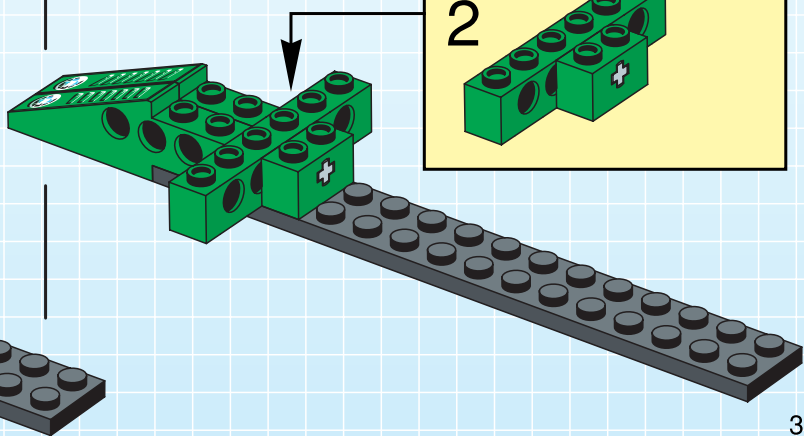
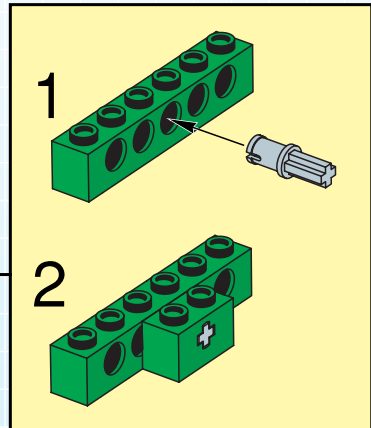




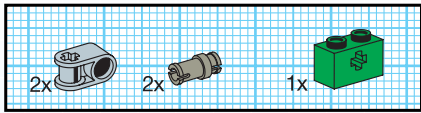
2



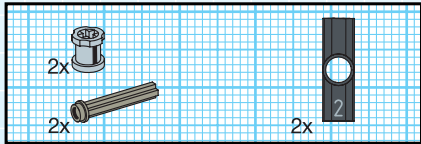
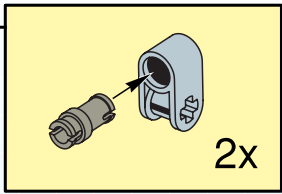
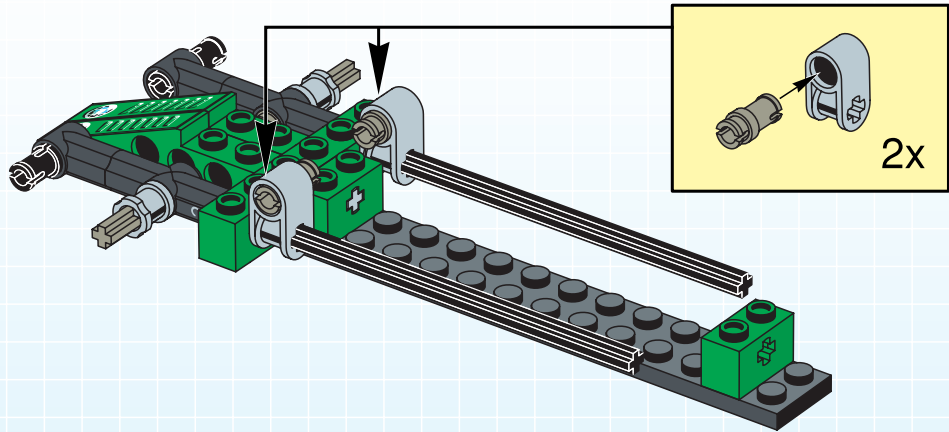
3



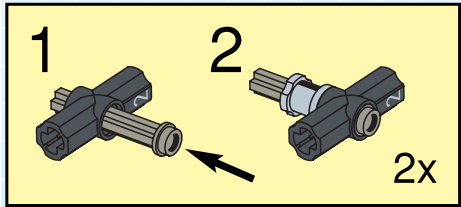
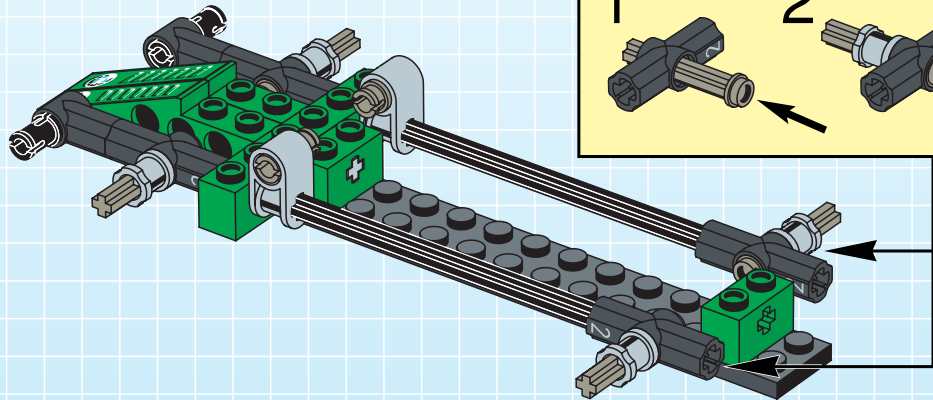


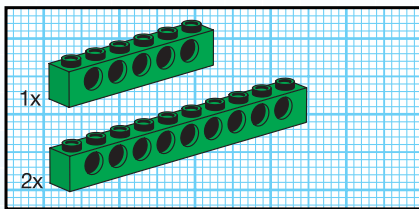


5

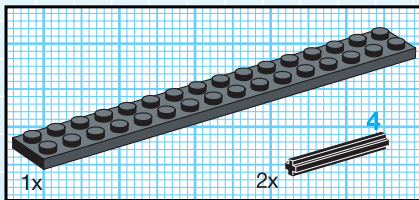
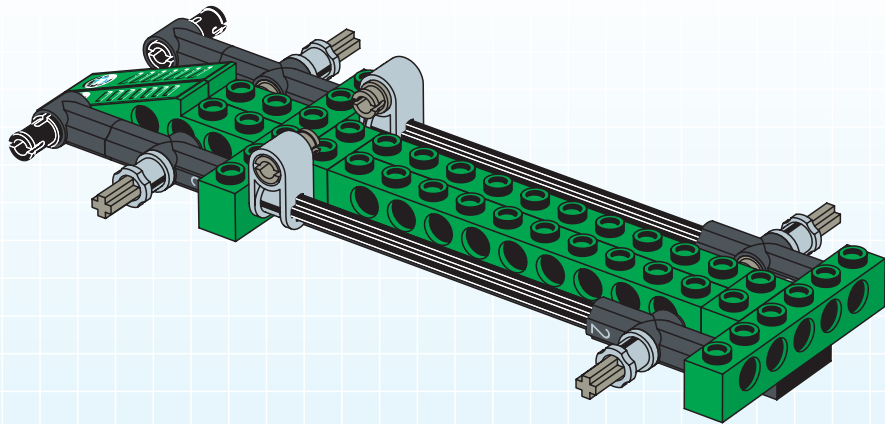


6

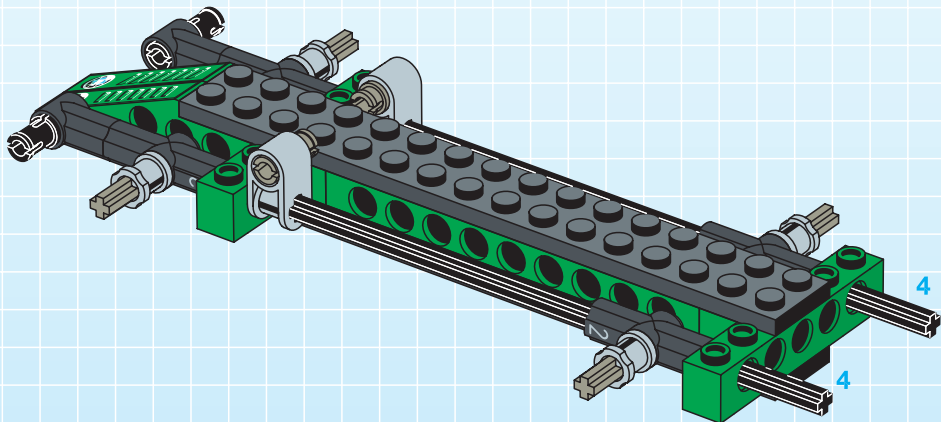


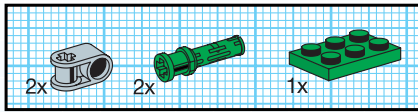


7

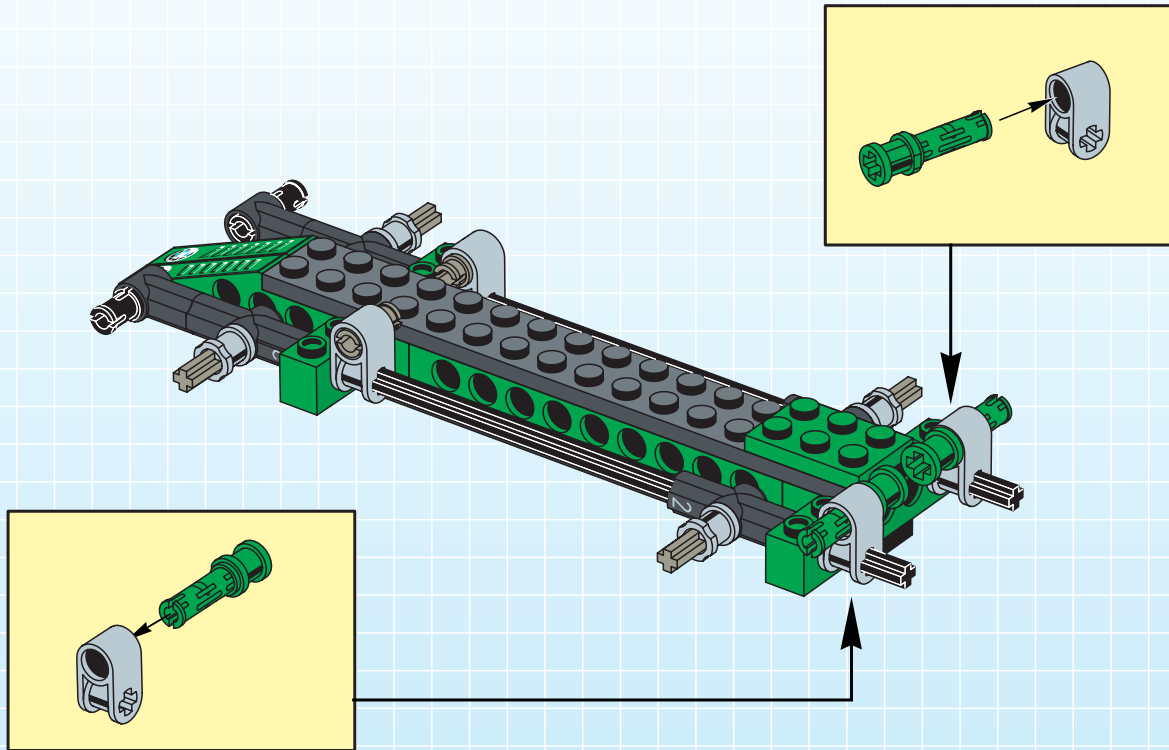


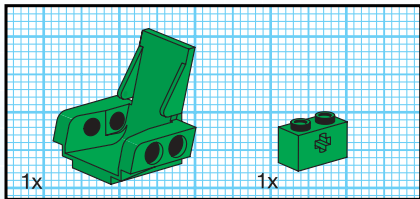
8



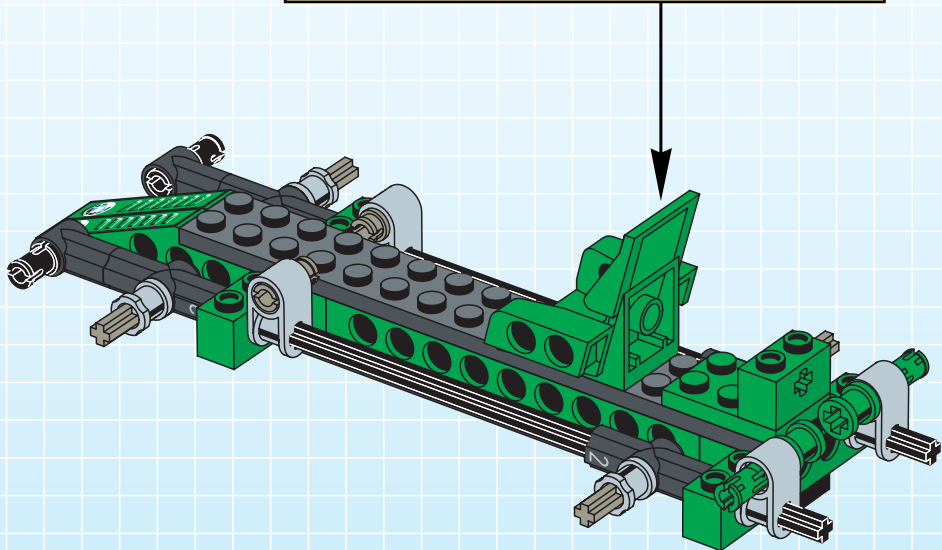
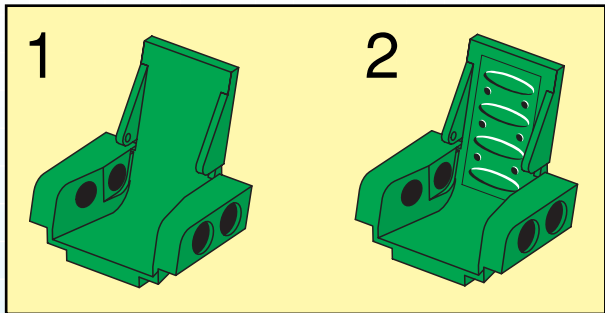


9

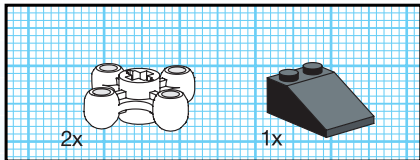




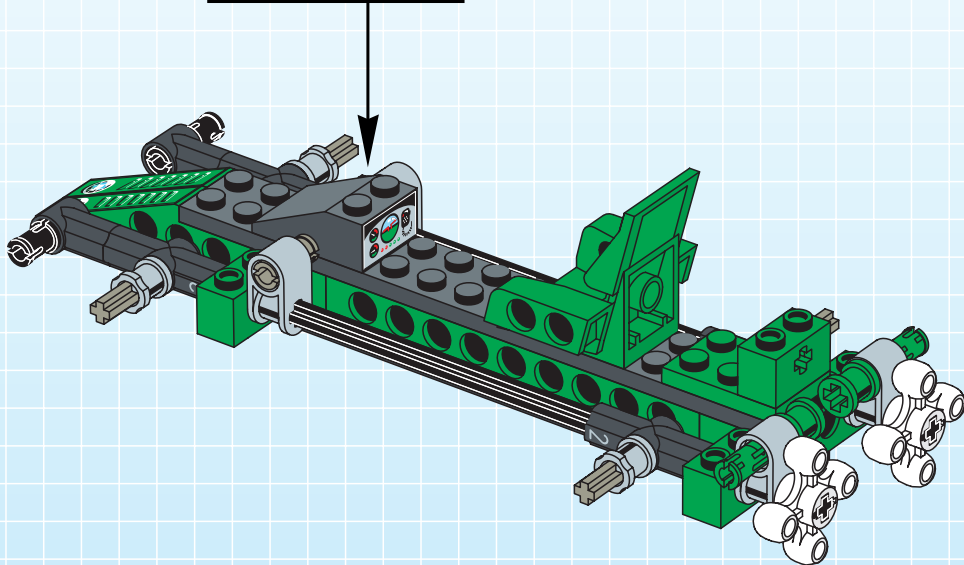
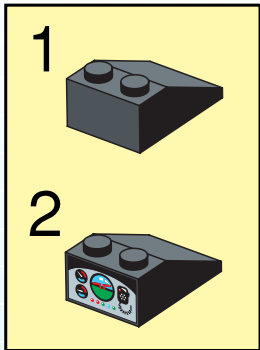
10

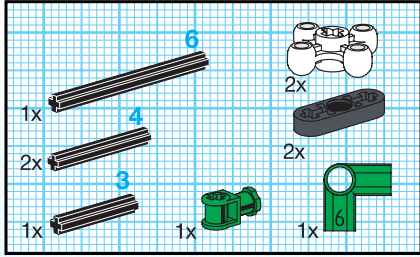




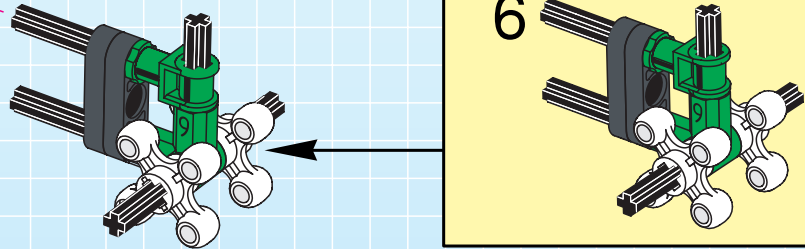
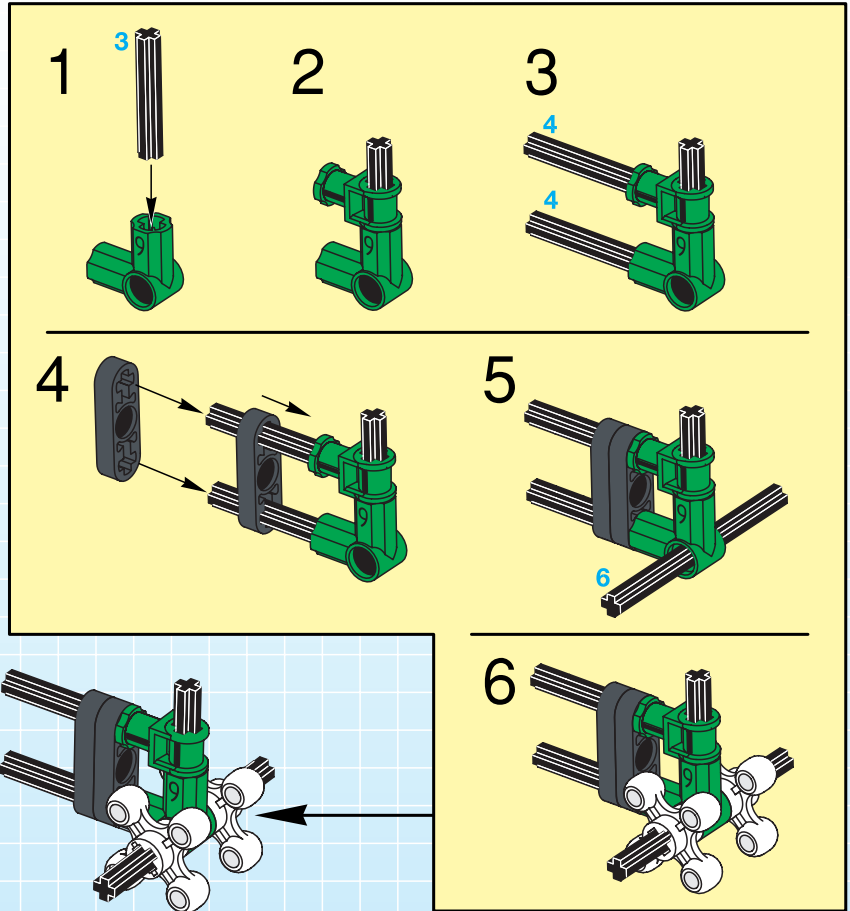
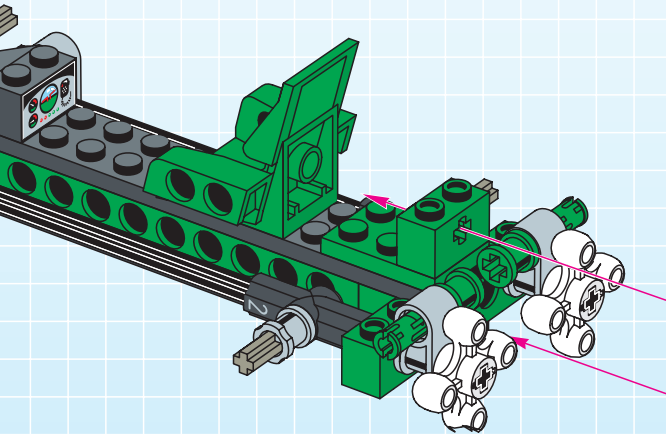


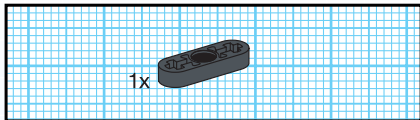
11



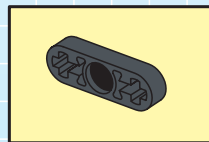
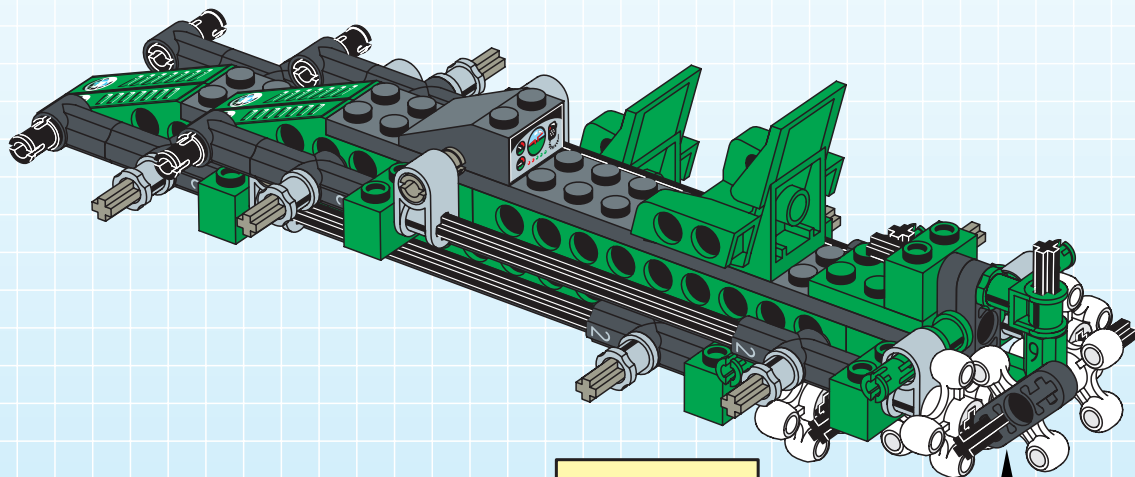


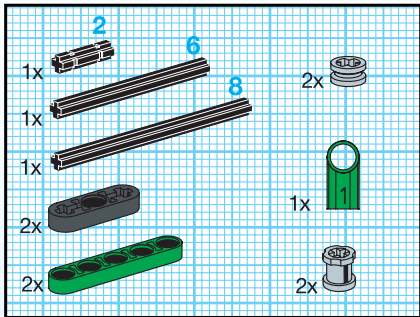
# 12



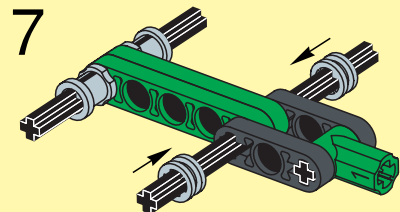
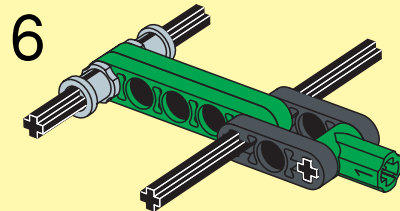
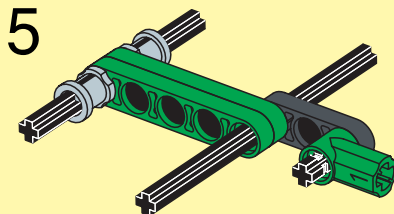
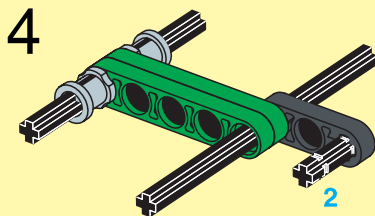
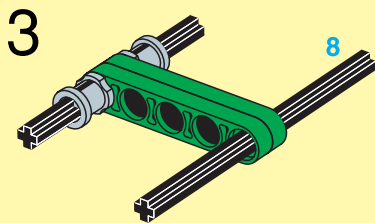
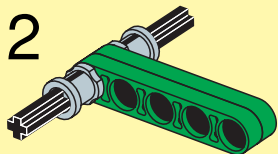
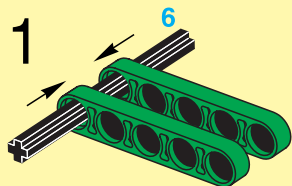


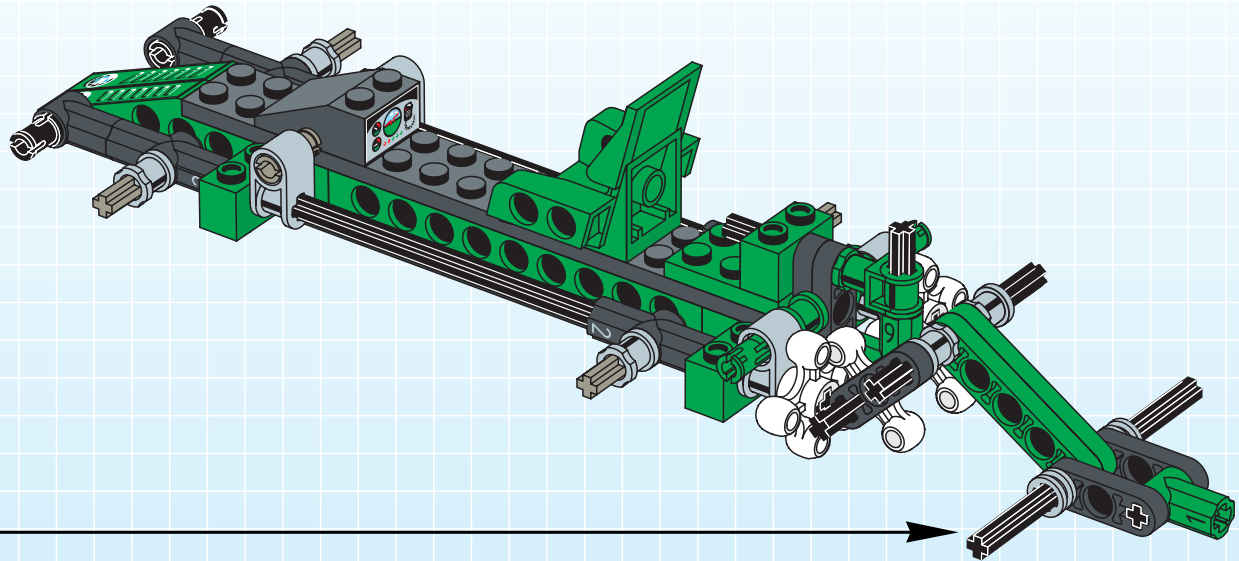
# 13



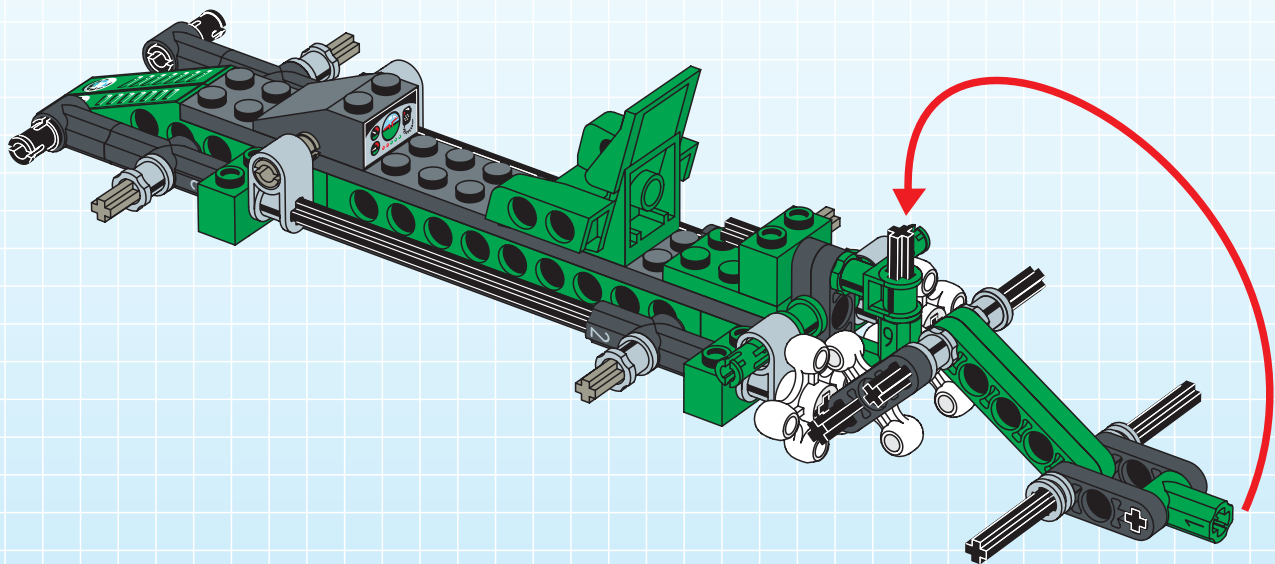


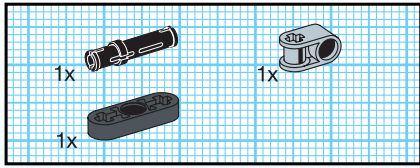
# 14



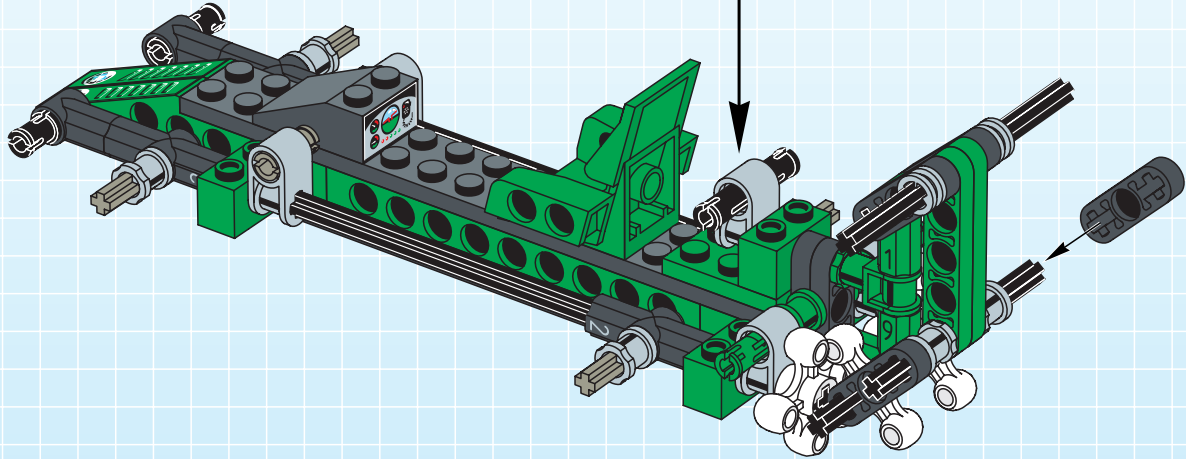
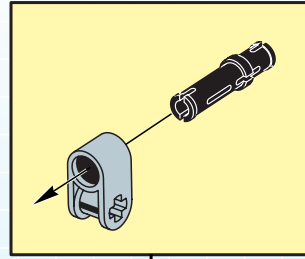


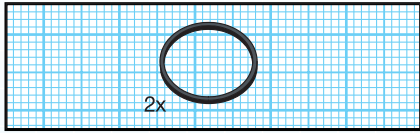
15



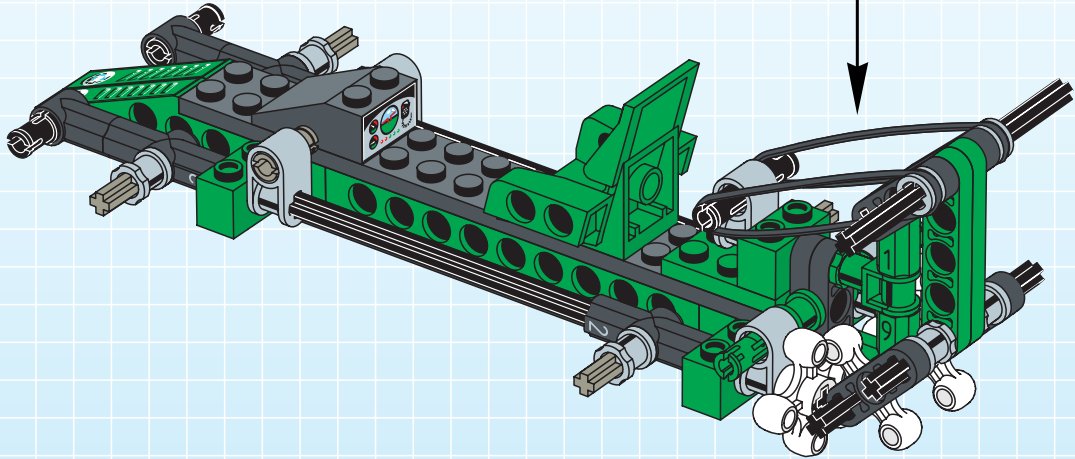
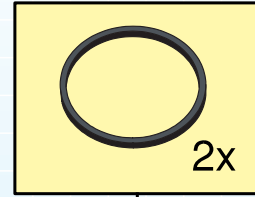


16

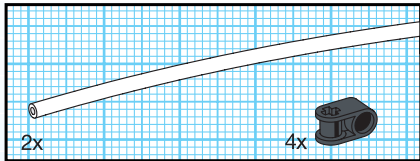




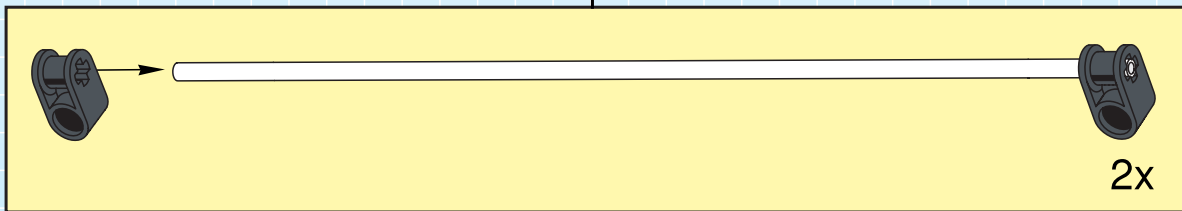
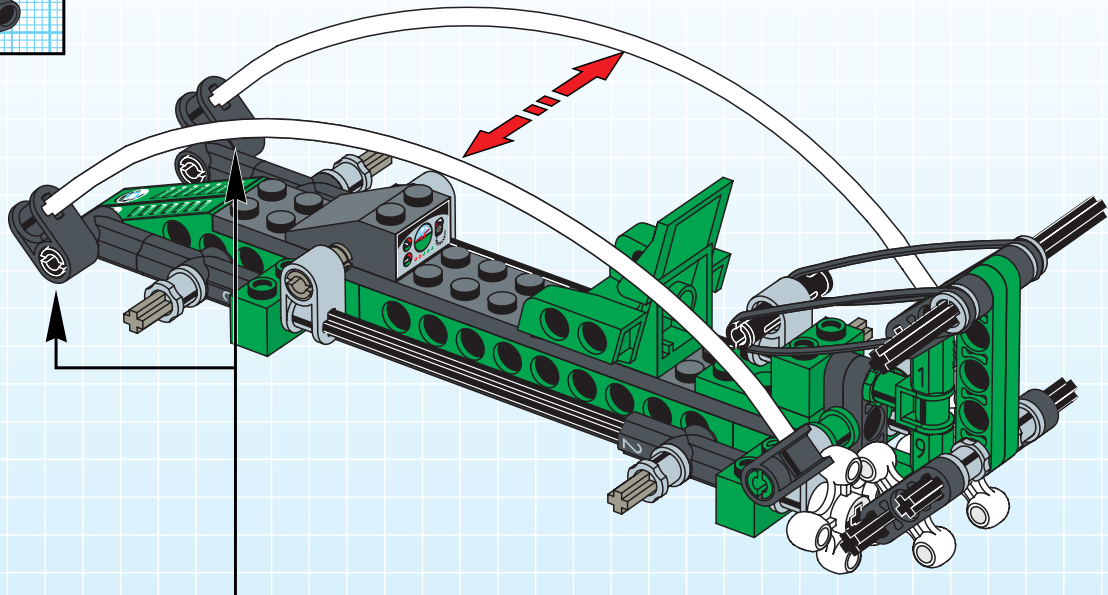
17



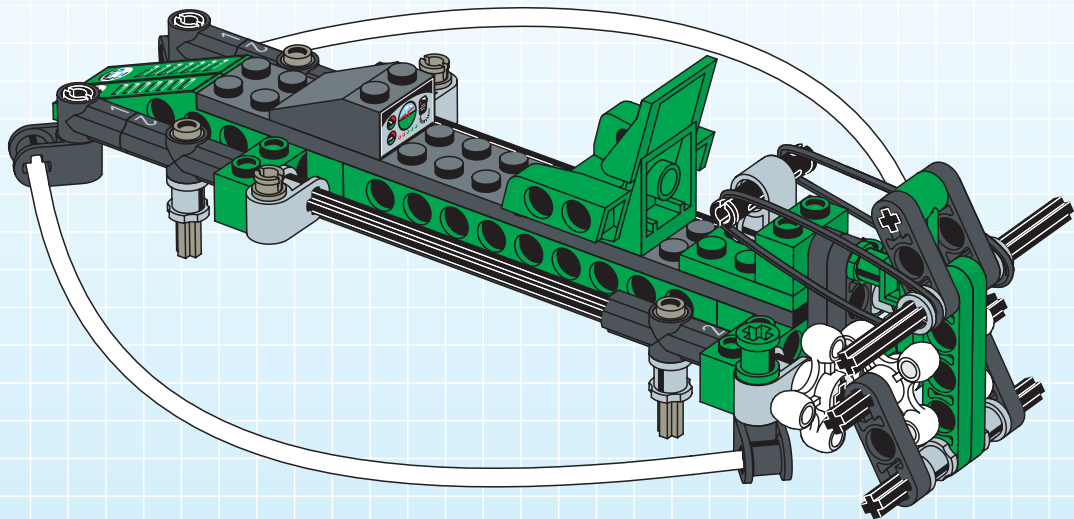


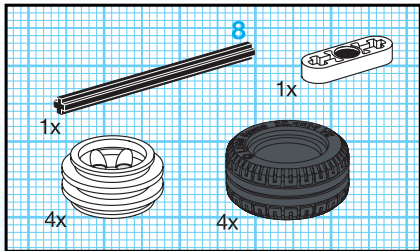


18

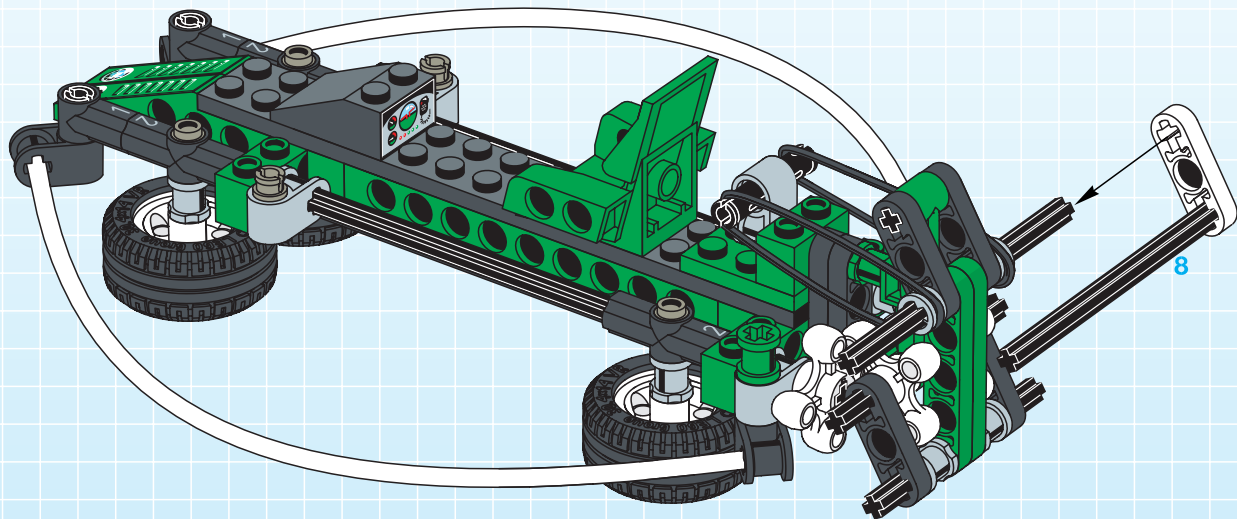


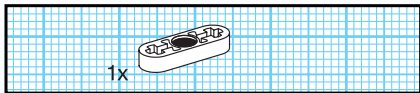
# 19



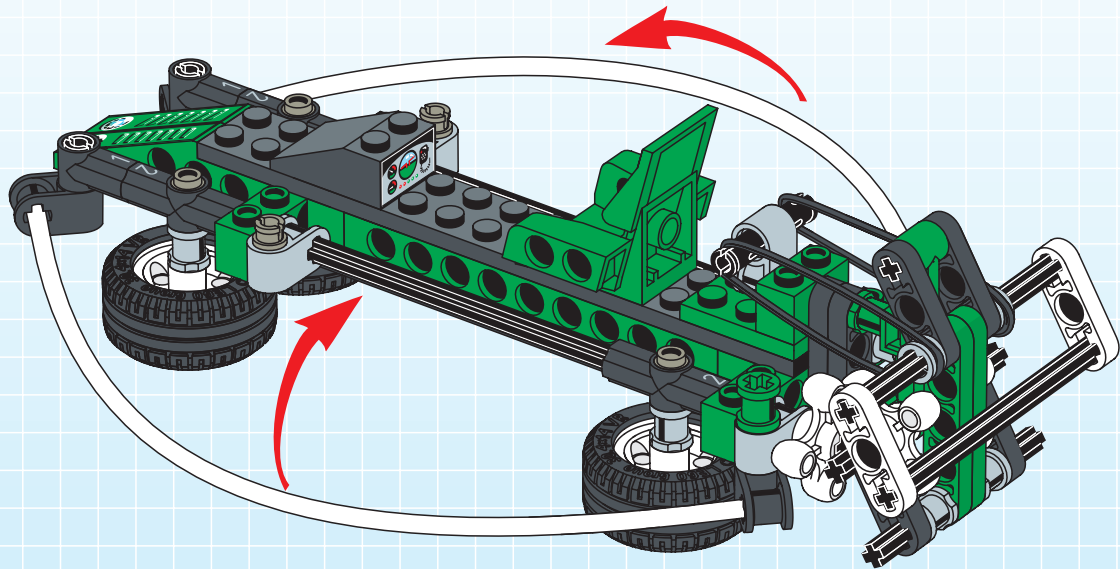


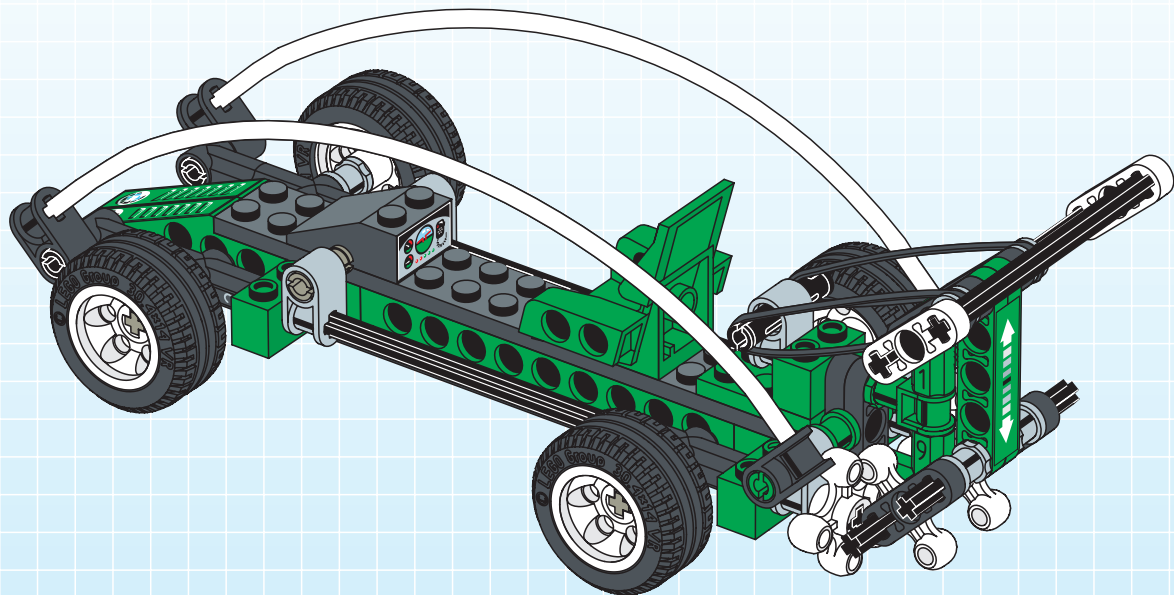
20

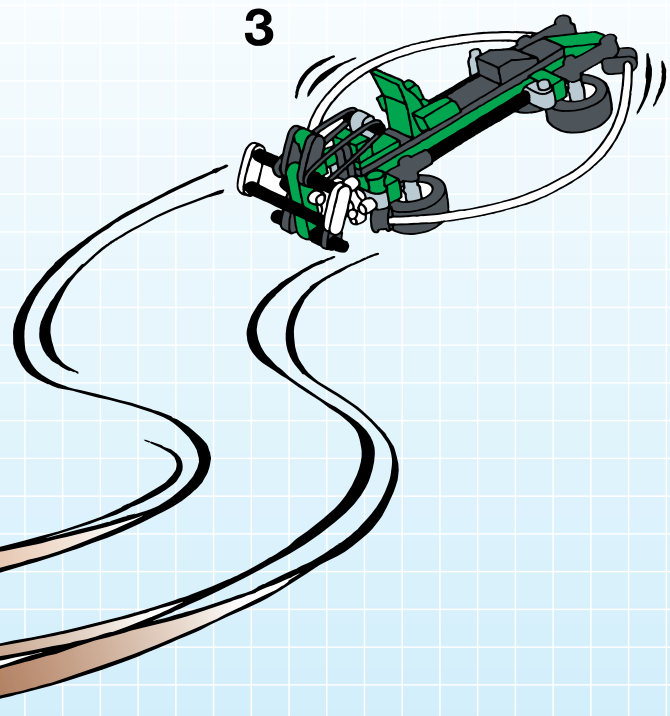
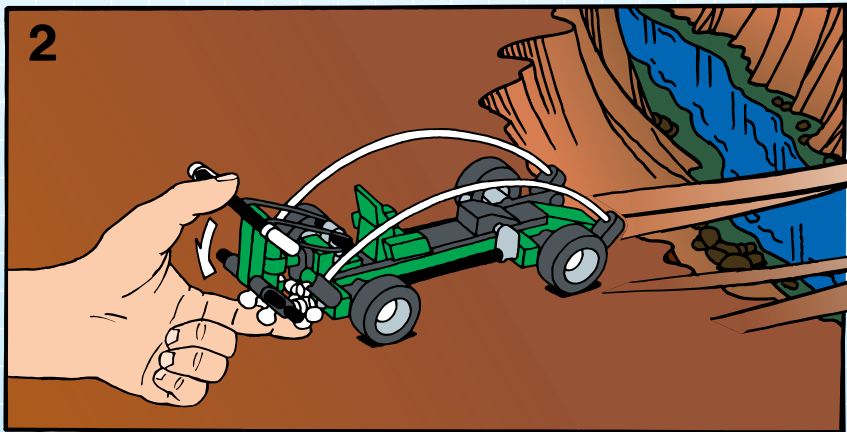
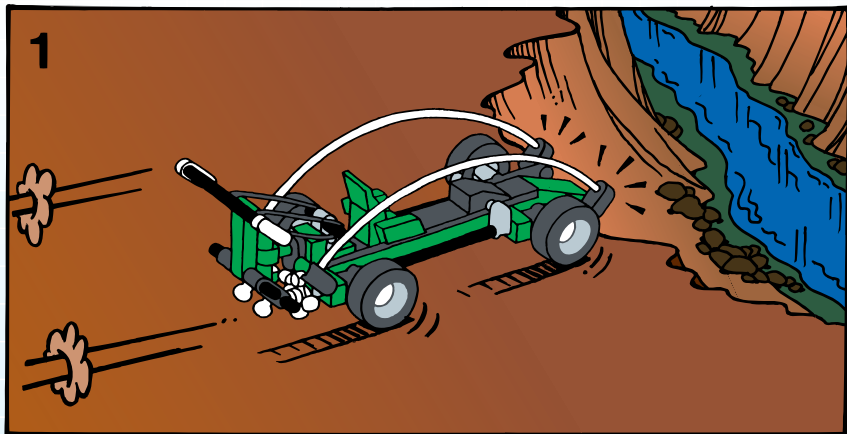


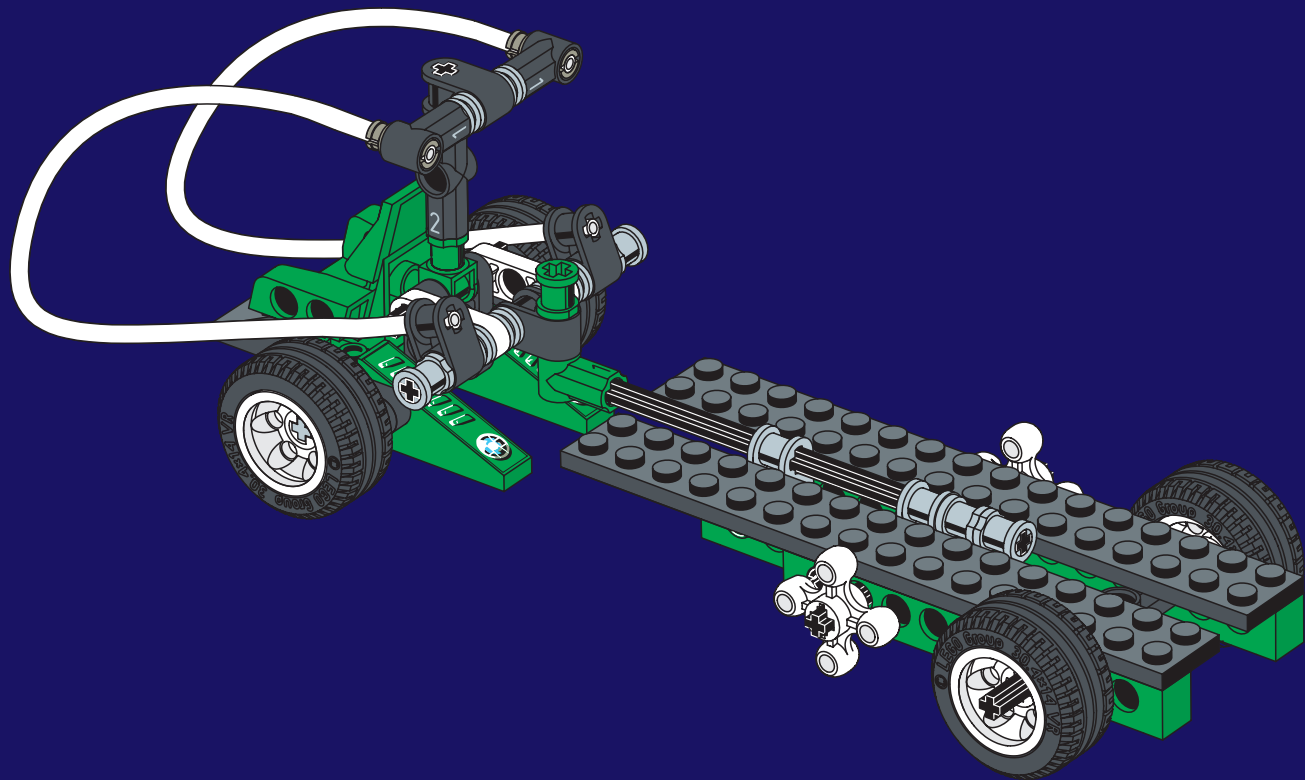


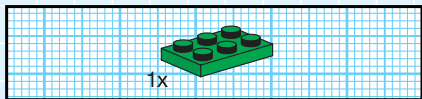
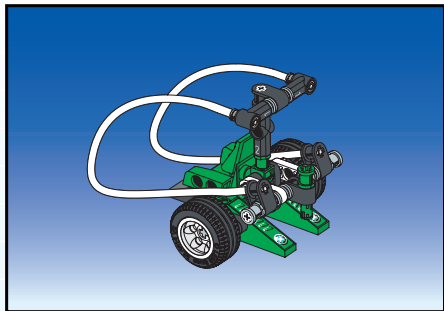
# 21



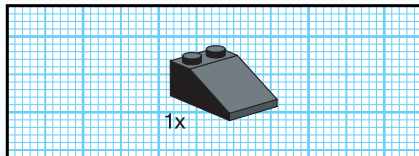
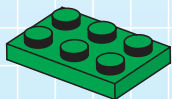




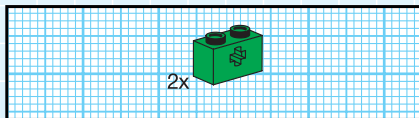
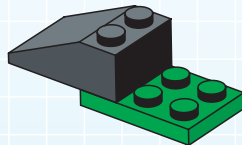




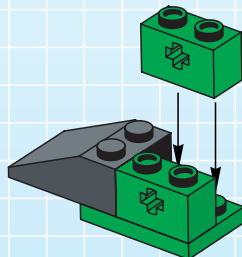
1



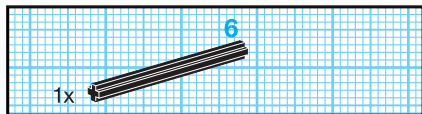
2



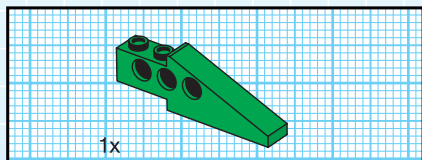
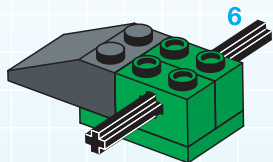
3



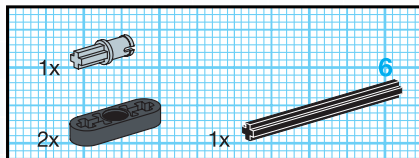
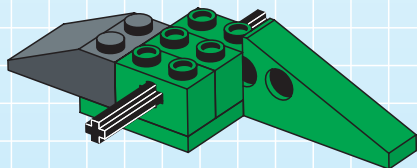




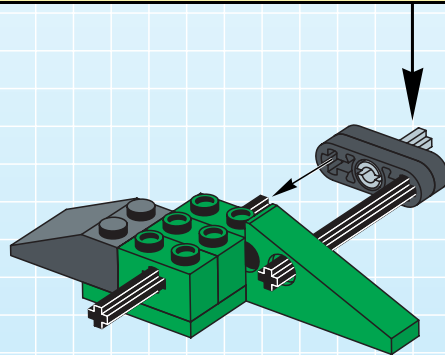
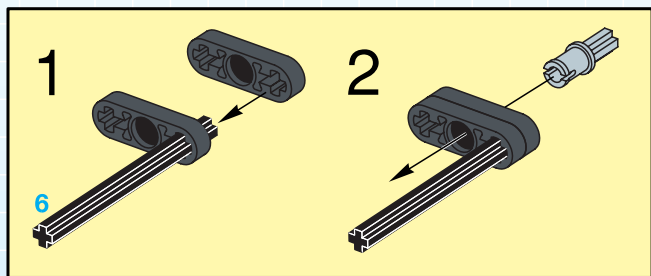
4

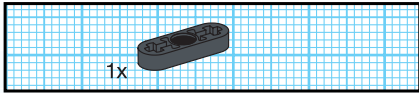


5

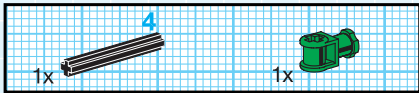
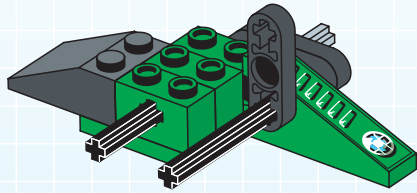


6

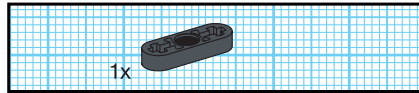
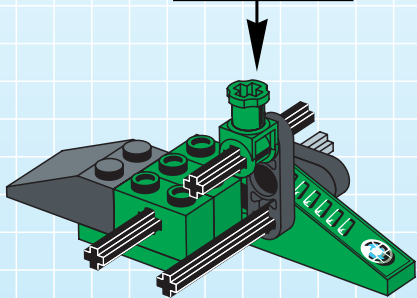
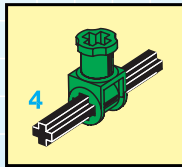




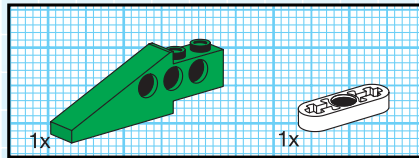
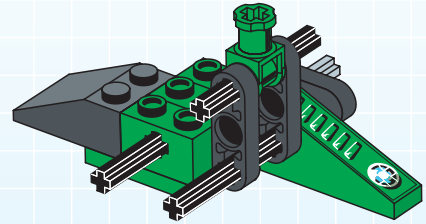
7



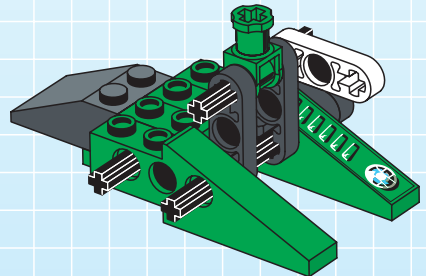
8

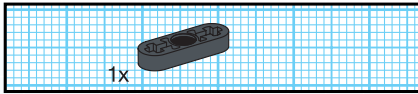


9

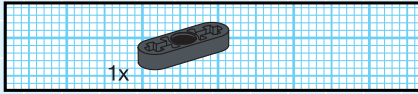
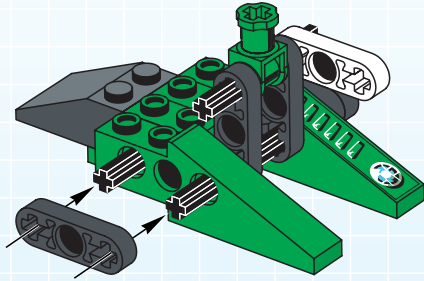


10

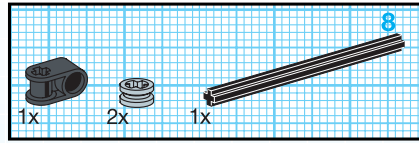
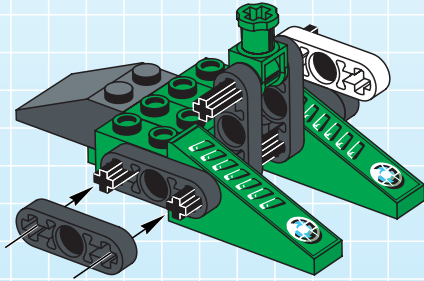




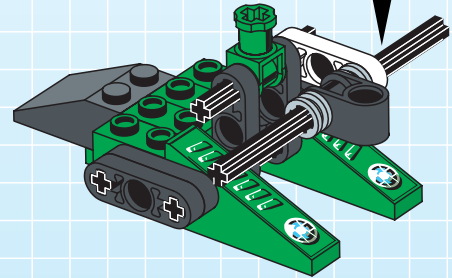
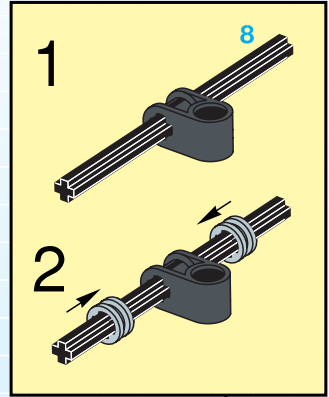
11

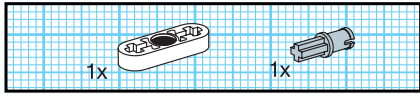


12

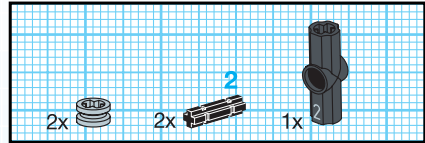
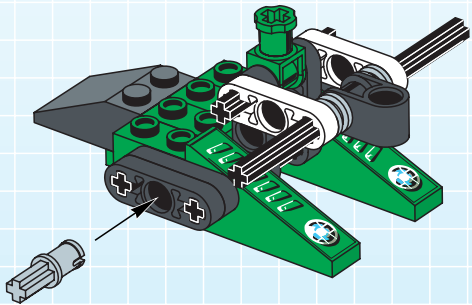


13

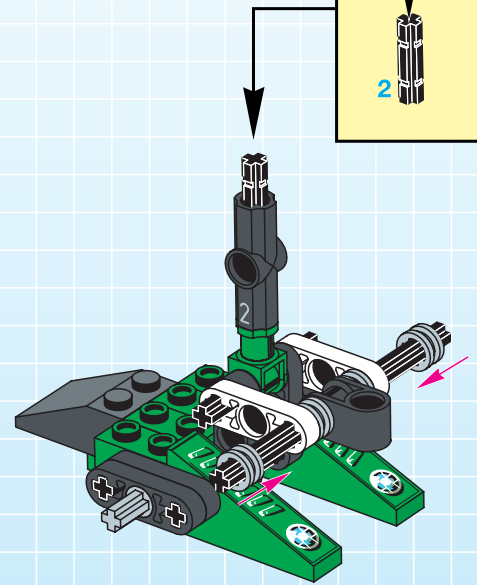
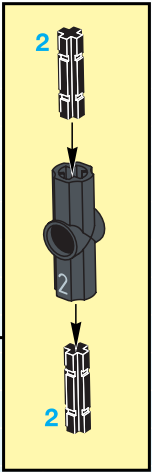


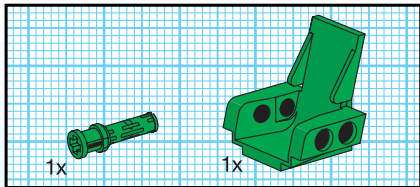


14

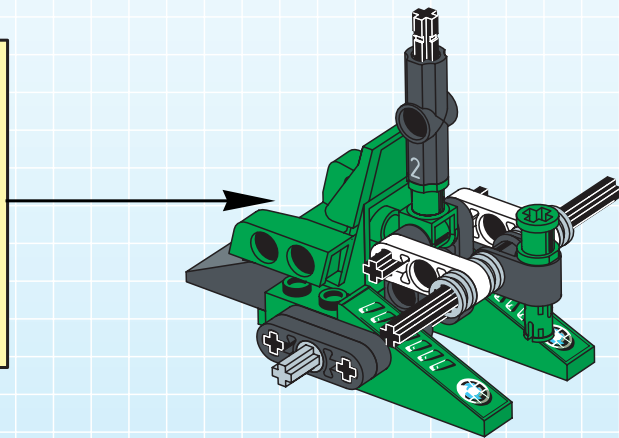
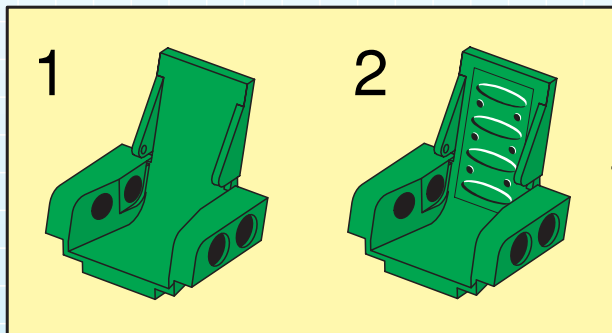


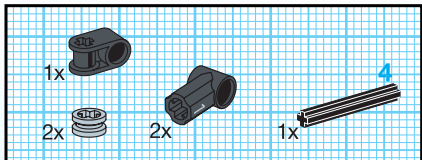
15



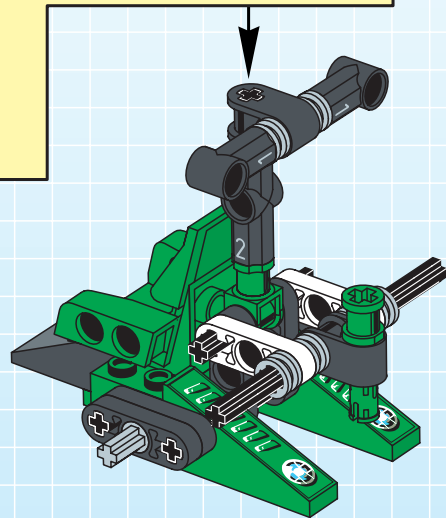
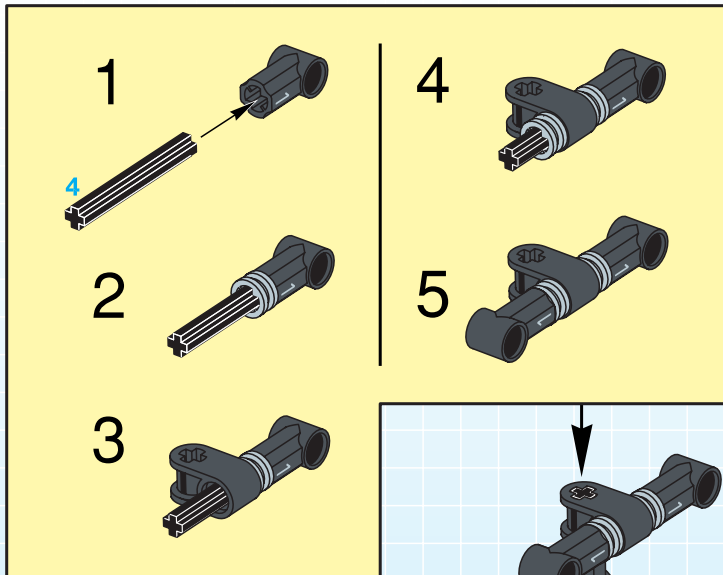


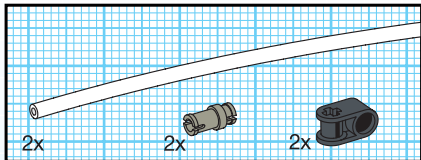
# 16



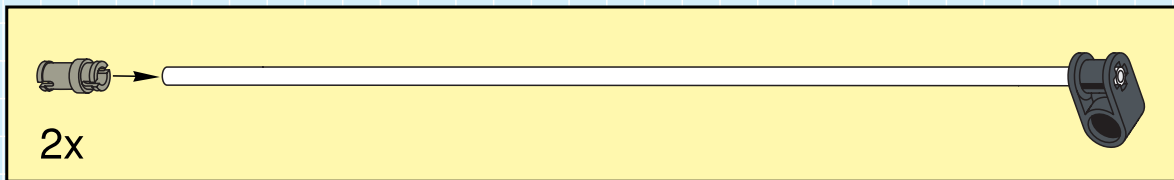
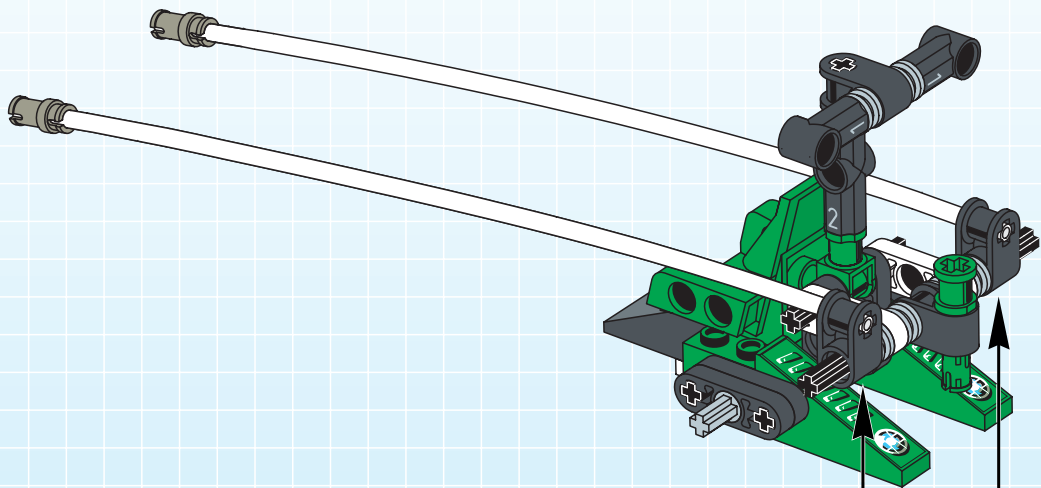


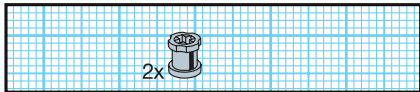
17



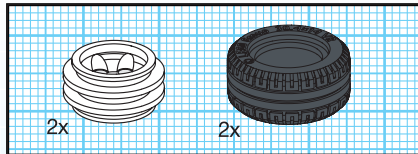
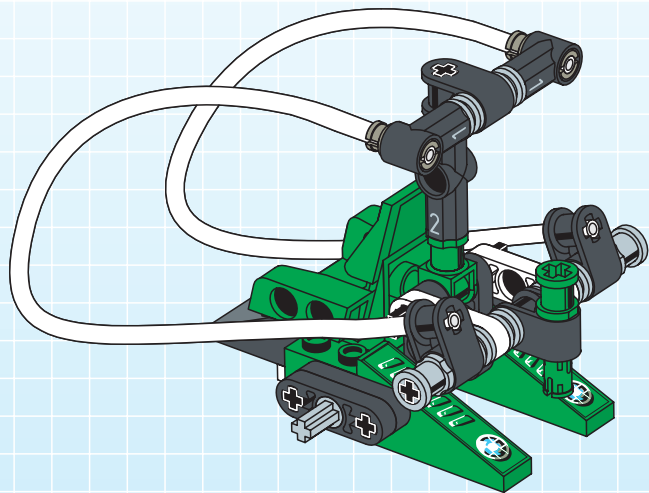


18

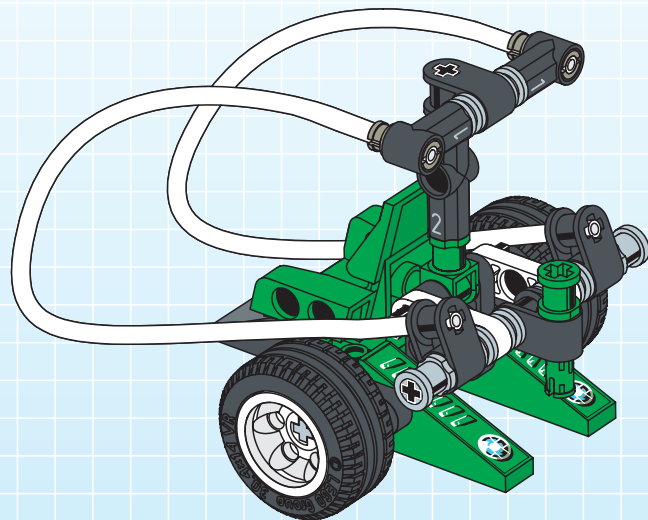




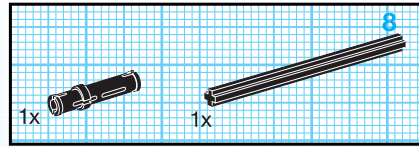
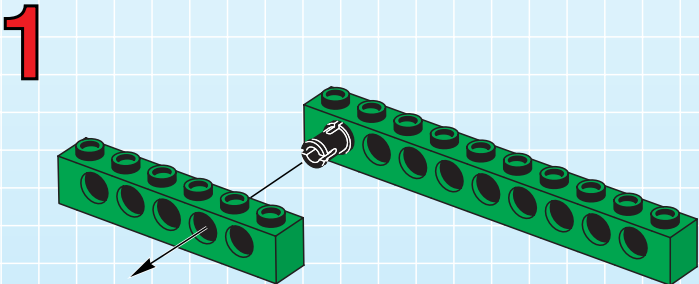
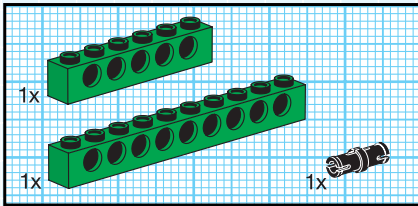
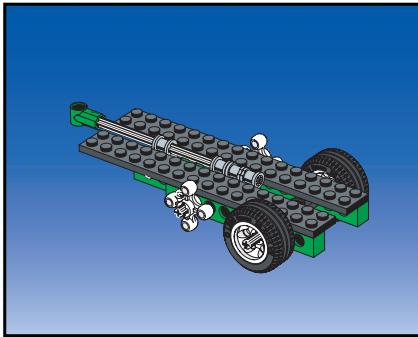
19



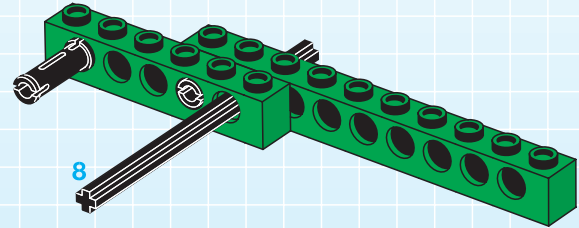
20

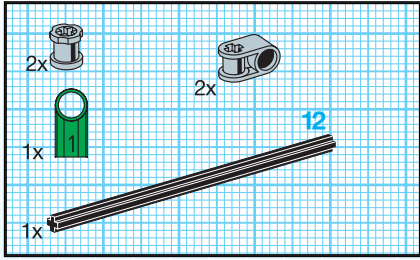




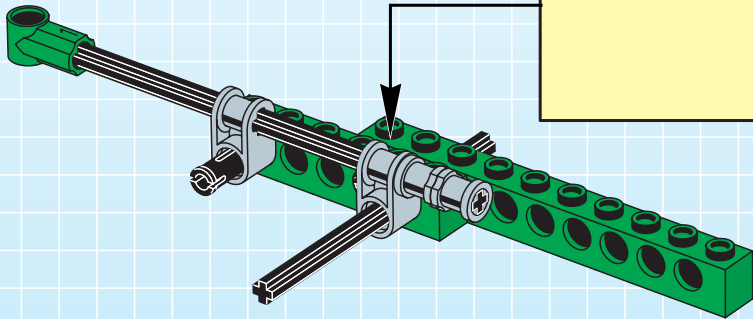
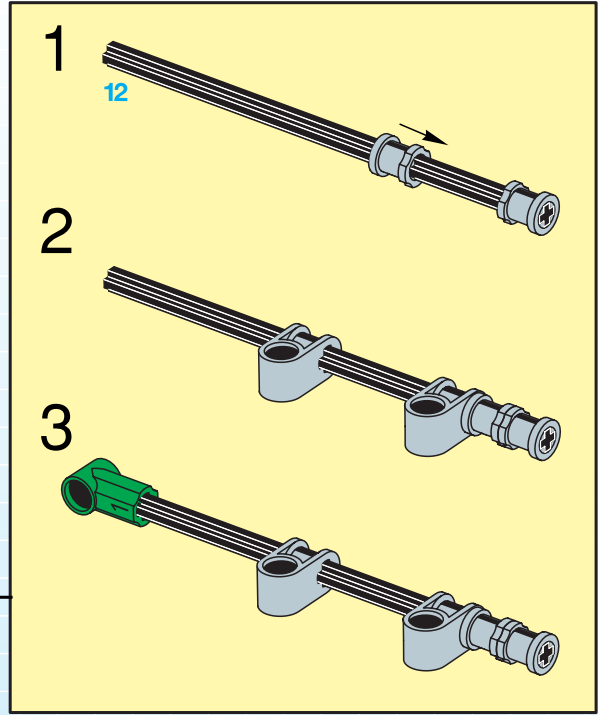


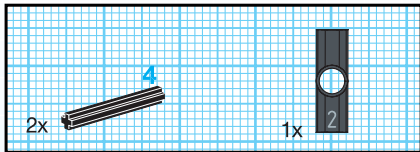
2



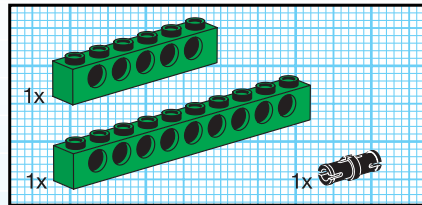
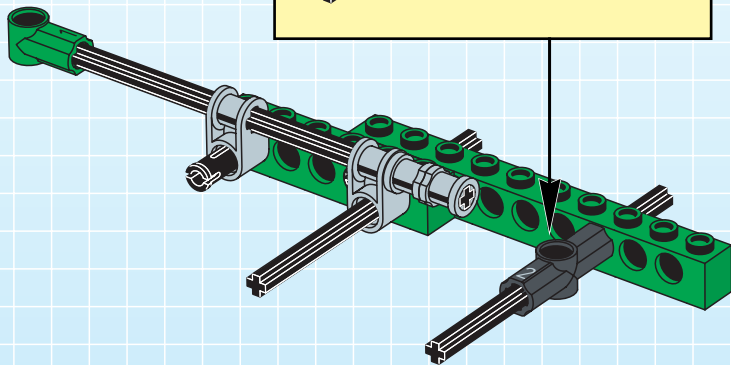
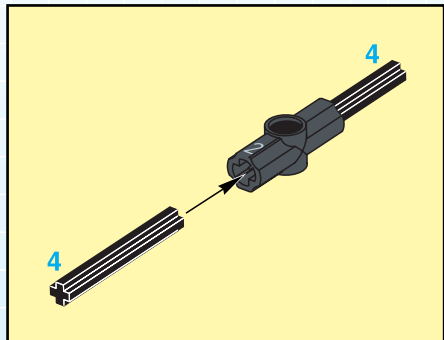


3

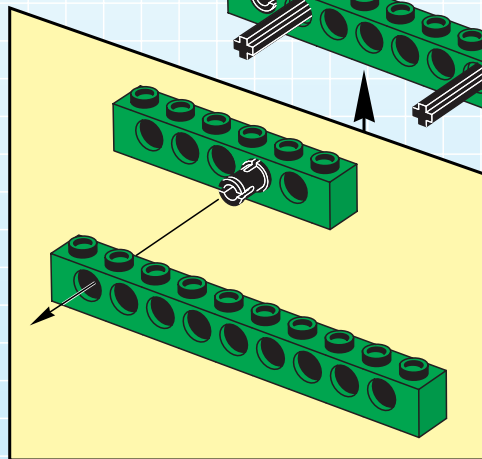
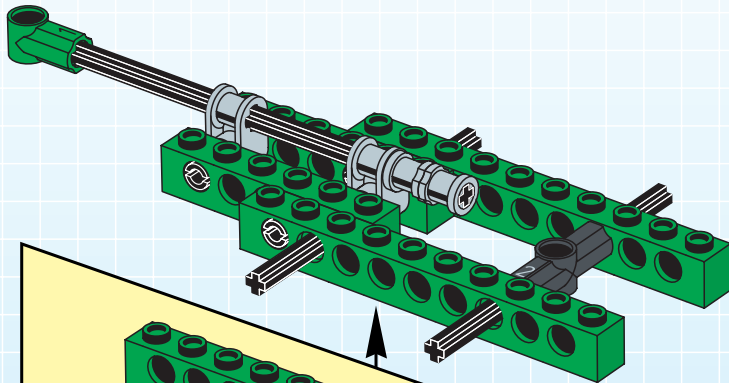


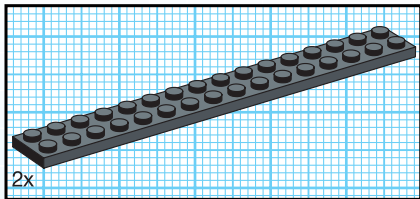


**4**

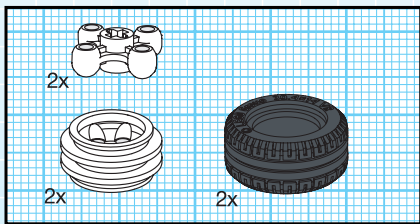
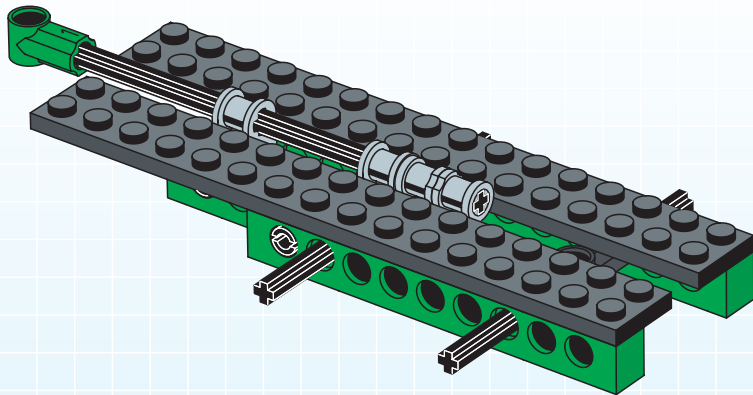


**5**

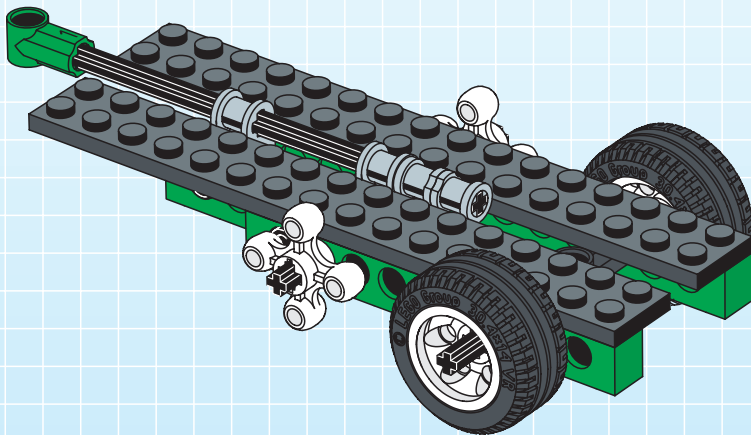


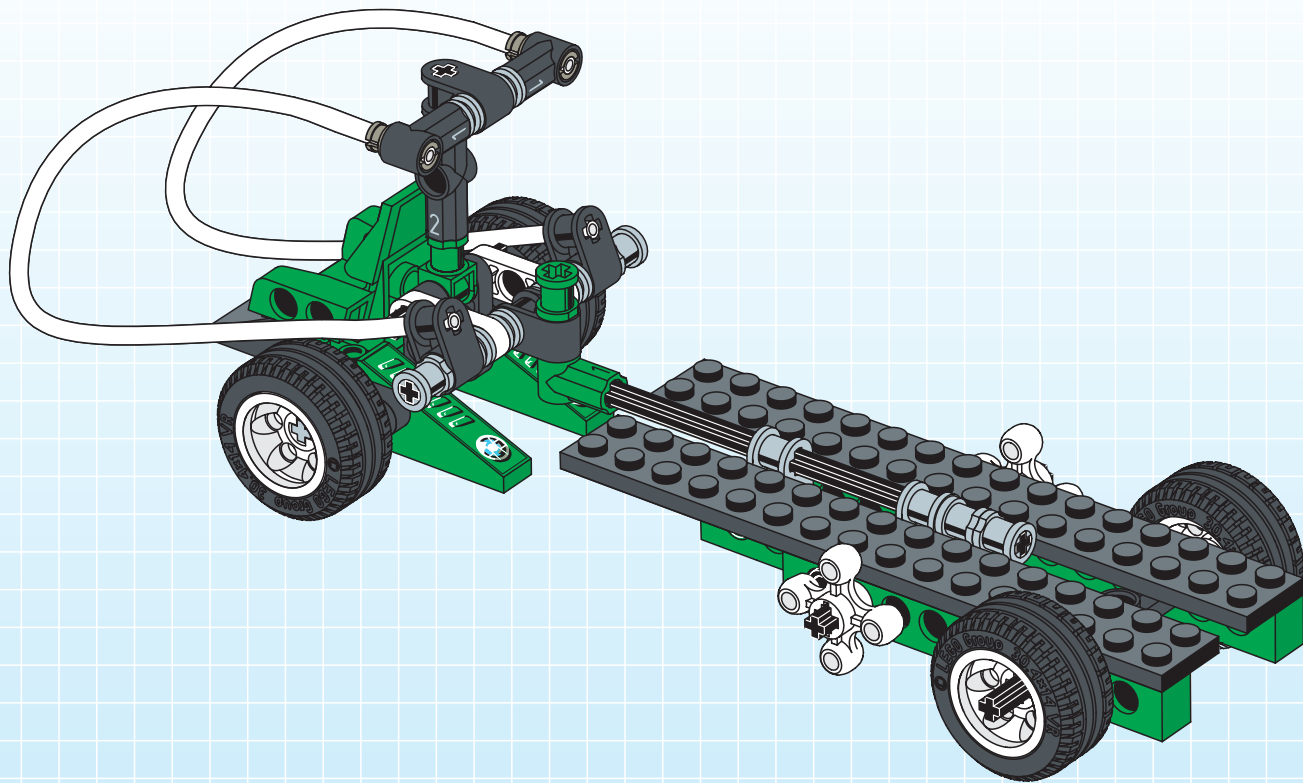


6

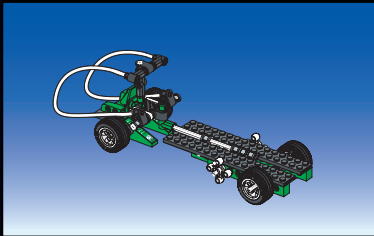


7

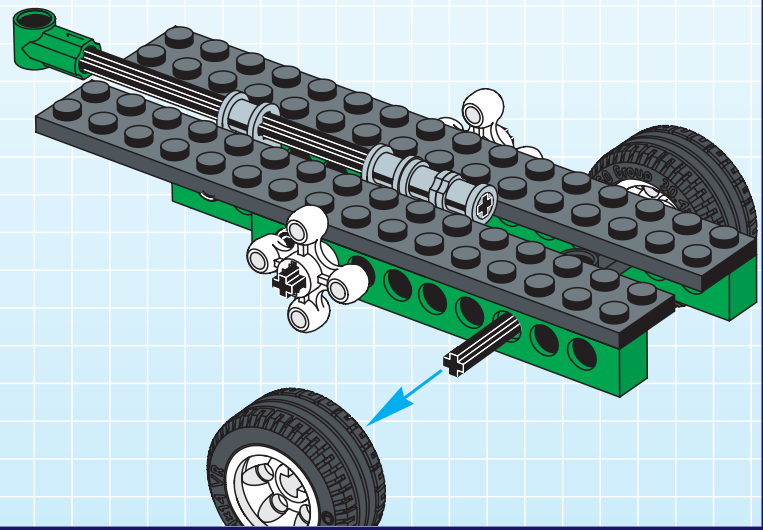
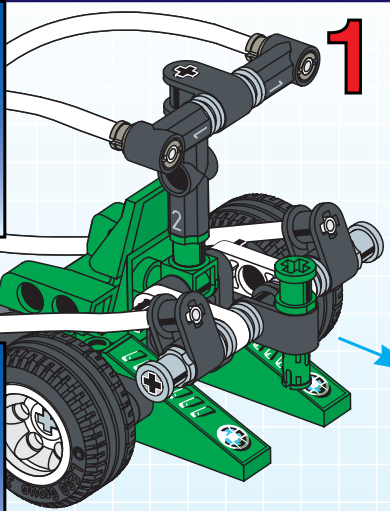
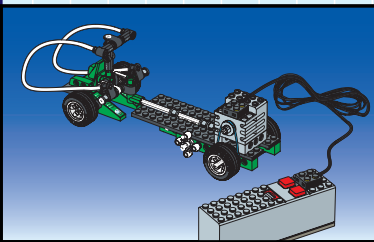


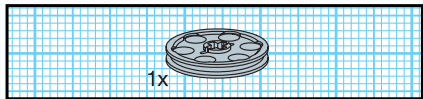


8213 +8735

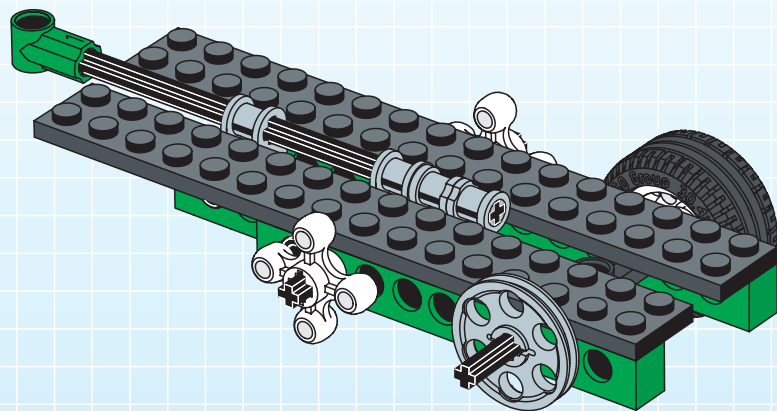


=

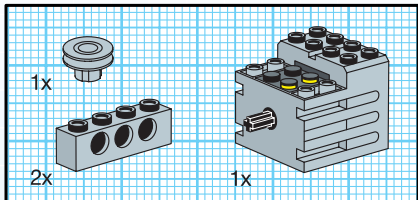




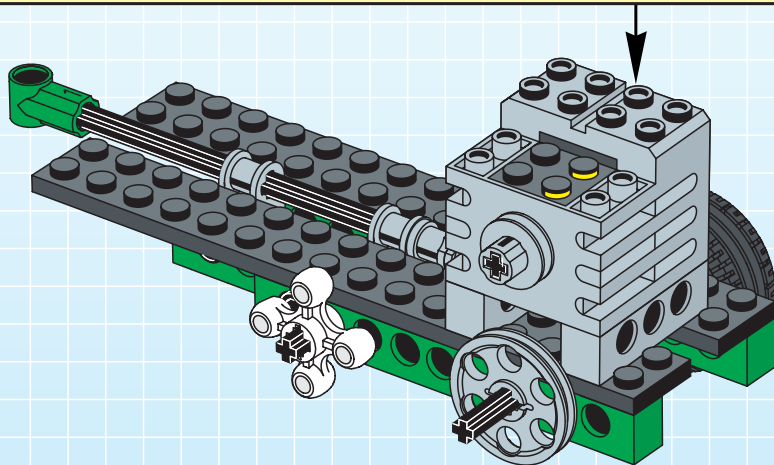
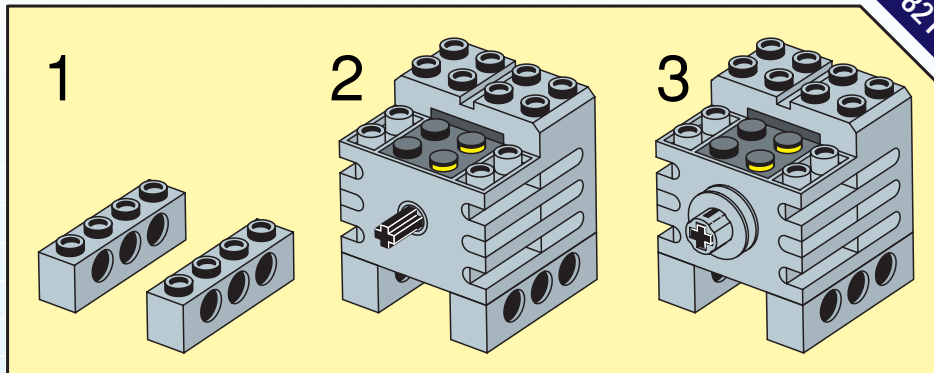
2



8213+8735



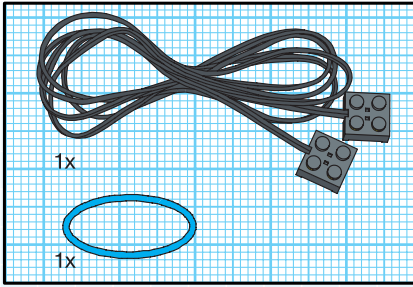
3



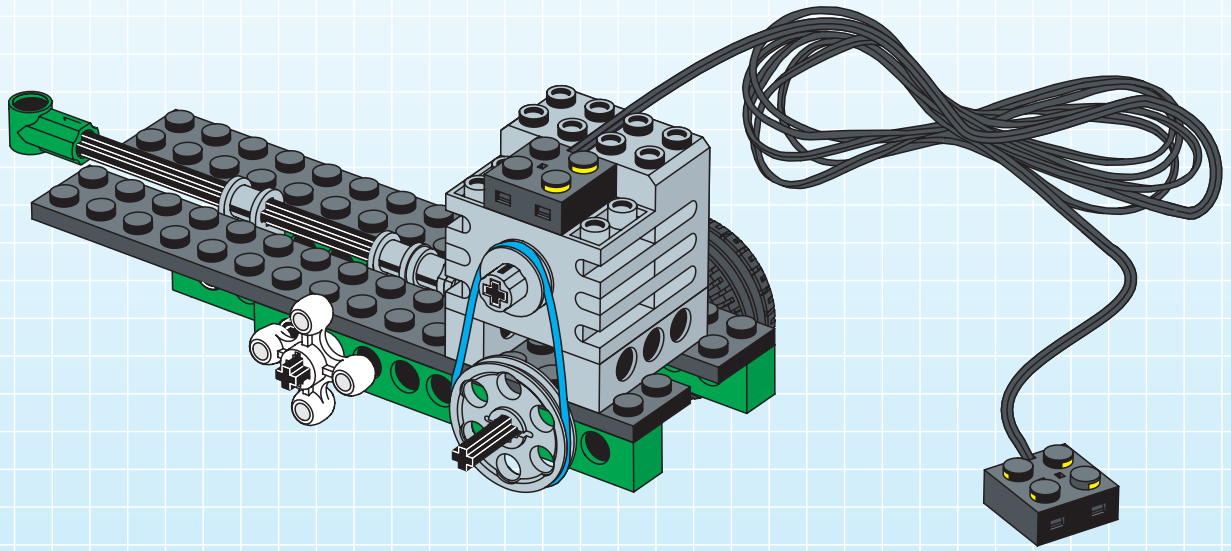
8213 + 8735

LEGO parts 8213 and 8735 are shown in the top right corner.

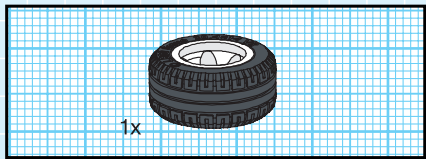
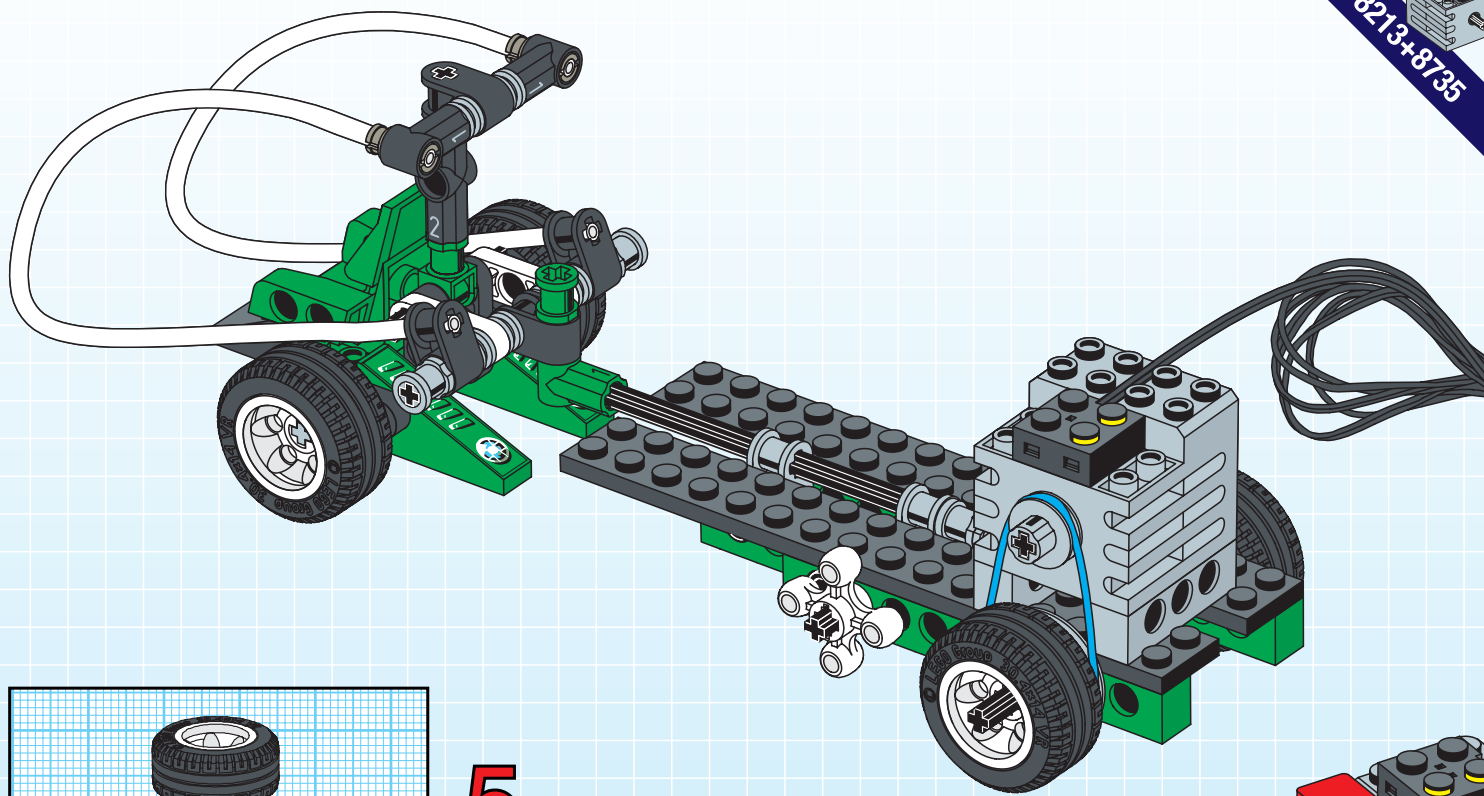




4



8213+8735



5



