

# BIONICLE®

BARRAKI DEEPSEA PATROL

[www.BIONICLE.com](http://www.BIONICLE.com)



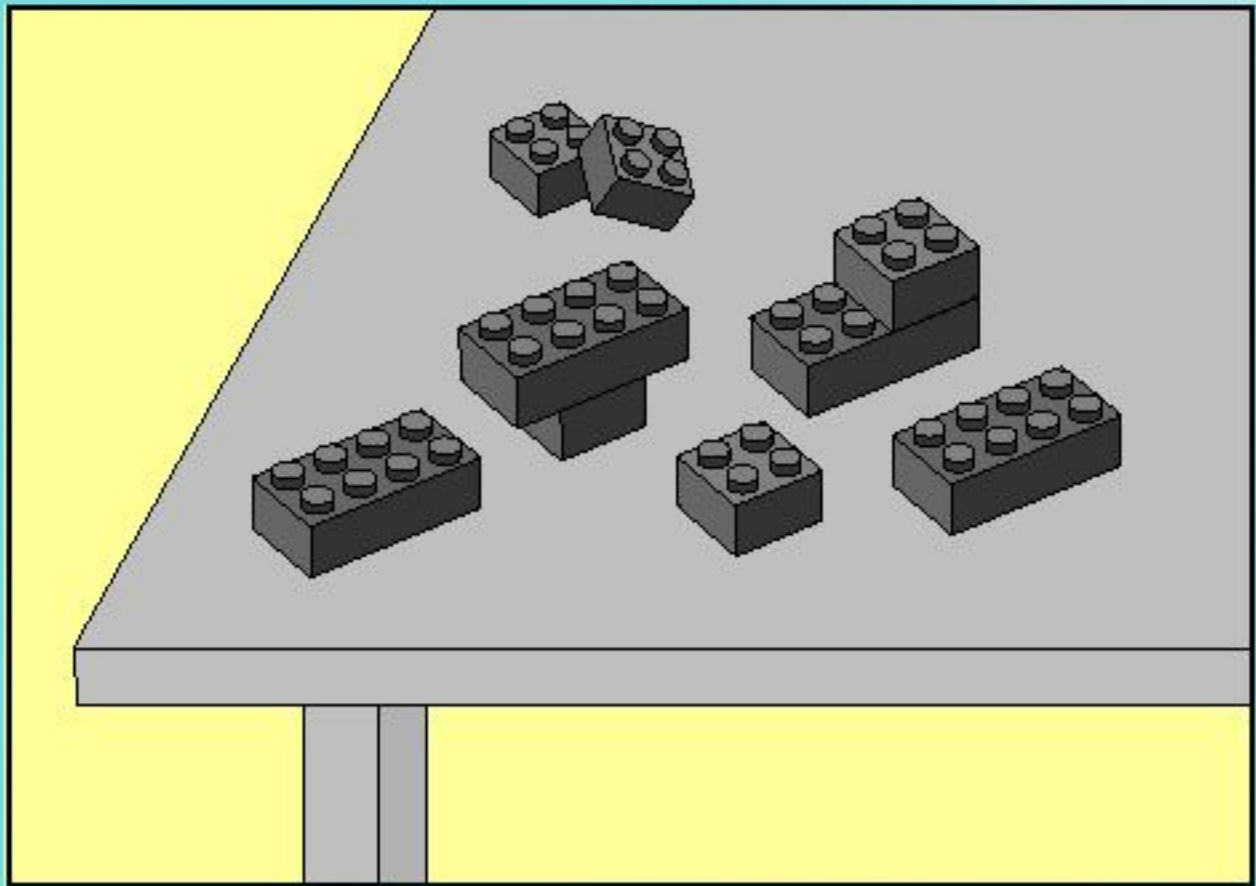
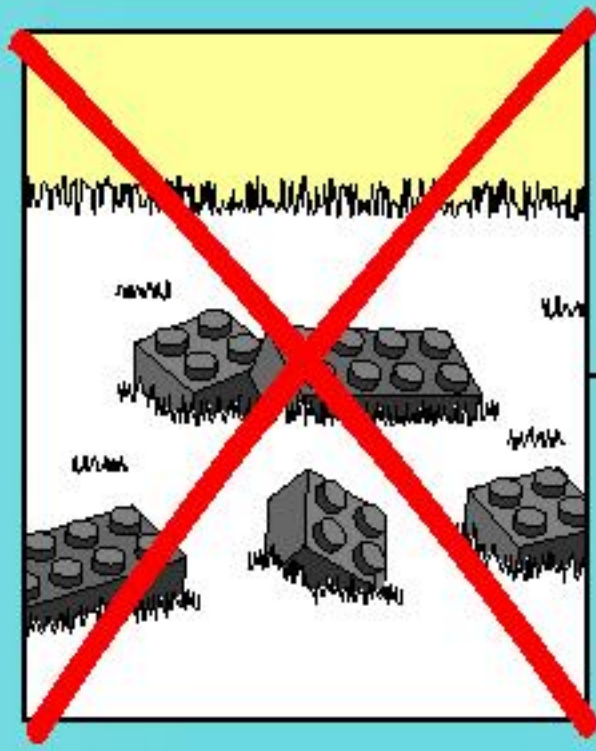
8925

LEGO

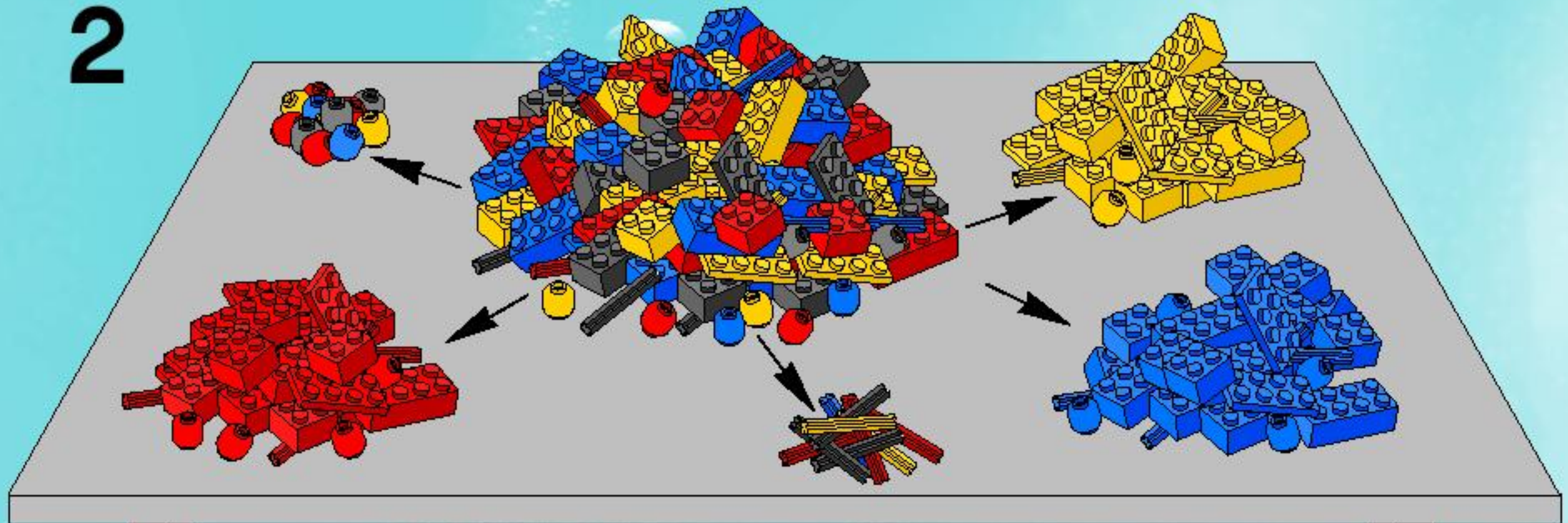
4513587



1

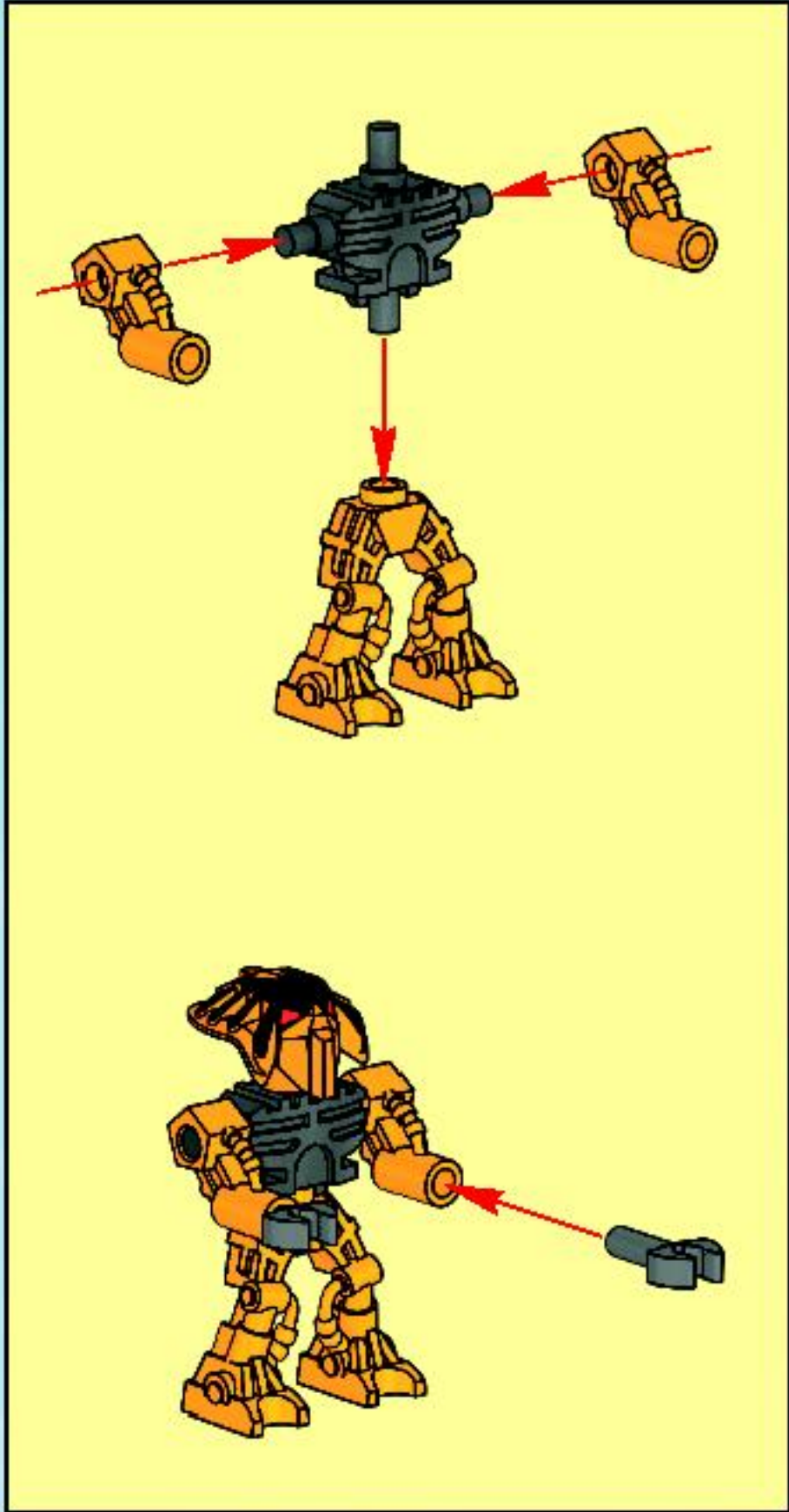


2



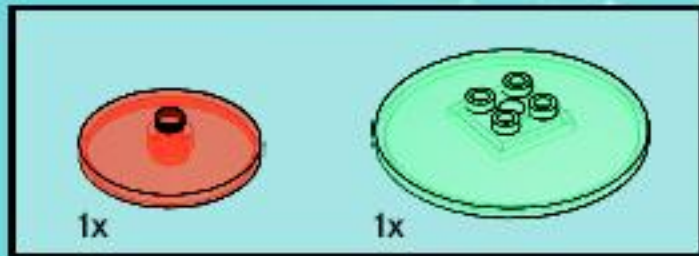


3

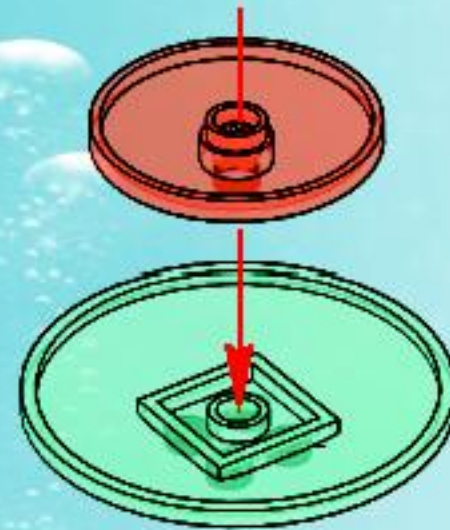


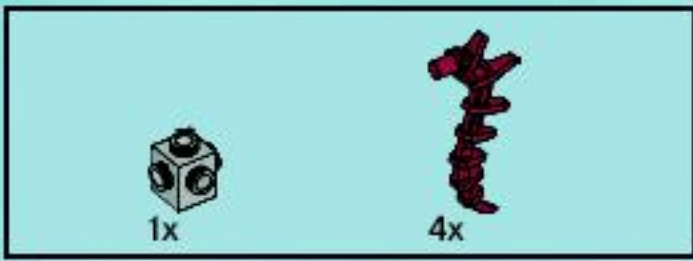


4

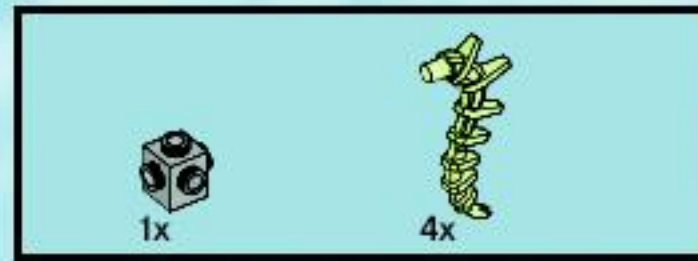
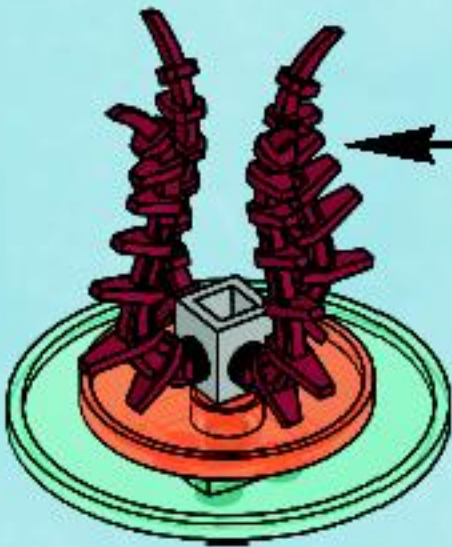
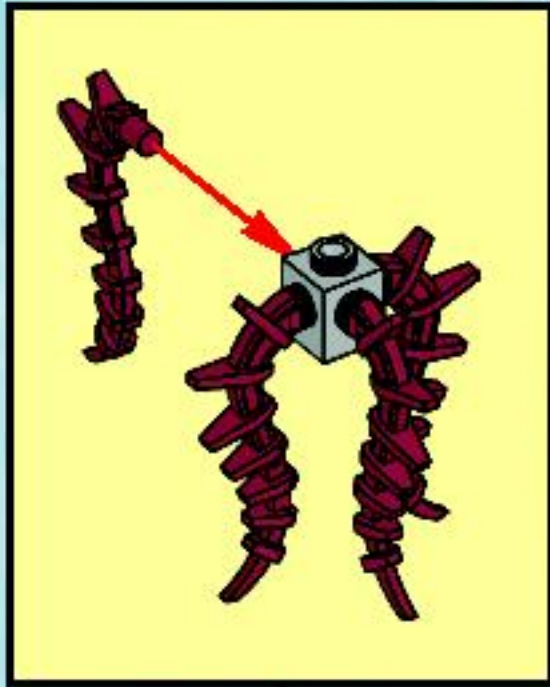


1

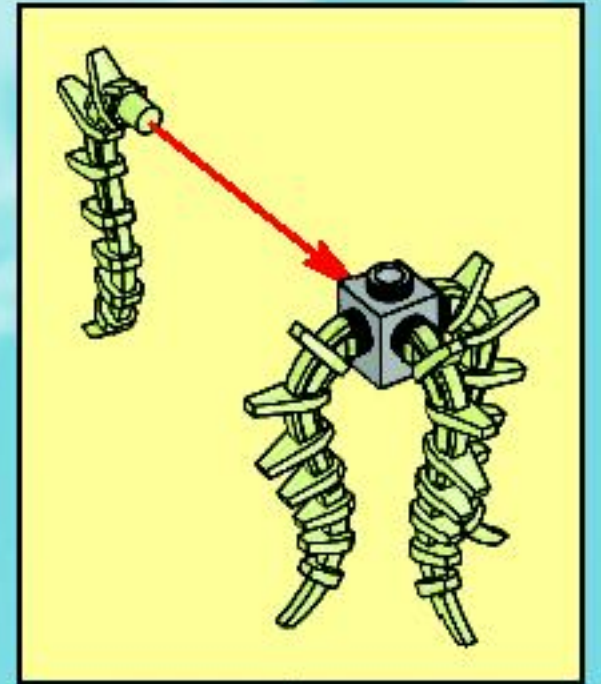




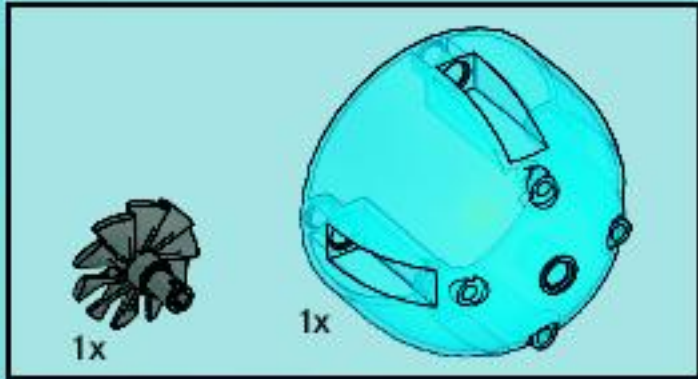
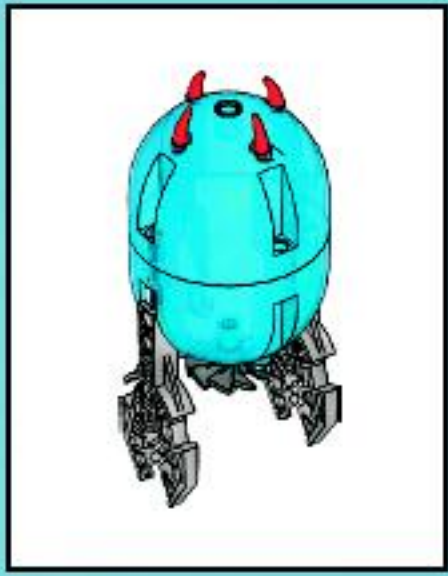
2



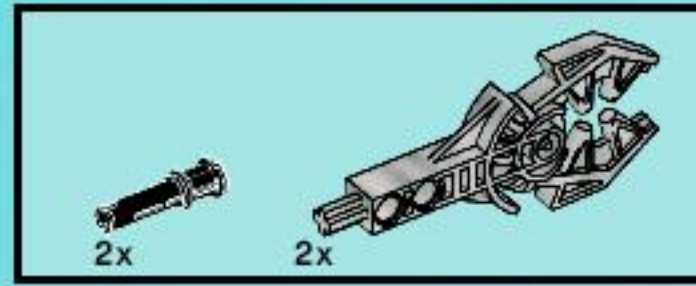
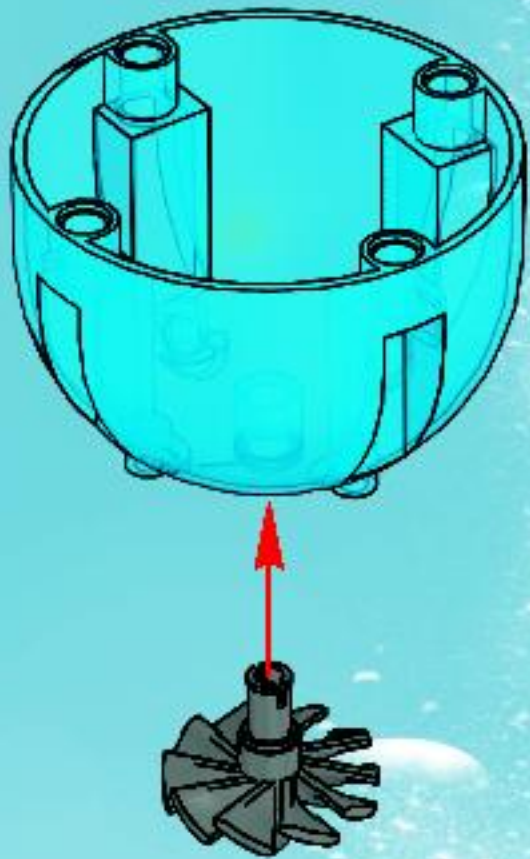
3



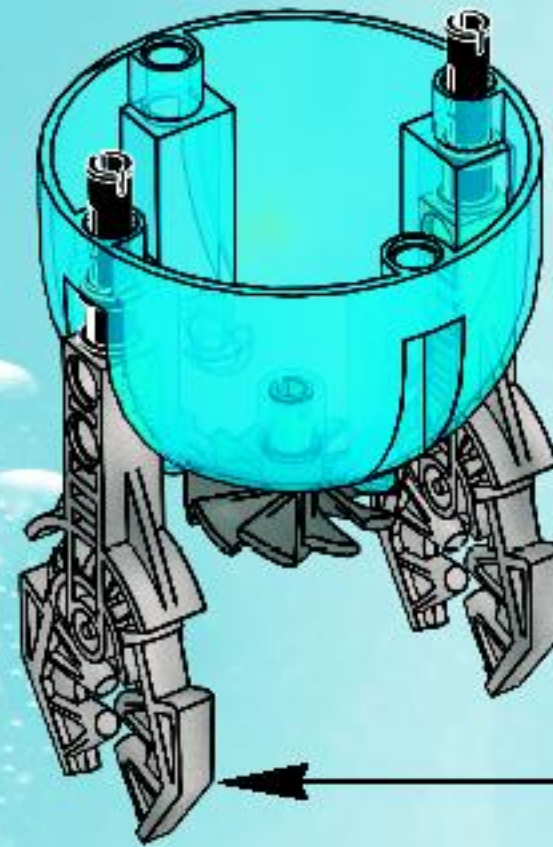
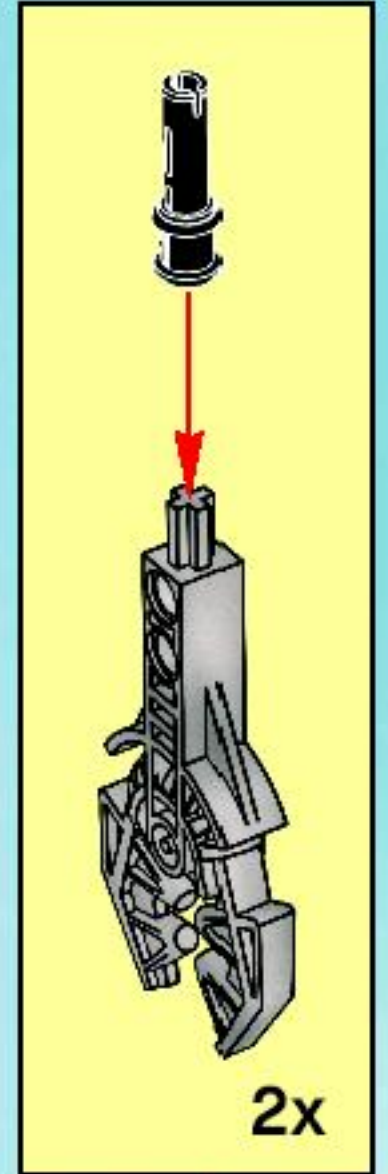




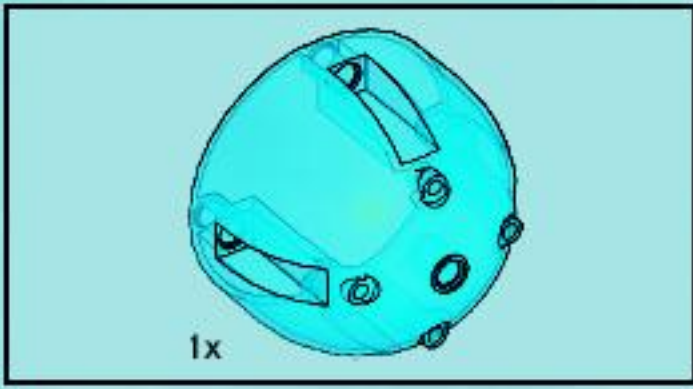
1



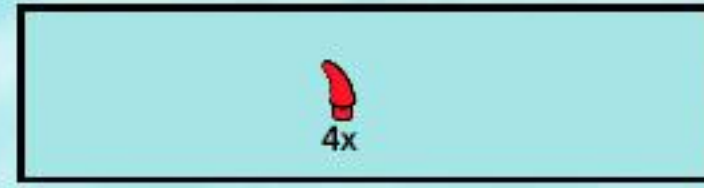
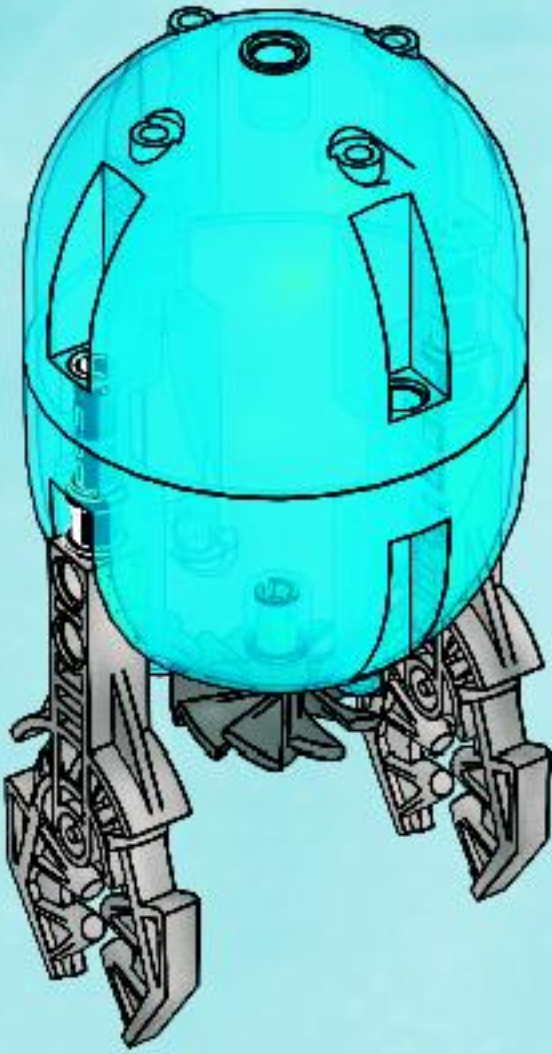
2



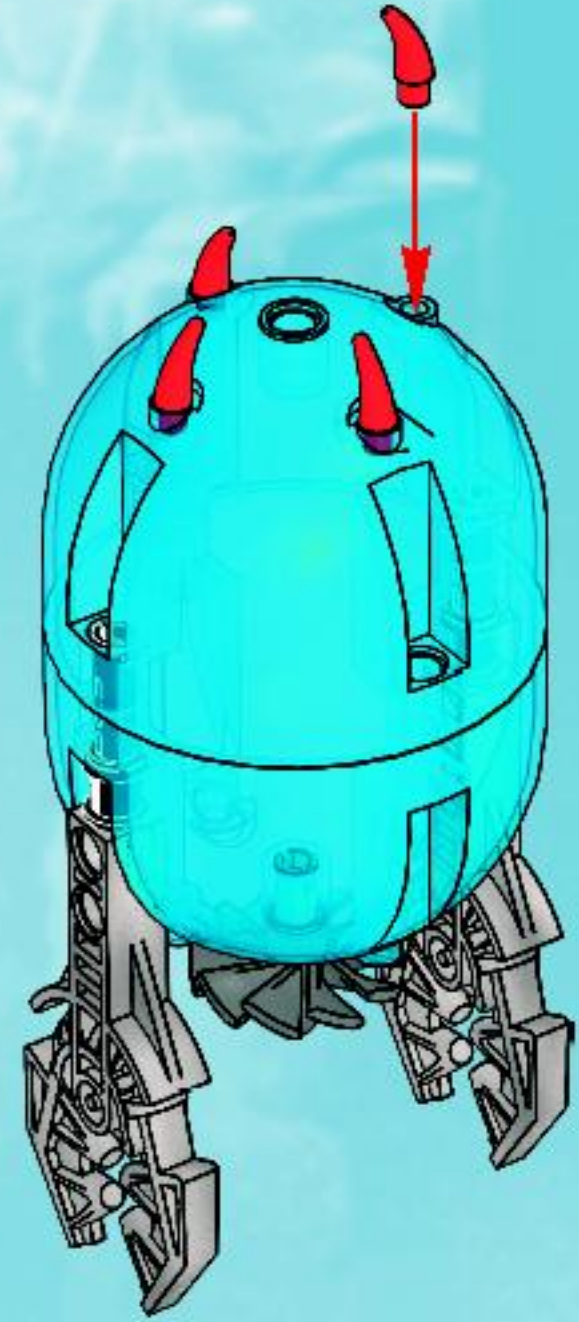


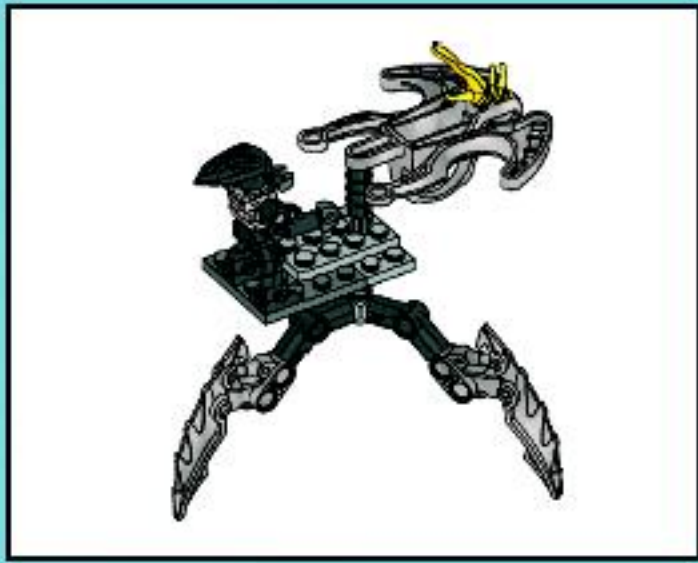


3

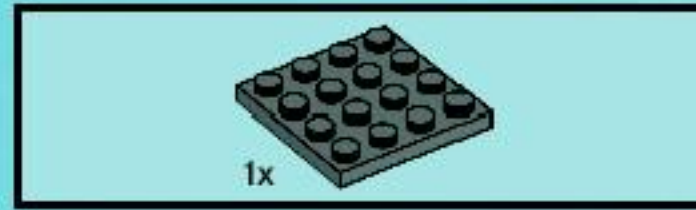


4

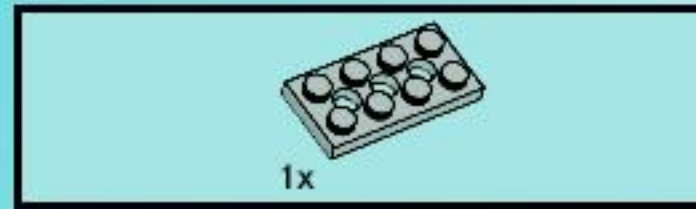




**1**



**2**

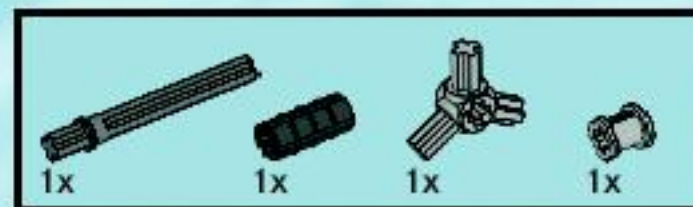
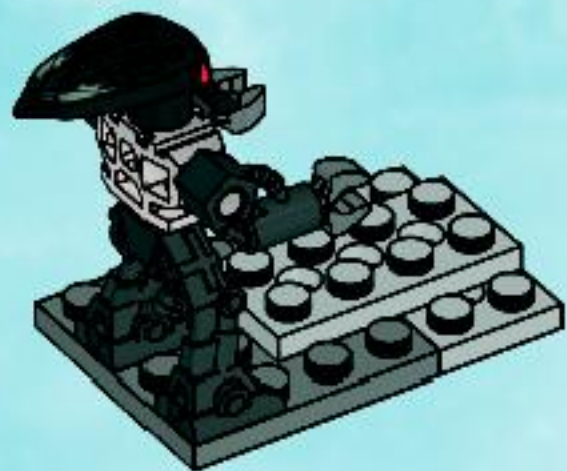


**3**

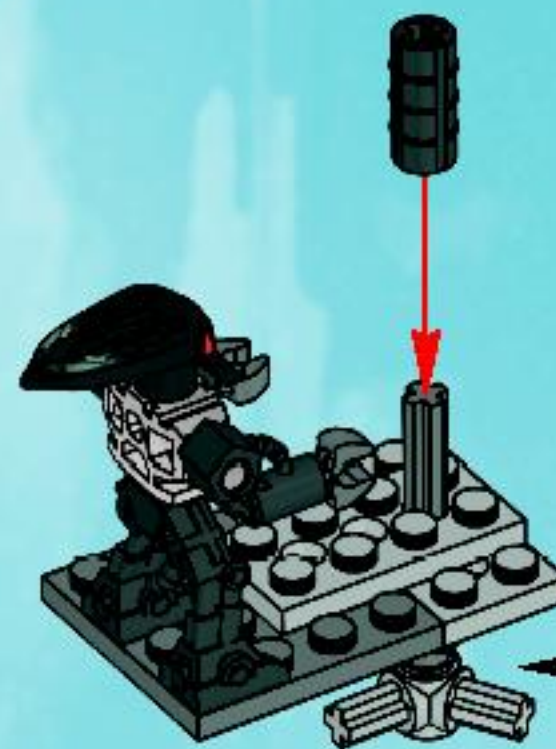
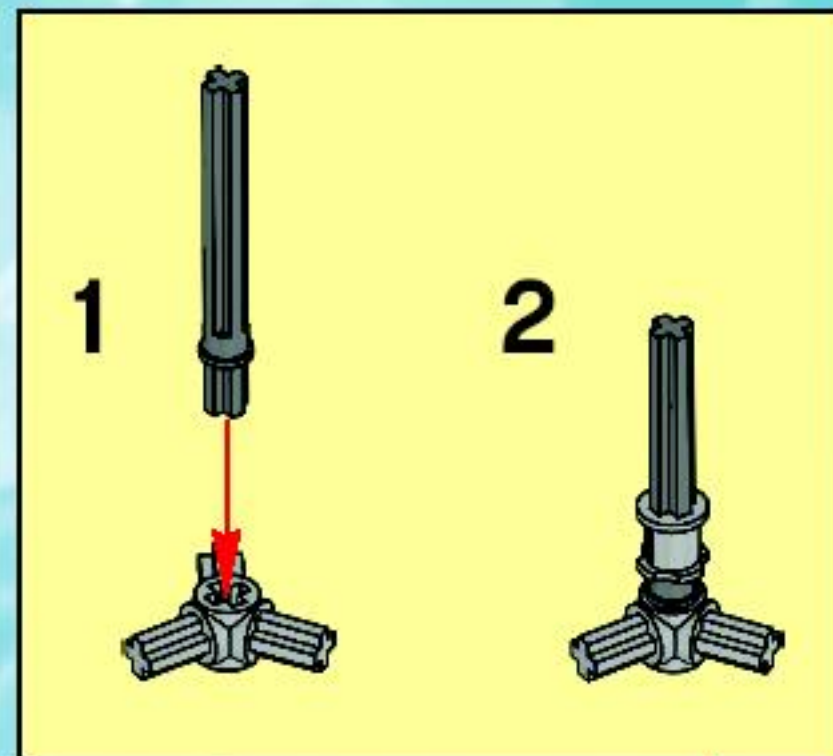




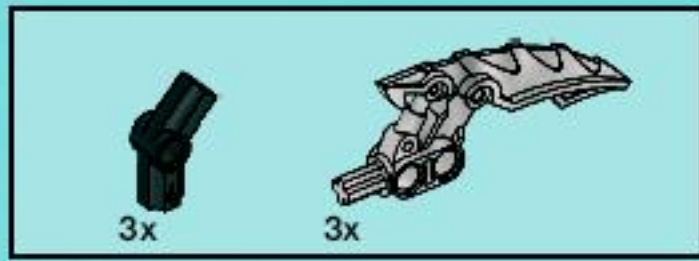
4



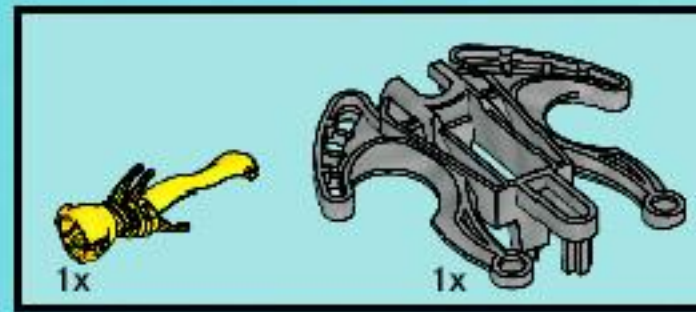
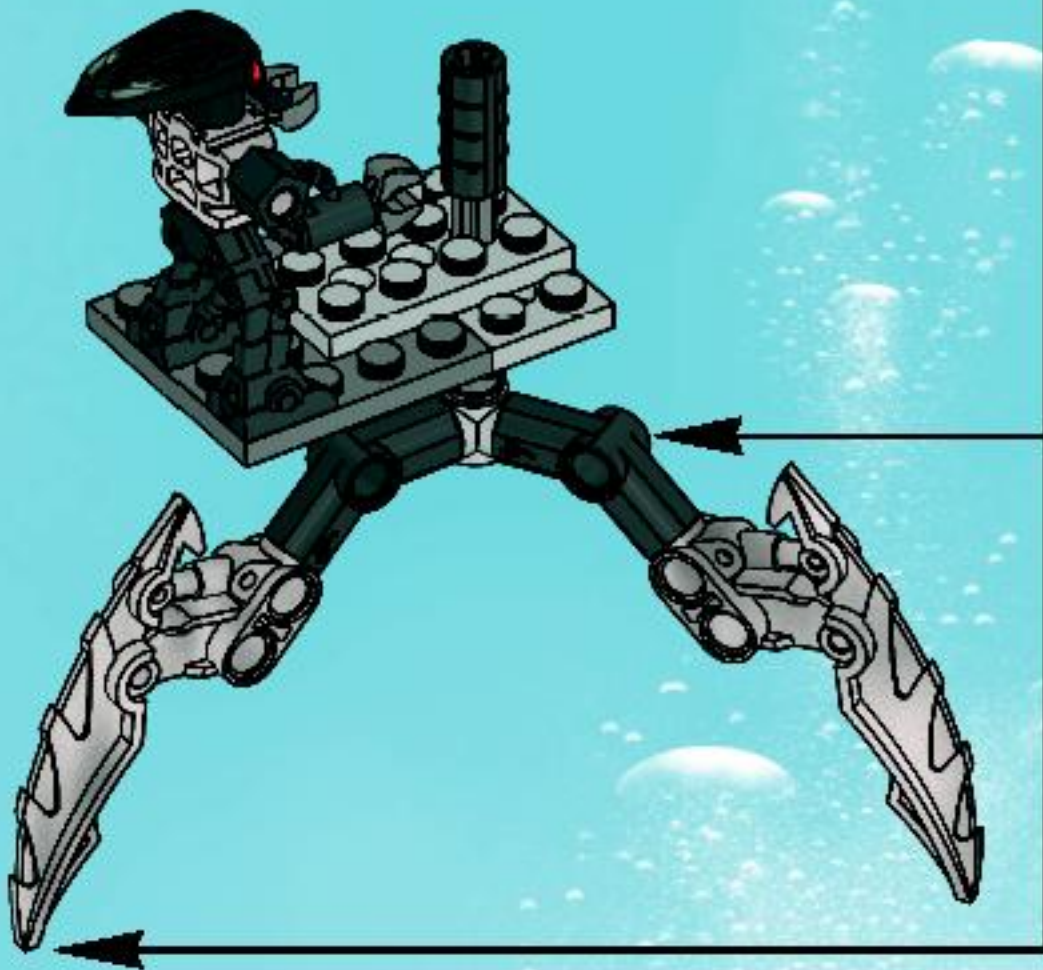
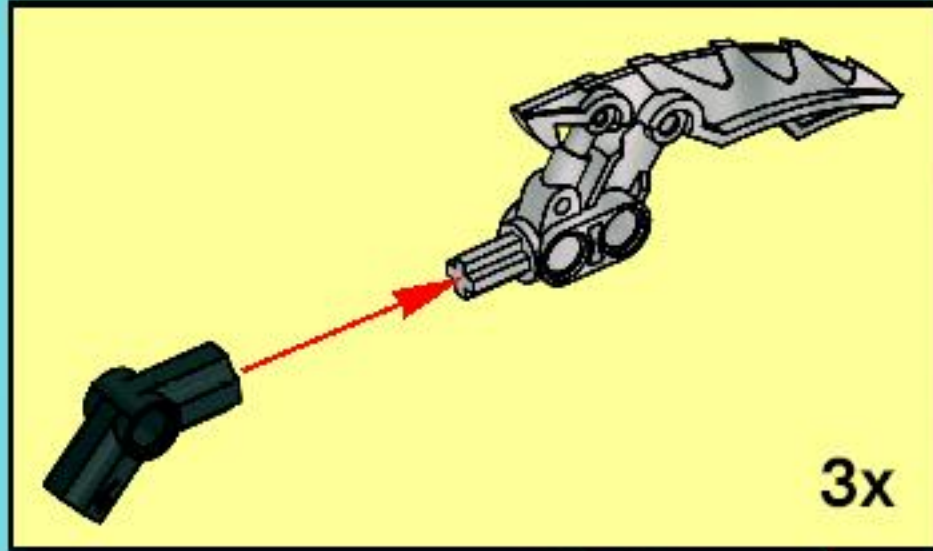
5







6



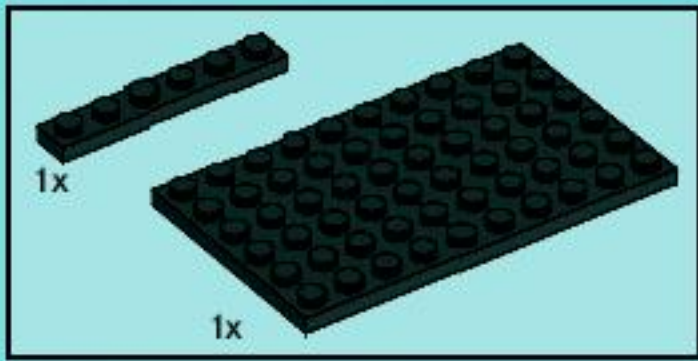
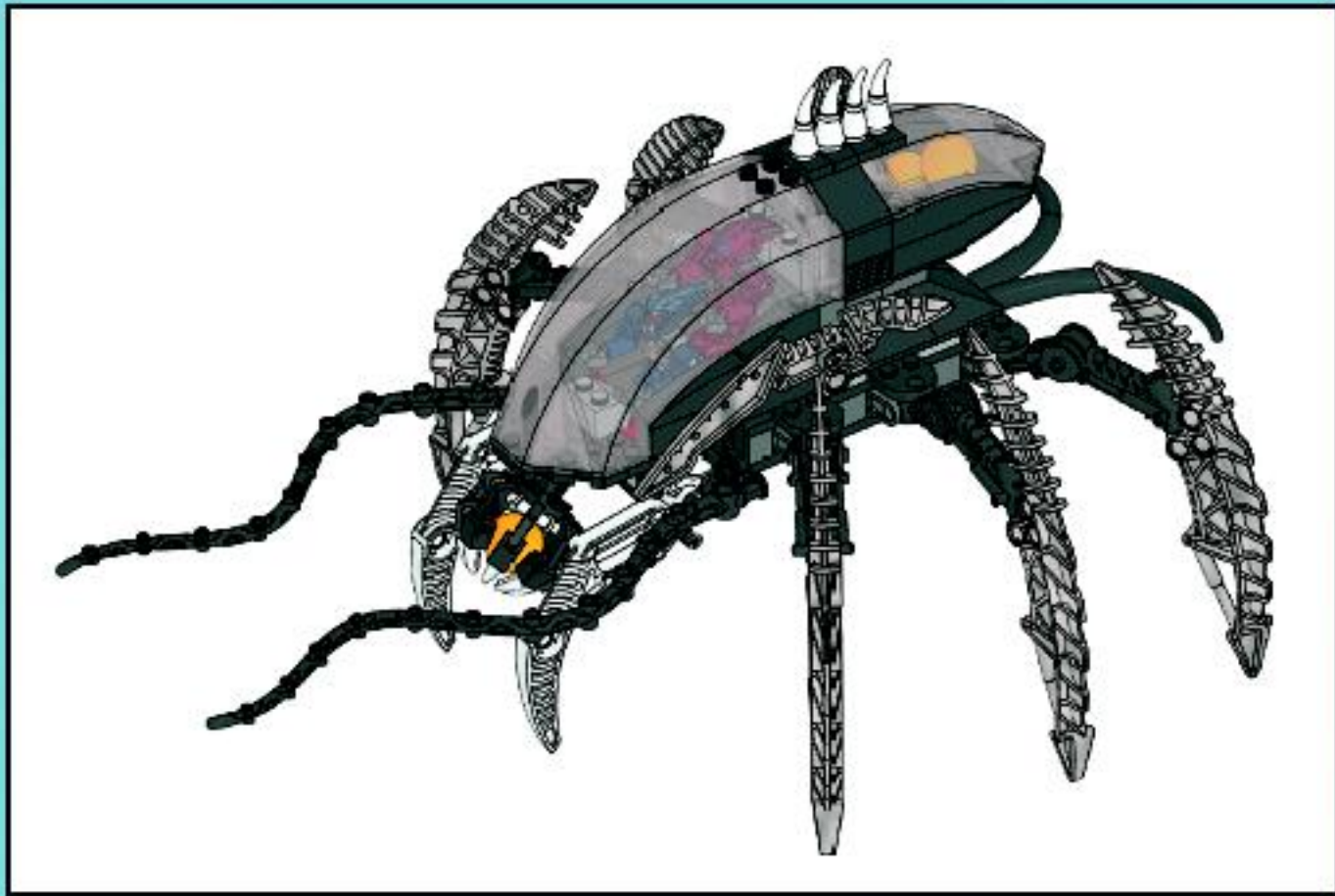
7



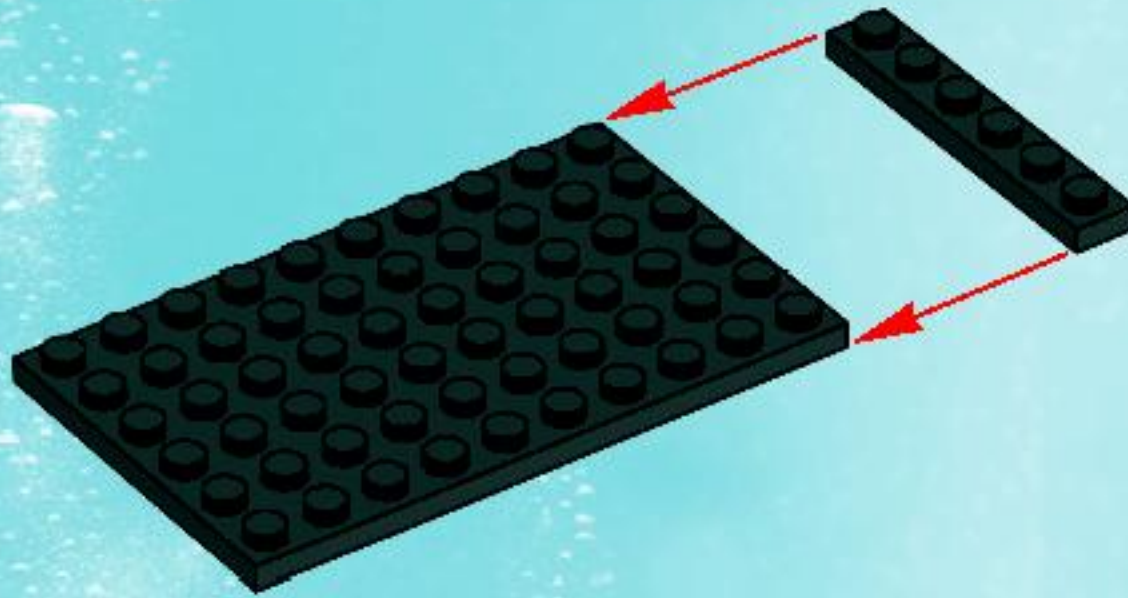




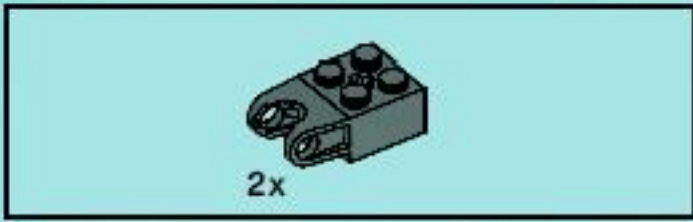




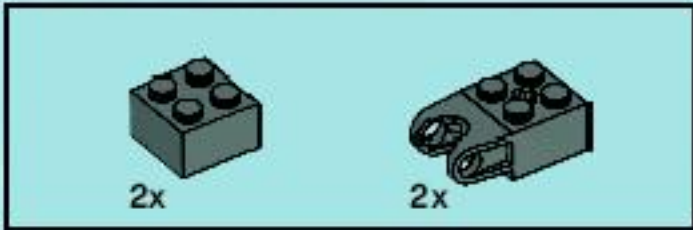
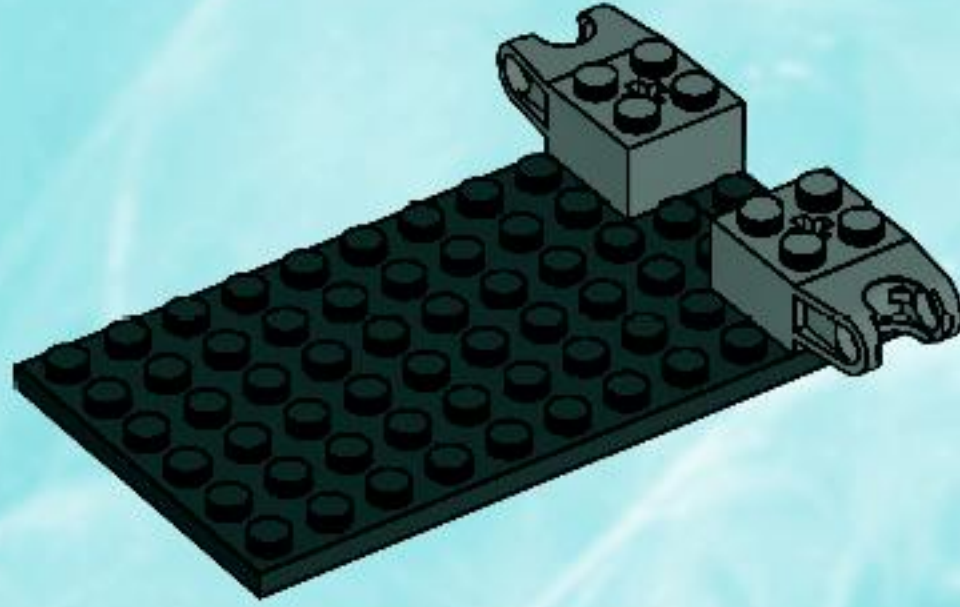
1



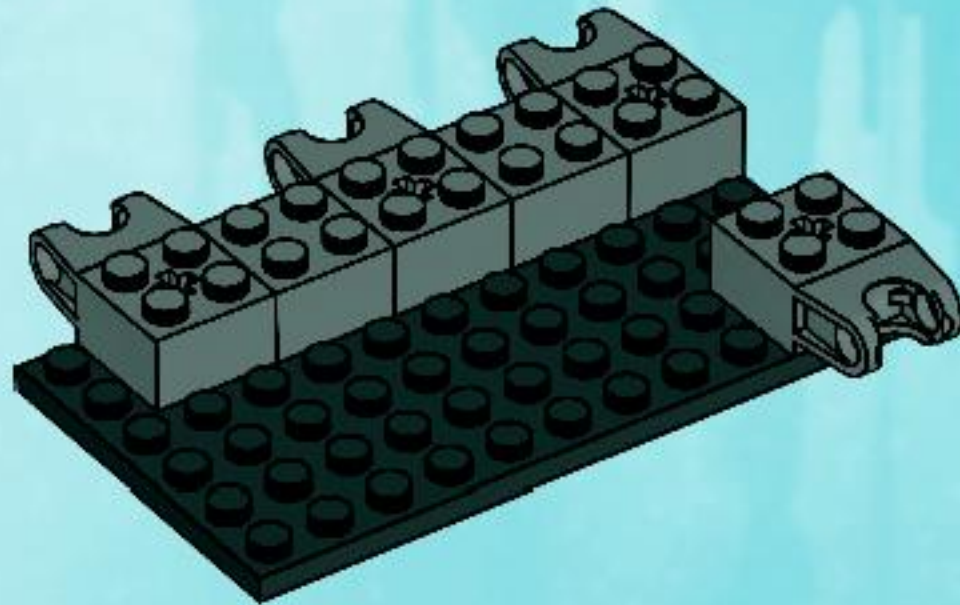




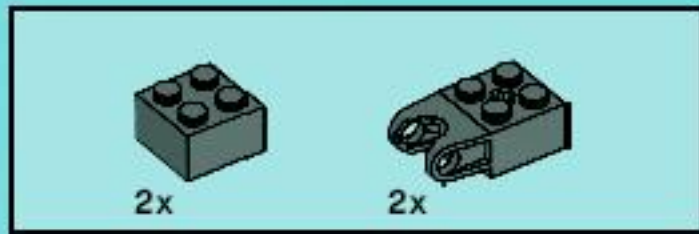
2



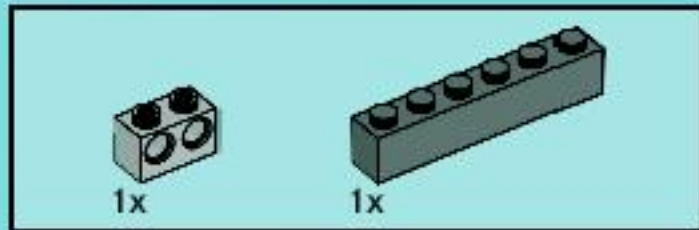
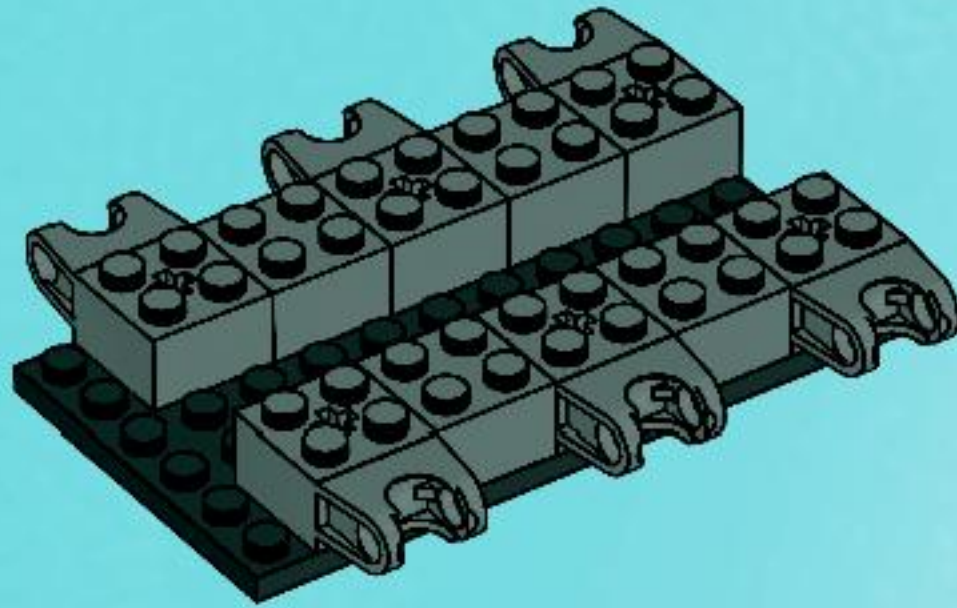
3



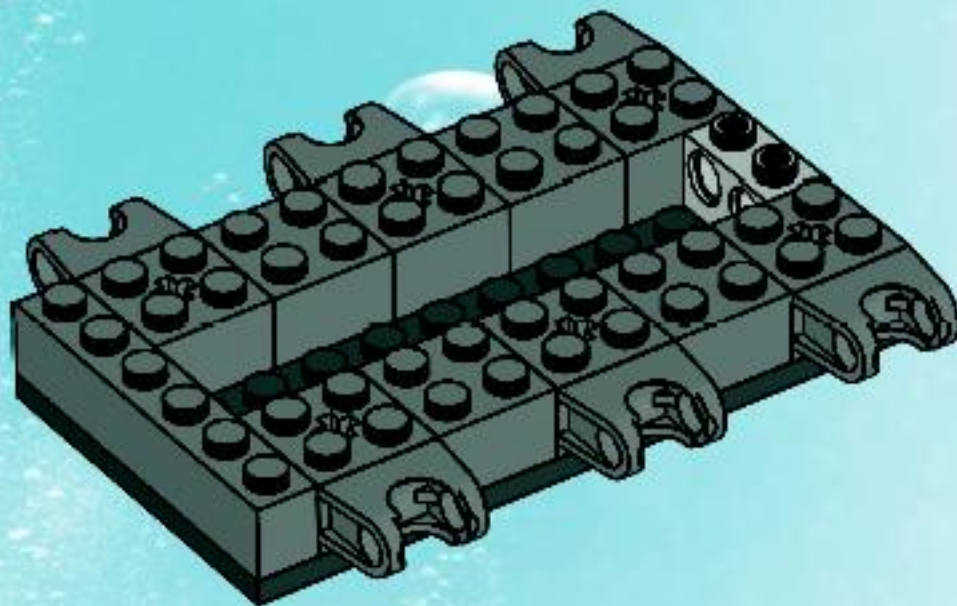




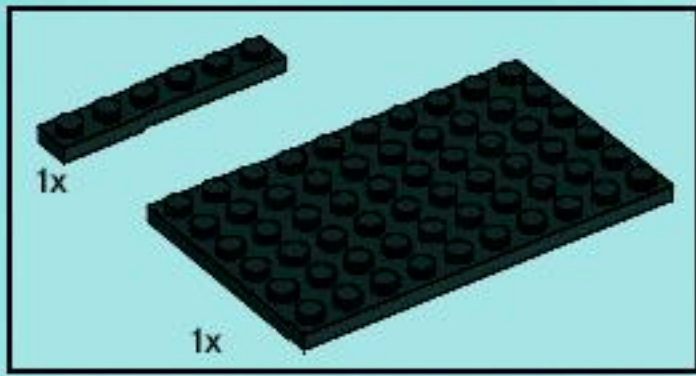
4



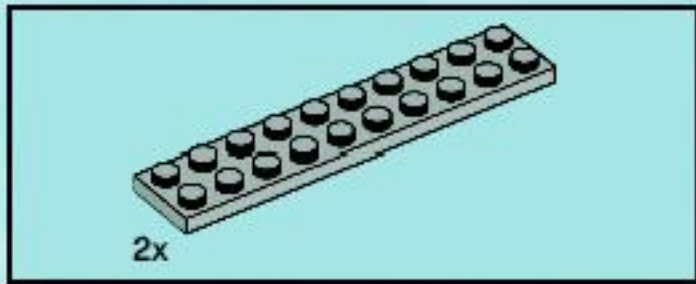
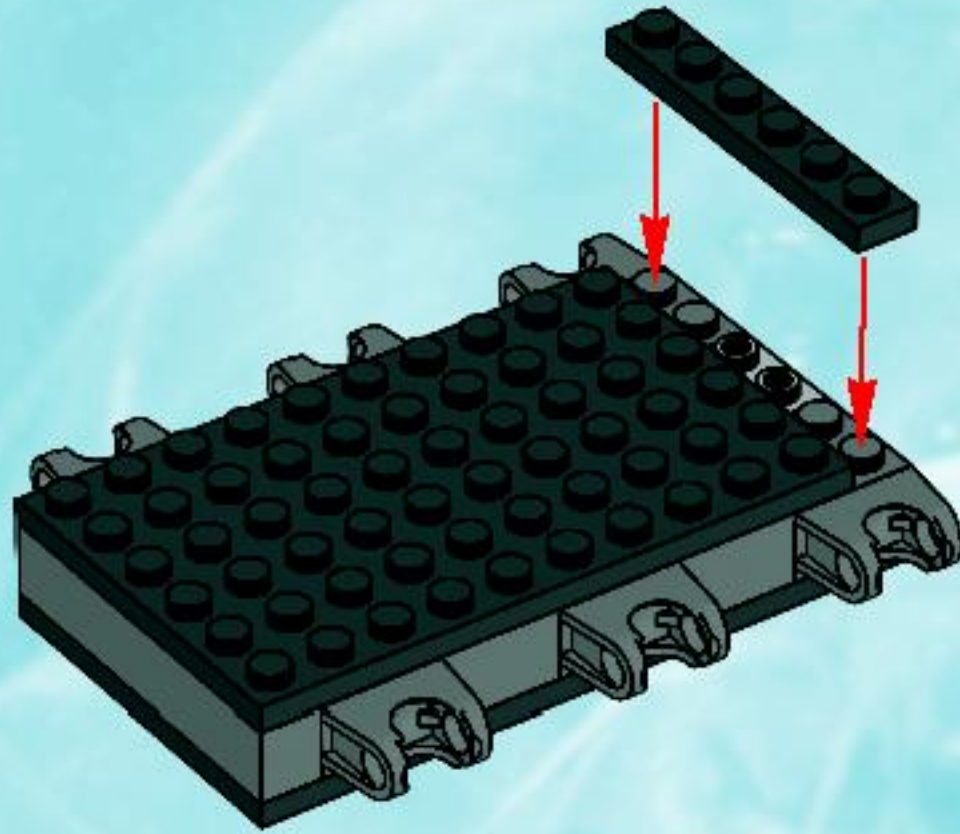
5



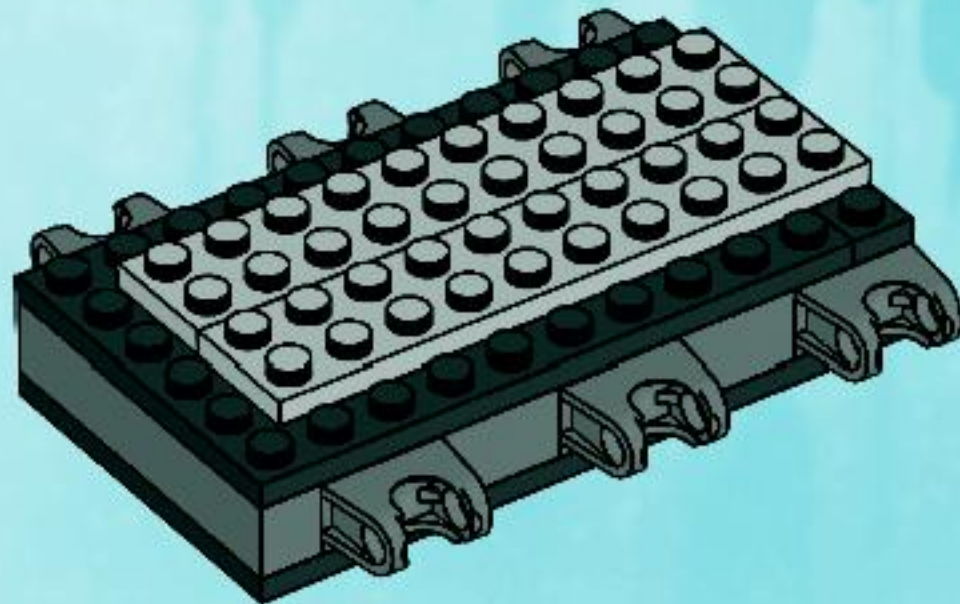




6



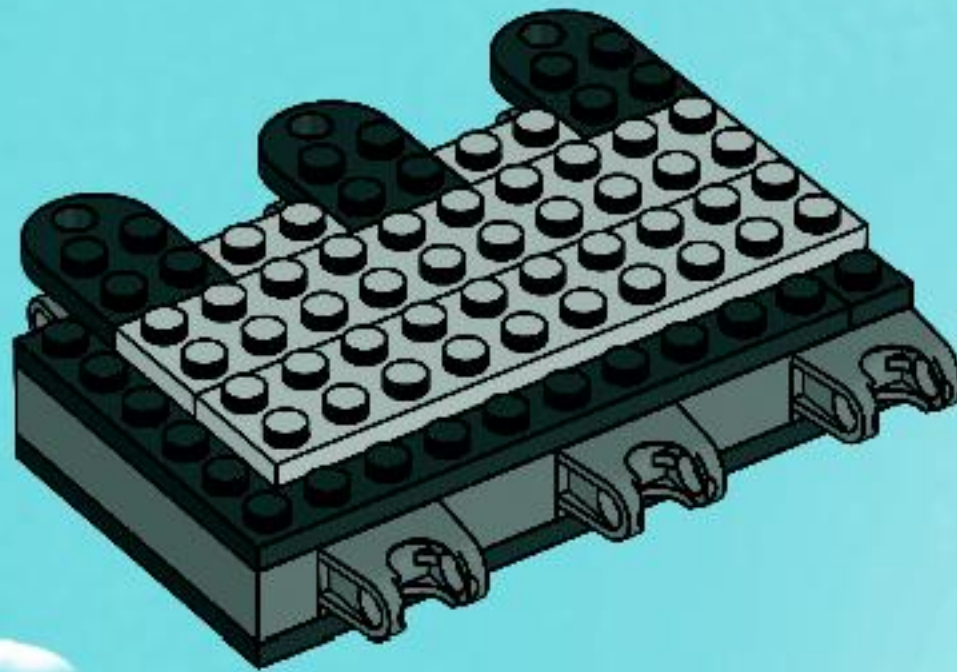
7



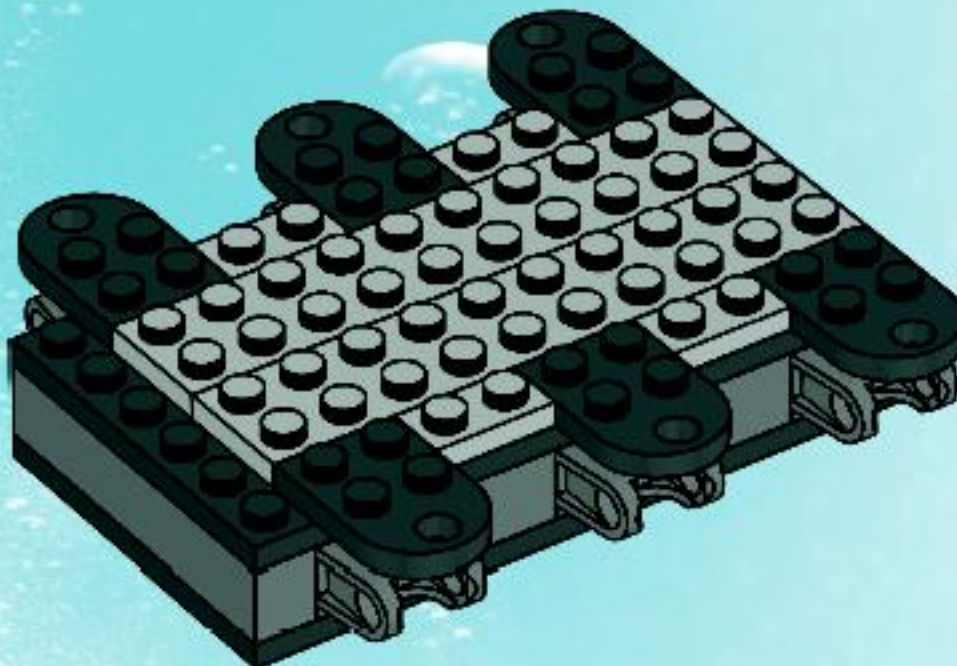




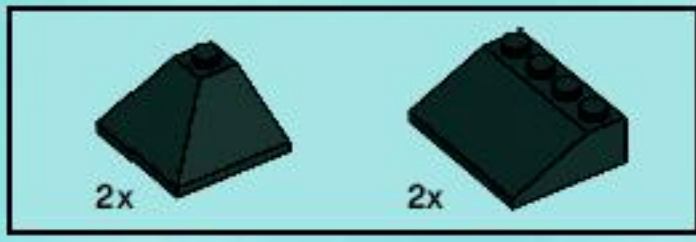
8



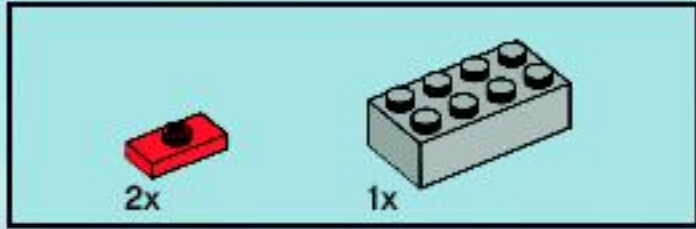
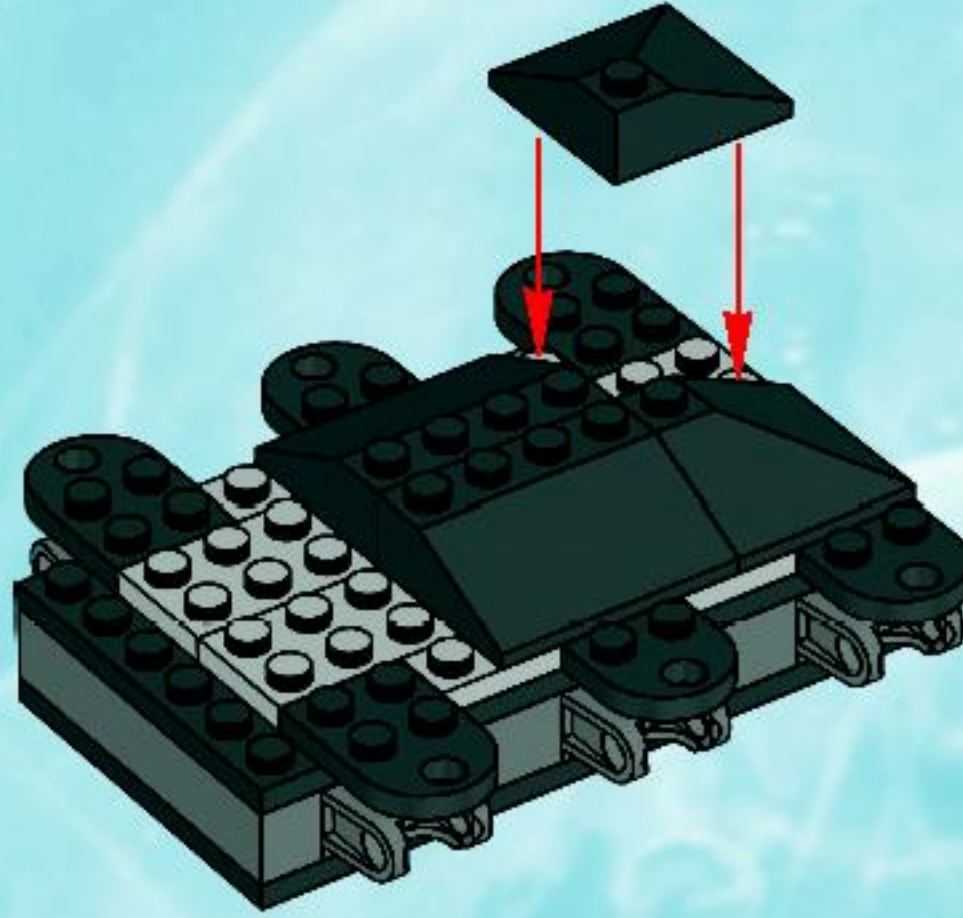
9



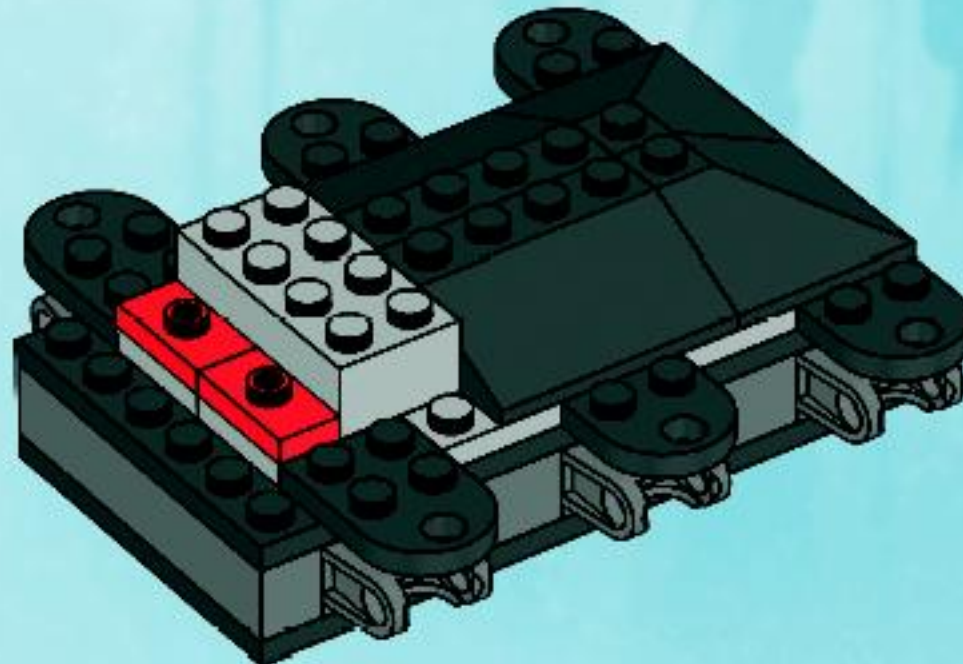




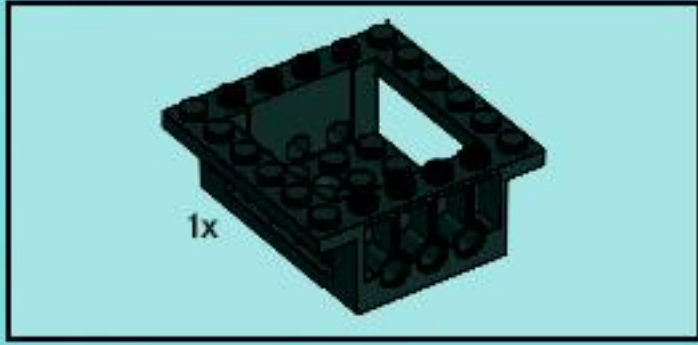
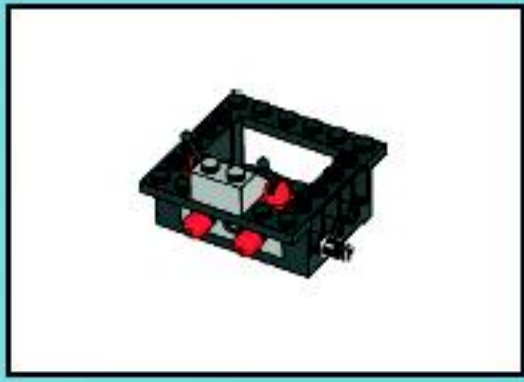
10



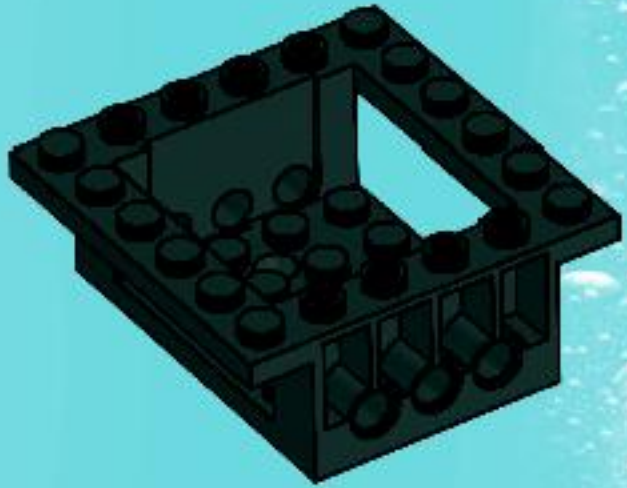
11



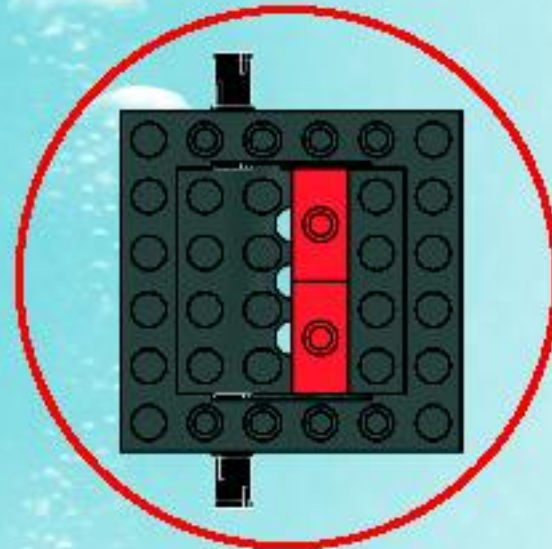
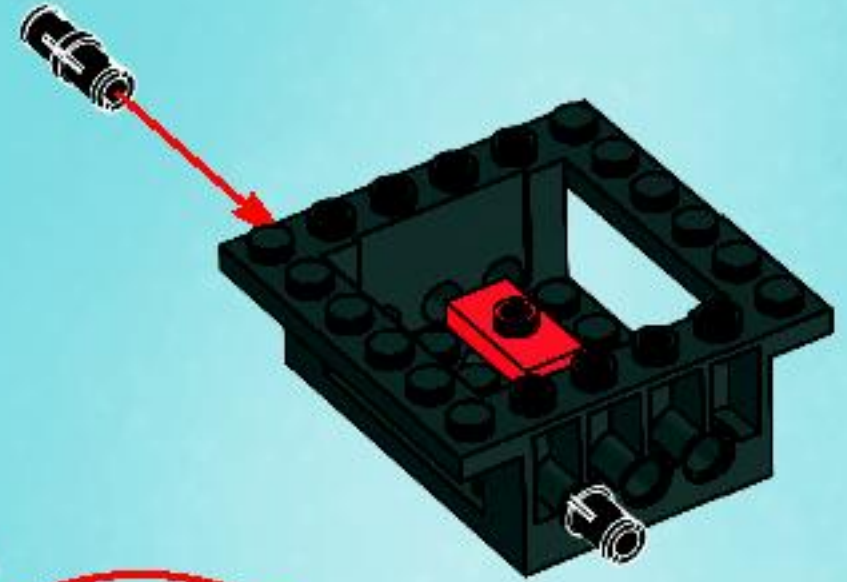




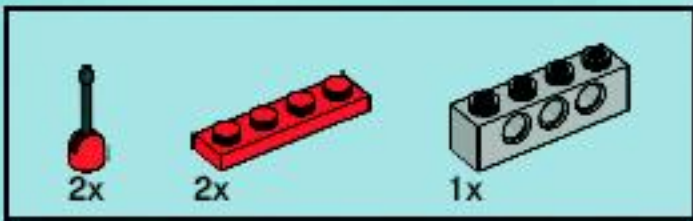
1



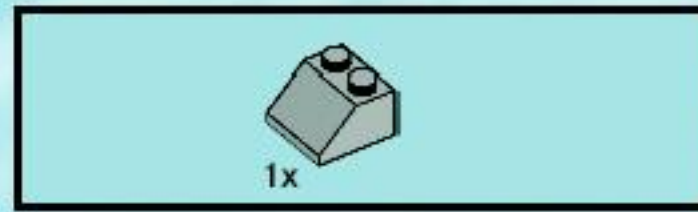
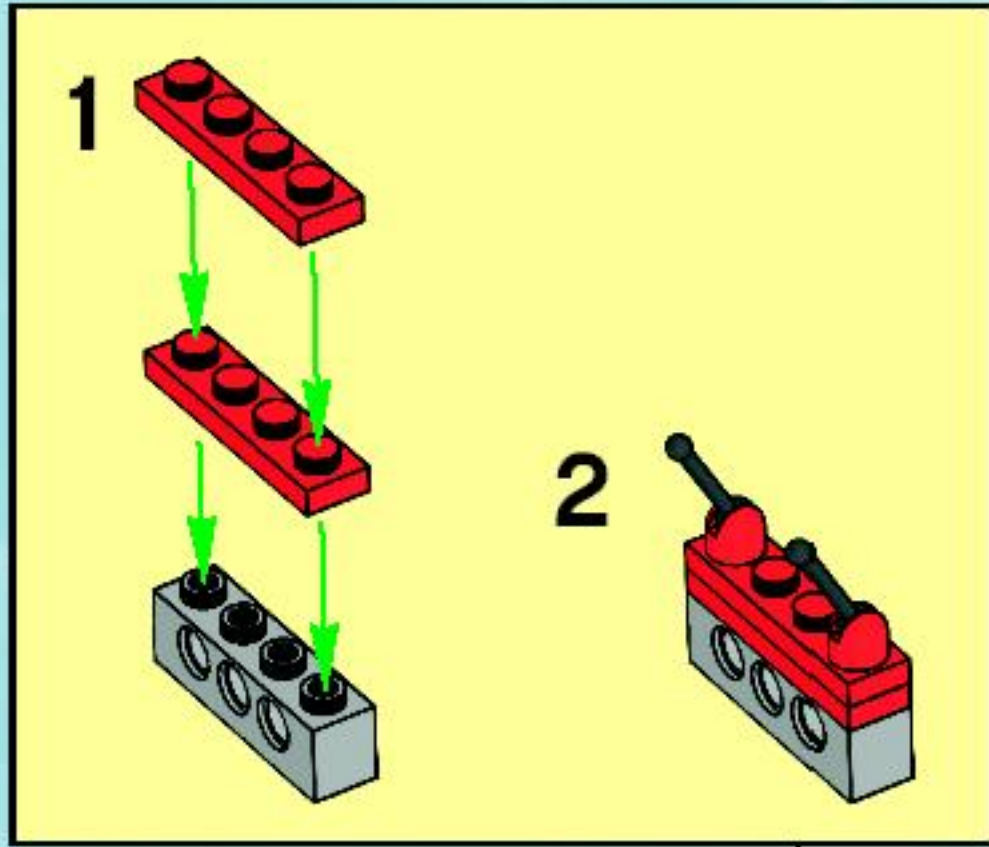
2



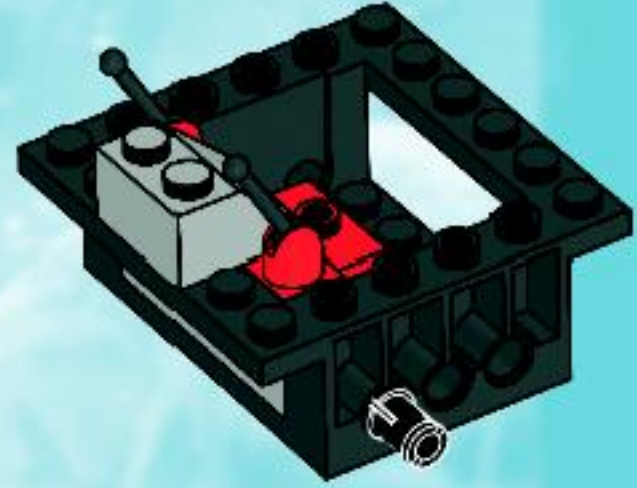




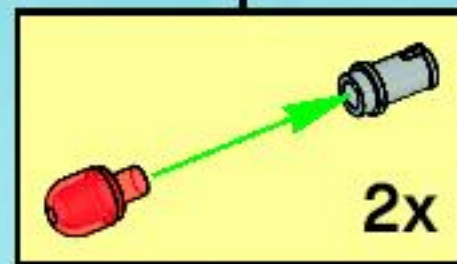
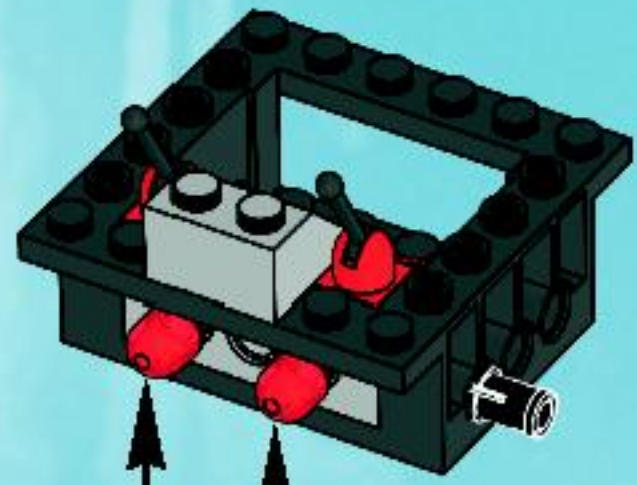
3



4

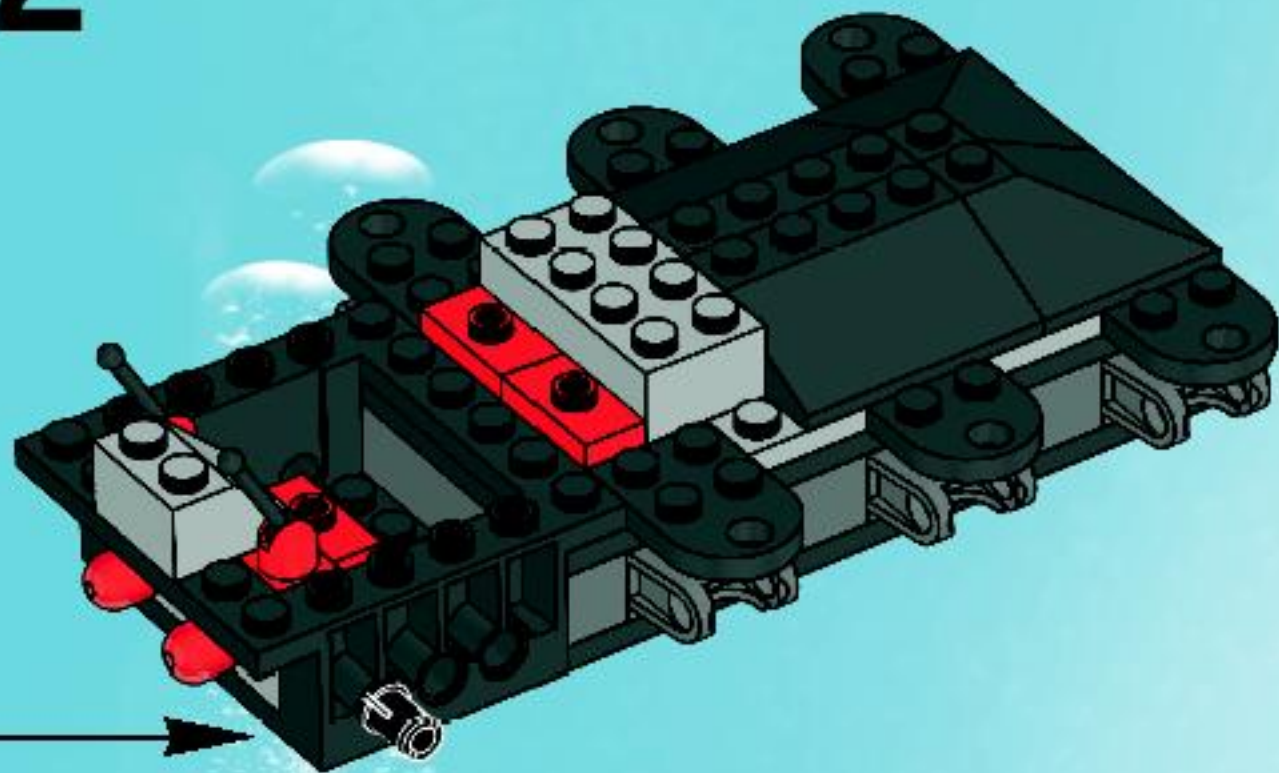


5

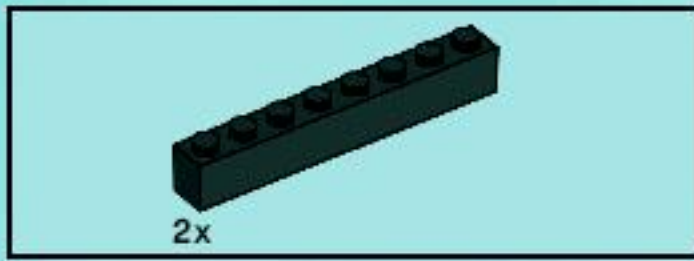




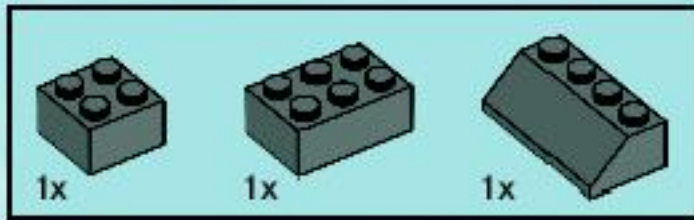
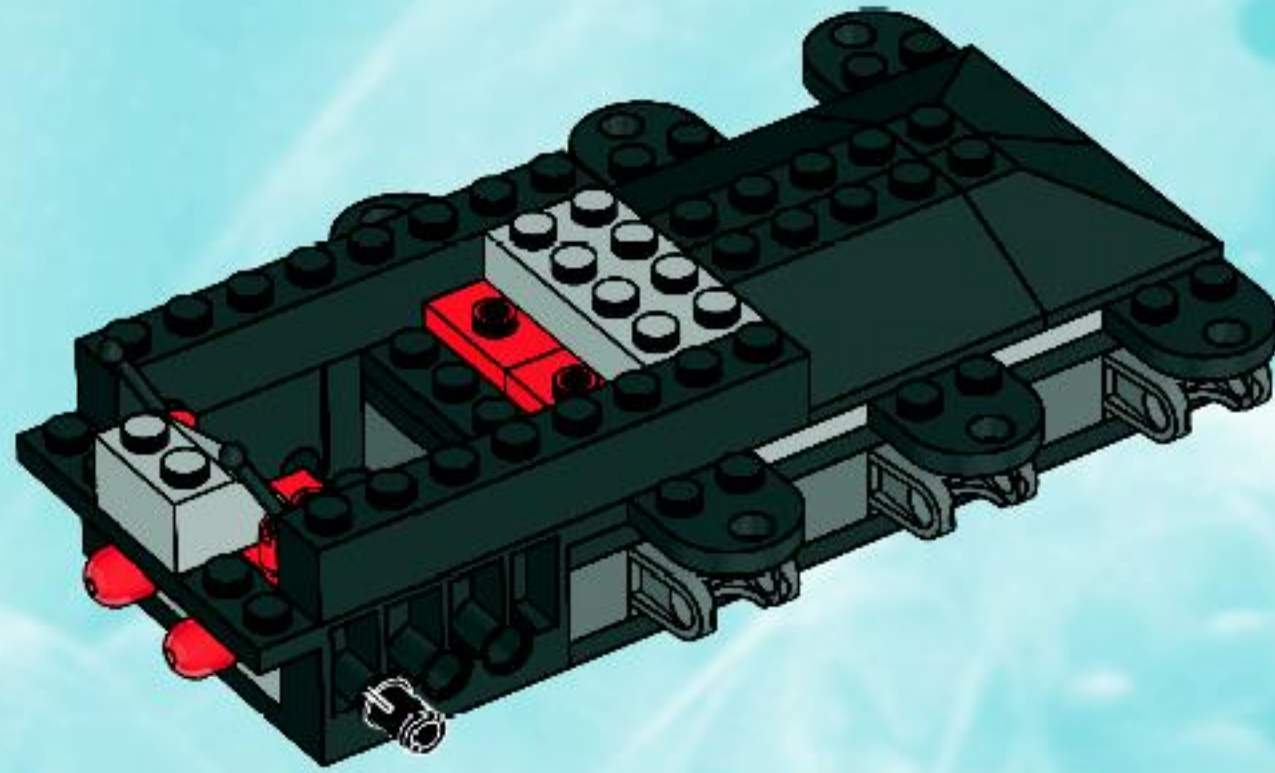
12



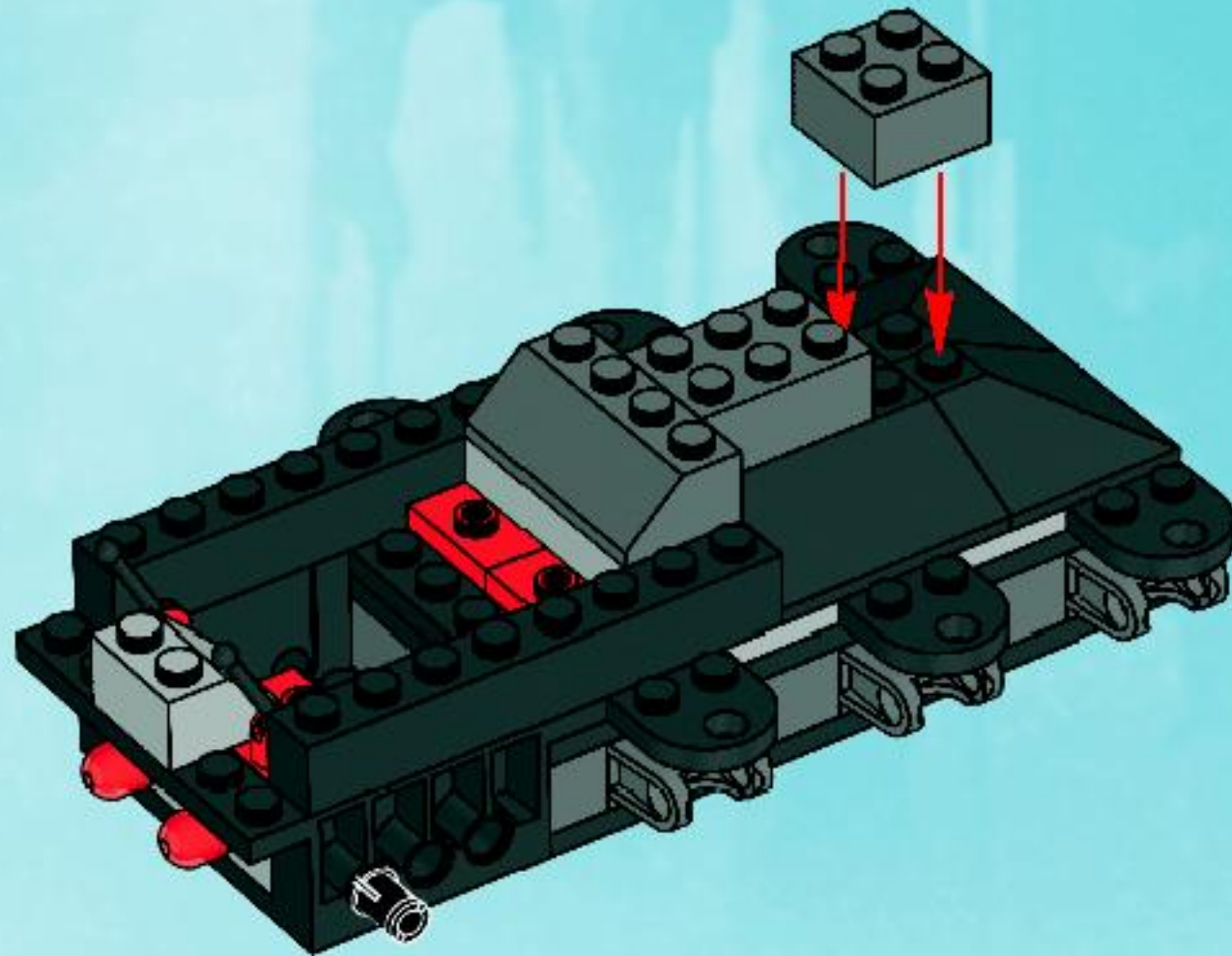




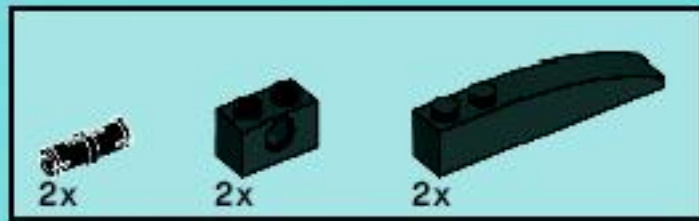
13



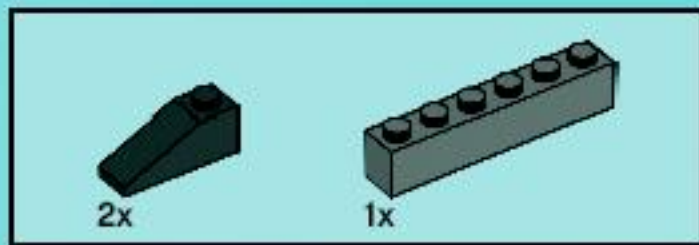
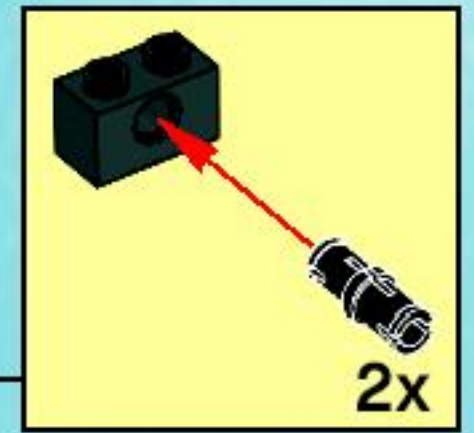
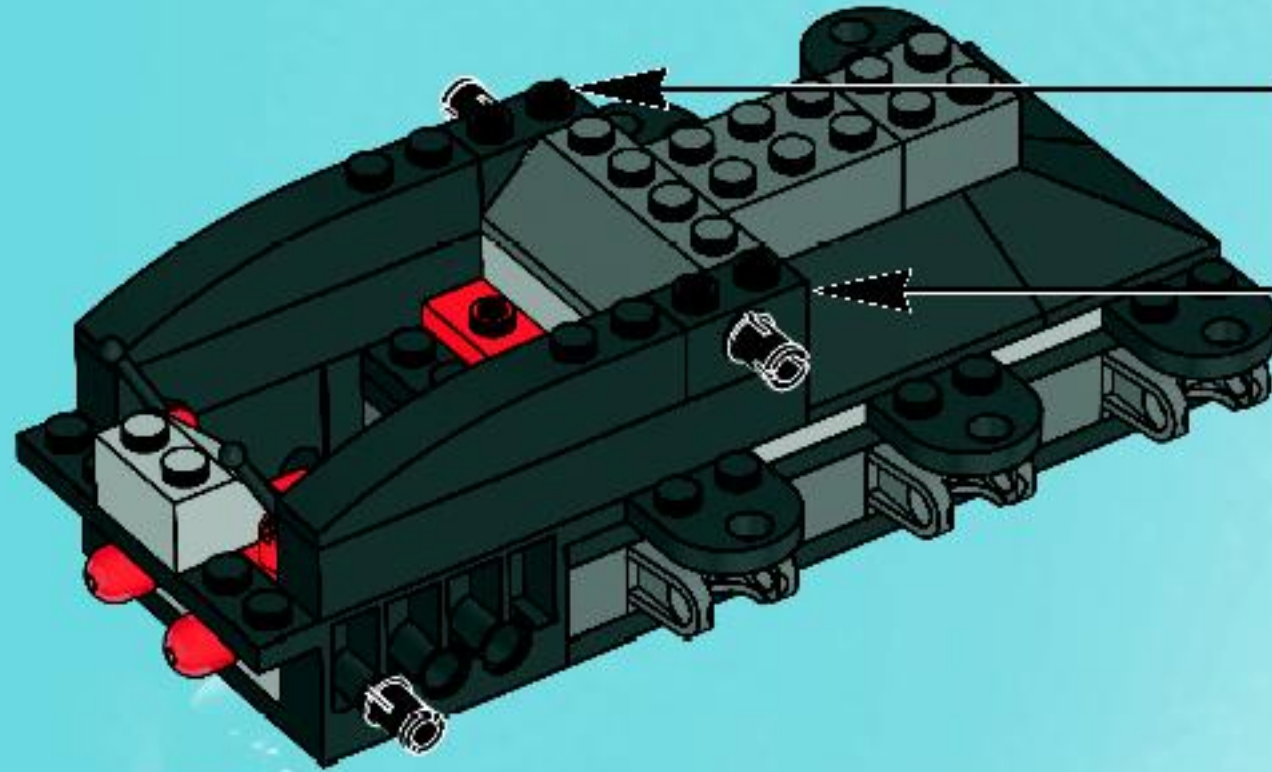
14



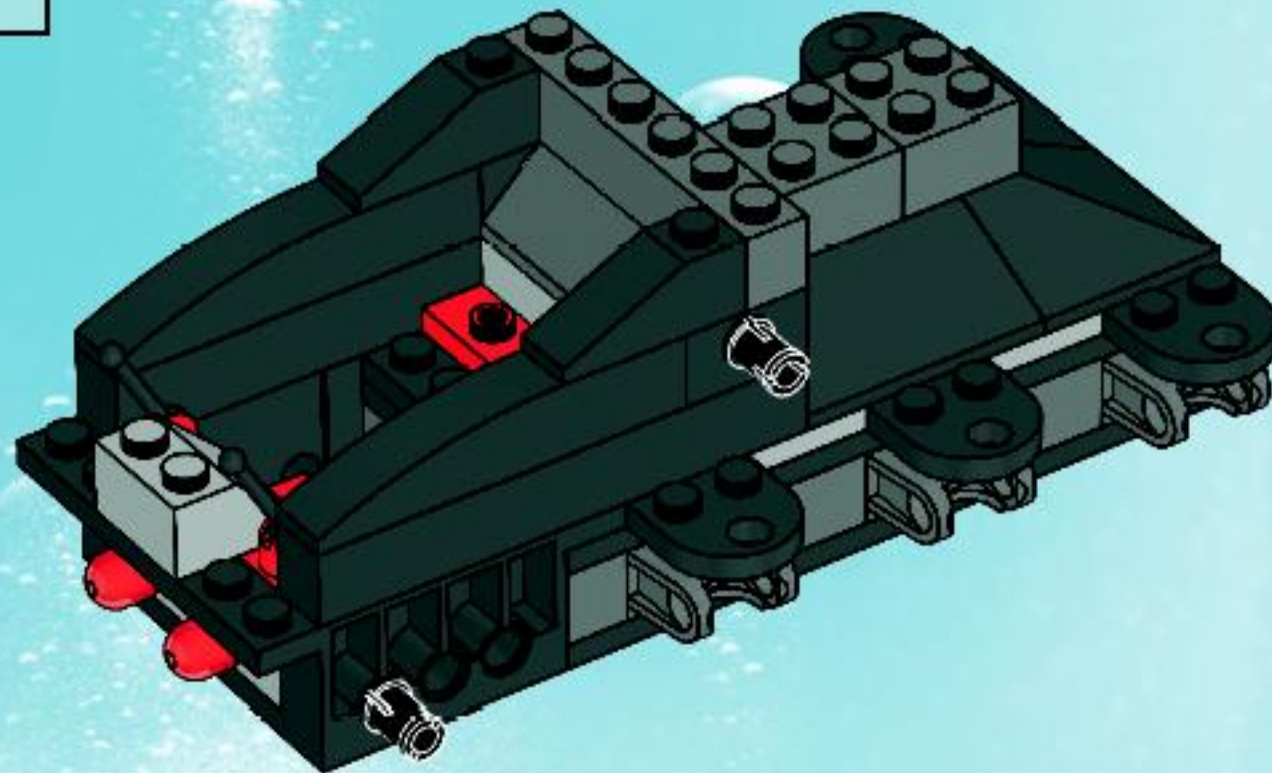




15



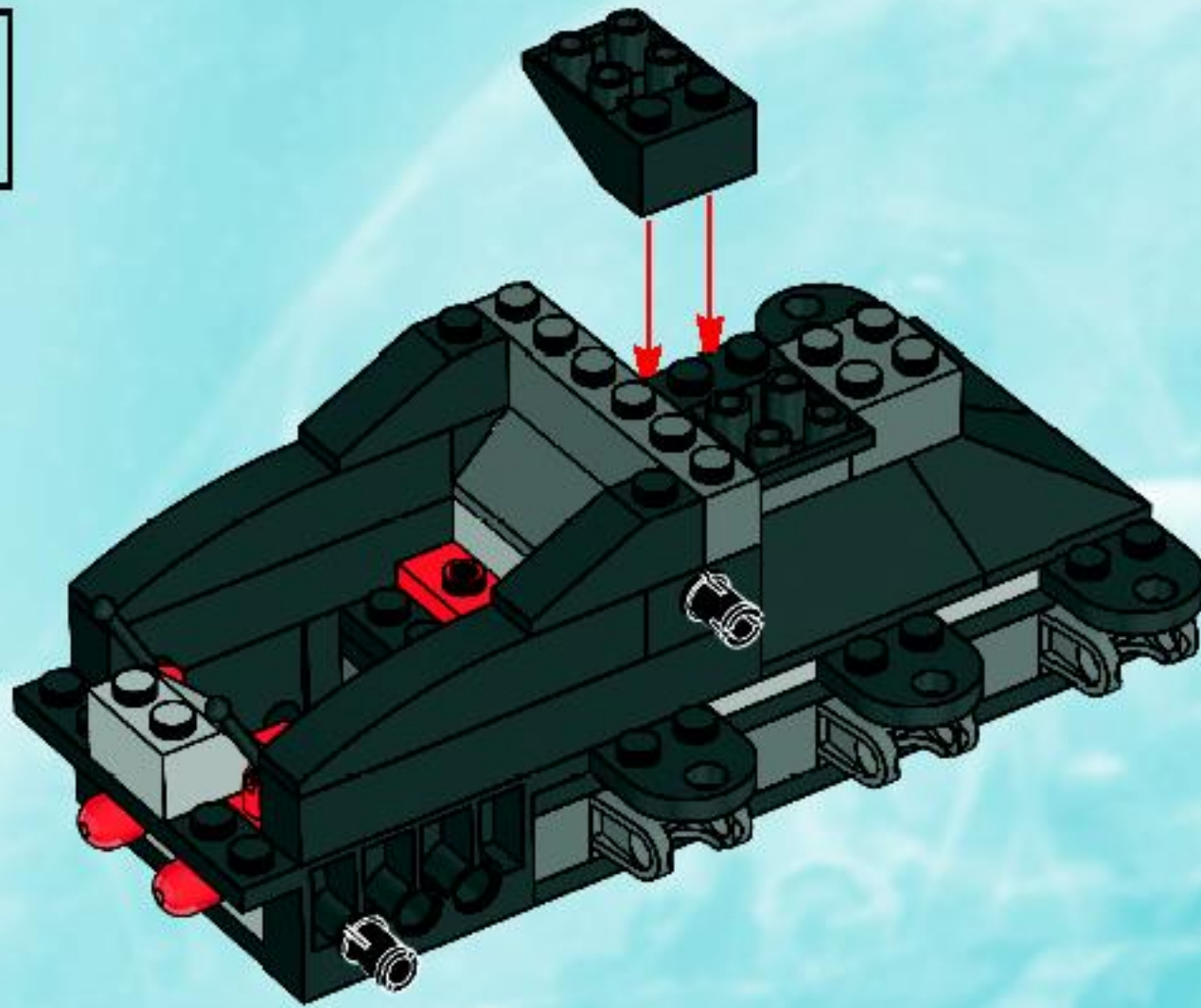
16



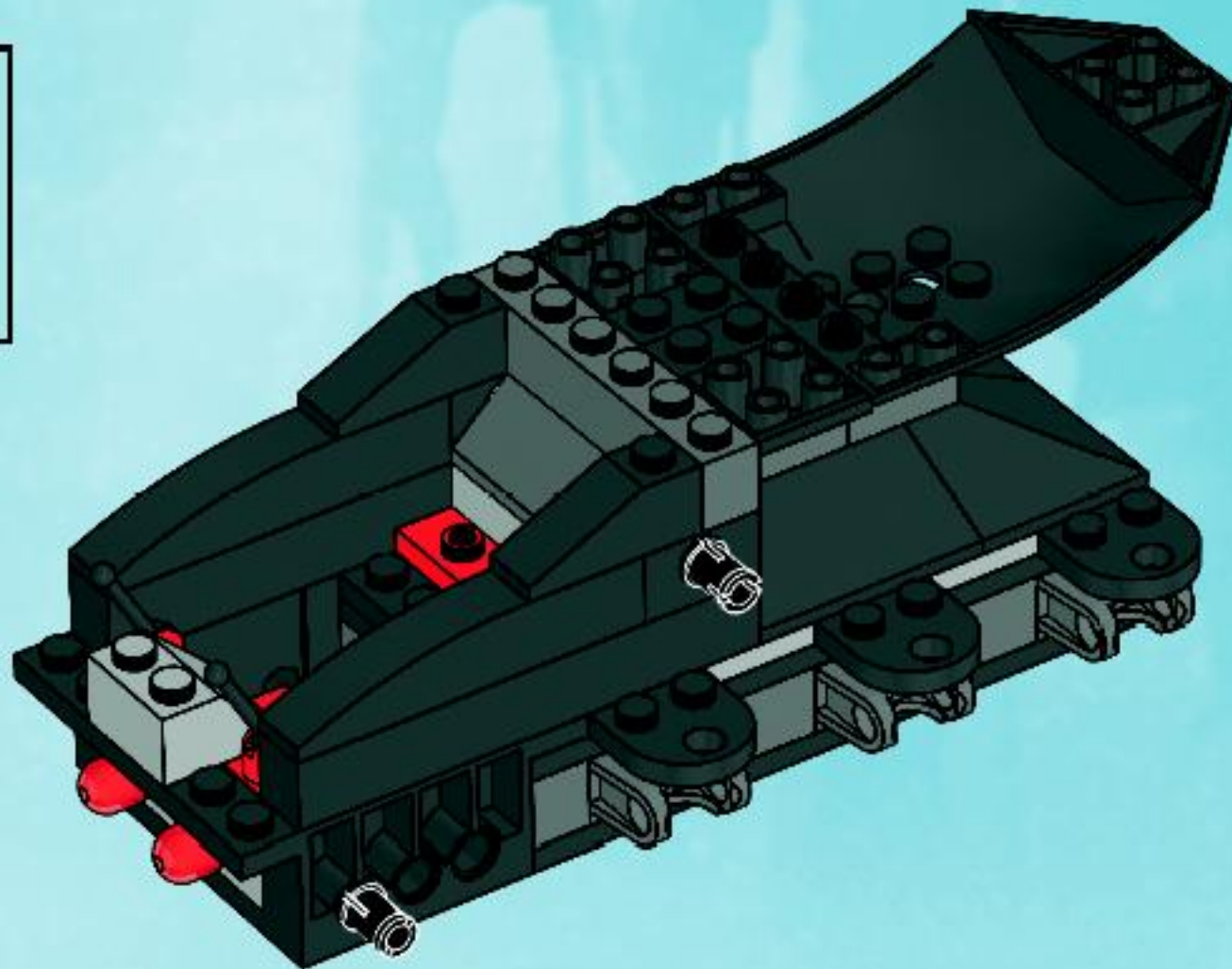




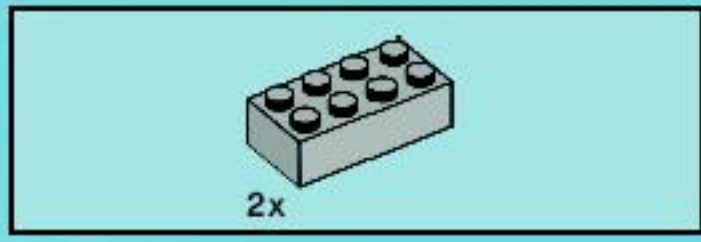
17



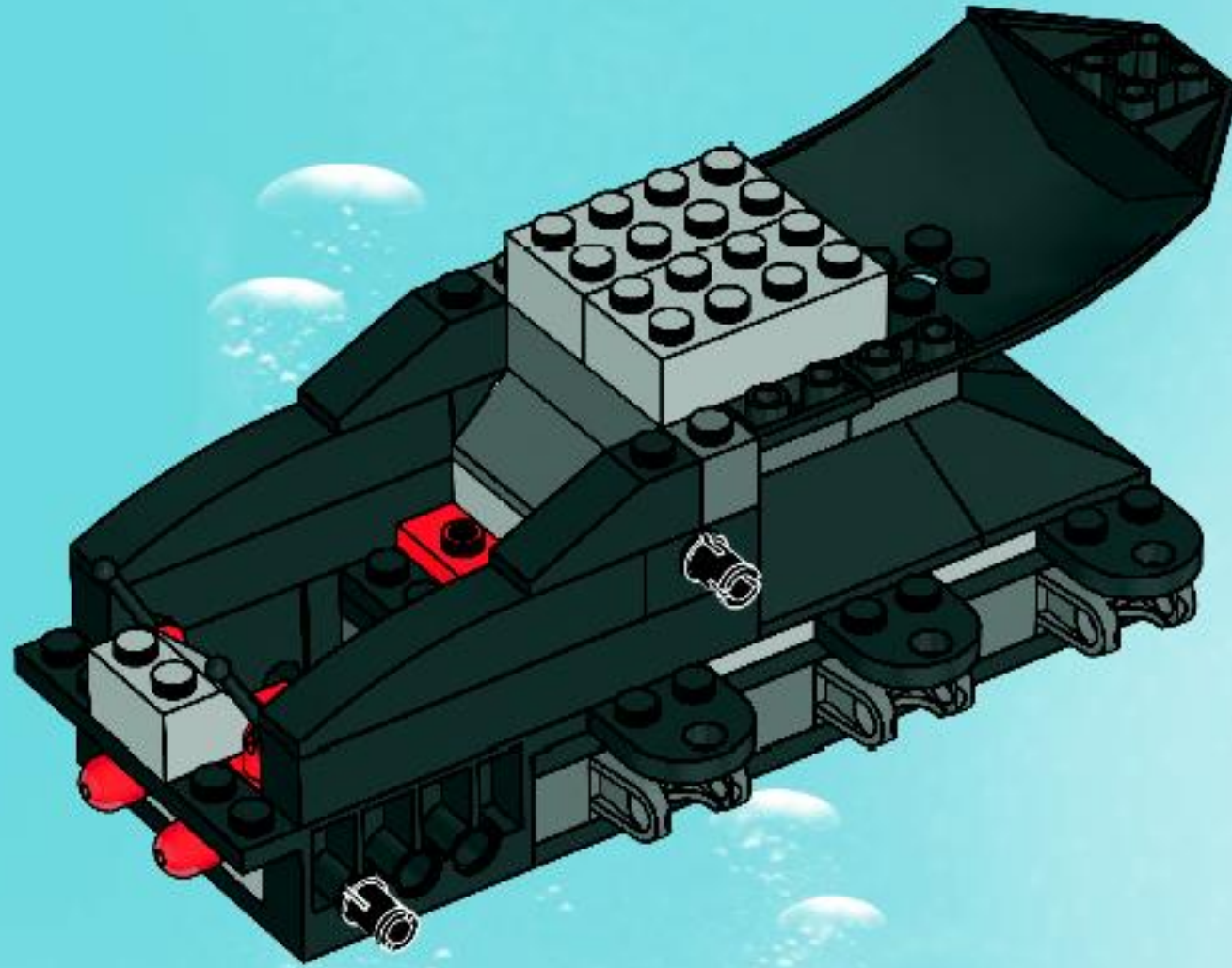
18



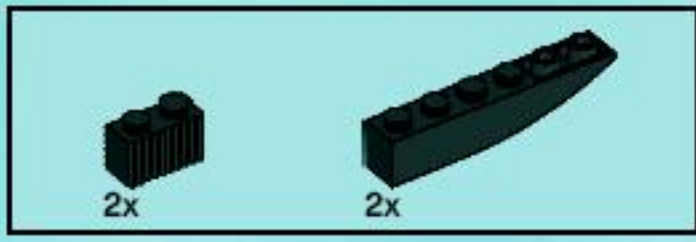




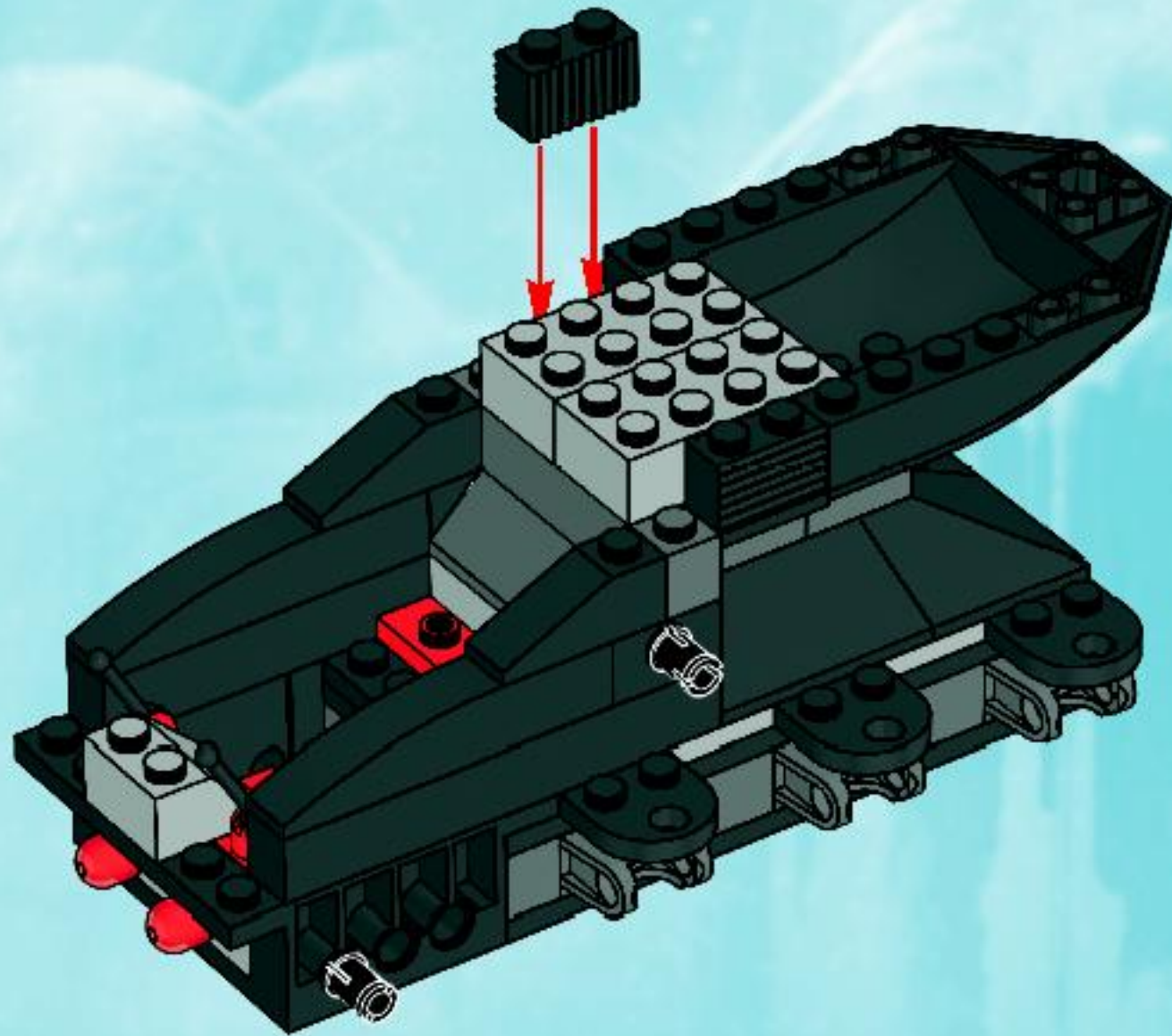
19



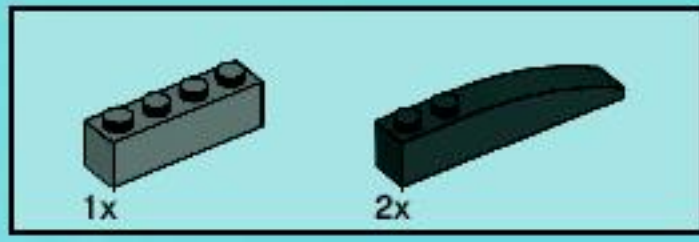




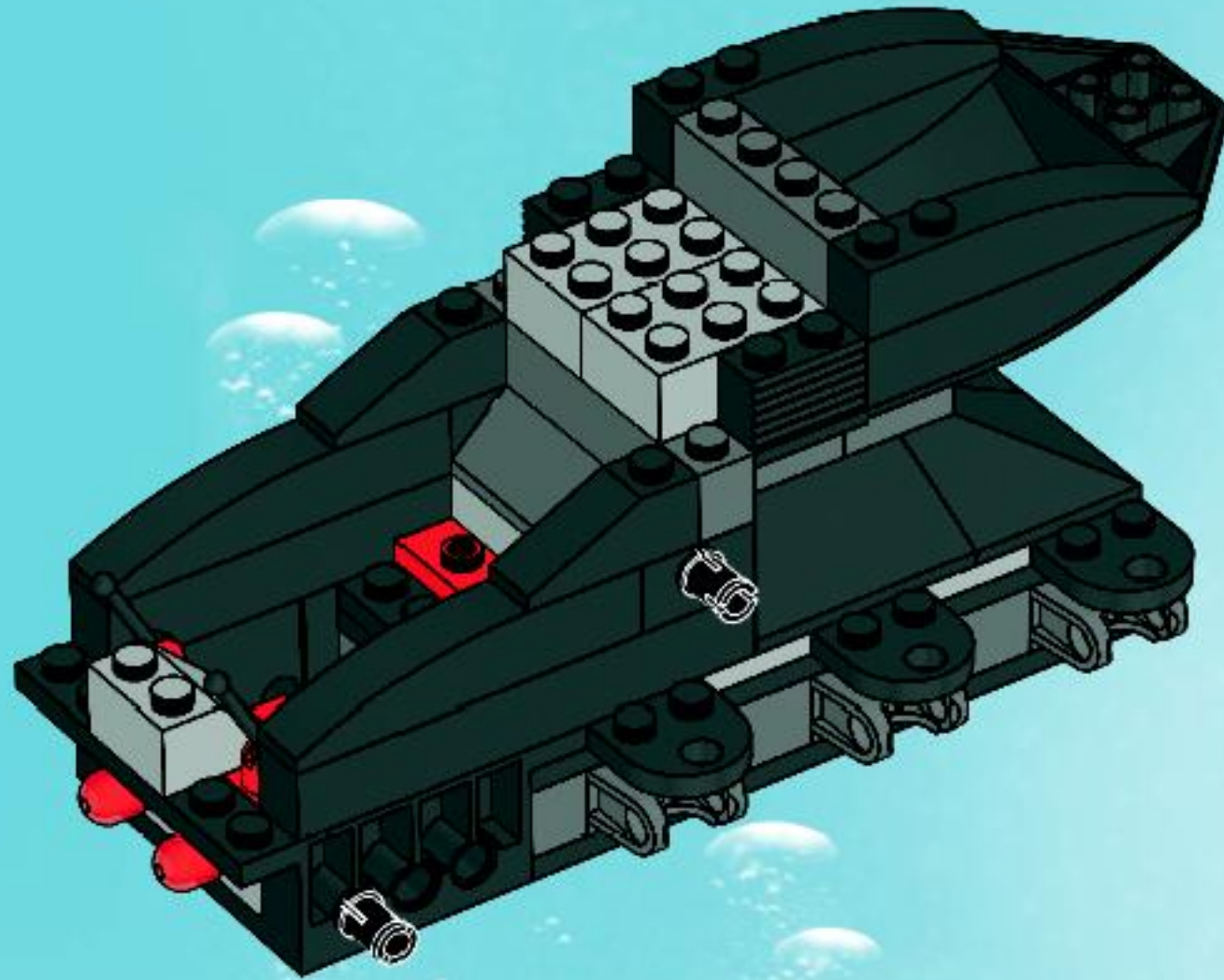
20



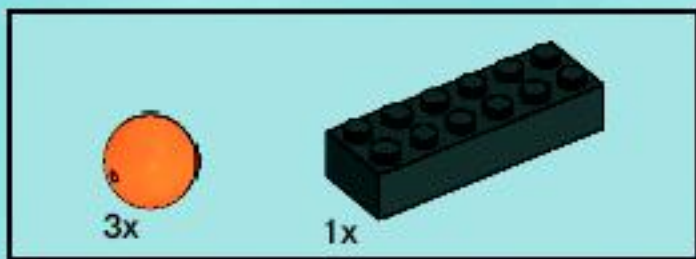




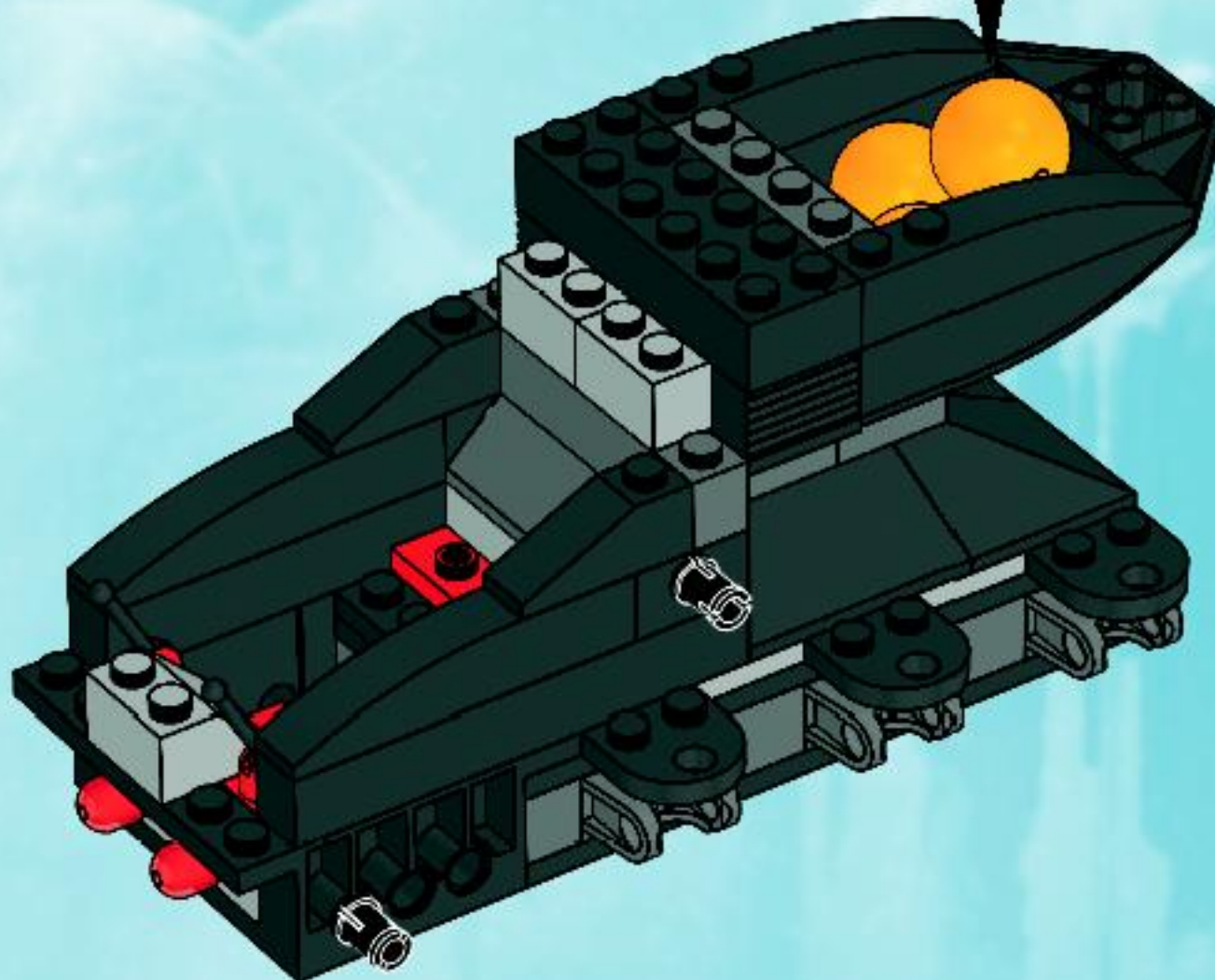
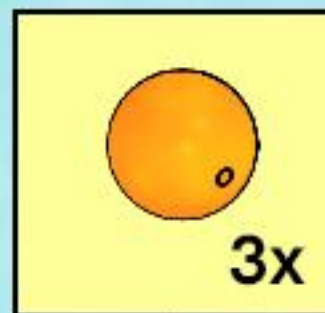
21



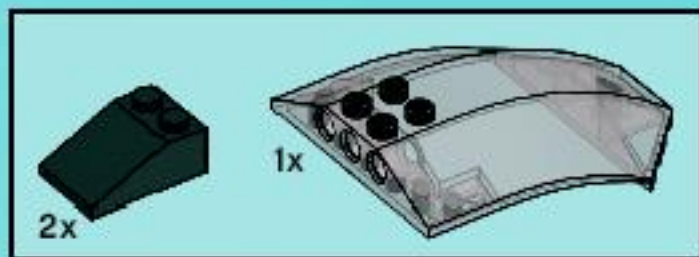




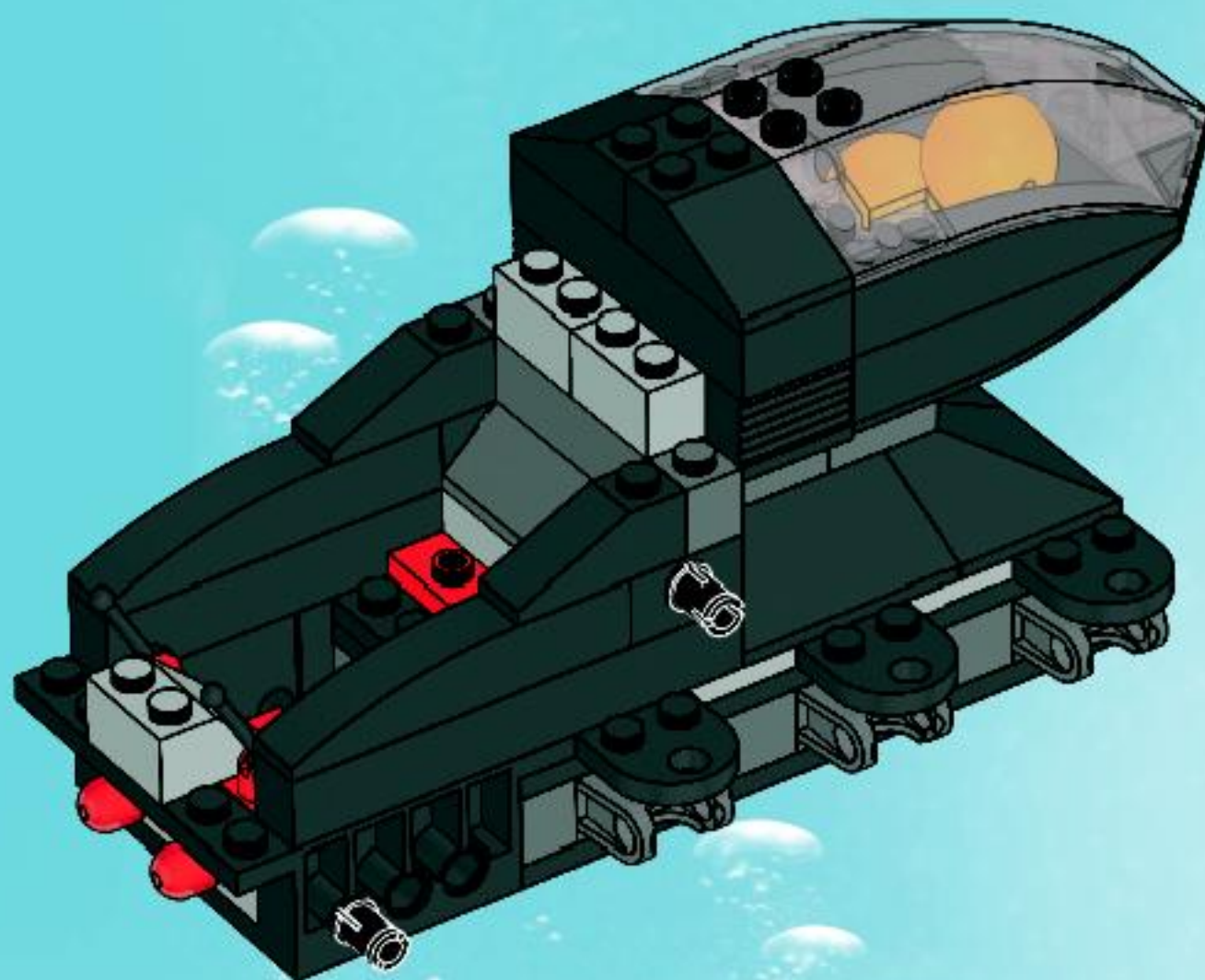
22







23





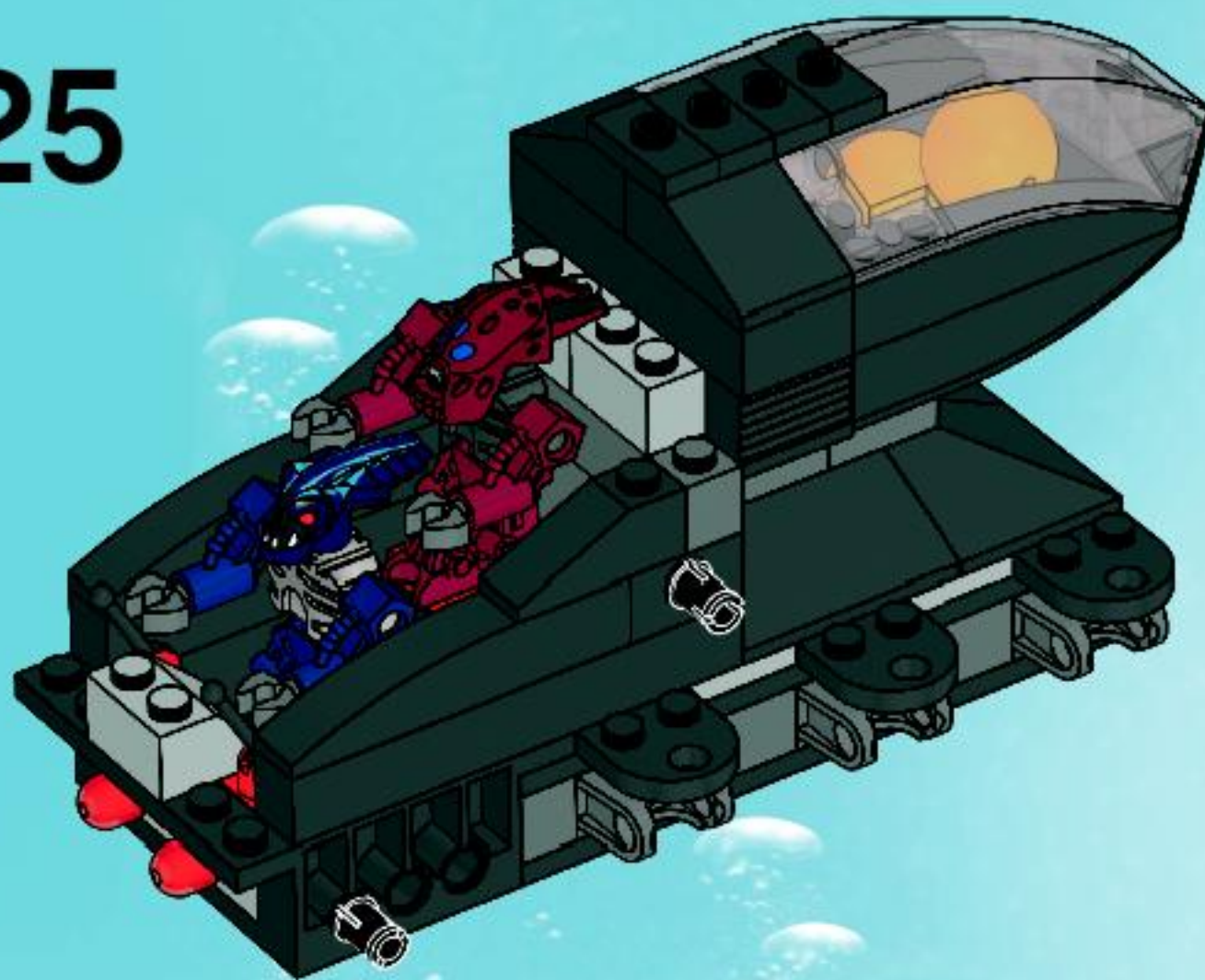


# 24

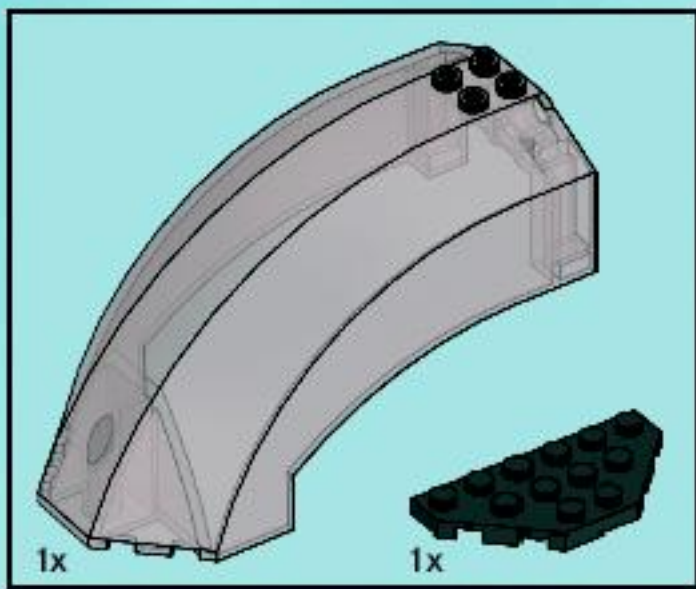




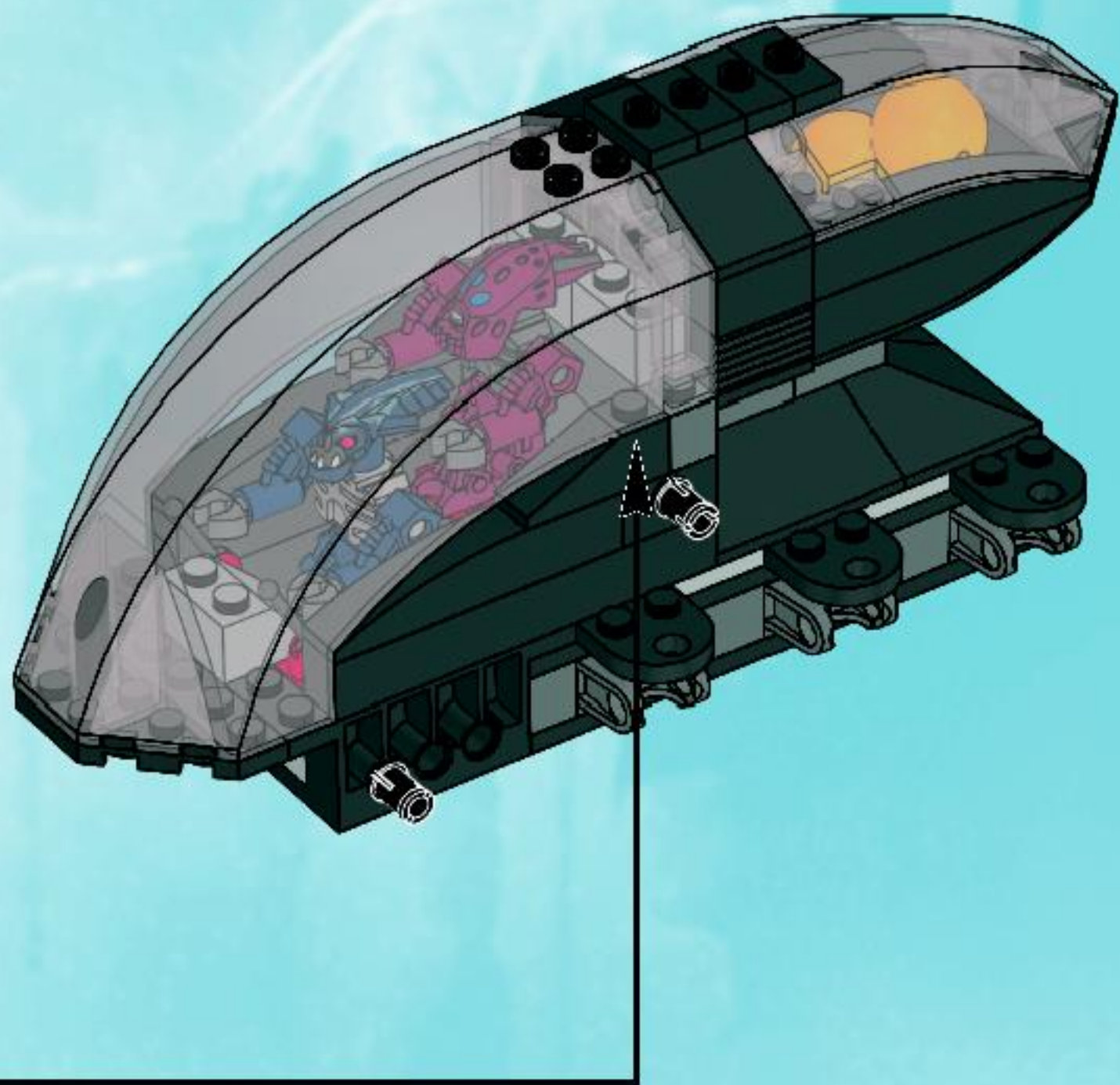
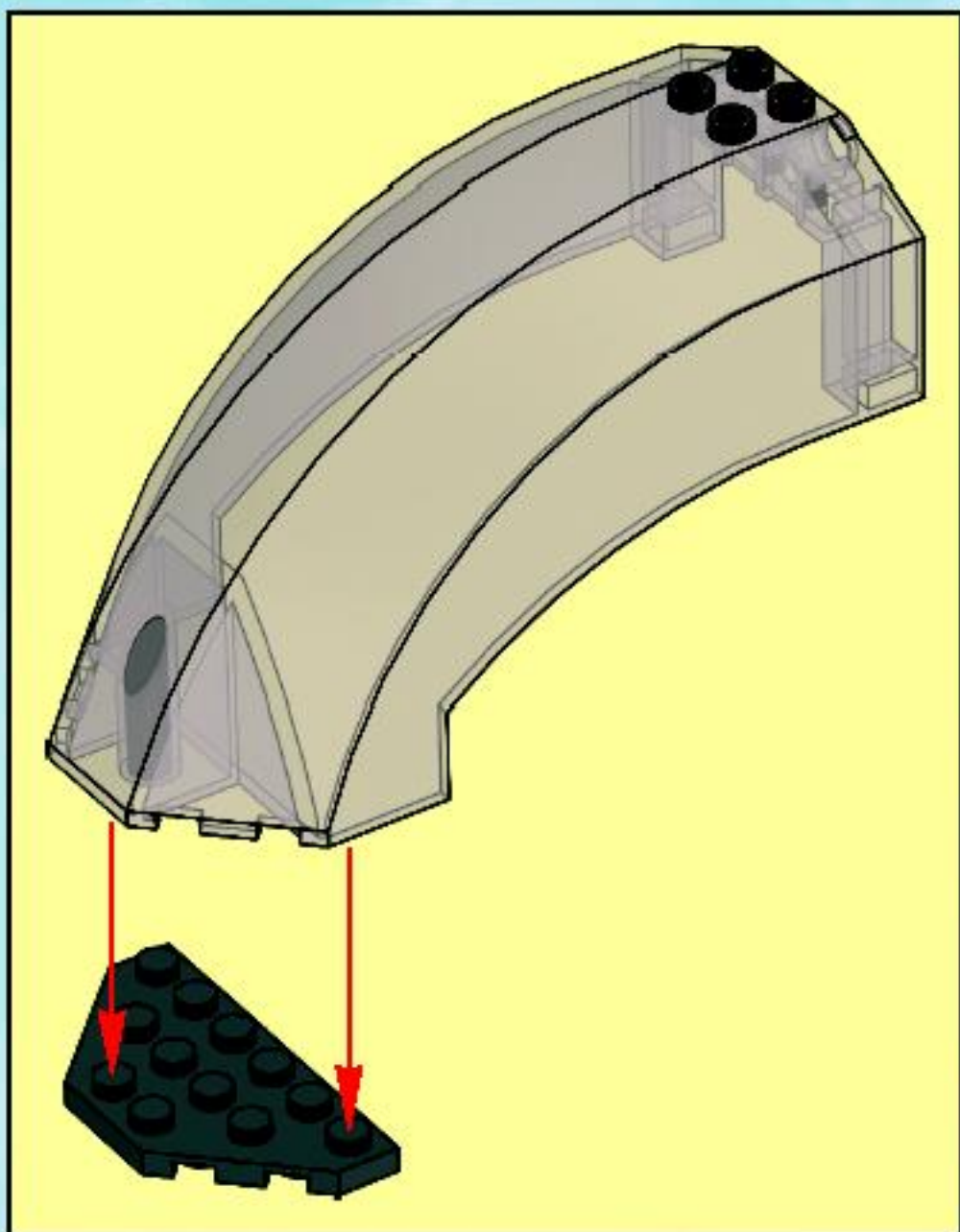
25







26





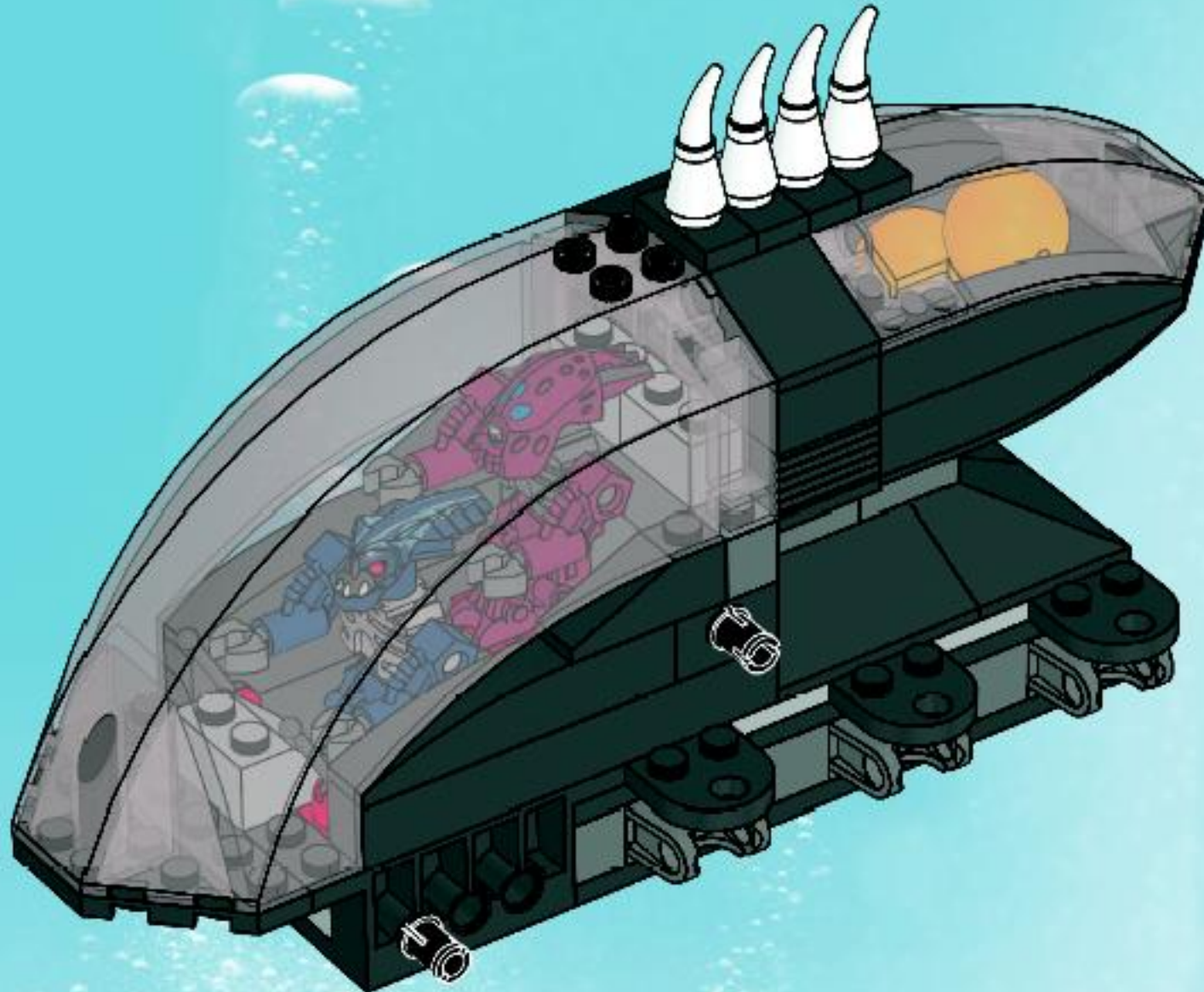
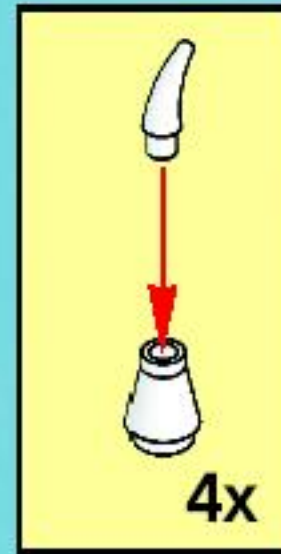


4x

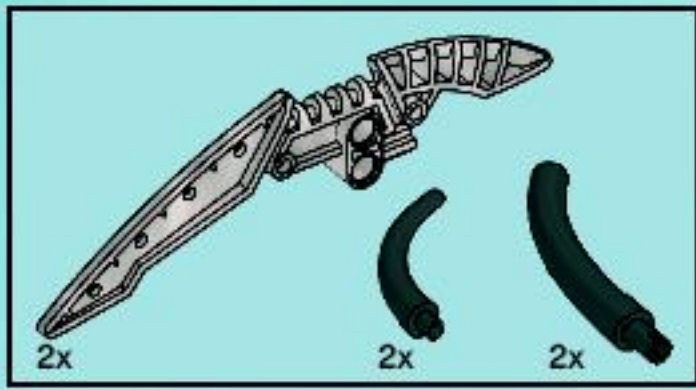


4x

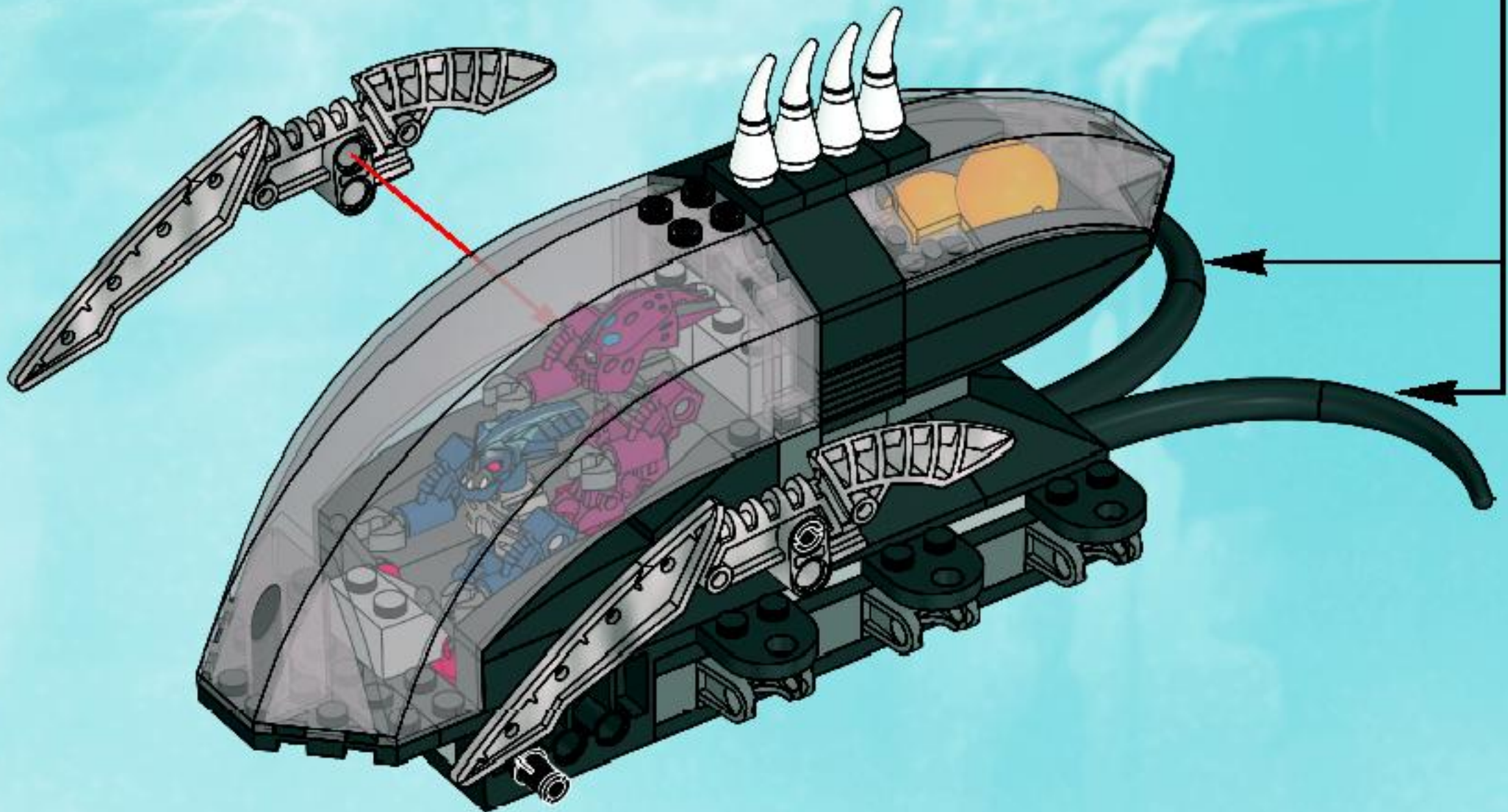
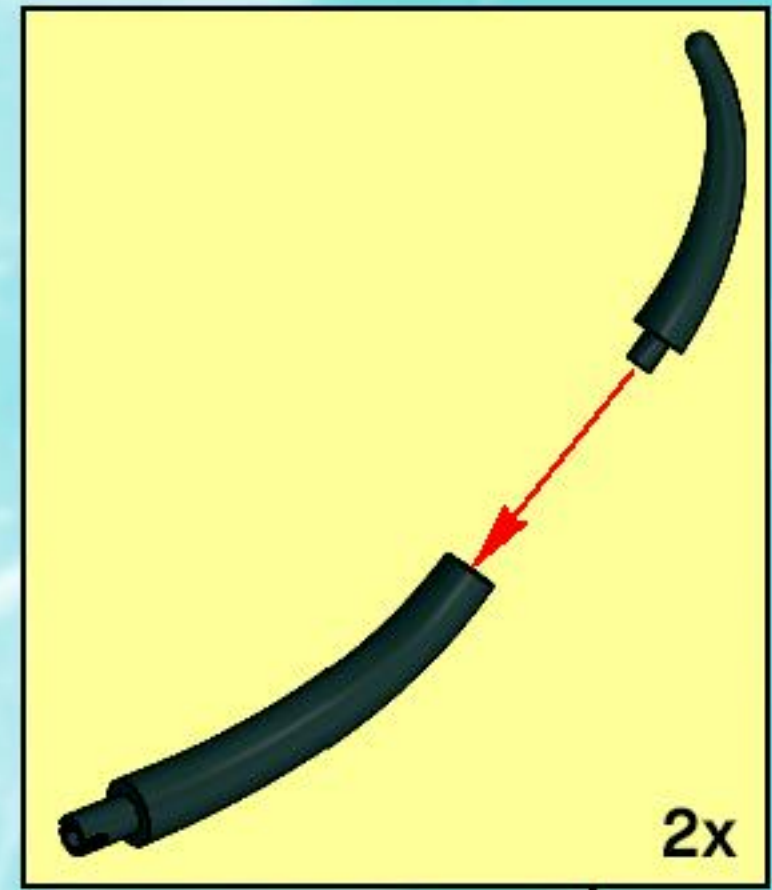
# 27



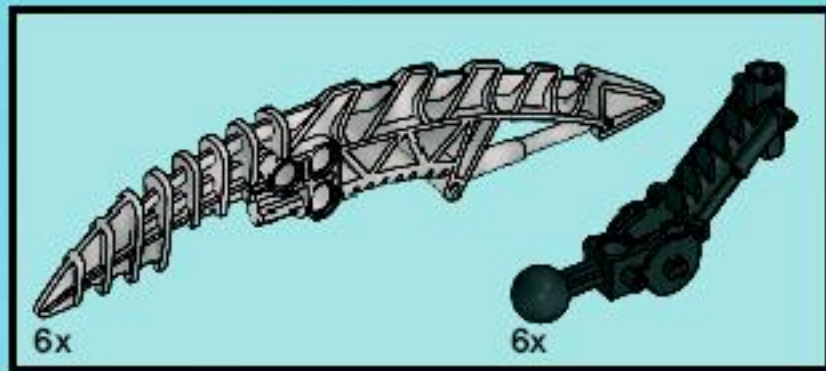




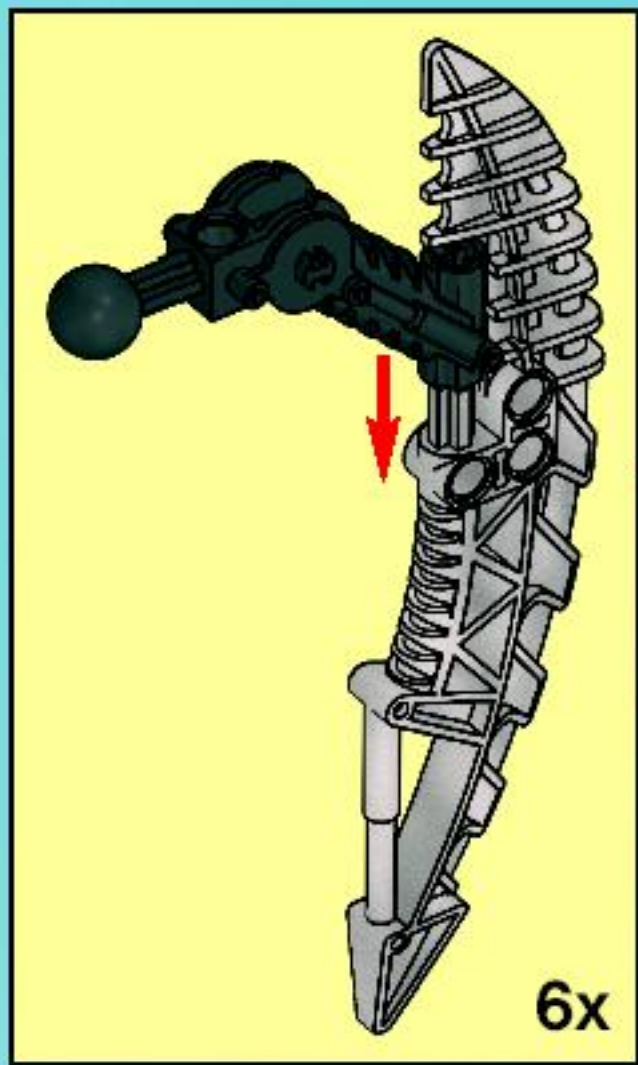
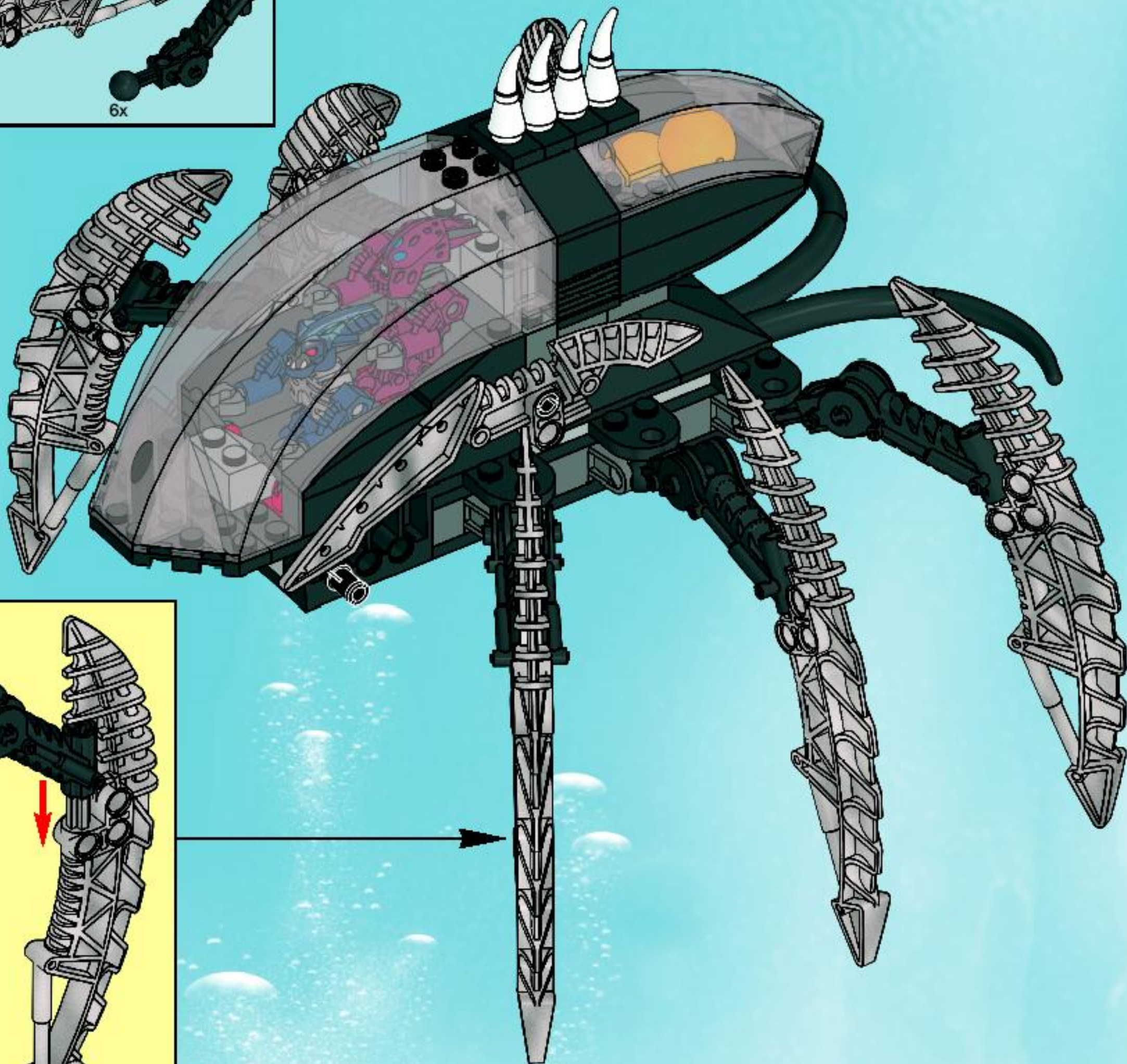
28







29







1



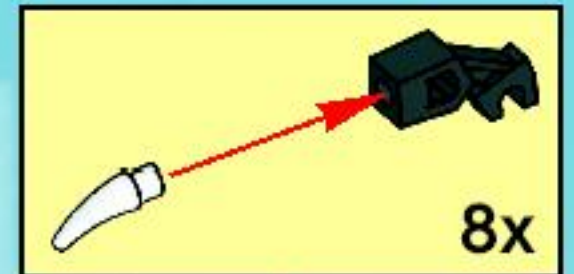
2



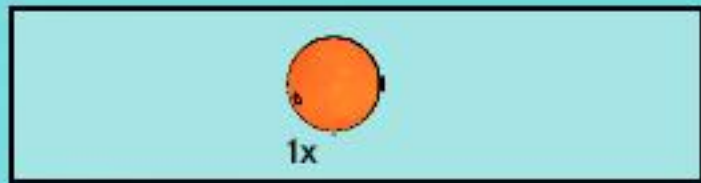
3



4



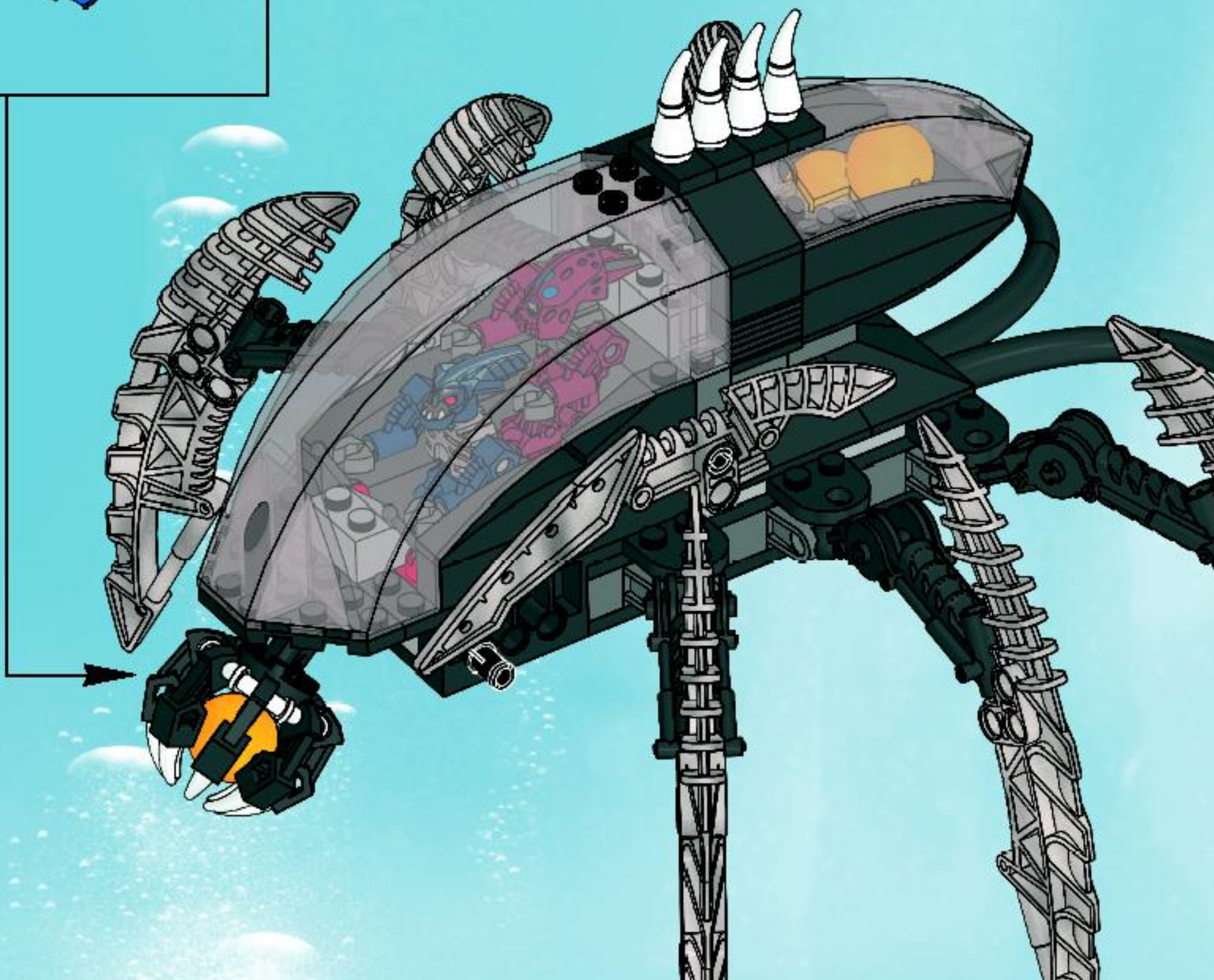




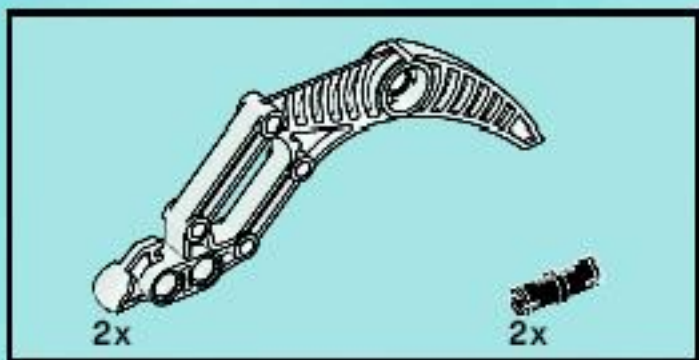
5



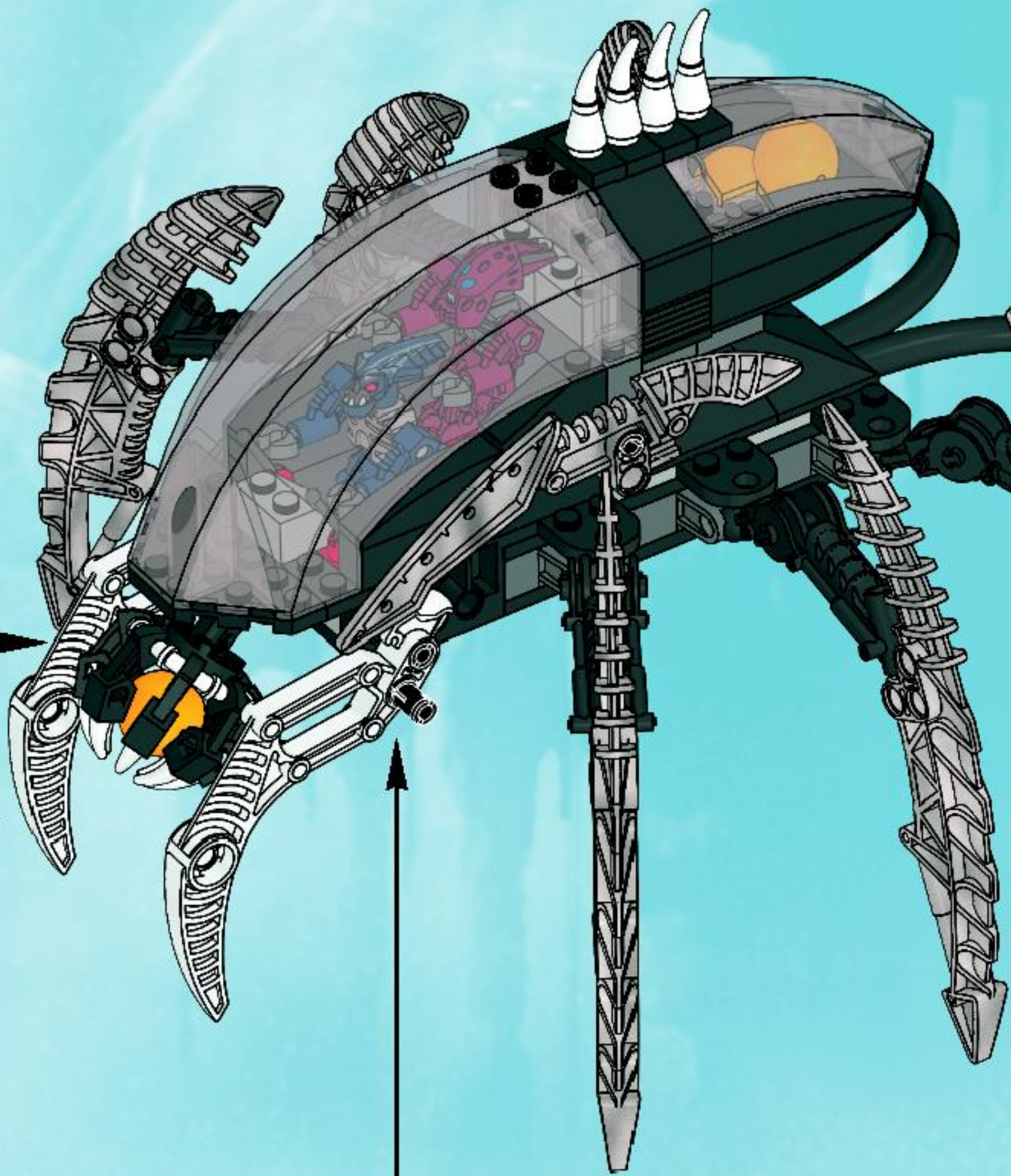
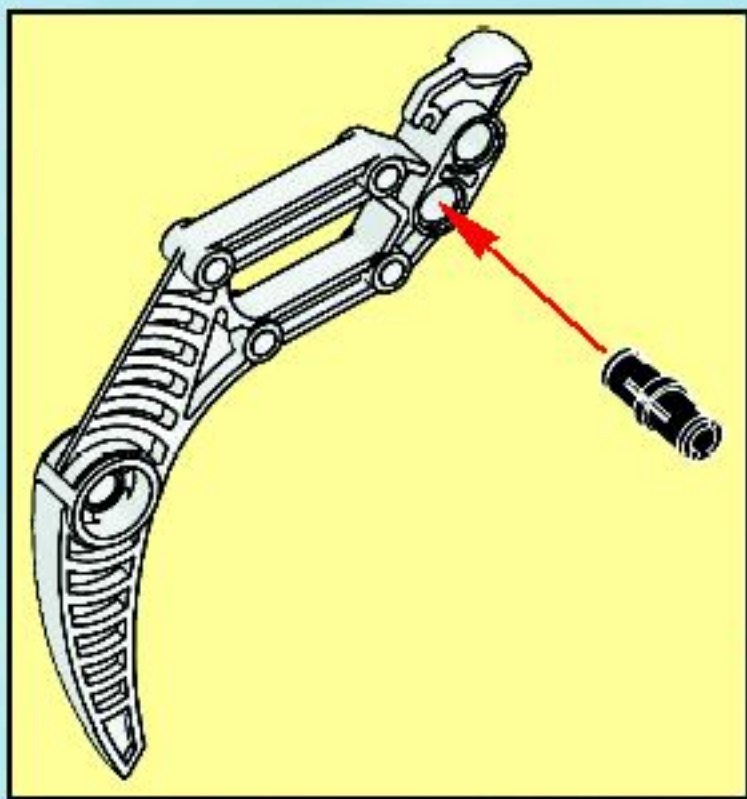
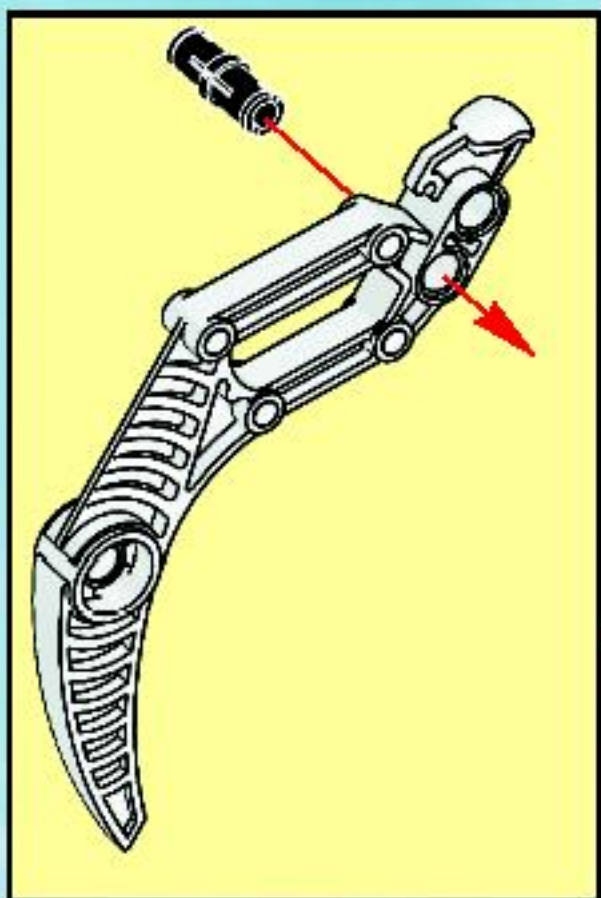
30



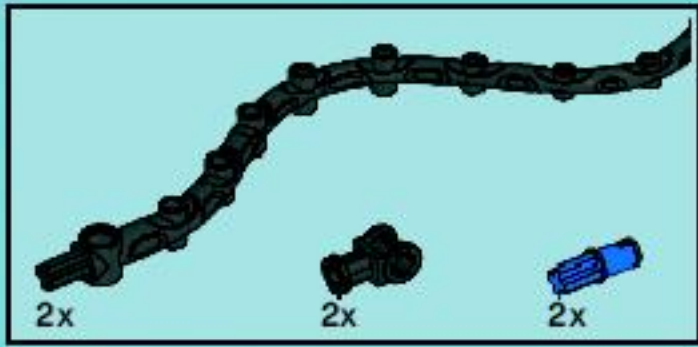




# 31

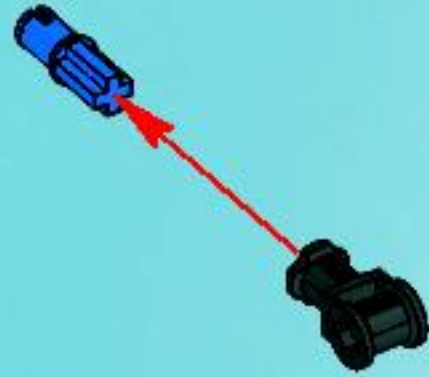




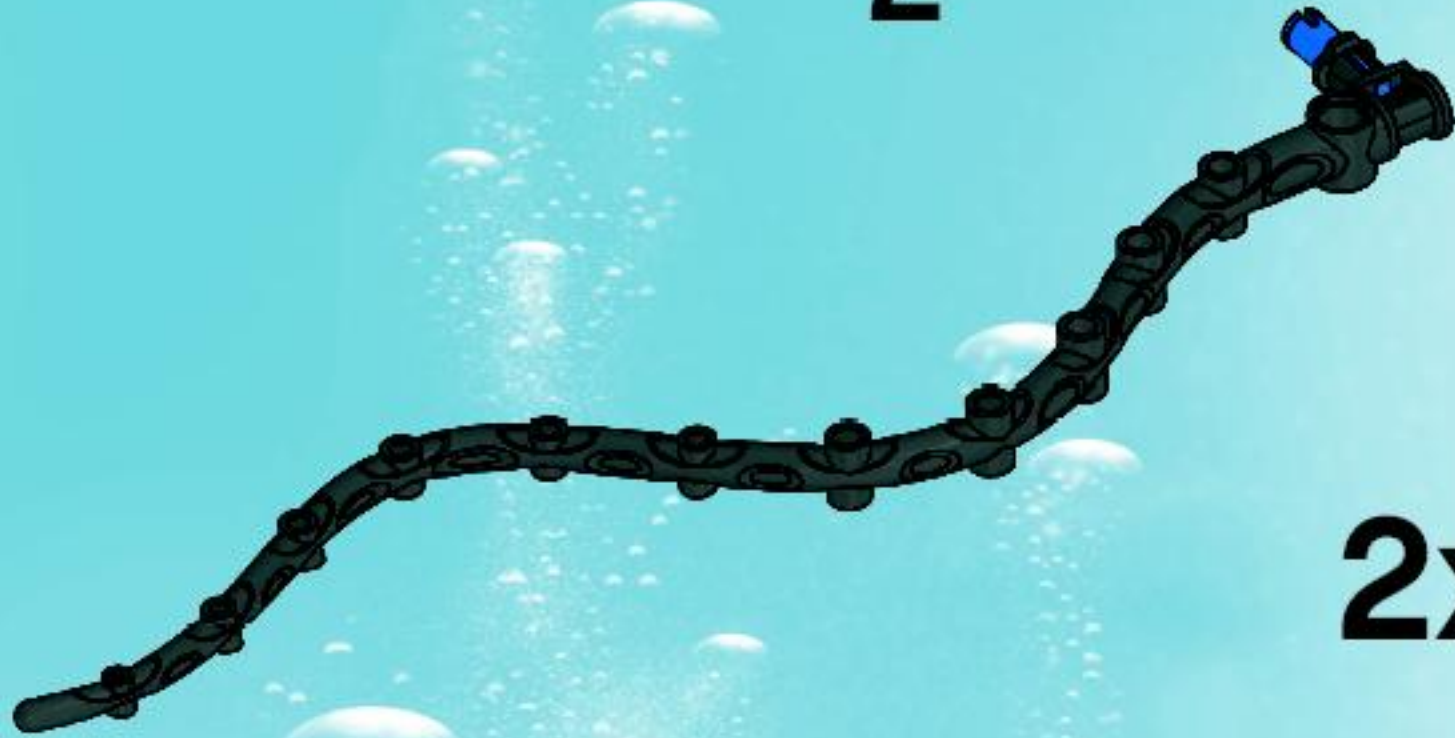


32

1



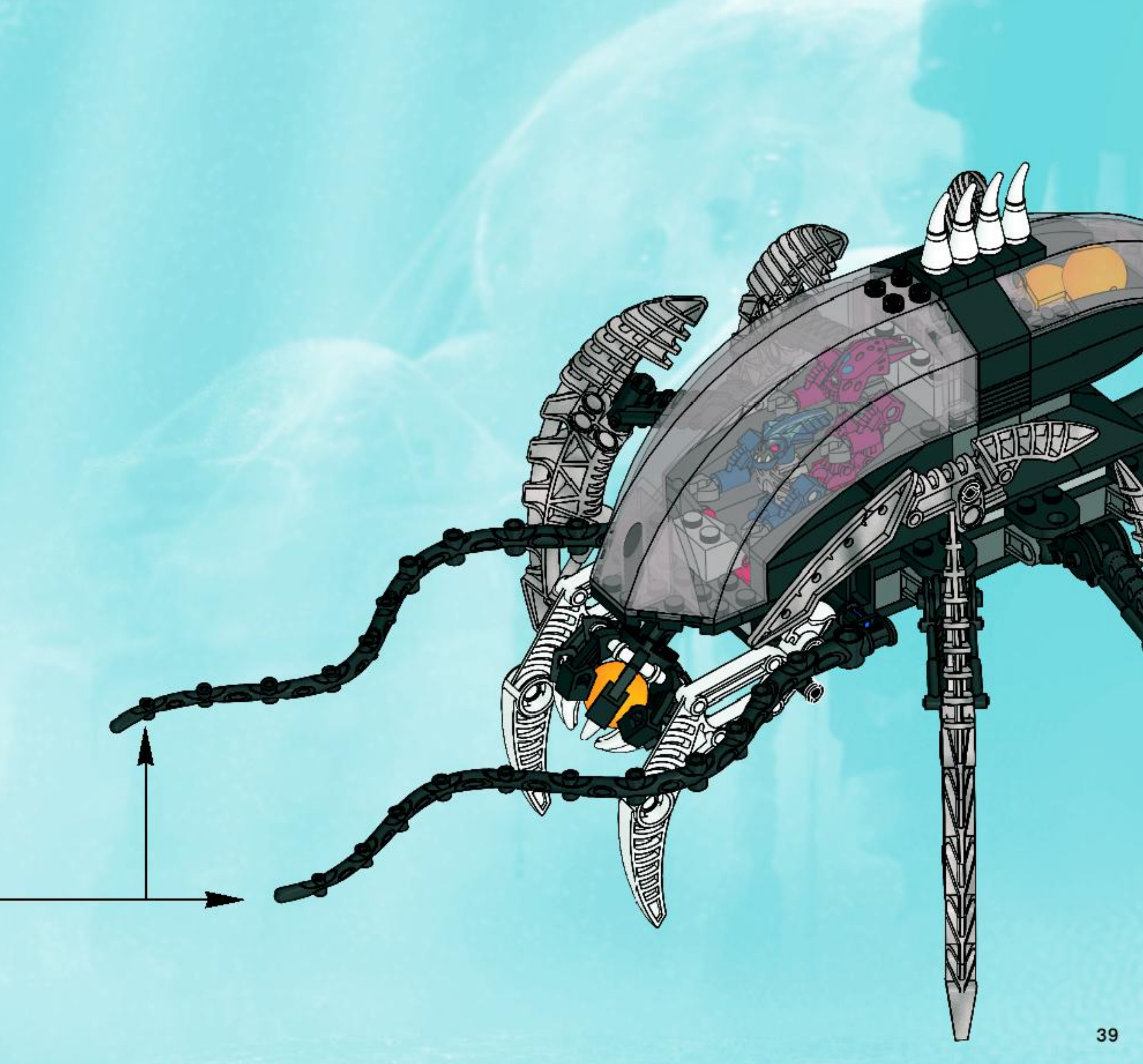
2



2x

---







12x  
4273397



4x  
458901



1x  
3003301



2x  
4508600



1x  
4288366



1x  
4161245



2x  
4505944



1x  
4505625



1x  
4296943



1x  
4142865



4x  
4276053



2x  
74335



4x  
379421



2x  
371021



3x  
4206482



1x  
4506604



2x  
4505945



1x  
4505618



1x  
4294538



4x  
4294145



2x  
4497943



1x  
4190263



2x  
4502597



2x  
4505946



1x  
4505626



1x  
4294541



2x  
4140801



4x  
4121610



2x  
4505940



8x  
4294996



4x  
4160393



2x  
4160409



2x  
300826



1x  
4181144



1x  
4506602



2x  
4107081



6x  
4121715



2x  
367526



1x  
241926



6x  
317626



1x  
4113805



1x  
4505621



1x  
4294543



2x  
4492779



4x  
379426



2x  
366626

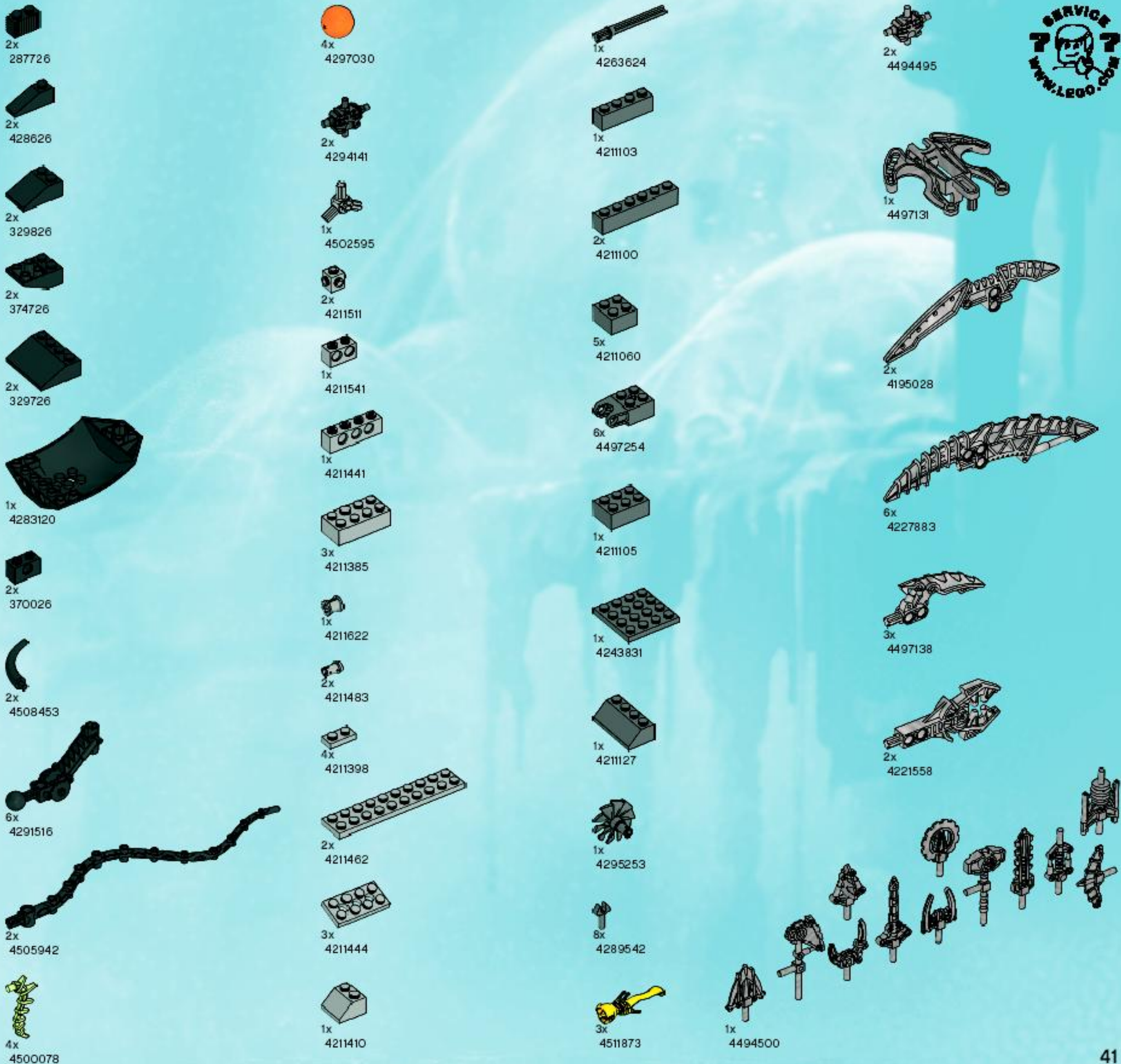


1x  
403226



2x  
303326





2x  
287726

2x  
428626

2x  
329826

2x  
374726

2x  
329726

1x  
4283120

2x  
370026

2x  
4508453

6x  
4291516

2x  
4505942

4x  
4500078

4x  
4297030

2x  
4294141

1x  
4502595

2x  
4211511

1x  
4211541

1x  
4211441

3x  
4211385

1x  
4211622

2x  
4211483

4x  
4211398

2x  
4211462

3x  
4211444

1x  
4211410

1x  
4263624

1x  
4211103

2x  
4211100

5x  
4211060

6x  
4497254

1x  
4211105

1x  
4243831

1x  
4211127

1x  
4295253

8x  
4289542

3x  
4511873

2x  
4494495

1x  
4497131

2x  
4195028

6x  
4227883

3x  
4497138

2x  
4221558

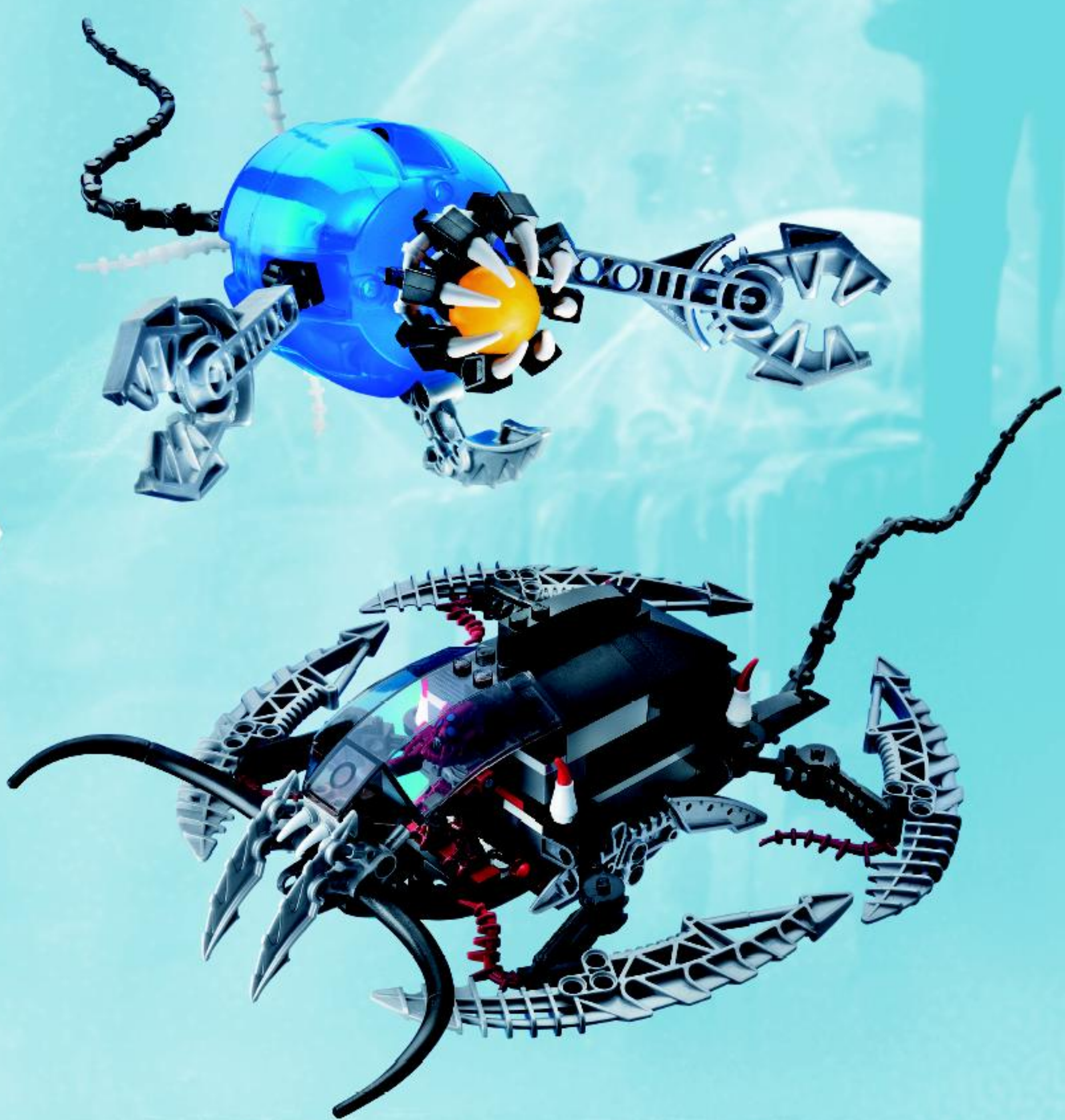
1x  
4494500















8922  
Gadunka

8923  
Hydraxon

8924  
Maxilos & Spinax





## BIONICLE

STORY PRODUCTS FUN ZONE KANOKA CLUB

### BARRAKI

PLAY MOVIE

### BARRAKI LOG

Among the most dangerous creatures in these waters are Takeda sharks, giant squid, and venom eels.

USERNAME: steveincorp45  
AGE: 17  
COUNTRY: United States  
CREATION: 100 100  
DESCRIPTION: My avatar can't move because for an hour...

http://www.lego.com - BIONICLE The Official Web Site

http://www.lego.com - BIONICLE The Official Web Site



#### NEW PRODUCTS

Merciless and armed to the fangs with Squid ammo, the Barraki know what they want and stop at nothing to get it! Join in the quest for the Mask with all the new characters.

#### NEW GAME

Escape the vile creatures prowling in the seaweed in this hostile trench of darkness...

#### GALLERY

What else may be lurking beneath the surface? See what other BIONICLE fans have created and let us know your thoughts!



Introducing BIONICLE Story.com  
New Kanoka Club website!  
New Products: Barraki





# Win! Gagne! 当たります Gewinne!

## Win LEGO products

We would like to know what you think about your new LEGO product. Log on to the web address below for further instructions.

## Gagne des produits LEGO

Nous aimerions savoir ce que tu penses de ton nouveau produit LEGO. Tu obtiendras davantage d'informations en visitant le site Internet indique ci-dessous.

## Gewinne LEGO produkte

Wir sind sehr an deiner Meinung über dein neues LEGO Produkt interessiert. Gehe einfach zu der unten angegebenen Webadresse – dort findest du weitere Informationen.

## Estimado usuario LEGO

Al contestar algunas preguntas en inglés, francés, alemán o japonés, en el sitio [www.acnielsen.aim.dk/lego](http://www.acnielsen.aim.dk/lego), podrás participar en el sorteo de algunos valiosos premios LEGO.

## Caro Consumidor da LEGO

Ao responder a algumas perguntas em Inglês, Francês, Alemão ou Japonês no endereço [www.acnielsen.aim.dk/lego](http://www.acnielsen.aim.dk/lego) irá participar num concurso para ganhar valiosos prémios da LEGO.

## Kedves ifjú LEGO Vásárló

Ha ellátogatsz a [www.acnielsen.aim.dk/lego](http://www.acnielsen.aim.dk/lego) honlapra és ott angol, francia, német vagy japán nyelven megválaszolsz néhány kérdést, akkor részt veszel egy versenyben, amelyben értékes LEGO díjakat nyerhetsz.

## 抽選でレゴの製品が当たります

私たちは、皆さんがお買い求めのレゴ製品についてどんな感想をお持ちか、知りたいと思っています。質問に答えて、楽しいレゴ製品の抽選に応募しませんか。アンケートの回答には、ほんの3分ほどしかかかりません！詳しくは、以下のウェブアドレスまでアクセスしてください。

[www.acnielsen.aim.dk/LEGO](http://www.acnielsen.aim.dk/LEGO)



Any questions regarding your new LEGO product, please contact:

**Customer Service | Kundenservice**

**Service Consommateurs | Servicio Al Consumidor**

**at [www.lego.com/service](http://www.lego.com/service) or dial**

 : 00800 5346 5555

 : 1-800-422-5346





# club™

FREE LEGO Magazine • GRATUIT • GRATIS LEGO Magazin



## Join Today!

## Abonne-toi dès aujourd'hui !

## Meld je nu aan!

## Jetzt anmelden!

  US & Canada only

1-866-534-6258 / 1-877-518-5346  
(en Français)

00800 5346 5555      

# www.LEGOclub.com



VISIT THE  
WORLD'S BIGGEST  
LEGO® SHOP!  
[www.LEGOshop.com](http://www.LEGOshop.com)





**8927**  
Toa Terrain Crawler



**8926**  
Toa Undersea Attack



**8925**  
Barraki Deepsea Patrol